

1A2

9501 PULL-TYPE COMBINE

H41820 -UN-01JAN94



JOHN DEERE 9501 PULL-TYPE COMBINE WITH BELT PICKUP AND PICKUP PLATFORM

(635401-645700)

(SPECIFICATIONS AND DESIGN SUBJECT TO CHANGE WITHOUT NOTICE)

1A3

9501 PULL-TYPE COMBINE

NOTE

FOR THREE-ROLLER BELT PICKUP PARTS INFORMATION, REFER TO JOHN DEERE THREE-ROLLER BELT PICKUP PARTS CATALOG - PC-1189.

IMPORTANT

THIS PARTS CATALOG CONTAINS INFORMATION FOR THE 9501 PULL-TYPE COMBINE. VINTAGE IS DETERMINED BY THE COMBINE SERIAL NUMBER OF THE PRODUCT IDENTIFICATION NUMBER (PIN). IT IS IMPORTANT THAT THE CORRECT NUMBERS BE USED WHEN ORDERING PARTS.

PRODUCT INFORMATION NUMBER (PIN) PLATE

THE PRODUCT INFORMATION PLATE (PIN) IS LOCATED IS LOCATED ON LEFT-HAND SIDE ABOVE REAR AXLE. AN EXAMPLE OF THE TWO-LINES ON THIS PIN PLATE IS:

HO9501X635401
COMBINE

(FIRST LINE)

HO - MANUFACTURING UNIT (HARVESTER WORKS)
9501 - MODEL IDENTIFIER
X - CONFIGURATION CODE/MODEL IDENTIFIER SUFFIX
635401 - SEQUENTIAL NUMBER USED IN SERIAL NO. COLUMN

(SECOND LINE)

COMBINE - TYPE OF PRODUCT

PARTS LISTING INFORMATION

SERIAL NUMBER OR PRODUCT IDENTIFICATION NUMBER (PIN) INFORMATION SHOWS ON WHICH MACHINES PART MAY BE USED; FOR EXAMPLE:

- THE PART CAN BE USED ON ALL MACHINES.
- 000000 THE PART CAN BE USED ON ALL MACHINES UP TO AND INCLUDING THE SERIAL NUMBER LISTED.
- 000000- THE PART CAN BE USE ON ALL MACHINES BEGINNING WITH THE SERIAL NUMBER LISTED.
- 000000-000000 THE PART CAN BE USED ON ALL MACHINES BETWEEN AND INCLUDING SERIAL NUMBERS LISTED.

1A4

9501 PULL-TYPE COMBINE

DIRECTION ARROW

ARROWS ARE USED WITH ILLUSTRATIONS TO INDICATE THE FRONT OF THE UNIT. "RIGHT-HAND" AND "LEFT-HAND" SIDES ARE DETERMINED BY FACING IN THE DIRECTION OF MACHINE FORWARD TRAVEL.

BOX-ENCLOSED ILLUSTRATIONS

A KEY NUMBER, SHOWN IN THE PARTS LIST, IS ASSIGNED TO A BOX ENCLOSING ALL PARTS SOLD AS A SERVICE ASSEMBLY. A BOX NOT KEYED INCLUDES NON-CURRENT PARTS.

KITS

KIT INFORMATION WILL BE FOUND IMMEDIATELY FOLLOWING THE STORY IN WHICH IT IS USED. THE ILLUSTRATION IS REPEATED WITH ONLY THE KIT PARTS CALLED OUT AND WITH ALL OTHER PARTS SHOWN IN PHANTOM.

JDM REMANUFACTURED COMPONENTS

THE SERVICE PARTS LISTED IN THIS CATALOG ARE INTENDED FOR THE REPAIR OF ORIGINAL EQUIPMENT COMPONENTS. ALTHOUGH MOST SERVICE PARTS MAY BE USED TO REPAIR REMANUFACTURED COMPONENTS, THE REMANUFACTURED DESIGN MAY CHANGE PARTS SUFFICIENTLY SO THAT SERVICE PARTS ARE INADEQUATE OR NOT USABLE.

BOLT AND CAP SCREW STRENGTH IDENTIFICATION

BOLTS AND CAP SCREWS REQUIRED TO HAVE HIGH-STRENGTH QUALITIES EQUIVALENT TO SAE GRADE 8 ARE IDENTIFIED THROUGHOUT THIS CATALOG BY THE DESCRIPTION HS SAE 8. ALL STANDARD BOLTS AND CAP SCREWS ARE SAE GRADE 5 OR LOWER. BOLTS AND CAP SCREWS REQUIRED TO HAVE HIGH-STRENGTH QUALITIES EQUIVALENT TO PROPERTY CLASS 10.9 ARE IDENTIFIED THROUGHOUT THIS CATALOG BY THE DESCRIPTION HS 10.9. ALL STANDARD BOLTS AND CAP SCREWS ARE PROPERTY CLASS 8.8 OR LOWER.

SI UNITS OF MEASURE

METRIC DIMENSIONS ARE GIVEN, WHERE APPLICABLE, THROUGHOUT THIS PARTS CATALOG.

TRADEMARKS

THROUGHOUT THIS PARTS CATALOG, YOU WILL FIND THE FOLLOWING DEERE & COMPANY TRADEMARKS:

DIAL-A-SPEED™
DIAL-A-MATIC™
HARVESTRAK™

POSI-TORQ™
TORQ-GARD SUPREME®
QUIK-TATCH™

CHANGE INDICATOR LINE

CHANGES AFFECTING THE ORDERING OF PARTS ARE IDENTIFIED BY VERTICAL LINES MARKED IN THE LEFT-HAND MARGIN OF REVISED PARTS LISTING IMAGES. A LINE IS ALSO AT THE LEFT-HAND EDGE OF THE SAME PART NUMBER IN THE NUMERICAL INDEX TO SHOW THE LOCATION OF REVISED INFORMATION.

FUNCTION CODE

(EXAMPLE - FC: 5000)

FUNCTION CODES ARE LOCATED ON EACH PAGE IN THE UPPER RIGHT-HAND CORNER ON THE TITLE LINE. THE CODE LISTED IS A GROUPING CODE THAT CAN BE USED FOR WARRANTIES AND FOR DTAC TO IDENTIFY CERTAIN AREAS.

COMPLETE GOODS LISTINGS

COMPLETE GOODS ARE IN BOLD FACE TYPE. ORDER SEPARATELY. DO NOT INCLUDE ON REPLACEMENT PARTS ORDER.

1A5

9501 PULL-TYPE COMBINE

SECTIONAL INDEX

	SECTION
GENERAL INFORMATION.	10
ELECTRICAL	40
POWER TRAIN	50
HYDRAULICS	70
SEPARATOR SHELL	80
HEADERS - REFER TO INDIVIDUAL HEADER PARTS CATALOGS.	100
FEEDER HOUSE	110
SEPARATOR	120
CLEAN GRAIN ELEVATOR, GRAIN TANK AND UNLOADING AUGER	130
HEADER HEIGHT CONTROL.	160
DECALS, BELTS AND CHAINS	170
NUMERICAL INDEX.	180

1A6

9501 PULL-TYPE COMBINE

ALPHABETICAL INDEX

GRID		PAGE	GRID		PAGE
A					
1F23	ACCESS DOOR	80-4	2K9	BELTS, STRAW SPREADER	170-3
1E6	ACCUMULATOR, SINGLE	70-20	2K9	BELTS, UNLOADING AUGERS.....	170-3
1E6	ACCUMULATOR, SINGLE MOUNTING BRACKET	70-20	2K10	BELTS, UNLOADING SYSTEM	170-4
1I9	ACTUATOR, REVERSER.....	110-28	2K10	BELTS, UPPER TAILINGS AUGER	170-4
1E16	ADJUSTABLE STOP KIT, HEADER LIFT MODULE, SOLENOID CONTROL VALVES	70-32	1E19	BI-DIRECTIONAL MODULE, SOLENOID CONTROL VALVE, CYLINDER SPEED	70-35
2D19	ADJUSTING BRACKET, CYLINDER DRIVE, DUAL-RANGE	120-76	1C5	BOARDS, ELECTRONIC	40-42
1C3	ADJUSTING MOTOR, CONCAVE	40-40	2H24	BOOT, CLEAN GRAIN LOWER ELEVATOR	130-4
1C1	ADJUSTING MOTOR, SEPARATOR FAN DRIVE	40-38	1A22	BOX, CONTROL, HARDWARE KIT	40-8
2D11	ARM, LOCKOUT, DUAL-RANGE	120-68	1A18	BOX, MAIN CONTROL.....	40-4
1E24	ARMATURE KIT, SOLENOID CONTROL VALVE DOUBLE PILOTED MODULE, AUGER SWING.....	70-40	1H5	BOX, TOOL.....	80-36
1F2	ARMATURE KIT, SOLENOID CONTROL VALVE DOUBLE PILOTED MODULE, GRAIN TANK UN.....	70-43	1I1	BRACKET, FEEDER CONVEYOR.....	110-20
1E20	ARMATURE KIT, SOLENOID CONTROL VALVE, CYLINDER SPEED	70-36	1E6	BRACKET, SINGLE ACCUMULATOR MOUNTING	70-20
2J20	AUGER COVERS AND CHANNEL, CROSS	130-50	1B8	BRACKET, STRAW CHOPPER SENSOR	40-20
1G9	AUGER DRIVE MUD SHIELDS (R-H SIDE).....	80-14	2B9	BRACKETS, CONCAVE INDICATOR	120-18
2H13	AUGER DRIVE SHIELD, UPPER TAILINGS	120-168	1B14	BRACKETS, LOW SHAFT SPEED MONITORS	40-26
2H13	AUGER DRIVE, UPPER TAILINGS.....	120-168	1B1	BRACKETS, MAIN HITCH HARNESS	40-12
2J13	AUGER HOUSING, HORIZONTAL UNLOADING (14- AND 17-FT.)	130-43	1B3	BRACKETS, MAIN HITCH HARNESS	40-14
2I7	AUGER HOUSING, LOADING, UPPER CLEAN GRAIN.....	130-12	1F6	BRACKETS, SOLENOID CONTROL VALVE	70-48
1E23	AUGER SWING, SOLENOID CONTROL VALVE DOUBLE PILOTED	70-39	1A16	BRKT., MTG., CONTROL BOX, DIAL-A-MATIC	40-2
2J7	AUGER SWIVEL SUPPORT AND BRACES.....	130-36	C		
2H1	AUGER TROUGH, LOWER TAILINGS	120-154	1C13	CABLE, WIRING.....	40-50
1F11	AUGER UNLOADING ENAGAGE SYSTEM	70-54	1C25	CASE, GEAR	50-9
2J3	AUGER, GRAIN TANK, VERTICAL UNLOADING	130-32	2J1	CASE, VERTICAL AUGER LOWER GEAR	130-30
2J14	AUGER, HORIZONTAL UNLOADING (14- AND 17-FT.)	130-44	2G11	CHAFF SPREADER CONTROL, ROD AND KNOB	120-140
2I9	AUGER, LOADING, CLEAN GRAIN	130-14	2G1	CHAFF SPREADER DISC AND DRIVE BELT	120-130
2G23	AUGER, LOWER TAILINGS	120-152	2G3	CHAFF SPREADER FRAME, SHIELDS AND HANDLES	120-132
2K11	AUGER, LOWER TAILINGS, BELTS	170-5	2G13	CHAFF SPREADER LINES AND FITTINGS.....	120-142
2H13	AUGER, UPPER TAILINGS.....	120-168	2G7	CHAFF SPREADER MOUNTING SUPPORT	120-136
2J18	AUGERS, GRAIN TANK CROSS	130-48	2G5	CHAFF SPREADER PAN AND SEALS.....	120-134
2B15	AUGERS, SHOE GRAIN SUPPLY AND HOUSING	120-24	2G15	CHAFF SPREADER, HOSES, LINES AND MOTOR	120-144
2B17	AUGERS, SHOE GRAIN SUPPLY AND HOUSING	120-26	2G17	CHAFF SPREADER, MOTOR	120-146
B			2G19	CHAFF SPREADER, PUMP.....	120-148
2I21	BASE, GRAIN TANK	130-26	2G21	CHAFF SPREADER, PUMP SEAL KIT.....	120-150
2H5	BEARINGS, TAILINGS ELEVATOR CONVEYOR.....	120-158	2C3	CHAFFER ELEMENT	120-36
2K10	BEATER BELTS SHEAVES.....	170-4	2C5	CHAFFER EXTENSION ELEMENT.....	120-38
2B13	BEATER COVER	120-22	2C7	CHAFFER FRAME	120-40
2E5	BEATER DRIVE SHEAVES AND TIGHTENER	120-86	2C1	CHAFFER FRAME, PRE-CLEANER	120-34
2B11	BEATER SHAFT AND DRIVE BELT	120-20	2B23	CHAFFER, PRE-CLEANING	120-32
2J23	BELT GUIDE, UNLOADING AUGER DRIVE	130-54	2H12	CHAIN TIGHTENER, UPPER TAILINGS DRIVE	120-166
2E17	BELT PICKUP / REEL DRIVE, PUMP MOUNTING SHEAVE	120-98	2I1	CHAIN, CONVEYOR, CLEAN GRAIN LOWER ELEVATOR.....	130-6
1F17	BELT TIGHTENING CYLINDER	70-60	1I1	CHAIN, FEEDER CONVEYOR DRIVE	110-20
2B11	BELT, DRIVE, SHAFT AND BEATER.....	120-20	2H5	CHAIN, TAILINGS ELEVATOR CONVEYOR	120-158
2K10	BELTS, BEATER	170-4	2J20	CHANNEL, CROSS AUGER	130-50
2K11	BELTS, CLEAN GRAIN ELEVATOR	170-5	2J3	CHARGE HOUSING, VERTICAL UNLOADING AUGER	130-32
2K11	BELTS, CYLINDER DRIVE	170-5	2G9	CHOPPER DRIVE IDLER	120-138
2K11	BELTS, DRIVE, CYLINDER INTERMEDIATE	170-5	2E23	CHOPPER DRIVE SHIELDS, STRAW (-640400)	120-104
2K9	BELTS, FAN, CLEANING.....	170-3	2I1	CLEAN GRAIN CONVEYOR CHAIN	130-6
2K9	BELTS, FEEDER HOUSE	170-3	2I13	CLEAN GRAIN ELEVATOR DRIVE IDLER.....	130-18
2K9	BELTS, HEADER AND REEL	170-3	2I13	CLEAN GRAIN ELEVATOR DRIVE TIGHTENER.....	130-18
2K10	BELTS, LOWER TAILINGS AUGER	170-4	2I13	CLEAN GRAIN ELEVATOR DRIVE TIGHTENER AND IDLER	130-18
2K11	BELTS, LOWER TAILINGS AUGER.....	170-5	2I11	CLEAN GRAIN ELEVATOR GEARCASE	130-16
2K9	BELTS, STRAW CHOPPER.....	170-3	2I15	CLEAN GRAIN ELEVATOR SHIELDS, UPPER (-640400)	130-20
			2I17	CLEAN GRAIN ELEVATOR SHIELDS, UPPER (640401-)	130-22
			2I5	CLEAN GRAIN ELEVATOR UPPER SHAFT	130-10
			2I5	CLEAN GRAIN ELEVATOR UPPER SHAFT, SPROCKET AND SHEAVE	130-10
			2I5	CLEAN GRAIN ELEVATOR UPPER SHEAVE	130-10

ALPHABETICAL INDEX - CONTINUED

<i>GRID</i>		<i>PAGE</i>	<i>GRID</i>		<i>PAGE</i>
2I5	CLEAN GRAIN ELEVATOR UPPER SPROCKET	130-10	1E11	CYLINDER SPEED HYDRAULIC LINES AND HOSES	70-26
2I3	CLEAN GRAIN ELEVATOR, UPPER	130-8	1E20	CYLINDER SPEED SOLENOID CONTROL VALVE ARMATURE KIT	70-36
2I9	CLEAN GRAIN LOADING AUGER	130-14	1E21	CYLINDER SPEED SOLENOID CONTROL VALVE POPPET KIT	70-37
2I7	CLEAN GRAIN LOADING AUGER HOUSING, UPPER	130-12	1E19	CYLINDER SPEED, SOLENOID CONTROL VALVE	70-35
2H22	CLEAN GRAIN LOWER AUGER	130-2	1E4	CYLINDER, HEADER LIFT, HYDRAULIC	70-18
2H22	CLEAN GRAIN LOWER AUGER AND HINGED DOOR	130-2	1F18	CYLINDER, HITCH TUBE HYDRAULIC	70-61
2H24	CLEAN GRAIN LOWER ELEVATOR	130-4	1F17	CYLINDER, HYDRAULIC BELT TIGHTENING	70-60
2I1	CLEAN GRAIN LOWER ELEVATOR	130-6	1F9	CYLINDER, HYDRAULIC, UNLOADING AUGER SWING, LINES AND HOSES	70-52
2I1	CLEAN GRAIN LOWER ELEVATOR AND CONVEYOR CHAIN	130-6	2B3	CYLINDER, THRESHING, RASP BAR	120-12
2H24	CLEAN GRAIN LOWER ELEVATOR BOOT AND DOOR ..	130-4	1F13	CYLINDER, UNLOADING AUGER SWING HYDRAULIC	70-56
2E7	CLEANING FAN DRIVE, SEPARATOR	120-88			
2B19	CLEANING FAN INTAKE SHIELDS	120-28	D		
2B21	CLEANING FAN INTAKE SHIELDS	120-30	2K15	DECALS, FRONT	170-10
2B19	CLEANING FANS AND SHROUDS	120-28	2K13	DECALS, LEFT-HAND	170-8
2B21	CLEANING FANS AND SHROUDS	120-30	2K15	DECALS, REAR	170-10
2A18	CLEANOUT DOOR, CONVEYOR AUGER, HANDLE AND LATCHES	120-2	2K12	DECALS, RIGHT-HAND	170-7
1H13	CLEANOUT DOORS, FEEDER HOUSE	110-8	2F3	DECK, SUPPORTS AND FINS, STRAW CHOPPER	120-108
2D3	CLUTCH, HEADER ELECTOMAGNETIC	120-60	2F17	DEFLECTORS AND CORN CURTAIN	120-122
1I7	CLUTCH, SLIP, FEEDER HOUSE	110-26	2K5	DIAL-A-MATIC ELECTRICAL HARNESS	160-4
1C3	CONCAVE ADJUSTING MOTOR	40-40	2G1	DISC AND DRIVE BELT, CHAFF SPREADER	120-130
2B9	CONCAVE INDICATOR, BRACKETS	120-18	1F23	DOOR, ACCESS	80-4
2B5	CONCAVE, RASP BAR AND GRATE	120-14	2F19	DOOR, CHOPPER STRAW	120-124
2B7	CONCAVE, RASP BAR AND GRATE	120-16	2H22	DOOR, CLEAN GRAIN LOWER AUGER	130-2
1C7	CONNECTORS, ELECTRICAL, WEATHERPACK	40-44	2H24	DOOR, CLEAN GRAIN LOWER ELEVATOR	130-4
1C15	CONNECTORS, SUPPLEMENTARY TERMINALS	40-52	1G24	DOOR, CORNER SHEET, LEFT - HAND FRONT	80-30
1A22	CONTROL BOX HARDWARE KIT	40-8	2A24	DOOR, CYLINDER	120-8
1A16	CONTROL BOX HOUSING, DIAL-A-MATIC	40-2	1G16	DOOR, L.H. GULL WING	80-22
1A16	CONTROL BOX WIRING HARNESS, DIAL-A-MATIC	40-2	2F19	DOOR, STRAW CHOPPER	120-124
1A18	CONTROL BOX, MAIN	40-4	1G18	DOORS, R.H. GULL WING	80-24
1A20	CONTROL BOX, MAIN, HARVESTRAK	40-6	1E23	DOUBLE PILOTED, AUGER SWING, SOLENOID CONTROL VALVE	70-39
2A18	CONVEYOR AUGER CLEANOUT DOOR, HANDLE AND LATCHES	120-2	1F1	DOUBLE PILOTED, GRAIN TANK UNLOADING, SOLENOID CONTROL VALVE	70-42
2E3	CONVEYOR AUGERS, STRAW WALKER, SIEVE AND CHAFFER DRIVE	120-84	1C17	DRAWBAR EXTENSION	50-1
2I1	CONVEYOR CHAIN, CLEAN GRAIN	130-6	2G1	DRIVE BELT AND DISC, CHAFF SPREADER	120-130
2F17	CORN CURTAIN AND DEFLECTORS	120-122	2J23	DRIVE BELT GUIDE, UNLOADING AUGER	130-54
1G20	CORNER SHEET, R H FRONT	80-26	2H6	DRIVE BRACKET, TAILINGS	120-159
1G22	CORNER SHEET, REAR, L H	80-28	2H12	DRIVE CHAIN TIGHTENER, UPPER TAILINGS	120-166
2D21	COUNTERSHAFT DRIVE, SECONDARY	120-78	2E1	DRIVE GEARCASE, STRAW WALKER	120-82
2J21	COUNTERSHAFT DRIVE, UNLOADING AUGER	130-52	2I13	DRIVE IDLER, CLEAN GRAIN ELEVATOR	130-18
2B13	COVER, BEATER	120-22	1G12	DRIVE SHIELD, R.H. REAR	80-18
2A20	COVER, THRESHING CYLINDER	120-4	1H11	DRIVE SHIELDS, SAFETY STOP, FEEDER HOUSE	110-6
2J20	COVERS AND CHANNEL, CROSS AUGER	130-50	2E23	DRIVE SHIELDS, STRAW CHOPPER (-640400)	120-104
2C21	CRANKS, STRAW WALKER, STRAW SPREADER DRIVE AND SHIELD	120-54	2F1	DRIVE SHIELDS, STRAW CHOPPER (640401-)	120-106
2J16	CROSS AUGER BEARING PLATE, L.H.	130-46	2I13	DRIVE TIGHTENER, CLEAN GRAIN ELEVATOR	130-18
2J20	CROSS AUGER COVERS AND CHANNEL	130-50	2E15	DRIVE TIGHTENER, FEEDER HOUSE	120-96
2J18	CROSS AUGERS, GRAIN TANK	130-48	1H9	DRIVE TIGHTENER, FIXED SPEED FEEDER HOUSE	110-4
1F21	CROSS BRACES, SEPARATOR	80-2	2E17	DRIVE, BELT PICKUP / REEL PUMP MOUNTING SHEAVE	120-98
2C23	CURTAIN, SEPARATOR	120-56	2E7	DRIVE, CLEANING FAN, SEPARATOR	120-88
2D1	CURTAIN, SEPARATOR	120-58	2J21	DRIVE, COUNTERSHAFT, UNLOADING AUGER	130-52
2A20	CYLINDER COVER, THRESHING	120-4	2K11	DRIVE, CYLINDER INTERMEDIATE, BELTS	170-5
2A24	CYLINDER DOOR	120-8	2K11	DRIVE, CYLINDER, BELTS	170-5
2D19	CYLINDER DRIVE ADJUSTING BRACKET, DUAL-RANGE	120-76	2E13	DRIVE, FAN, SPEED CONTROL SHEAVE LINKAGE	120-94
2D9	CYLINDER DRIVE GEAR CASE, DUAL-RANGE	120-66	2D23	DRIVE, GEARCASE, STRAW WALKER	120-80
2D15	CYLINDER DRIVE INTERMEDIATE SHAFT MOUNTING, DUAL-RANGE	120-72	1D1	DRIVE, LOWER IDLER	50-10
2D17	CYLINDER DRIVE INTERMEDIATE SHEAVE, DUAL-RANGE	120-74	1D5	DRIVE, MAIN, IDLER	50-14
1E22	CYLINDER DRIVE SOLENOID CONTROL VALVE RELIEF KIT	70-38			
2D13	CYLINDER DRIVE TIGHTENER, DUAL-RANGE	120-70			
2D7	CYLINDER DRIVE, SINGLE RANGE	120-64			
2B1	CYLINDER SHEAR BAR	120-10			

ALPHABETICAL INDEX - CONTINUED

<i>GRID</i>		<i>PAGE</i>	<i>GRID</i>		<i>PAGE</i>
1D20	DRIVE, REEL, FLOW CONTROL VALVE	70-8	1H11	FEEDER HOUSE DRIVE SHIELDS AND SAFETY STOP	110-6
2D21	DRIVE, SECONDARY COUNTERSHAFT	120-78	2E15	FEEDER HOUSE DRIVE TIGHTENER	120-96
2E19	DRIVES, STRAW CHOPPER (FRONT)	120-100	1H9	FEEDER HOUSE DRIVE TIGHTENER (FIXED SPEED).....	110-4
2E21	DRIVES, STRAW CHOPPER (REAR).....	120-102	1H23	FEEDER HOUSE FLOOR	110-18
1B20	DUAL LEVEL MONITOR	40-32	1H13	FEEDER HOUSE FRAME	110-8
1B20	DUAL LEVEL MONITOR WIRING HARNESS	40-32	1H21	FEEDER HOUSE FRONT DRIVE SHAFT, SHEAVE AND MOUNTINGS (FIXED SPEED WITH	110-16
2D19	DUAL-RANGE CYLINDER DRIVE ADJUSTING BRACKET	120-76	1I7	FEEDER HOUSE SLIP CLUTCH	110-26
2D9	DUAL-RANGE CYLINDER DRIVE GEAR CASE	120-66	1H17	FEEDER HOUSE UPPER DRIVE SHAFT, SHEAVE AND MOUNTING (FIXED SPEED WITH	110-12
2D15	DUAL-RANGE CYLINDER DRIVE INTERMEDIATE SHAFT MOUNTING	120-72	1H15	FEEDER HOUSE UPPER SHAFT.....	110-10
2D17	DUAL-RANGE CYLINDER DRIVE INTERMEDIATE SHEAVE	120-74	2A22	FEEDER HOUSE/SEPARATOR SEAL, STONE TRAP AND DOOR	120-6
2D13	DUAL-RANGE CYLINDER DRIVE TIGHTENER.....	120-70	1E1	FILTER, MAIN HYDRAULIC.....	70-14
2D11	DUAL-RANGE LOCKOUT ARM.....	120-68	2F3	FINS, SUPPORTS AND DECK, STRAW CHOPPER	120-108
E					
1C9	ELECTRICAL CONNECTOR SERVICE KIT	40-46	1H9	FIXED SPEED FEEDER HOUSE DRIVE TIGHTENER	110-4
1C11	ELECTRICAL CONNECTOR SERVICE KIT	40-48	1H23	FLOOR, FEEDER HOUSE	110-18
2K5	ELECTRICAL HARNESS, DIAL-A-MATIC	160-4	1D20	FLOW CONTROL VALVE, REEL DRIVE	70-8
1C7	ELECTRICAL TERMINALS AND CONNECTORS, WEATHERPACK	40-44	2C7	FRAME, CHAFFER	120-40
2D3	ELECTROMAGNETIC CLUTCH, HEADER	120-60	1H13	FRAME, FEEDER HOUSE.....	110-8
1C5	ELECTRONIC BOARDS.....	40-42	1F21	FRAME, SEPARATOR.....	80-2
1C5	ELECTRONIC HOUSING ASSEMBLY AND ELECTRONIC BOARDS	40-42	2G3	FRAME, SHIELDS AND HANDLES, CHAFF SPREADER.....	120-132
2C3	ELEMENT, CHAFFER	120-36	2C11	FRAME, SIEVE.....	120-44
2C5	ELEMENT, CHAFFER EXTENSION	120-38	1B22	FRONT AND REAR TURN AND TAIL LIGHTS	40-34
2C9	ELEMENT, SIEVE	120-42	1G20	FRONT CORNER SHEET, R H.....	80-26
2I13	ELEVATOR DRIVE IDLER, CLEAN GRAIN	130-18	1H13	FRONT FEEDER HOUSE	110-8
2I13	ELEVATOR DRIVE TIGHTENER, CLEAN GRAIN	130-18	G		
2I15	ELEVATOR SHIELDS, UPPER CLEAN GRAIN (-640400)	130-20	1H7	GEAR BOX, REVERSER	110-2
2I17	ELEVATOR SHIELDS, UPPER CLEAN GRAIN (640401-)	130-22	1C25	GEAR CASE	50-9
2K11	ELEVATOR, CLEAN GRAIN BELTS	170-5	2D9	GEAR CASE, DUAL-RANGE CYLINDER DRIVE	120-66
2H24	ELEVATOR, LOWER, CLEAN GRAIN	130-4	2J1	GEAR CASE, VERTICAL AUGER LOWER	130-30
2I1	ELEVATOR, LOWER, CLEAN GRAIN	130-6	1C25	GEAR CASE, WITH GEARS AND SHAFTS.....	50-9
2I3	ELEVATOR, UPPER CLEAN GRAIN	130-8	2D23	GEARCASE DRIVE, STRAW WALKER	120-80
2C5	EXTENSION ELEMENT, CHAFFER	120-38	1D3	GEARCASE TOP IDLER	50-12
1C17	EXTENSION, DRAWBAR.....	50-1	2I11	GEARCASE, CLEAN GRAIN ELEVATOR.....	130-16
2I23	EXTENSIONS, GRAIN TANK	130-28	2E1	GEARCASE, DRIVE, STRAW WALKER.....	120-82
F					
1G11	FAN DRIVE SHIELD (L-H SIDE).....	80-16	2J11	GEARCASE, HORIZONTAL UNLOADING AUGER DRIVE	130-40
1G11	FAN DRIVE SHIELDS (L-H SIDE).....	80-16	2I21	GRAIN TANK BASE	130-26
2E9	FAN DRIVE SPEED CONTROL LINKAGE (-640400)	120-90	2J18	GRAIN TANK CROSS AUGERS	130-48
2E11	FAN DRIVE SPEED CONTROL LINKAGE (640401-)	120-92	1B20	GRAIN TANK DUAL LEVEL MONITOR HARNESS	40-32
2E13	FAN DRIVE SPEED CONTROL SHEAVE LINKAGE	120-94	2I23	GRAIN TANK EXTENSIONS	130-28
2K9	FAN, CLEANING, BELTS.....	170-3	1B18	GRAIN TANK LEVEL MONITOR	40-30
2E7	FAN, DRIVE, CLEANING, SEPARATOR	120-88	1B18	GRAIN TANK LIGHT	40-30
2B19	FANS, CLEANING	120-28	2I19	GRAIN TANK TOP	130-24
2B21	FANS, CLEANING	120-30	1B18	GRAIN TANK UNLOADING AUGER LIMIT SWITCH.....	40-30
1I5	FEED PLATE SUPPORT	110-24	1F2	GRAIN TANK UNLOADING, KIT, ARMATURE, SOLENOID CONTROL VALVE DOUBLE PILOTED	70-43
1I1	FEEDER CONVEYOR BRACKET	110-20	1F1	GRAIN TANK UNLOADING, SOLENOID CONTROL VALVE DOUBLE PILOTED	70-42
1I1	FEEDER CONVEYOR DRIVE CHAIN.....	110-20	2J3	GRAIN TANK VERTICAL UNLOADING AUGER	130-32
1I3	FEEDER CONVEYOR DRIVE CHAIN, TIGHTENER AND GUIDES	110-22	2J3	GRAIN TANK VERTICAL UNLOADING AUGER HOUSING	130-32
1I1	FEEDER CONVEYOR IDLER	110-20	1B18	GRAIN TANK WIRING HARNESS, LIGHT, LIMIT SWITCH AND LEVEL MONITOR	40-30
2K9	FEEDER HOUSE BELTS.....	170-3	2B5	GRATE AND RASP BAR CONCAVE	120-14
			2B7	GRATE AND RASP BAR CONCAVE	120-16
			2F21	GUARD AND STRAW SPREADER MOUNTING	120-126
			1I3	GUIDES, TIGHTENER AND FEEDER CONVEYOR DRIVE CHAIN	110-22
			1G16	GULL WING DOORS, L.H.	80-22

1A9

9501 PULL-TYPE COMBINE

ALPHABETICAL INDEX - CONTINUED

GRID	PAGE	GRID	PAGE
1G18	GULL WING DOORS, R.H.	80-24	
H			
2A18	HANDLE, LATCHES AND CONVEYOR AUGER CLEANOUT DOOR	120-2	
1F23	HANDRAILS, REAR LADDER LANDING	80-4	
1A22	HARDWARE KIT, CONTROL BOX	40-8	
1B8	HARNES FOR REAR LIGHTS AND SHIELDS	40-20	
1B6	HARNES WIRING, MAIN, L.H. CENTER	40-18	
1A24	HARNES, HITCH TUBE	40-10	
1B4	HARNES, WIRING, MAIN, L.H. FRONT	40-16	
1B10	HARNES, WIRING, R.H. MAIN	40-22	
1A20	HARVESTRAK MAIN CONTROL BOX	40-6	
1B16	HARVESTRAK MONITOR WIRING HARNES	40-28	
2K9	HEADER BELTS	170-3	
2D3	HEADER ELECTROMAGNETIC CLUTCH	120-60	
2K5	HEADER HEIGHT CONTROL, ELECTRIC HARNES, DIAL-A-MATIC	160-4	
1E4	HEADER LIFT CYLINDER, HYDRAULIC	70-18	
1E5	HEADER LIFT HYDRAULIC CYLINDER KIT	70-19	
1E2	HEADER LIFT LINES AND HOSES	70-16	
1E17	HEADER LIFT MODULE, ARMATURE KIT	70-33	
1E18	HEADER LIFT MODULE, POPPET KIT	70-34	
1E14	HEADER LIFT MODULE, SOLENOID CONTROL VALVE	70-30	
1B23	HEADER LIGHT	40-36	
2H22	HINGED DOOR, LOWER AUGER, CLEAN GRAIN	130-2	
1C18	HITCH	50-2	
1D15	HITCH BEAM HYDRAULIC LINES AND HOSES	70-3	
1C20	HITCH BEAM JACK STAND	50-4	
1D14	HITCH HYDRAULIC HOSES	70-2	
1D14	HITCH HYDRAULIC LINES	70-2	
1A24	HITCH TUBE HARNES AND SHORT TURN SENSOR	40-10	
1F18	HITCH TUBE HYDRAULIC CYLINDER	70-61	
1B1	HITCH, MAIN HARNES ASSEMBLY	40-12	
1B3	HITCH, MAIN HARNES ASSEMBLY	40-14	
1D7	HOLDER, HOSE	50-16	
1G7	HOOD, REAR	80-12	
2J14	HORIZONTAL UNLOADING AUGER (14- AND 17-FT.)	130-44	
2J9	HORIZONTAL UNLOADING AUGER HUB SUPPORT	130-38	
2J11	HORIZONTAL UNLOADING AUGER DRIVE GEARCASE	130-40	
2J12	HORIZONTAL UNLOADING AUGER HOUSING (14- AND 17-FT.)	130-42	
2J13	HORIZONTAL UNLOADING AUGER HOUSING (14- AND 17-FT.)	130-43	
2J5	HORIZONTAL UNLOADING AUGER SWIVEL	130-34	
1D7	HOSE HOLDER	50-16	
1E2	HOSES AND LINES, HEADER LIFT	70-16	
1E11	HOSES AND LINES, HYDRAULIC, CYLINDER SPEED	70-26	
1F9	HOSES AND LINES, UNLOADING AUGER SWING HYDRAULIC CYLINDER	70-52	
2G17	HOSES, CHAFF SPREADER	120-146	
1D15	HOSES, HITCH BEAM HYDRAULIC	70-3	
1D14	HOSES, HITCH HYDRAULIC	70-2	
1D24	HOSES, HYDRAULIC, REEL PUMP	70-12	
2G15	HOSES, LINES AND MOTOR, CHAFF SPREADER	120-144	
2H17	HOSES, LUBE, L.H.	120-172	
2H15	HOSES, LUBE, R. H.	120-170	
2F11	HOUSING AND KNIFEBACK, STRAW CHOPPER (-640400)	120-116	
2F13	HOUSING AND KNIFEBACK, STRAW CHOPPER (640401-)	120-118	
2F15	HOUSING AND KNIFEBACK, STRAW CHOPPER (640401-)	120-120	
2B15	HOUSING AND SHOE GRAIN SUPPLY AUGERS	120-24	
2B17	HOUSING AND SHOE GRAIN SUPPLY AUGERS	120-26	
2J3	HOUSING, CHARGE, VERTICAL UNLOADING AUGER	130-32	
1A16	HOUSING, CONTROL BOX, DIAL-A-MATIC	40-2	
1C5	HOUSING, ELECTRONIC ASSEMBLY	40-42	
2J12	HOUSING, HORIZONTAL UNLOADING AUGER (14- AND 17-FT.)	130-42	
2J13	HOUSING, HORIZONTAL UNLOADING AUGER (14- AND 17-FT.)	130-43	
1D10	HOUSING, SPINDLE, AND WHEEL	50-19	
2H3	HOUSING, TAILINGS ELEVATOR	120-156	
2H10	HOUSING, UPPER TAILINGS AUGER	120-164	
1F17	HYDRAULIC BELT TIGHTENING CYLINDER	70-60	
1F18	HYDRAULIC CYLINDER, HITCH TUBE	70-61	
1F13	HYDRAULIC CYLINDER, UNLOADING AUGER SWING	70-56	
1D24	HYDRAULIC HOSES, REEL PUMP	70-12	
1E11	HYDRAULIC LINES AND HOSES, CYLINDER SPEED	70-26	
1E2	HYDRAULIC LINES AND HOSES, HEADER LIFT	70-16	
1D15	HYDRAULIC LINES AND HOSES, HITCH BEAM	70-3	
1F13	HYDRAULIC MOUNTING, UNLOADING AUGER SWING	70-56	
1E8	HYDRAULIC RETURN LINES	70-22	
1E10	HYDRAULIC/HYDROSTATIC OIL RESERVOIR	70-24	
1E1	HYDRAULIC, MAIN, FILTER	70-14	
1E10	HYDROSTATIC/HYDRAULIC RESERVOIR	70-24	
I			
2G9	IDLER, CHOPPER DRIVE	120-138	
2I13	IDLER, DRIVE, CLEAN GRAIN ELEVATOR	130-18	
1D1	IDLER, DRIVE, LOWER	50-10	
1I1	IDLER, FEEDER CONVEYOR	110-20	
1D3	IDLER, GEARCASE	50-12	
1D5	IDLER, MAIN DRIVE	50-14	
2B9	INDICATOR BRACKETS, CONCAVE	120-18	
2B19	INTAKE SHIELDS, CLEANING FAN	120-28	
2B21	INTAKE SHIELDS, CLEANING FAN	120-30	
2D15	INTERMEDIATE SHAFT MOUNTING, CYLINDER DRIVE, DUAL-RANGE	120-72	
2D17	INTERMEDIATE SHEAVE, CYLINDER DRIVE, DUAL-RANGE	120-74	
J			
1C20	JACK STAND, HITCH BEAM	50-4	
1F20	JACKSTAND, REAR	80-1	
1C22	JOINT, UNIVERSAL, REAR	50-6	
K			
2H19	KEY STOCK, METRIC KIT	120-174	
1E16	KIT, ADJUSTABLE STOP, HEADER LIFT MODULE	70-32	
1D23	KIT, ADJUSTING SCREW, REEL DRIVE FLOW CONTROL VALVE	70-11	
1E24	KIT, ARMATURE, SOLENOID CONTROL VALVE DOUBLE PILOTED MODULE, AUGER SWING	70-40	

1A10

9501 PULL-TYPE COMBINE

ALPHABETICAL INDEX - CONTINUED

GRID	PAGE	GRID	PAGE
1F2	KIT, ARMATURE, SOLENOID CONTROL VALVE DOUBLE PILOTED MODULE, GRAIN TANK UN.	70-43	
1E20	KIT, ARMATURE, SOLENOID CONTROL VALVE, CYLINDER SPEED	70-36	
1E17	KIT, ARMATURE, SOLENOID CONTROL VALVES, HEADER LIFT MODULE	70-33	
1A22	KIT, CONTROL BOX HARDWARE	40-8	
1C9	KIT, ELECTRICAL CONNECTOR SERVICE.....	40-46	
1C11	KIT, ELECTRICAL CONNECTOR SERVICE.....	40-48	
1E5	KIT, HEADER LIFT HYDRAULIC CYLINDER.....	70-19	
2H19	KIT, METRIC KEY STOCK	120-174	
1E25	KIT, POPPET, SOLENOID CONTROL VALVE DOUBLE PILOTED MODULE, AUGER SWING.....	70-41	
1F3	KIT, POPPET, SOLENOID CONTROL VALVE DOUBLE PILOTED MODULE, REEL FORE/AFT.....	70-44	
1E18	KIT, POPPET, SOLENOID CONTROL VALVE UNBALANCED LOAD MODULE (HEADER LIFT)	70-34	
1D22	KIT, REEL DRIVE FLOW CONTROL VALVE.....	70-10	
1F7	KIT, REEL HYDRAULIC PUMP SEAL	70-50	
1E22	KIT, RELIEF, SOLENOID CONTROL VALVE BI- DIRECTIONAL MOD. CYLINDER DRIVE	70-38	
1E21	KIT, SOLENOID CONTROL VALVE, CYLINDER SPEED, POPPET	70-37	
1C13	KIT, TERMINAL AND WIRING	40-50	
1F15	KIT, UNLOADING AUGER SWING HYDRAULIC CYLINDER	70-58	
2F11	KNIFEBACK AND HOUSING, STRAW CHOPPER (-640400)	120-116	
2F13	KNIFEBACK AND HOUSING, STRAW CHOPPER (640401-)	120-118	
2F15	KNIFEBACK AND HOUSING, STRAW CHOPPER (640401-)	120-120	
2F9	KNIFEBACK AND STRAW CHOPPER HOUSING (-640400)	120-114	
L			
1B8	L.H. AND R.H. MAIN WIRING HARNESS, L.H. AND R.H. REAR	40-20	
1G16	L.H. GULL WING DOORS	80-22	
1B6	L.H. MAIN WIRING HARNESS, L.H. CENTER.....	40-18	
1B4	L.H. MAIN WIRING HARNESS, L.H. FRONT.....	40-16	
1H3	LADDER, LEFT-HAND LANDING	80-34	
1G3	LADDER, REAR	80-8	
1G5	LANDING SUPPORT	80-10	
1H3	LANDING, LEFT-HAND	80-34	
1G3	LANDING, REAR LADDER	80-8	
2A18	LATCHES, HANDLE AND CONVEYOR AUGER CLEANOUT DOOR	120-2	
2K13	LEFT-HAND DECALS	170-8	
1H3	LEFT-HAND LANDING AND LADDER	80-34	
1H3	LEFT-HAND LANDING LADDER	80-34	
1B20	LEVEL MONITOR WIRING HARNESS, DUAL	40-32	
1B20	LEVEL MONITOR, DUAL.....	40-32	
1B18	LEVEL MONITOR, GRAIN TANK	40-30	
2K4	LEVER SELECTOR LOCK.....	160-2	
1E4	LIFT CYLINDER, HEADER, HYDRAULIC.....	70-18	
1E5	LIFT, HEADER, HYDRAULIC CYLINDER KIT	70-19	
1B18	LIGHT, GRAIN TANK.....	40-30	
1B23	LIGHT, HEADER	40-36	
1B22	LIGHTS, FRONT AND REAR TAIL.....	40-34	
1B22	LIGHTS, FRONT AND REAR TURN.....	40-34	
1B18	LIMIT SWITCH, GRAIN TANK UNLOADING AUGER	40-30	
2G13	LINES AND FITTING, CHAFF SPREADER	120-142	
1E2	LINES AND HOSES, HEADER LIFT.....	70-16	
1E11	LINES AND HOSES, HYDRAULIC, CYLINDER SPEED	70-26	
1F9	LINES AND HOSES, UNLOADING AUGER SWING HYDRAULIC CYLINDER	70-52	
2G17	LINES, CHAFF SPREADER.....	120-146	
1D15	LINES, HITCH BEAM HYDRAULIC.....	70-3	
1D14	LINES, HITCH HYDRAULIC.....	70-2	
1D24	LINES, HYDRAULIC, REEL PUMP	70-12	
1E8	LINES, RETURN, HYDRAULIC	70-22	
2E13	LINKAGE, SHEAVE, FAN DRIVE SPEED CONTROL	120-94	
2E9	LINKAGE, SPEED CONTROL, FAN DRIVE (-640400)	120-90	
2E11	LINKAGE, SPEED CONTROL, FAN DRIVE (640401-)	120-92	
2I9	LOADING AUGER, CLEAN GRAIN.....	130-14	
2K4	LOCK, LEVER SELECTOR	160-2	
2D11	LOCKOUT ARM, DUAL-RANGE	120-68	
1B14	LOW SHAFT SPEED MONITORS AND BRACKETS.....	40-26	
2H22	LOWER AUGER, CLEAN GRAIN	130-2	
2H24	LOWER ELEVATOR, CLEAN GRAIN	130-4	
2I1	LOWER ELEVATOR, CLEAN GRAIN	130-6	
2G23	LOWER TAILINGS AUGER	120-152	
2K10	LOWER TAILINGS AUGER BELT.....	170-4	
2H7	LOWER TAILINGS AUGER CHAIN TIGHTENER.....	120-160	
2H8	LOWER TAILINGS AUGER DRIVE TIGHTENER.....	120-162	
2G23	LOWER TAILINGS AUGER SHAFT	120-152	
2G23	LOWER TAILINGS AUGER SHAFT TIGHTENER	120-152	
2H1	LOWER TAILINGS AUGER TROUGH	120-154	
2H6	LOWER TROUGH SUPPORT	120-159	
2K1	LUBE BANK, UNLOADING AUGER	130-58	
2H15	LUBE HOSES R. H.	120-170	
2H17	LUBE HOSES, L.H.	120-172	
M			
1A20	MAIN CONTROL BOX, HARVESTRAK.....	40-6	
1D5	MAIN DRIVE IDLER	50-14	
1F21	MAIN FRAME, SEPARATOR.....	80-2	
1B1	MAIN HARNESS ASSEMBLY, HITCH	40-12	
1B3	MAIN HARNESS ASSEMBLY, HITCH	40-14	
1E1	MAIN HYDRAULIC FILTER	70-14	
1D7	MAIN POWER SHIELDS	50-16	
1C22	MAIN POWERSHAFT.....	50-6	
1C18	MAINFRAME	50-2	
2H19	METRIC KEY STOCK KIT	120-174	
1B16	MONITOR WIRING HARNESS, HARVESTRAK	40-28	
1B18	MONITOR, LEVEL, GRAIN TANK.....	40-30	
1B14	MONITORS AND BRACKETS, LOW SHAFT SPEED	40-26	
1C3	MOTOR, ADJUSTING, CONCAVE	40-40	
1C1	MOTOR, ADJUSTING, SEPARATOR FAN DRIVE.....	40-38	
2G17	MOTOR, CHAFF SPREADER	120-146	
2G7	MOUNTING SUPPORT, CHAFF SPREADER.....	120-136	
1E10	MOUNTING, HYDRAULIC/HYDRO OIL RESERVOIR	70-24	
2F21	MOUNTING, STRAW SPREADER AND GUARD.....	120-126	
1F13	MOUNTING, UNLOADING AUGER SWING HYDRAULIC	70-56	
1F4	MOUNTINGS, SOLENOID CONTROL VALVE MODULE ASSEMBLY	70-46	
1F5	MOUNTINGS, SOLENOID CONTROL VALVE MODULE ASSEMBLY	70-47	
1A16	MTG. BRKT., CONTROL BOX, DIAL-A-MATIC	40-2	
1H1	MUD SHIELDS (R.H. SIDE).....	80-32	
1G9	MUD SHIELDS, AUGER DRIVE (R-H SIDE)	80-14	

1A11

9501 PULL-TYPE COMBINE

ALPHABETICAL INDEX - CONTINUED

GRID		PAGE	GRID		PAGE
P					
2H10	PADDLES, UPPER TAILINGS AUGER	120-164	2G11	ROD AND KNOB, CHAFF SPREADER CONTROL	120-140
2C13	PAN, SHAKER	120-46	2F5	ROTOR AND SHEAVE, STRAW CHOPPER	120-110
2J16	PLATE, CROSS AUGER BEARING, L.H.	130-46	S		
1G1	PLATFORM, REAR	80-6	1H11	SAFETY STOP, DRIVE SHIELDS, FEEDER HOUSE	110-6
1B12	PLUGGING SENSING SWITCH, STRAW WALKER	40-24	2J24	SAMPLING TROUGH, GRAIN TANK	130-56
1E25	POPPET KIT, SOLENOID CONTROL VALVE DOUBLE PILOTED MODULE, AUGER SWING.....	70-41	1H23	SEAL, FEEDER HOUSE	110-18
1F3	POPPET KIT, SOLENOID CONTROL VALVE DOUBLE PILOTED MODULE, REEL FORE/AFT.....	70-44	2G5	SEALS AND PAN, CHAFF SPREADER	120-134
1E21	POPPET KIT, SOLENOID CONTROL VALVE, BI- DIRECTIONAL MOD. CYLINDER DRIVE	70-37	2D21	SECONDARY COUNTERSHAFT DRIVE	120-78
1E18	POPPET KIT, SOLENOID CONTROL VALVES, HEADER LIFT MODULE	70-34	1B12	SENSING SWITCH, STRAW WALKER PLUGGING	40-24
1D7	POWER SHIELDS, MAIN.....	50-16	1A24	SENSOR, HITCH TUBE.....	40-10
1C21	POWERSHAFT AND SHIELD, TELESCOPING	50-5	1A24	SENSOR, SHORT TURN.....	40-10
1C22	POWERSHAFT, MAIN	50-6	1F21	SEPARATOR CROSS BRACES	80-2
2C1	PRE-CLEANER CHAFFER FRAME	120-34	2C23	SEPARATOR CURTAIN.....	120-56
2B23	PRE-CLEANING CHAFFER	120-32	2D1	SEPARATOR CURTAIN.....	120-58
2D5	PRIMARY COUNTERSHAFT, SUPPORTS AND VARI- ABLE SHEAVE.....	120-62	2E7	SEPARATOR FAN DRIVE	120-88
2E17	PUMP MOUNTING SHEAVE, REEL / BELT PICKUP DRIVE	120-98	1C1	SEPARATOR FAN DRIVE ADJUSTING MOTOR.....	40-38
2G21	PUMP SEAL KIT, CHAFF SPREADER.....	120-150	1F21	SEPARATOR FRAME	80-2
2G15	PUMP, CHAFF SPREADER.....	120-144	2A22	SEPARATOR/FEEDER HOUSE SEAL, STONE TRAP AND DOOR	120-6
2G19	PUMP, CHAFF SPREADER.....	120-148	1C9	SERVICE KIT, ELECTRICAL CONNECTORS	40-46
1F7	PUMP, REEL HYDRAULIC, SEAL KIT	70-50	1C11	SERVICE KIT, ELECTRICAL CONNECTORS	40-48
1D24	PUMP, REEL, HYDRAULIC HOSES	70-12	1C25	SHAFT (GEAR CASE)	50-9
R					
1G18	R.H. GULL WING DOORS.....	80-24	2B11	SHAFT, BEATER AND DRIVE BELT	120-20
1B10	R.H. MAIN WIRING HARNESS	40-22	1H21	SHAFT, DRIVE, FRONT, SHEAVE AND MOUNTINGS (FIXED SPEED WITH REVERSER)	110-16
2B5	RASP BAR CONCAVE AND GRATE	120-14	1H17	SHAFT, DRIVE, UPPER, SHEAVE AND MOUNTING (FIXED SPEED WITH REVERSER)	110-12
2B7	RASP BAR CONCAVE AND GRATE	120-16	2G23	SHAFT, LOWER TAILINGS AUGER	120-152
2B3	RASP BAR THRESHING CYLINDER	120-12	2I5	SHAFT, UPPER CLEAN GRAIN ELEVATOR	130-10
1G22	REAR CORNER SHEET, L H	80-28	1H15	SHAFT, UPPER, FEEDER HOUSE.....	110-10
1G7	REAR HOOD	80-12	2C13	SHAKER PAN.....	120-46
1F20	REAR JACKSTAND	80-1	2B1	SHEAR BAR, CYLINDER.....	120-10
1G3	REAR LADDER.....	80-8	2F5	SHEAVE AND ROTOR, STRAW CHOPPER	120-110
1G3	REAR LADDER AND LANDING	80-8	2E13	SHEAVE LINKAGE, FAN DRIVE SPEED CONTROL	120-94
1G3	REAR LADDER LANDING	80-8	2I11	SHEAVE, CLEAN GRAIN ELEVATOR GEARCASE.....	130-16
1F23	REAR LADDER LANDING HANDRAILS	80-4	2E17	SHEAVE, MOUNTING, PUMP, REEL / BELT PICKUP DRIVE	120-98
1B8	REAR LIGHT HARNESS AND SHIELDS	40-20	2I5	SHEAVE, UPPER CLEAN GRAIN ELEVATOR	130-10
1G1	REAR PLATFORM	80-6	2E5	SHEAVES, BEATER DRIVE AND TIGHTENER	120-86
2K9	REEL BELTS	170-3	2F1	SHEILDS, STRAW CHOPPER DRIVE (640401-)	120-106
1D20	REEL DRIVE FLOW CONTROL VALVE.....	70-8	1C21	SHIELD AND TELESCOPING POWERSHAFT.....	50-5
1D22	REEL DRIVE FLOW CONTROL VALVE	70-10	1G12	SHIELD, DRIVE, R.H. REAR	80-18
1D23	REEL DRIVE FLOW CONTROL VALVE, ADJUSTING SCREW KIT	70-11	1G11	SHIELD, FAN DRIVE (L-H SIDE)	80-16
1D18	REEL DRIVE HYDRAULIC SYSTEM FRONT AND L.H. SIDE.....	70-6	1G14	SHIELD, R.H. SIDE	80-20
1F3	REEL FORE/AFT, KIT, POPPET, SOLENOID CONTROL VALVE DOUBLE PILOTED MODULE	70-44	1D9	SHIELD, REAR UNIVERSAL JOINT	50-18
1F7	REEL HYDRAULIC PUMP SEAL KIT	70-50	2H13	SHIELD, UPPER TAILINGS AUGER DRIVE	120-168
1D24	REEL PUMP HOSES, HYDRAULIC	70-12	1B8	SHIELDS FOR REAR LIGHT HARNESS	40-20
1E22	RELIEF KIT, SOLENOID CONTROL VALVE BI- DIRECTIONAL MOD. CYLINDER DRIVE	70-38	1D7	SHIELDS, MAIN POWER.....	50-16
1E10	RESERVOIR, HYDRAULIC/HYDROSTATIC	70-24	1H1	SHIELDS, MUD (R.H. SIDE)	80-32
1H19	RETURN FLOOR, FEEDER HOUSE.....	110-14	1G9	SHIELDS, MUD, AUGER DRIVE (R-H SIDE).....	80-14
1E8	RETURN LINES, HYDRAULIC	70-22	2E23	SHIELDS, STRAW CHOPPER DRIVE (-640400)	120-104
1I9	REVERSER ACTUATOR	110-28	2I15	SHIELDS, UPPER CLEAN GRAIN ELEVATOR (-640400)	130-20
1H7	REVERSER GEAR BOX	110-2	2I17	SHIELDS, UPPER CLEAN GRAIN ELEVATOR (640401-)	130-22
1H17	REVERSER)	110-12	2B15	SHOE GRAIN SUPPLY AUGERS AND HOUSING	120-24
1H21	REVERSER)	110-16	2B17	SHOE GRAIN SUPPLY AUGERS AND HOUSING	120-26
			1G16	SIDE SHEET DOORS	80-22
			1G18	SIDE SHEET DOORS	80-24
			1G14	SIDE SHIELD, R.H. SIDE	80-20
			2E3	SIEVE AND CHAFFER DRIVE, CONVEYOR AUGERS AND STRAW WALKER	120-84

1A12

9501 PULL-TYPE COMBINE

ALPHABETICAL INDEX - CONTINUED

GRID	PAGE	GRID	PAGE
2C9	SIEVE ELEMENT	120-42	
2C11	SIEVE FRAME	120-44	
1E6	SINGLE ACCUMULATOR	70-20	
1I7	SLIP CLUTCH, FEEDER HOUSE	110-26	
1E21	SOLENOID CONTROL VALVE BI-DIRECTIONAL MODULE POPPET KIT	70-37	
1E22	SOLENOID CONTROL VALVE BI-DIRECTIONAL MODULE RELIEF KIT	70-38	
1E19	SOLENOID CONTROL VALVE BI-DIRECTIONAL MODULE, CYLINDER SPEED	70-35	
1F6	SOLENOID CONTROL VALVE BRACKETS	70-48	
1E23	SOLENOID CONTROL VALVE DOUBLE PILOTED MODULE, AUGER SWING	70-39	
1F1	SOLENOID CONTROL VALVE DOUBLE PILOTED MODULE, GRAIN TANK UNLOADING	70-42	
1F4	SOLENOID CONTROL VALVE MODULE ASSEMBLY AND MOUNTINGS	70-46	
1F5	SOLENOID CONTROL VALVE MODULE ASSEMBLY AND MOUNTINGS	70-47	
1E14	SOLENOID CONTROL VALVE UNBALANCED LOAD MODULE (HEADER LIFT MODULE)	70-30	
1E13	SOLENOID CONTROL VALVE UNLOAD MODULE	70-28	
1E16	SOLENOID CONTROL VALVES, ADJUSTABLE STOP KIT	70-32	
1E17	SOLENOID CONTROL VALVES, ARMATURE KIT, HEADER LIFT MODULE	70-33	
2E9	SPEED CONTROL LINKAGE, FAN DRIVE (-640400)	120-90	
2E11	SPEED CONTROL LINKAGE, FAN DRIVE (640401-)	120-92	
2E13	SPEED CONTROL, FAN DRIVE SHEAVE LINKAGE	120-94	
1D10	SPINDLE, HOUSING, AND WHEEL	50-19	
2D1	SPREADER CURTAIN	120-58	
2G15	SPREADER, CHAFF, MOTOR, LINES AND HOSES	120-144	
2F23	SPREADER, STRAW	120-128	
2K9	SPREADER, STRAW, BELTS	170-3	
2I5	SPROCKET, UPPER CLEAN GRAIN ELEVATOR	130-10	
2H5	SPROCKETS, TAILINGS ELEVATOR CONVEYOR	120-158	
1C20	STAND, JACK, HITCH BEAM	50-4	
2A22	STONE TRAP, DOOR AND FEEDER HOUSE/ SEPARATOR SEAL	120-6	
2K9	STRAW CHOPPER BELTS	170-3	
2F3	STRAW CHOPPER DECK, SUPPORTS AND FINS	120-108	
2F19	STRAW CHOPPER DOOR	120-124	
2E23	STRAW CHOPPER DRIVE SHIELDS (-640400)	120-104	
2F1	STRAW CHOPPER DRIVE SHIELDS (640401-)	120-106	
2E19	STRAW CHOPPER DRIVES (FRONT)	120-100	
2E21	STRAW CHOPPER DRIVES (REAR)	120-102	
2F11	STRAW CHOPPER HOUSING AND KNIFEBACK (-640400)	120-116	
2F9	STRAW CHOPPER HOUSING AND KNIFEBANK (-640400)	120-114	
2F13	STRAW CHOPPER HOUSING AND KNIFEBANK (640401-)	120-118	
2F15	STRAW CHOPPER HOUSING AND KNIFEBANK (640401-)	120-120	
2F5	STRAW CHOPPER ROTOR AND SHEAVE	120-110	
1B8	STRAW CHOPPER SENSOR BRACKET	40-20	
2F23	STRAW SPREADER	120-128	
2C21	STRAW SPREADER DRIVE, SHIELD AND STRAW WALKER CRANKS	120-54	
2F21	STRAW SPREADER MOUNTING AND GUARD	120-126	
1B12	STRAW WALKER (PLUGGING) SENSING SWITCH	40-24	
2C17	STRAW WALKER BEARING CONVERSION (-1990)	120-50	
2C21	STRAW WALKER CRANKS, STRAW SPREADER DRIVE AND SHIELD	120-54	
2D23	STRAW WALKER DRIVE GEARCASE	120-80	
2E1	STRAW WALKER DRIVE GEARCASE	120-82	
2E3	STRAW WALKER, CONVEYOR AUGERS, SIEVE AND CHAFFER DRIVE	120-84	
2C19	STRAW WALKERS	120-52	
2C15	STRAW WALKERS (-1990)	120-48	
2J23	STRAWCHOPPER TOP BELT GUIDE (TRAP)	130-54	
1C15	SUPPLEMENTARY TERMINALS AND CONNECTORS	40-52	
2J7	SUPPORT AND BRACES, AUGER	130-36	
1I5	SUPPORT, FEED PLATE	110-24	
1G5	SUPPORT, LANDING	80-10	
2H6	SUPPORT, LOWER TROUGH	120-159	
2D5	SUPPORTS AND VARIABLE SHEAVE, PRIMARY COUNTERSHAFT	120-62	
1F15	SWING, UNLOADING AUGER, HYDRAULIC CYLINDER KIT	70-58	
1B12	SWITCH, SENSING, STRAW WALKER PLUGGING	40-24	
2J7	SWIVEL SUPPORT AND BRACES, AUGER	130-36	
2J7	SWIVEL, AUGER SUPPORT	130-36	
2J5	SWIVEL, HORIZONTAL UNLOADING AUGER	130-34	
1D18	SYSTEM, HYDRAULIC, REEL DRIVE FRONT AND L.H. SIDE	70-6	
1D16	SYSTEM, TRACTOR RETURN	70-4	
1D16	SYSTEM, TRACTOR SUPPLY	70-4	
1F11	SYSTEM, UNLOADING AUGER ENGAGE	70-54	
T			
1B22	TAIL LIGHTS	40-34	
2H6	TAILINGS DRIVE BRACKET	120-159	
2H5	TAILINGS ELEVATOR CONVEYOR BEARINGS	120-158	
2H5	TAILINGS ELEVATOR CONVEYOR CHAIN	120-158	
2H5	TAILINGS ELEVATOR CONVEYOR SPROCKETS	120-158	
2H3	TAILINGS ELEVATOR HOUSING	120-156	
2J24	TANK, GRAIN, SAMPLING TROUGH	130-56	
1C21	TELESCOPING POWERSHAFT AND SHIELD	50-5	
1C13	TERMINAL AND WIRING KIT	40-50	
1C7	TERMINALS, ELECTRICAL, WEATHERPACK	40-44	
1C15	TERMINALS, SUPPLEMENTARY, AND CONNECTORS	40-52	
2A20	THRESHING CYLINDER COVER	120-4	
2B3	THRESHING CYLINDER, RASP BAR	120-12	
2E5	TIGHTENER AND BEATER DRIVE SHEAVES	120-86	
2D13	TIGHTENER, CYLINDER DRIVE, DUAL-RANGE	120-70	
2E15	TIGHTENER, FEEDER HOUSE DRIVE	120-96	
1I3	TIGHTENER, GUIDES AND FEEDER CONVEYOR DRIVE CHAIN	110-22	
2G23	TIGHTENER, LOWER TAILINGS AUGER	120-152	
2H7	TIGHTENER, LOWER TAILINGS AUGER CHAIN	120-160	
2H8	TIGHTENER, LOWER TAILINGS AUGER DRIVE	120-162	
1H5	TOOL BOX	80-36	
2I19	TOP, TANK, GRAIN	130-24	
1D16	TRACTOR RETURN SYSTEM	70-4	
1D16	TRACTOR SUPPLY SYSTEM	70-4	
2A22	TRAP, STONE	120-6	
1B22	TURN LIGHTS	40-34	
U			
1D9	UNIVERSAL JOINT SHIELD (REAR)	50-18	
1C22	UNIVERSAL JOINT, REAR	50-6	
1D9	UNIVERSAL SHIELD, GEAR CASE	50-18	
2K9	UNLOADING AUGER BELTS	170-3	

1A13

9501 PULL-TYPE COMBINE

ALPHABETICAL INDEX - CONTINUED

<i>GRID</i>		<i>PAGE</i>	<i>GRID</i>		<i>PAGE</i>
2J21	UNLOADING AUGER COUNTERSHAFT DRIVE	130-52	1C13	WIRING AND TERMINAL KIT	40-50
2J23	UNLOADING AUGER DRIVE BELT GUIDE	130-54	1C13	WIRING CRIMPING TOOL	40-50
1F11	UNLOADING AUGER ENGAGE SYSTEM	70-54	1B20	WIRING HARNESS, DUAL LEVEL MONITOR	40-32
2J12	UNLOADING AUGER HOUSING, HORIZONTAL (14- AND 17-FT.)	130-42	1B18	WIRING HARNESS, GRAIN TANK	40-30
1B18	UNLOADING AUGER LIMIT SWITCH.....	40-30	1B16	WIRING HARNESS, HARVESTRAK MONITOR	40-28
2K1	UNLOADING AUGER LUBE BANK.....	130-58	1B6	WIRING HARNESS, MAIN, L.H. CENTER	40-18
1F15	UNLOADING AUGER SWING HYDRAULIC CYLINDER KIT	70-58	1B4	WIRING HARNESS, MAIN, L.H. FRONT	40-16
1F13	UNLOADING AUGER SWING HYDRAULIC CYLINDER	70-56	1B10	WIRING HARNESS, R.H. MAIN	40-22
1F9	UNLOADING AUGER SWING HYDRAULIC CYLINDER LINES AND HOSES.....	70-52	1A16	WIRING HARNESS, CONTROL BOX, DIAL-A-MATIC	40-2
1F13	UNLOADING AUGER SWING HYDRAULIC MOUNTING ..	70-56	1C13	WIRING STRIPPING TOOL	40-50
2J5	UNLOADING AUGER SWIVEL, HORIZONTAL	130-34	1C15	WIRING, SUPPLEMENTARY TERMINALS AND CONNECTORS	40-52
2J9	UNLOADING AUGER, HORIZONTAL, HUB SUPPORT	130-38			
2K10	UNLOADING SYSTEM BELTS	170-4			
2I3	UPPER CLEAN GRAIN ELEVATOR	130-8			
2I5	UPPER CLEAN GRAIN ELEVATOR SHAFT, SPROCKET AND SHEAVE	130-10			
2I15	UPPER CLEAN GRAIN ELEVATOR SHIELDS (-640400)	130-20			
2I17	UPPER CLEAN GRAIN ELEVATOR SHIELDS (640401-)	130-22			
2I7	UPPER CLEAN GRAIN LOADING AUGER HOUSING	130-12			
1H15	UPPER SHAFT, FEEDER HOUSE	110-10			
2K10	UPPER TAILINGS AUGER BELT	170-4			
2H13	UPPER TAILINGS AUGER DRIVE	120-168			
2H10	UPPER TAILINGS AUGER HOUSING AND PADDLE ASSEMBLY.....	120-164			
2H10	UPPER TAILINGS AUGER PADDLE ASSEMBLY	120-164			
2H13	UPPER TAILINGS AUGER, DRIVE AND SHIELD	120-168			
2H12	UPPER TAILINGS DRIVE CHAIN TIGHTENER	120-166			
V					
1E13	VALVE SOLENOID CONTROL UNLOAD MODULE.....	70-28			
1E23	VALVE, AUGER SWING, DOUBLE PILOTED, SOLENOID CONTROL VALVE	70-39			
1F1	VALVE, GRAIN TANK UNLOADING, DOUBLE PILOTED SOLENOID CONTROL VALVE.....	70-42			
1D20	VALVE, REEL DRIVE FLOW CONTROL	70-8			
1F4	VALVE, SOLENOID CONTROL MODULE ASSEMBLY AND MOUNTINGS.....	70-46			
1F5	VALVE, SOLENOID CONTROL MODULE ASSEMBLY AND MOUNTINGS.....	70-47			
1E19	VALVE, SOLENOID CONTROL, CYLINDER SPEED BI-DIRECTIONAL MODULE	70-35			
1E14	VALVE, SOLENOID CONTROL, HEADER LIFT MODULE.....	70-30			
1E13	VALVE, UNLOAD MODULE.....	70-28			
2D5	VARIABLE SHEAVE AND SUPPORTS, PRIMARY COUNTERSHAFT	120-62			
2J1	VERTICAL AUGER LOWER GEAR CASE	130-30			
W					
2C19	WALKERS, STRAW	120-52			
2C15	WALKERS, STRAW (-1990).....	120-48			
2C17	WALKERS, STRAW, BEARING CONVERSION (-1990).....	120-50			
1C7	WEATHERPACK CONNECTORS	40-44			
1C7	WEATHERPACK TERMINALS.....	40-44			
1D10	WHEEL, SPINDLE, AND HOUSING	50-19			

FC: 0000

ELECTRICAL

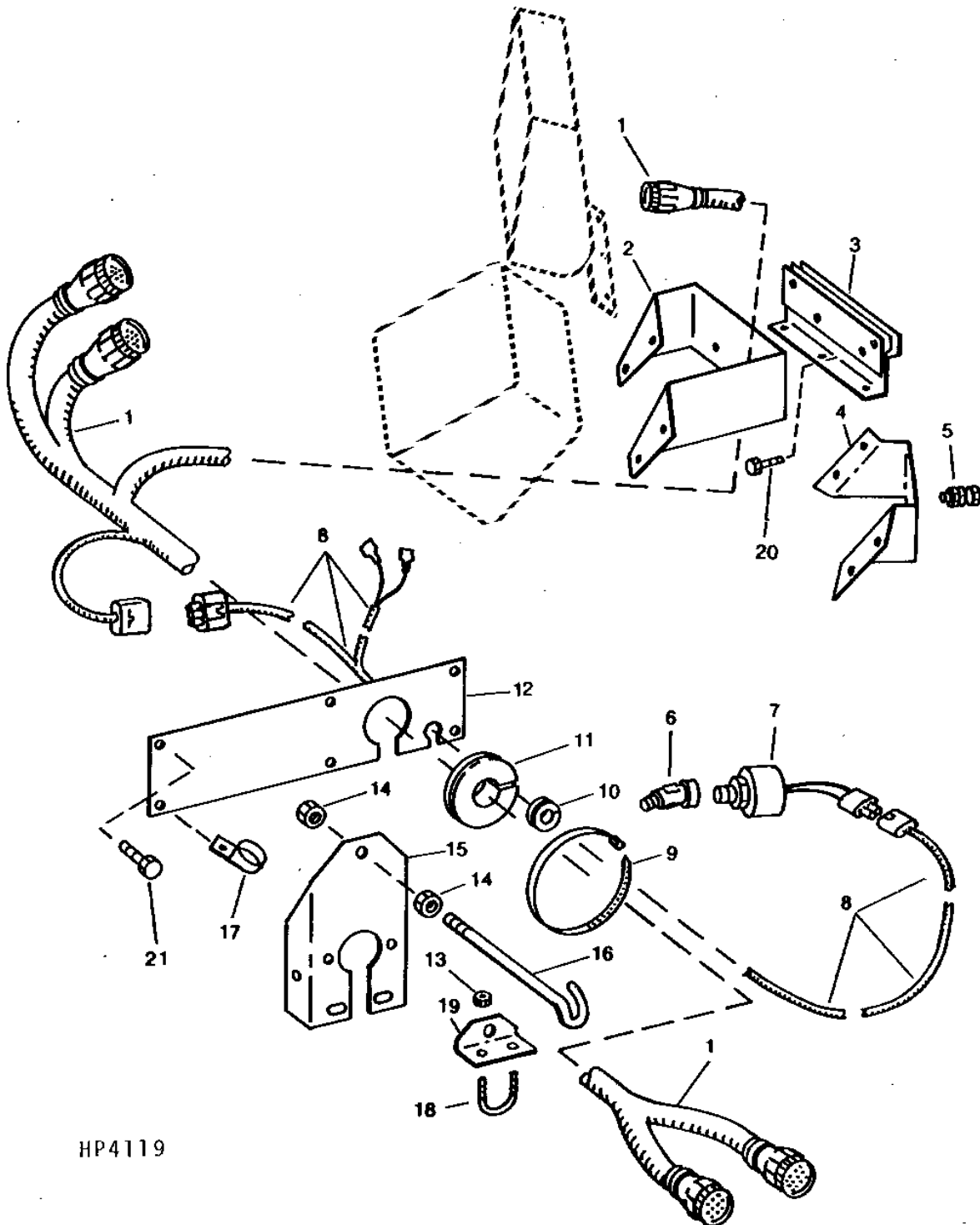
MEMORANDA

1A16

FC: 5285

ELECTRICAL

CONTROL BOX HOUSING, MOUNTING BRACKETS AND HARNESS
(DIAL-A-MATIC)
HP4119 -UN-01JAN94



HP4119

1A17

FC: 5285

ELECTRICAL

**CONTROL BOX HOUSING, MOUNTING BRACKETS AND HARNESS - CONTINUED
(DIAL-A-MATIC)**

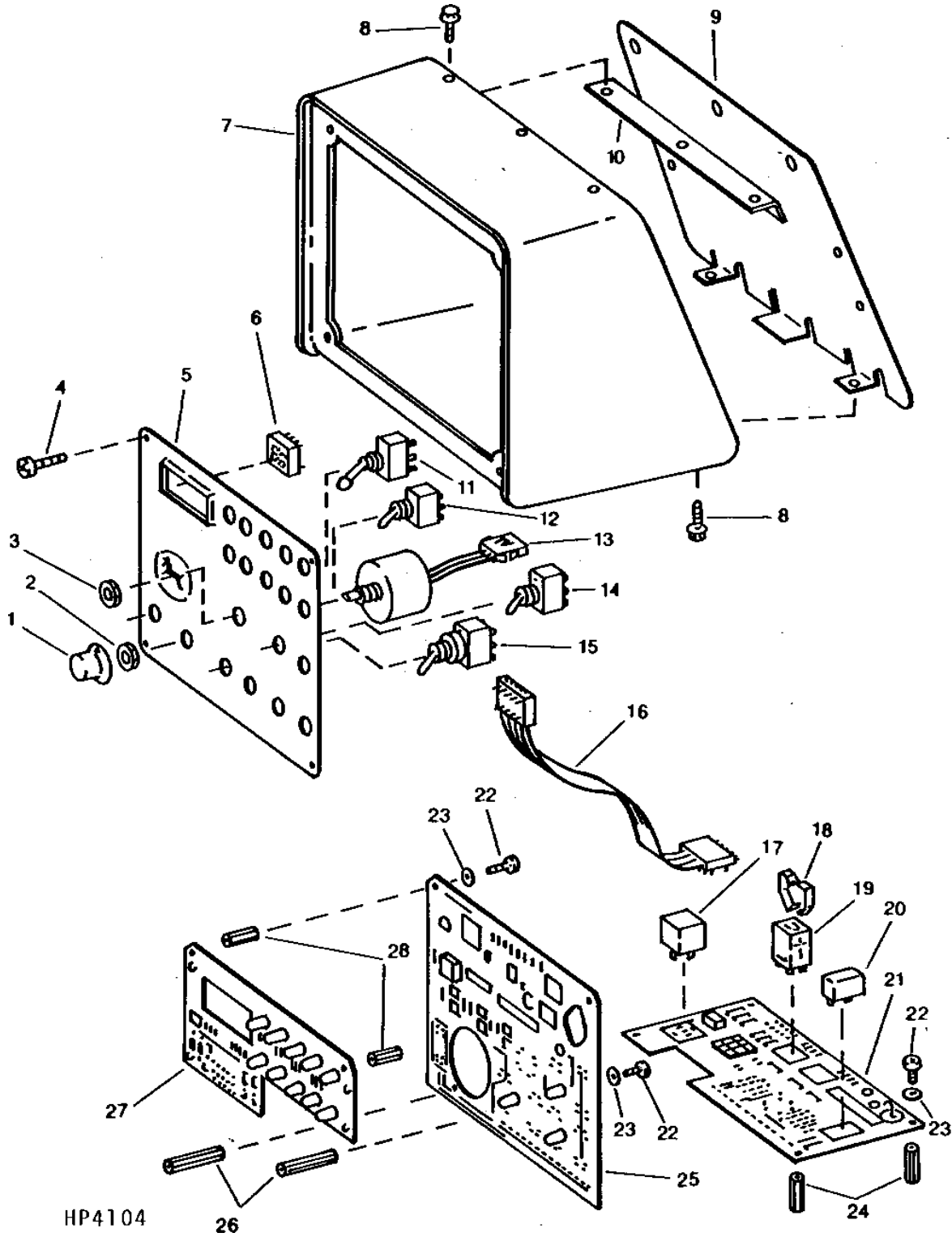
KEY	PART NO.	PART NAME	QTY	SERIAL NO.	REMARKS
1	AH200282	WIRING HARNESS	1		2860 MM FOR ROW-CROP TRACTORS
	AH200470	WIRING HARNESS	1		7400 MM FOR 4-WHEEL DRIVE TRACTORS
2	AH200649	BRACKET	1		
3	RE39122	ADAPTER	1		
4	R100373	PLATE	1		
5	19H1948	CAP SCREW	6		1/4" X 3/4"
	12H302	LOCK WASHER	6		1/4"
	14H786	NUT	6		1/4"
6	M45937	ELBOW FITTING	1		
7	AH133896	SWITCH	1		
8	AH200468	WIRING HARNESS	1		
9	H113196	TIE BAND	6		
	R44302	TIE BAND	6		
10	AH200818	GROMMET	1		
11	AH200651	GROMMET	1		
12	AH200471	COVER	1		
13	T16464	LOCK NUT	2		7.925 MM (5/16")
14	14H812	NUT	2		3/8"
15	H101161	BRACKET	1		
16	H101317	EYEBOLT	1		
17	T26955	CLAMP	1		
18	C12152	U-BOLT	1		(SUB N33920)
19	H115318	HANGER	1		
20	19H1948	CAP SCREW	2		1/4" X 3/4"
21	37H27	SCREW	6		5/16" X 7/8"

1A18

FC: 5285

ELECTRICAL

MAIN CONTROL BOX
HP4104 -UN-01JAN94



1A19

FC: 5285

ELECTRICAL

MAIN CONTROL BOX - CONTINUED

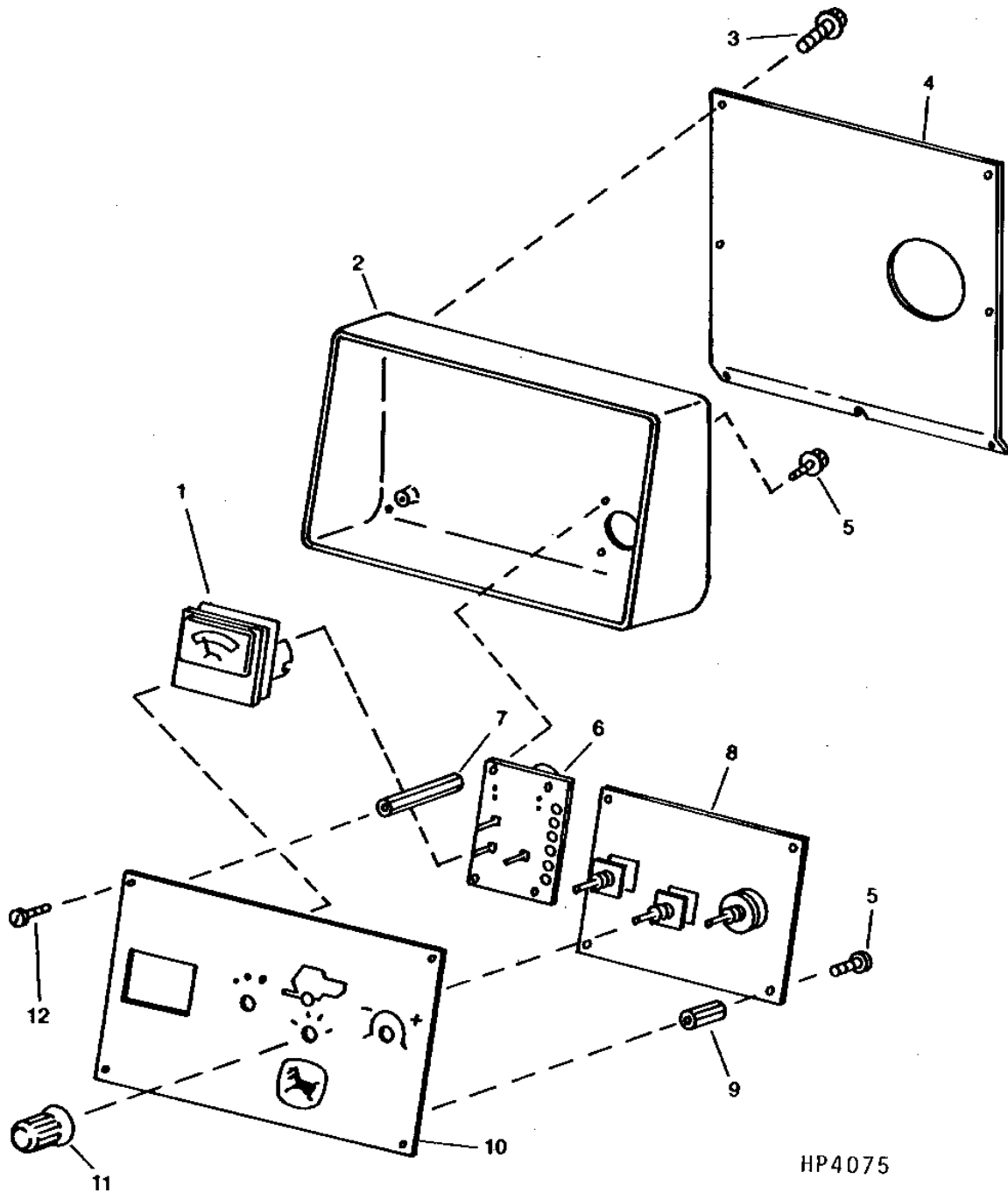
KEY	PART NO.	PART NAME	QTY	SERIAL NO.	REMARKS
1	AH126811	KNOB	1		
2	H106246	LOCK NUT	1	9.525 MM (3/8")	
3	R65044	NUT	1	M12	
4	37H153	SCREW	4	0.190" X 3/8"	
5	AH200746	PLATE	1		
6	AH200753	DIGITAL DISPLAY	1		
7	AH200743	HOUSING	2		
8	37H148	SCREW	9	1/4" X 5/8"	
9	AH200744	BASE	1		
10	R67211	BRACKET	1		
11	AH200646	TOGGLE SWITCH	2		SWITCH LOCKING; HEADER ENGAGE/UNLOADING AUGER ANGAGE
12	AH200654	TOGGLE SWITCH	3		SWITCH MOMENTARY; HEADER LIFT/CYLINDER SPEED
13	AH135951	SWITCH	1		DIAL-A-MATIC
14	AH200653	TOGGLE SWITCH	1		3 POSITION SWITCH; UNLOADING AUGER SWING
15	AH200652	TOGGLE SWITCH	2		2 POSITION SWITCH; TACH. SELECT/HEADER REVERSER
16	AH200748	CABLE	1		
17	AH106612	RELAY	1		
18	CLIP	2		(SUB AH200816)
19	AH200749	RELAY	2		
20	AH127677	CIRCUIT BREAKER	5		
21	AH200461	CIRCUIT BOARD	1		POWER
22	CAP SCREW, AND NUT	1		(SUB AH200816) NO. 4-40NC X 3/8
23	12H354	LOCK WASHER	14		0.112"
24	SPACER	1		(SUB AH200816) 1/4 X 7/8
25	AH200462	CIRCUIT BOARD	1		SWITCH
26	SPACER	1		(SUB AH200816) 1/4 X 1-1/4
27	AH200463	CIRCUIT BOARD	1		DISPLAY
28	SPACER	1		(SUB AH200816) 1/4 X 3/4

1A20

FC: 5234

ELECTRICAL

HARVESTRAK MAIN CONTROL BOX
HP4075 -UN-01JAN94



HP4075

1A21

FC: 5234

ELECTRICAL

HARVESTRAK MAIN CONTROL BOX - CONTINUED

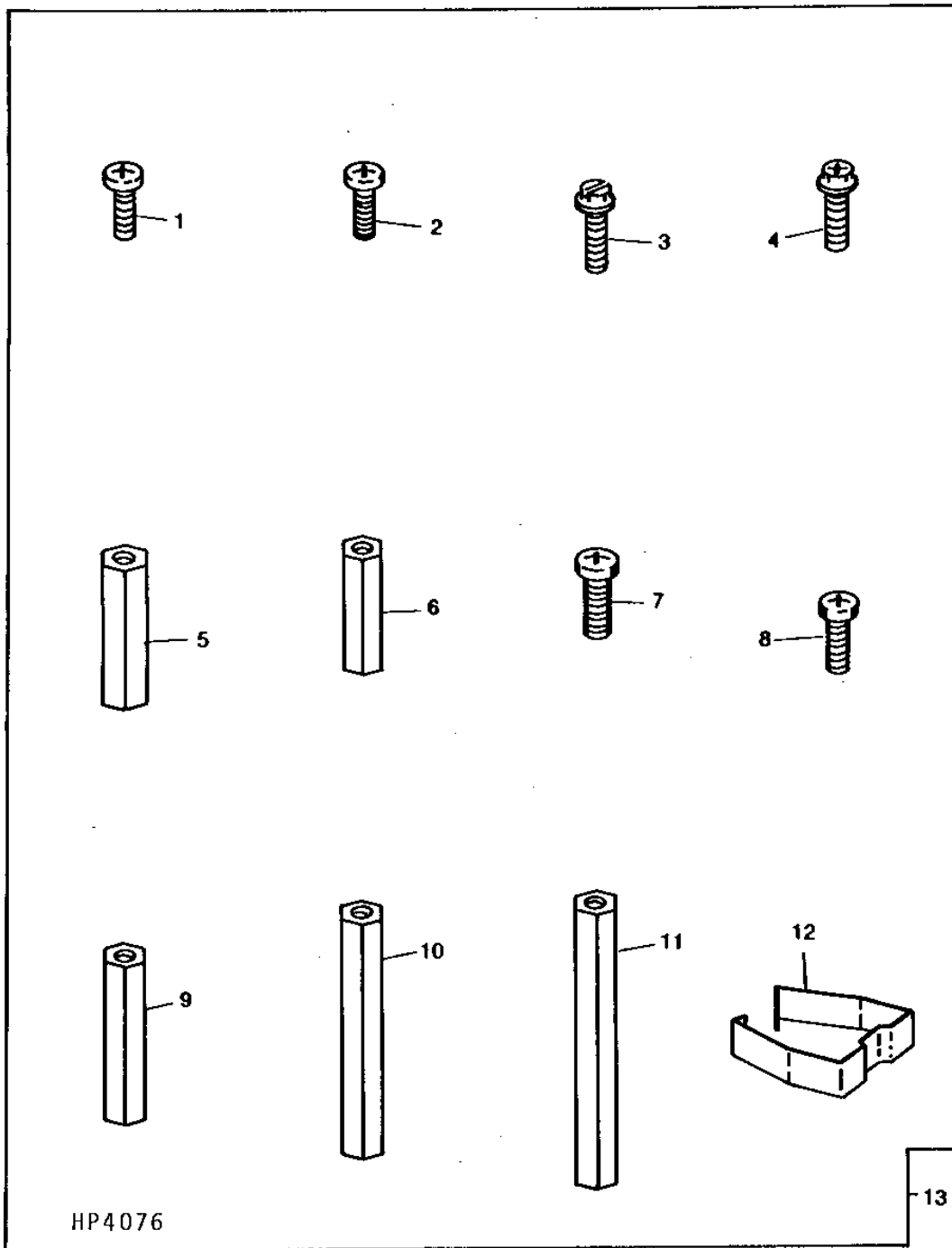
KEY	PART NO.	PART NAME	QTY	SERIAL NO.	REMARKS
1	AH120445	GAUGE	1		
2	AH200641	CONTROL CONSOLE	1		
3	H111364	SCREW	1		
4	AH200645	BRACKET	1		
5	SCREW	4		(SUB AH200816) 8-32 X 3/8
6	AH200755	WIRING HARNESS	1		
7	SPACER	4		(SUB AH200816) 4-40NC X 7/8
8	AH125627	CIRCUIT BOARD	1		
9	SPACER	1		(SUB AH200816) 4-40NC X 1-3/4
10	AH200737	PLATE	1		
11	H130153	KNOB	1		
12	SCREW	4		(SUB AH200816) NO. 4-48NF X 3/8

1A22

FC: 5285

ELECTRICAL

CONTROL BOX HARDWARE KIT
HP4076 -UN-01JAN94



1A23

FC: 5285

ELECTRICAL

CONTROL BOX HARDWARE KIT - CONTINUED

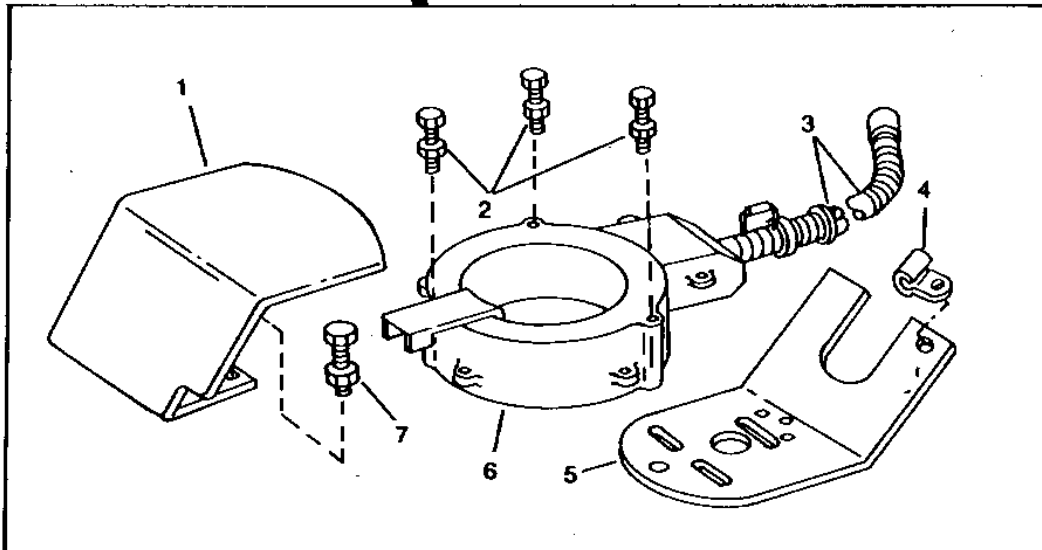
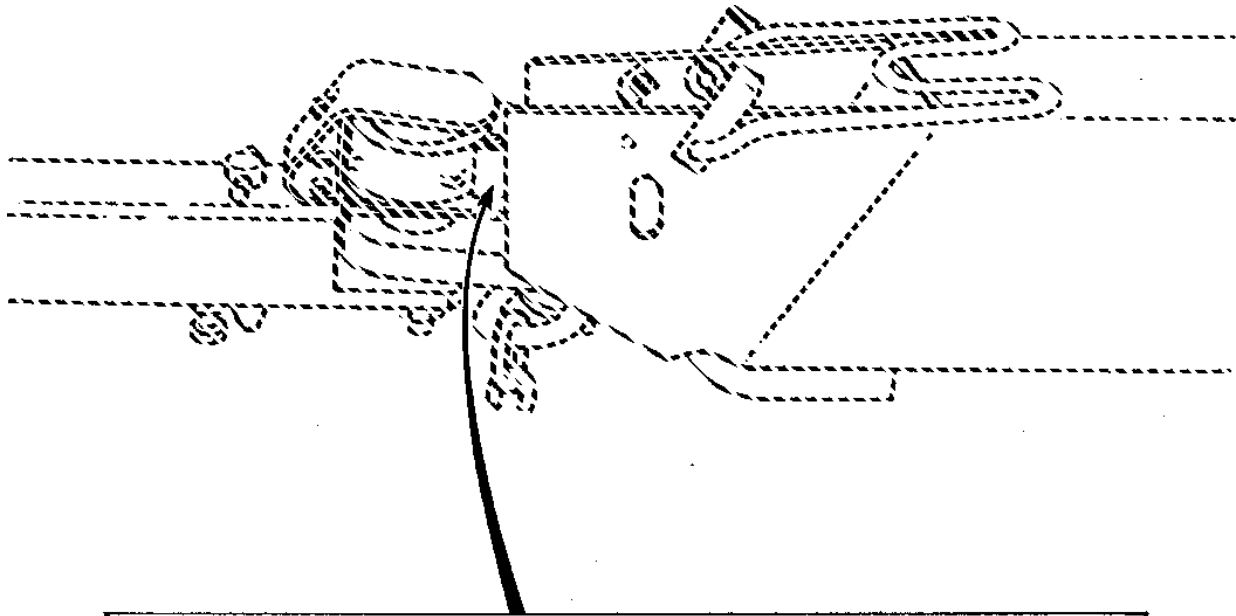
KEY	PART NO.	PART NAME	QTY	SERIAL NO.	REMARKS
1	SCREW	2		4-48NF X 3/8 PAN HEAD
2	SCREW	4		4-40NC X 3/8 PAN HEAD
3	SCREW	2		SPECIAL TAPPING
4	SCREW	4		8-32 X 3/8 SELF TAPPING FL HD
5	SPACER	2		8-32NC X 7/8
6	SPACER	2		4-40NC X 3/4
7	SCREW	2		10-24NC X 3/8 SELF TAPPING PN HD
8	SCREW	2		8-32NC X 3/8 PN HD
9	SPACER	2		4-40NC X 7/8
10	SPACER	2		4-40NC X 1-1/2
11	SPACER	2		4-40NC X 1-3/4
12	CLIP	1		RELAY
13	AH200816	PACKAGE OF PARTS	1		

1A24

FC: 5927

ELECTRICAL

HITCH TUBE HARNESS AND SHORT TURN SENSOR
HP4203 -UN-01JAN94



HP4203

1A25

FC: 5927

ELECTRICAL

HITCH TUBE HARNESS AND SHORT TURN SENSOR - CONTINUED

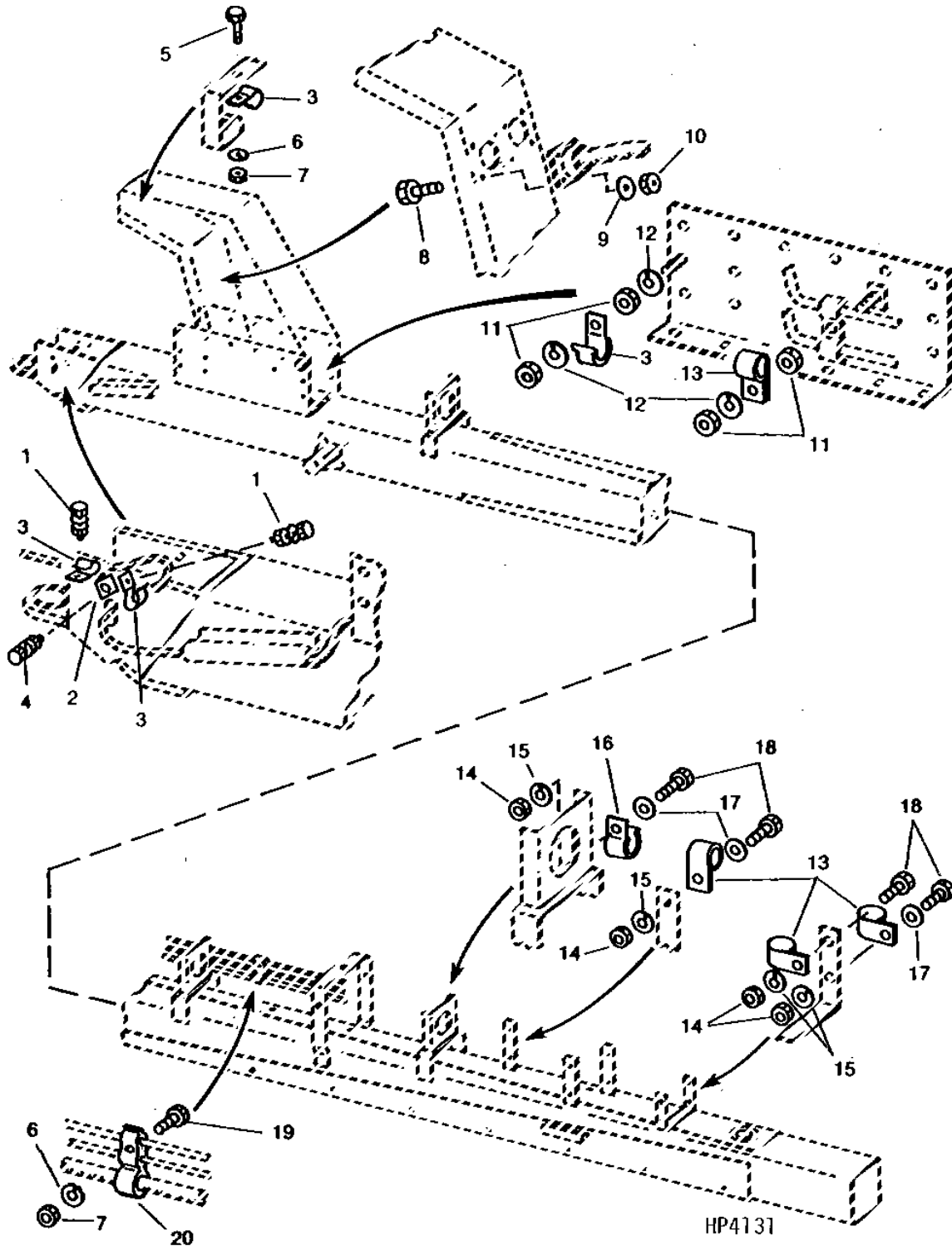
KEY	PART NO.	PART NAME	QTY	SERIAL NO.	REMARKS
1	H97675	PLATE	1		
2	21H1399	SCREW	3		1/4" X 2-1/2"
	12H302	LOCK WASHER	3		1/4"
	14H786	NUT	3		1/4"
3	R70212	RECEPTACLE	1		
	AR91793	SOCKET CONTACT	1		
4	AH89557	CLIP	3		
5	H97674	PLATE	1		ACTIVATOR
6	AH96249	SENDER	1		SHORT TURN
7	19H1731	CAP SCREW	2		3/8" X 1"
	12H304	LOCK WASHER	2		3/8"

1B1

FC: 5281

ELECTRICAL

HITCH MAIN HARNESS ASSEMBLY
HP4131 -UN-01JAN94



1B2

FC: 5281

ELECTRICAL

HITCH MAIN HARNESS ASSEMBLY - CONTINUED

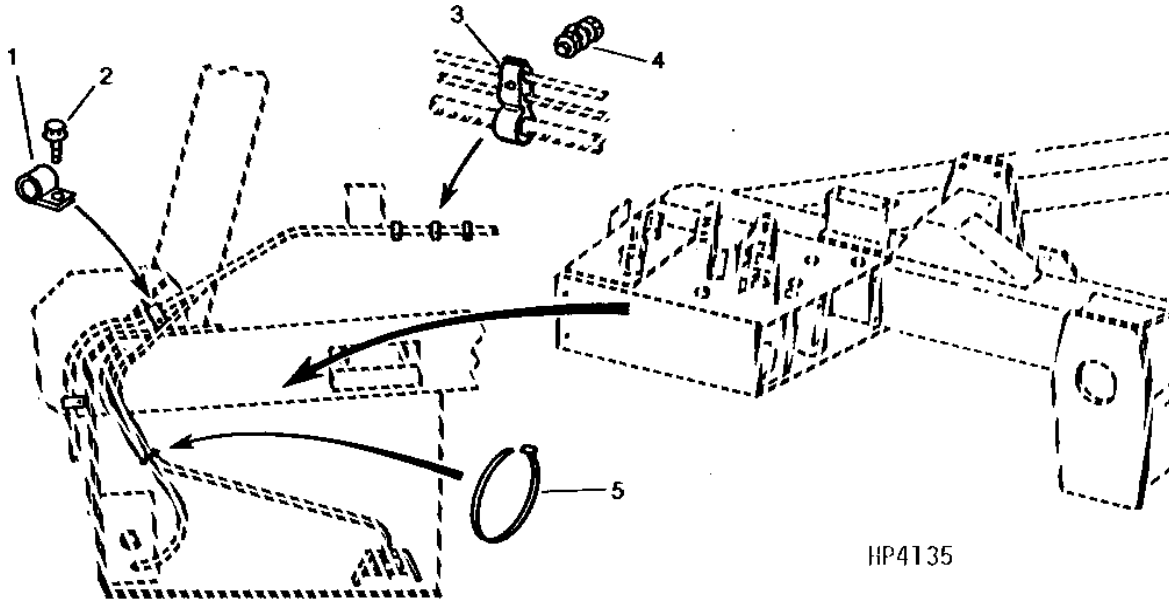
KEY	PART NO.	PART NAME	QTY	SERIAL NO.	REMARKS
1	19H1900	CAP SCREW	2		5/16" X 3/4"
	12H303	LOCK WASHER	2		5/16"
	14H785	NUT	2		5/16"
2	H103451	ANGLE	1		
3	AH89557	CLIP	4		
4	19H1914	CAP SCREW	1		1/4" X 1"
	12H302	LOCK WASHER	1		1/4"
	24H1287	WASHER	1		9/32" X 5/8" X 0.065"
	14H786	NUT	1		1/4"
5	19H1948	CAP SCREW	1		1/4" X 3/4"
6	12H302	LOCK WASHER	1		1/4"
7	14H786	NUT	1		1/4"
8	21H1290	SCREW	1		0.138" X 1/2"
9	12H321	WASHER	1		0.138"
10	14H1026	NUT	1		0.138"
11	14H812	NUT	2		3/8"
12	12H304	LOCK WASHER	2		3/8"
13	T26955	CLAMP	5		
14	14H785	NUT	7		5/16"
15	12H303	LOCK WASHER	7		5/16"
16	AH130222	CLAMP	3		
17	24H1136	WASHER	6		11/32" X 11/16" X 0.065"
18	19H1900	CAP SCREW	7		5/16" X 3/4"
19	03H2127	BOLT	8		1/4" X 1"
20	AH200650	CLIP	8		

1B3

FC: 5281

ELECTRICAL

HITCH MAIN HARNESS ASSEMBLY
HP4135 -UN-01JAN94



HP4135

KEY	PART NO.	PART NAME	QTY	SERIAL NO.	REMARKS
1	T26955	CLAMP	2		
2	H65108	SCREW	2		
3	AH200650	CLIP	3		7.938 X 12.700 MM (5/16" X 1/2") (SUB H78354)
4	03H2127	BOLT	3		1/4" X 1"
	12H302	LOCK WASHER	3		1/4"
	24H1287	WASHER	3		9/32" X 5/8" X 0.065"
	14H786	NUT	3		1/4"
5	R44302	TIE BAND	3		

FC: 0000

ELECTRICAL

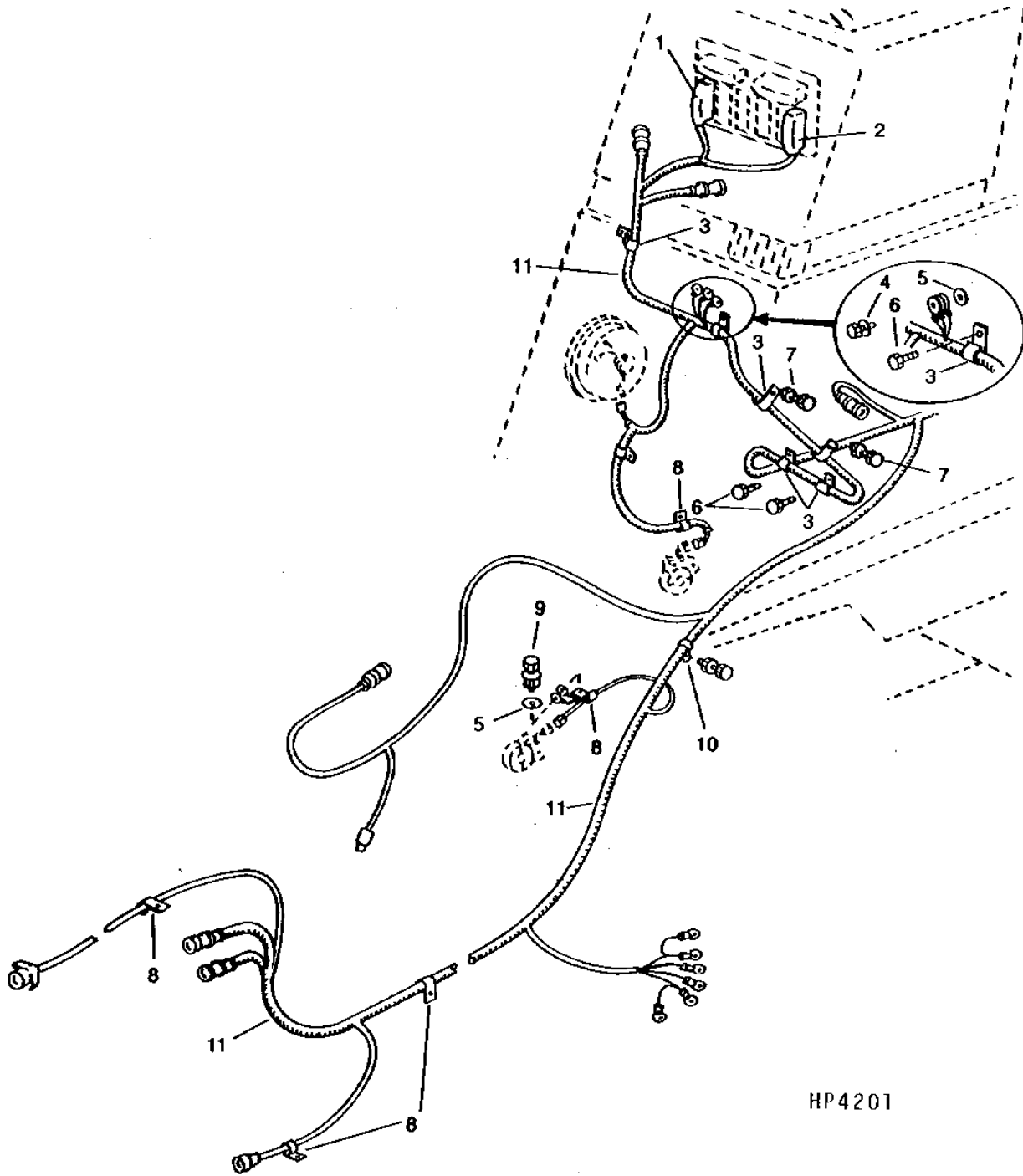
MEMORANDA

1B4

FC: 5281

ELECTRICAL

L.H. MAIN WIRING HARNESS, L.H. FRONT
HP4201 -UN-01JAN94



HP4201

1B5

FC: 5281

ELECTRICAL

L.H. MAIN WIRING HARNESS, L.H. FRONT - CONTINUED

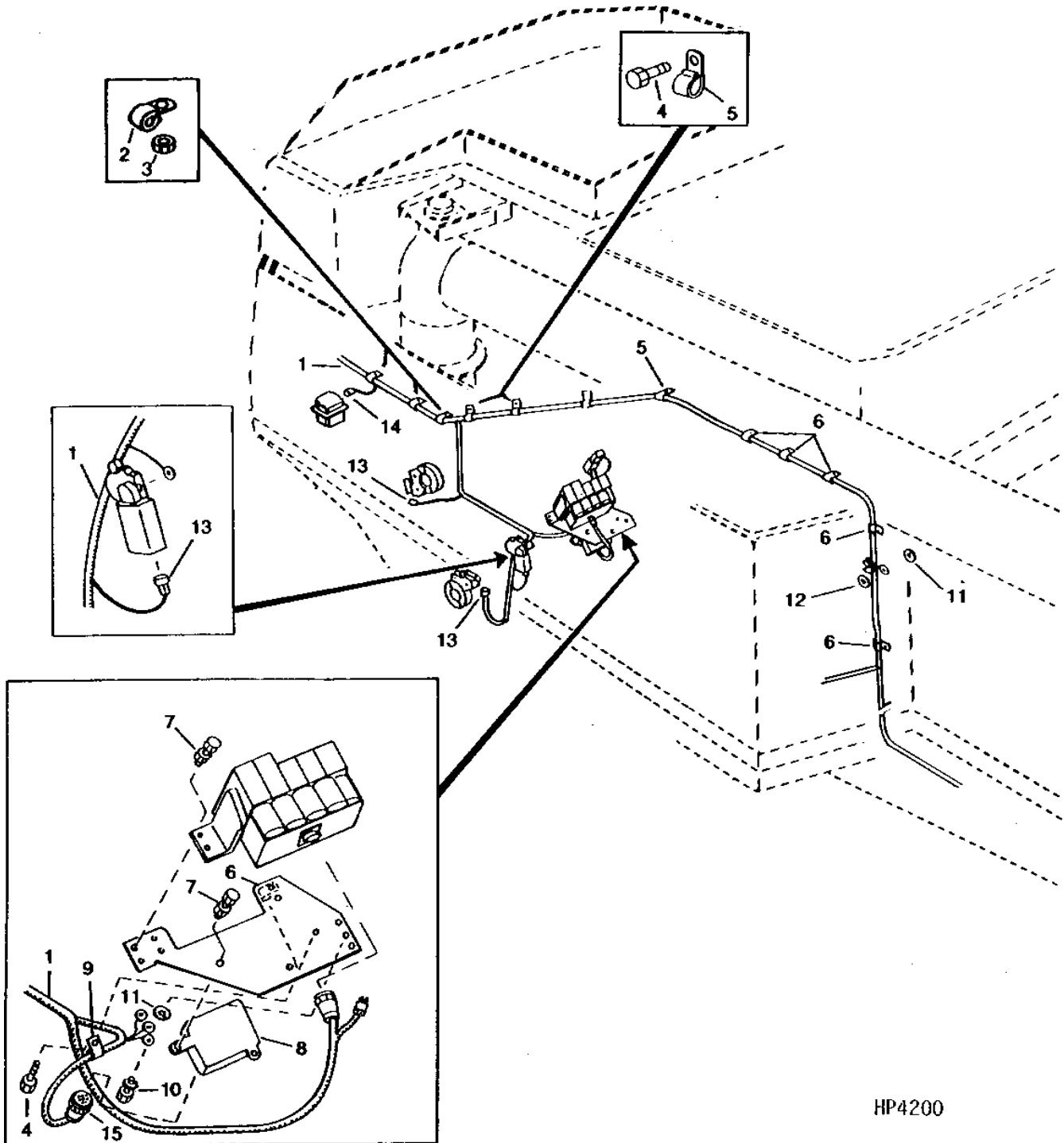
KEY	PART NO.	PART NAME	QTY	SERIAL NO.	REMARKS
1	H141127	BOOT	1		
	H141406	TIE BAND	1	(SUB M86436)	
	R77463	SOCKET CONTACT	1		
	R77465	SOCKET CONTACT	AR		
2	H141127	BOOT	1		
	H141406	TIE BAND	1	(SUB M86436)	
	R77463	SOCKET CONTACT	1		
	R77465	SOCKET CONTACT	AR		
3	AH117301	CLAMP	1		
4	37M7083	SCREW	1	M8 X 12	
	24M7055	WASHER	1	8.400 X 16 X 1.600 MM	
5	12M7032	LOCK WASHER	1	8.400 MM	
6	37M7083	SCREW	1	M8 X 12	
7	19M7865	SCREW	2	M8 X 16	
	14M7298	FLANGE NUT	2	M8	
8	AH89557	CLIP	1		
9	37M7059	SCREW	1	M5 X 12	
	24M7055	WASHER	1	8.400 X 16 X 1.600 MM	
	14M7298	FLANGE NUT	1	M8	
10	AH130222	CLAMP	1		
11	AH200280	WIRING HARNESS	1		

1B6

FC: 5281

ELECTRICAL

L.H. MAIN WIRING HARNESS, L.H. CENTER
HP4200 -UN-01JAN94



HP4200

1B7

FC: 5281

ELECTRICAL

L.H. MAIN WIRING HARNESS, L.H. CENTER - CONTINUED

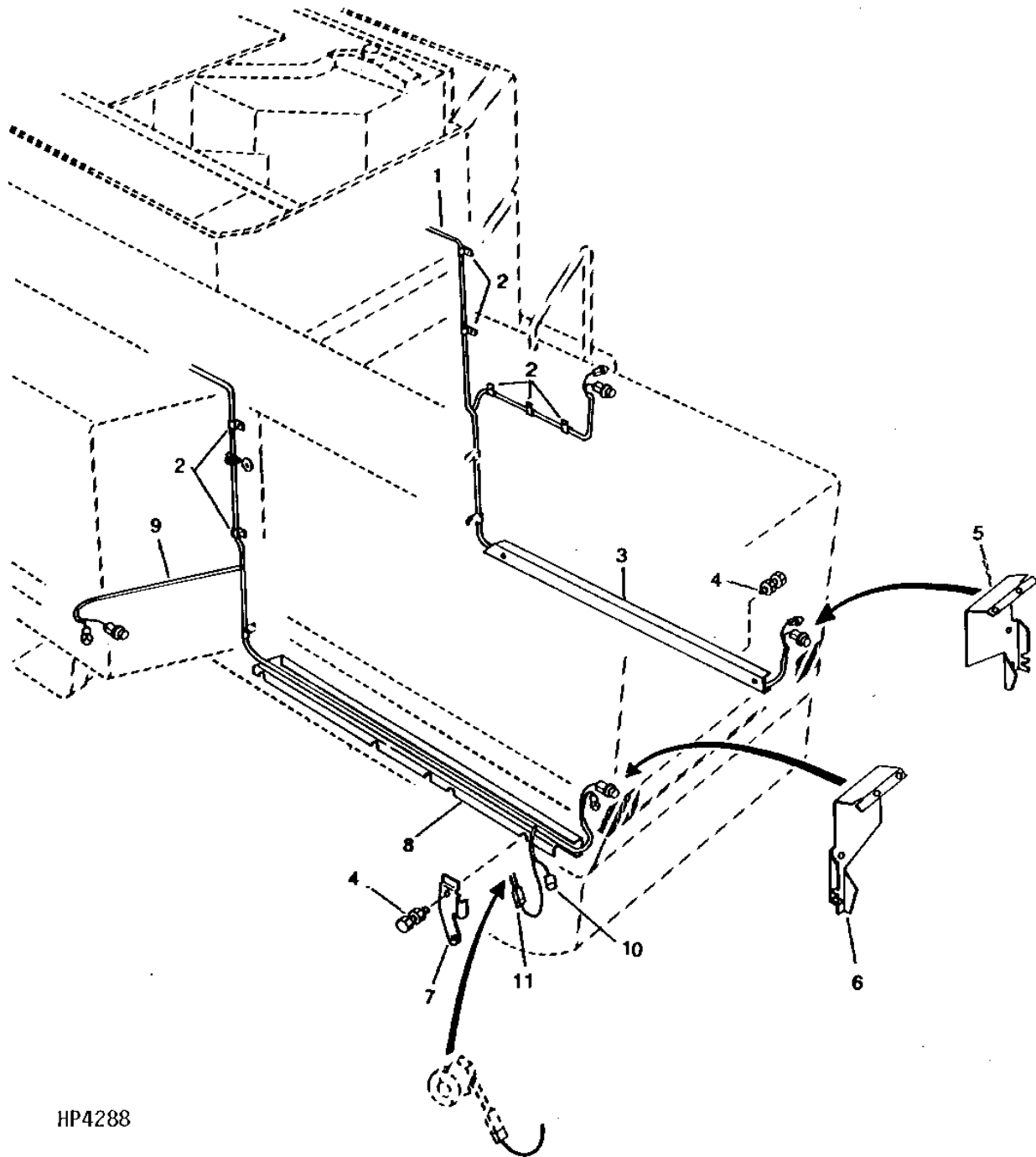
KEY	PART NO.	PART NAME	QTY	SERIAL NO.	REMARKS
1	AH200280	WIRING HARNESS	1		
2	AH130222	CLAMP	3		
3	14M7299	FLANGE NUT	3	M12	
4	37M7083	SCREW	3	M8 X 12	
5	AH90990	CLIP	4		
6	AH89557	CLIP	8		
7	19M7865	SCREW	4	M8 X 16	
	14M7298	FLANGE NUT	5	M8	
8	AH200648	MODULE	1		
9	AH89486	CLIP	1		
10	37M7083	SCREW	1	M8 X 12	
	24M7055	WASHER	1	8.400 X 16 X 1.600 MM	
11	12M7032	LOCK WASHER	2	8.400 MM	
12	24M7055	WASHER	1	8.400 X 16 X 1.600 MM	
13	RE12363	CONNECTOR	1	(PKG OF 3) - TO FAN SPEED CONTROL MOTOR	
	R78048	TERMINAL NIPPLE	1	(PKG OF 5)	
14	AE44392	CONNECTOR	1	4 HOLES, FEMALE - TO REEL SPEED CONTROL MOTOR	
	R77465	SOCKET CONTACT	1		
15	AH135787	ELECTRICAL PLUG	1		
	H141325	CONNECTOR	1		

1B8

FC: 5281

ELECTRICAL

L.H. AND R.H. MAIN WIRING HARNESS, L.H. AND R.H. REAR
HP4288 -UN-01JAN94



HP4288

1B9

FC: 5281

ELECTRICAL

L.H. AND R.H. MAIN WIRING HARNESS, L.H. AND R.H. REAR - CONTINUED

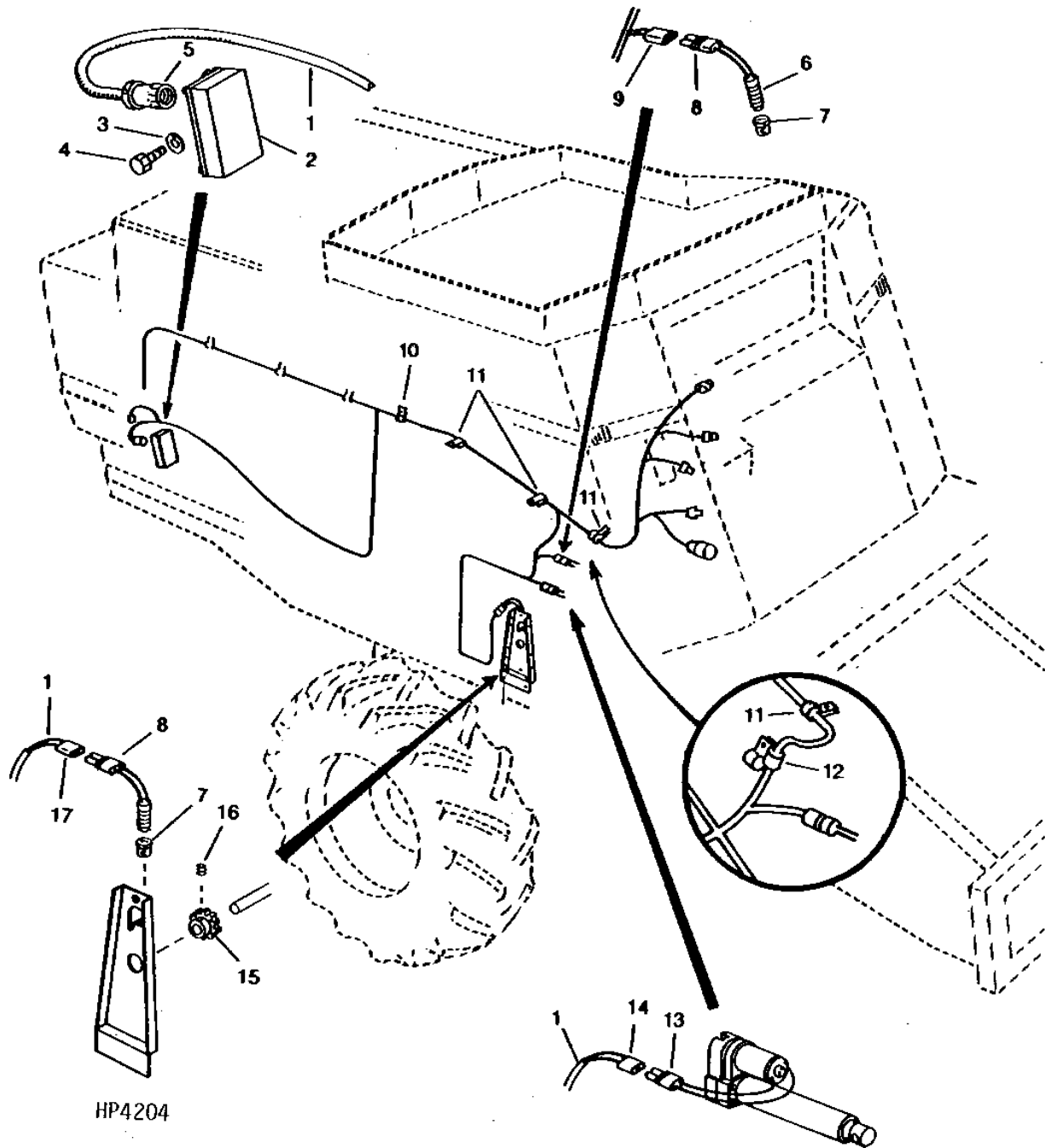
KEY	PART NO.	PART NAME	QTY	SERIAL NO.	REMARKS
1	AH200281	WIRING HARNESS	1		R.H. MAIN
2	AH89557	CLIP	7		
3	H131017	SHIELD	1		R.H.
4	19M7867	SCREW	10		
	14M7298	FLANGE NUT	10		M8
5	H134171	SHIELD	1		R.H.
6	H134172	SHIELD	1		L.H.
7	H134831	RETAINER	1	-640400	
	AH89557	CLIP	1	640401-	
	37M7058	SCREW	1	640401-	M8 X 20
8	H137303	SHIELD	1		L.H. (SUB H144013)
	H144013	SHIELD	1		
9	AH200280	WIRING HARNESS	1		L.H. MAIN
10	R78053	CONNECTOR	1		(PKG OF 3)
	R78063	TERMINAL NIPPLE	1		(PKG OF 40)
11	RE12363	CONNECTOR	1		(PKG OF 3)
	R78048	TERMINAL NIPPLE	1		(PKG OF 5)

1B10

FC: 5281

ELECTRICAL

R.H. MAIN WIRING HARNESS
HP4204 -UN-01JAN94



1B11

FC: 5281

ELECTRICAL

R.H. MAIN WIRING HARNESS - CONTINUED

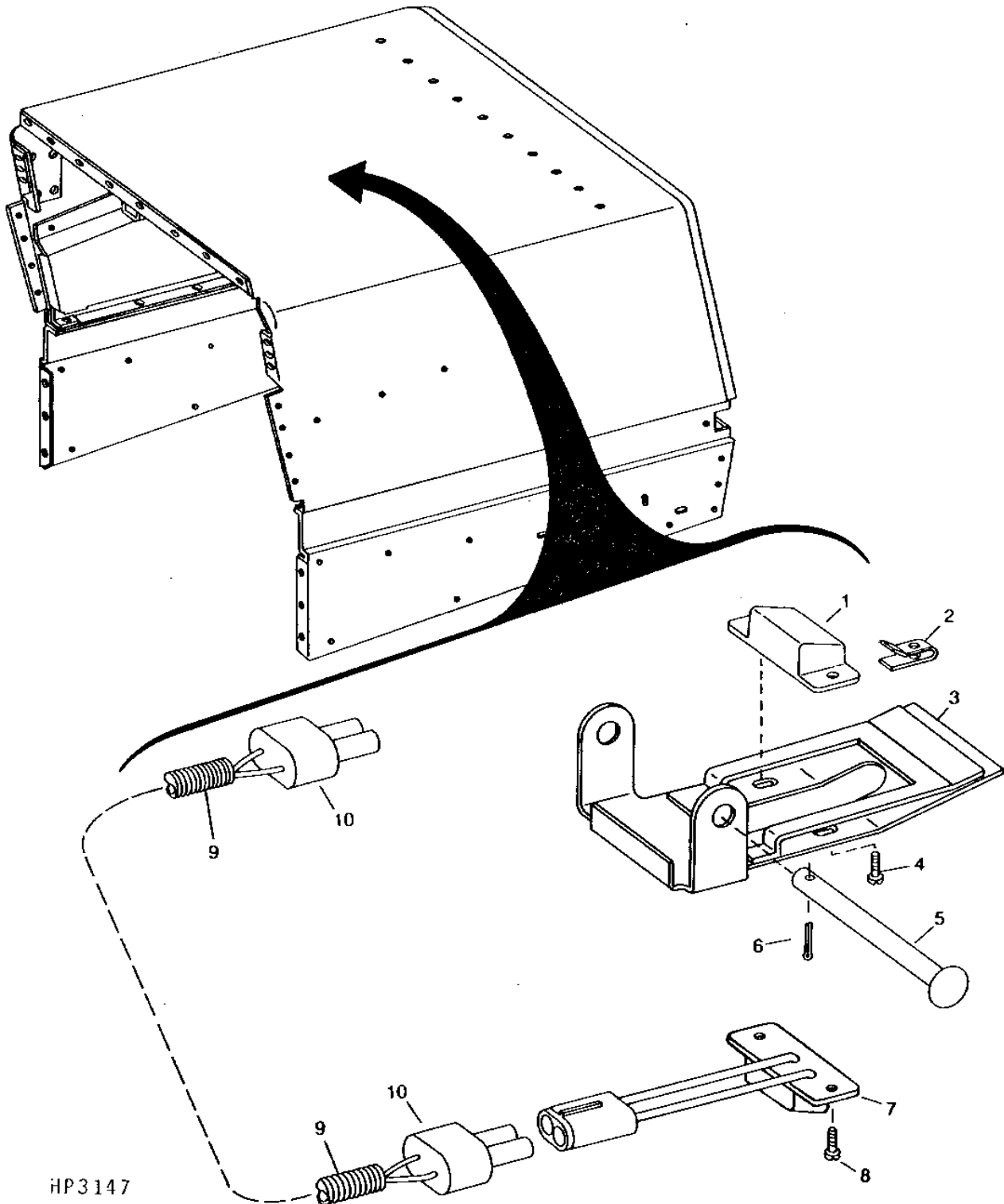
KEY	PART NO.	PART NAME	QTY	SERIAL NO.	REMARKS
1	AH200281	WIRING HARNESS	1		(EXPORT ONLY)
2	AH125744	PRINTED CIRCUIT	1		
3	12H310	LOCK WASHER	1	3/8"	
4	37M7058	SCREW	1	M8 X 20	
5	AE44392	CONNECTOR	1		4 HOLES, FEMALE (INTO PRE-AMP MODULE)
	R77463	SOCKET CONTACT	AR		
6	AH116104	SENSOR	2		LOW SHAFT SPEED
7	H121110	CLIP	2		
8	RE12363	CONNECTOR	1		(PKG OF 3)
	R78048	TERMINAL NIPPLE	1		(PKG OF 5)
	R78060	SOCKET CONTACT	2		(PKG OF 40)
9	R78053	CONNECTOR	1		(PKG OF 3)
	R78063	TERMINAL NIPPLE	2		(PKG OF 40)
	R78058	PIN CONTACT	2		(PKG OF 40)
	R78059	TERMINAL NIPPLE	1		(PKG OF 40)
10	AH90990	CLIP	1		
11	H117952	CLAMP	4		
12	AH89557	CLIP	1		
13	RE12363	CONNECTOR	1		(PKG OF 3)
	R78048	TERMINAL NIPPLE	2		(PKG OF 5)
	R78060	SOCKET CONTACT	2		(PKG OF 40)
14	R78053	CONNECTOR	1		(PKG OF 3) (TO CONCAVE ACTUATOR)
	R78063	TERMINAL NIPPLE	2		(PKG OF 40)
	R78061	PIN CONTACT	2		(PKG OF 40)
15	H122372	WHEEL	1		
16	22M7027	SET SCREW	1	M6 X 16	
17	R78053	CONNECTOR	1		(PKG OF 3)
	R78063	TERMINAL NIPPLE	1		(PKG OF 40)
	R78058	PIN CONTACT	2		(PKG OF 40)
	R78059	TERMINAL NIPPLE	2		(PKG OF 40)

1B12

FC: 5232

ELECTRICAL

STRAW WALKER (PLUGGING) SENSING SWITCH
HP3147 -UN-01JAN94



HP3147

1B13

FC: 5232

ELECTRICAL

STRAW WALKER (PLUGGING) SENSING SWITCH - CONTINUED

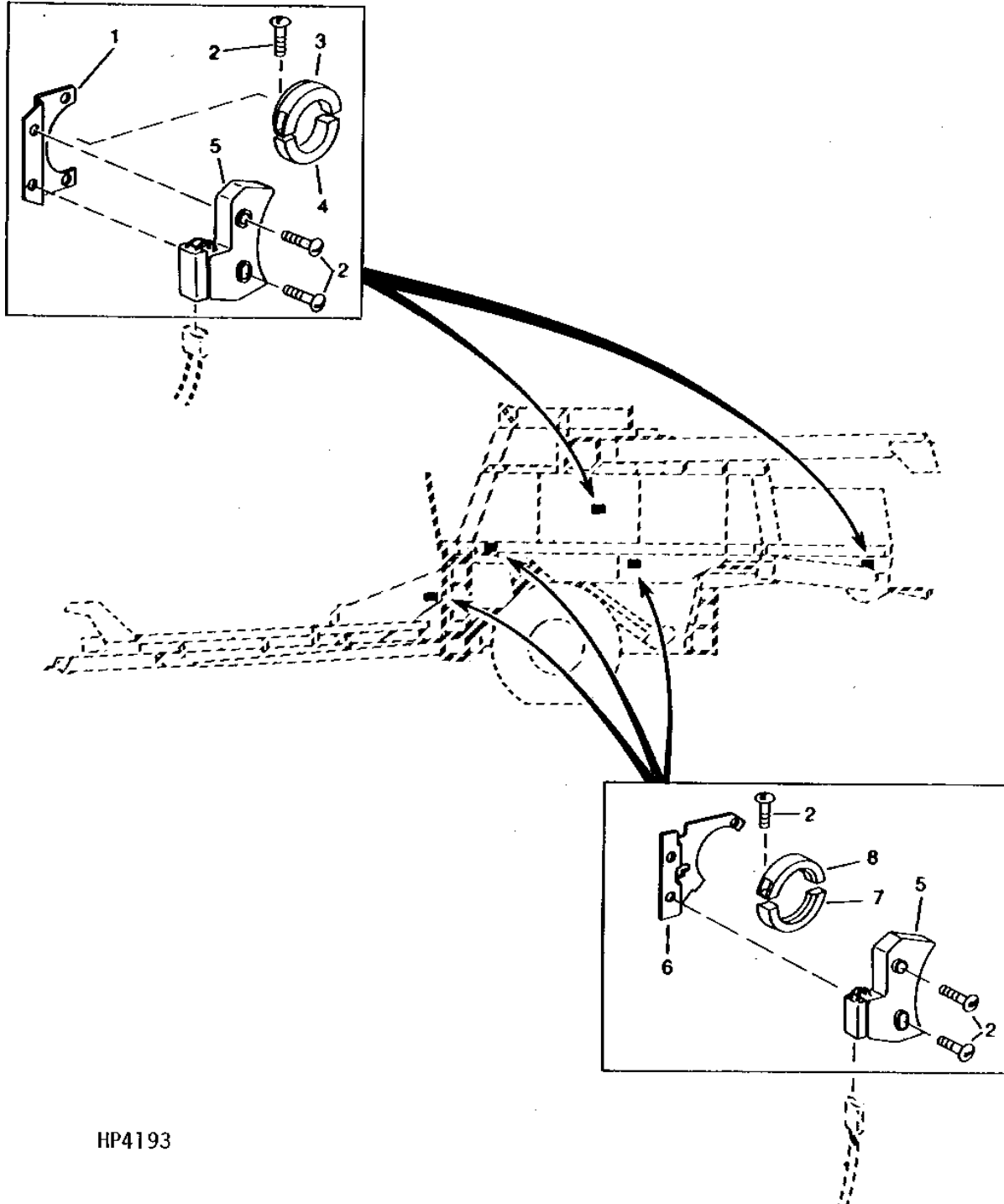
KEY	PART NO.	PART NAME	QTY	SERIAL NO.	REMARKS
1	AH130603	ACTUATOR	1		
2	H140628	NUT	2		
3	AH134524	ARM	1		
4	37M7072	SCREW	2		
5	45M7035	PIN	1	10 X 90 MM	
6	11M7012	COTTER PIN	1	3.200 X 16 MM	
7	AH130602	SWITCH	1		
8	37M7100	SCREW	2		
9	AH125036	WIRING HARNESS	1		
10	RE12363	CONNECTOR	1	(PKG OF 3)	
	R78048	TERMINAL NIPPLE	1	(PKG OF 5)	
	R78063	TERMINAL NIPPLE	1	(PKG OF 40)	
	R78060	SOCKET CONTACT	1	(PKG OF 40)	

1B14

FC: 5233

ELECTRICAL

LOW SHAFT SPEED MONITORS AND BRACKETS
HP4193 -UN-01JAN94



HP4193

1B15

FC: 5233

ELECTRICAL

LOW SHAFT SPEED MONITORS AND BRACKETS - CONTINUED

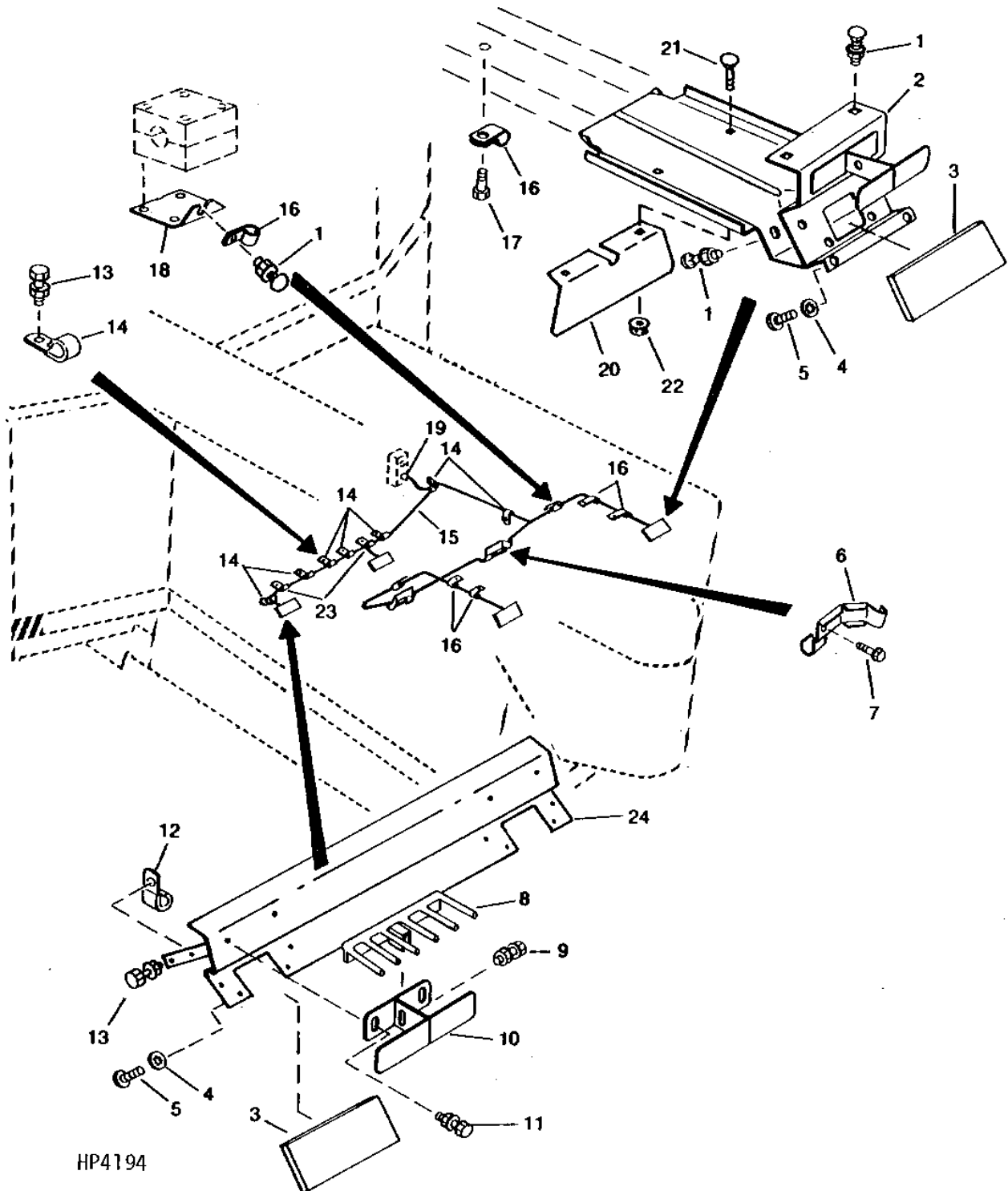
KEY	PART NO.	PART NAME	QTY	SERIAL NO.	REMARKS
1	AH100012	BRACKET	2		(SUB H148270)
	H148270	BRACKET	2		
2	21H1419	SCREW	20		0.190" X 1"
3	H104793	ACTUATOR	2		
4	H104794	ACTUATOR	2		
5	AH131320	SWITCH	5		
6	AH100013	BRACKET	3		(SUB H148271 AND (2) 37M7077)
7	H104796	ACTUATOR	3		
8	H104795	ACTUATOR	3		

1B16

FC: 5234

ELECTRICAL

HARVESTRAK MONITOR SYSTEM AND WIRING HARNESS
HP4194 -UN-01JAN94



1B17

FC: 5234

ELECTRICAL

HARVESTRAK MONITOR SYSTEM AND WIRING HARNESS - CONTINUED

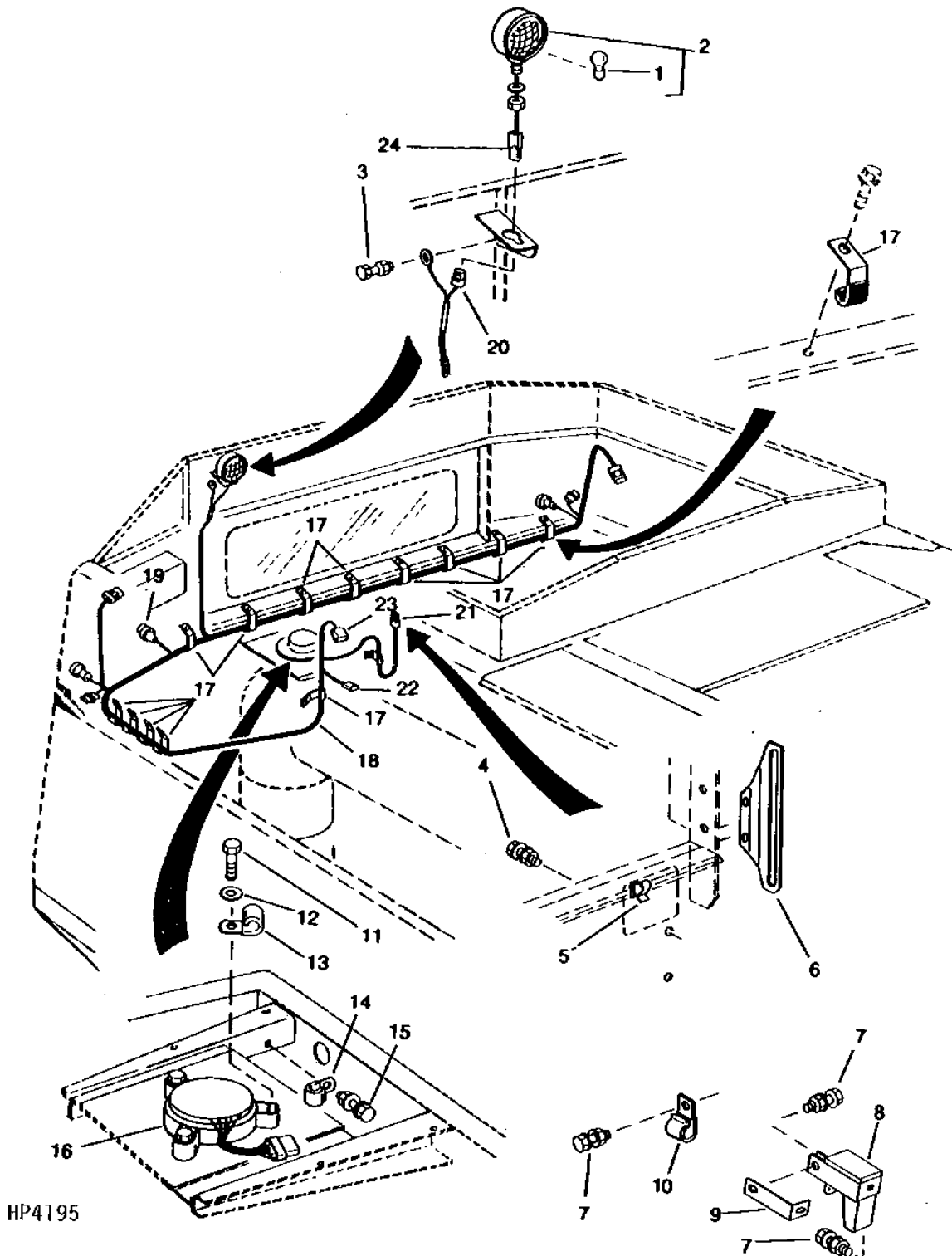
KEY	PART NO.	PART NAME	QTY	SERIAL NO.	REMARKS
1	03M7183	BOLT	10		M8 X 16
	14M7298	FLANGE NUT	10		M8
2	AH135047	BRACKET	2		(SUB AH141038)
	AH141038	SUPPORT	2		
3	AH126272	SENSOR	4		
4	12H295	LOCK WASHER	16		0.190", (INTERNAL TOOTH)
5	21H1427	SCREW	16		0.190" X 1/2"
6	H132812	RETAINER	1		RIGHT-HAND
	H132813	RETAINER	1		LEFT-HAND
7	37M7083	SCREW	2		M8 X 12, (SELF-TAPPING)
8	H114411	FINGER	2		
9	19M7863	SCREW	2		M6 X 25
	14M7303	FLANGE NUT	2		M6
10	AH125672	DEFLECTOR	2		
11	19M7162	CAP SCREW	4		M8 X 16
	14M7298	FLANGE NUT	4		M8
12	T74410	CLAMP	2		
13	19M7784	SCREW	4		M10 X 20
	14M7298	FLANGE NUT	8		M8
14	AH89557	CLIP	7		
15	AH128422	WIRING HARNESS	1		
16	AH77724	CLIP	6		
17	37M7089	SCREW	2		M6 X 12, (SELF-TAPPING)
18	H140074	PLATE	2		(SUB H87268)
19	H118422	ELECTRICAL PLUG	1		9 HOLES, FEMALE (TO PRE-AMP)
	R77465	SOCKET CONTACT	AR		
20	H140414	DEFLECTOR	2		
21	03M7184	BOLT	8		M8 X 20
22	14M7396	LOCK NUT	8		M8
23	AH77279	CLIP	2		
24	AH200061	SUPPORT	1		

1B18

FC: 5281

ELECTRICAL

GRAIN TANK WIRING HARNESS, LIGHT, LIMIT SWITCH AND LEVEL MONITOR
HP4195 -UN-01JAN94



HP4195

1B19

FC: 5281

ELECTRICAL

GRAIN TANK WIRING HARNESS, LIGHT, LIMIT SWITCH AND LEVEL MONITOR - CONTINUED

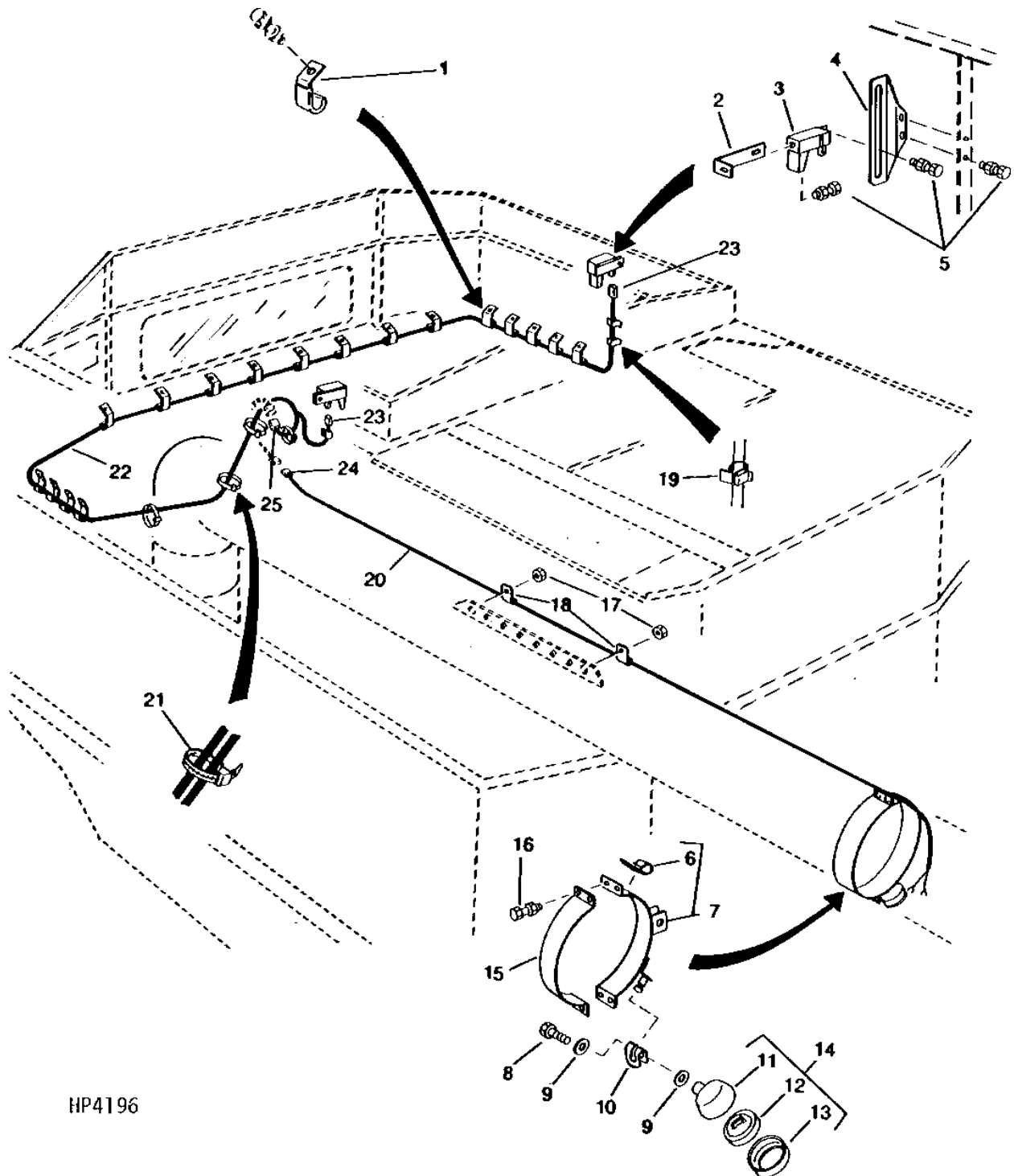
KEY	PART NO.	PART NAME	QTY	SERIAL NO.	REMARKS
1	AD2062R	BULB	1		
2	AH133109	LAMP	1		
3	19M7865	SCREW	1		M8 X 16, (FOR WIRING HARNESS GROUND WIRE)
	14M7298	FLANGE NUT	1		M8
4	19M7866	SCREW	2		M8 X 20
	14M7298	FLANGE NUT	2		M8
5	H76064	CLIP	1		
6	H135072	BRACKET	1		
7	19M7775	SCREW	4		M6 X 16
	14M7303	FLANGE NUT	4		M6
8	AH121475	SENSOR	1		
9	H133645	REINFORCEMENT	1		
10	T32231	CLAMP	1		
11	19M7177	CAP SCREW	3		M6 X 35
12	24M7054	WASHER	3		6.400 X 12 X 1.600 MM
13	AH89557	CLIP	1		
14	AH89486	CLIP	1		
15	19M7865	SCREW	1		M8 X 16
	14M7298	FLANGE NUT	1		M8
16	AH137183	SWITCH	1		(SUB AH140989)
17	H130637	CLAMP	13		
18	AH128404	WIRING HARNESS	1		(SUB AH134239)
19	H118425	CONNECTOR	1		(22 HOLES, MIXED)
	AE44930	CONNECTOR	1		
	R78057	SOCKET CONTACT	1		(PKG OF 40)
	R78060	SOCKET CONTACT	1		(PKG OF 40)
20	RE12362	CONNECTOR	1		(PKG OF 3)
	R78047	SEAL	1		(PKG OF 5)
21	RE12363	CONNECTOR	1		(PKG OF 3)
	R78048	TERMINAL NIPPLE	1		(PKG OF 5)
	R78057	SOCKET CONTACT	1		(PKG OF 40)
22	R78053	CONNECTOR	1		(PKG OF 3)
	R78063	TERMINAL NIPPLE	1		(PKG OF 40)
	R78060	SOCKET CONTACT	1		(PKG OF 40)
	R78061	PIN CONTACT	1		(PKG OF 40)
23	RE12366	CONNECTOR	1		(PKG OF 2)
	R78051	SEAL	1		(PKG OF 5)
	R78060	SOCKET CONTACT	1		(PKG OF 40)
24	R78052	CONNECTOR	1		(PKG OF 3)
	R78061	PIN CONTACT	1		(PKG OF 40)

1B20

FC: 5281

ELECTRICAL

GRAIN TANK DUAL LEVEL MONITOR HARNESS
HP4196 -UN-01JAN94



HP4196

1B21

FC: 5281

ELECTRICAL

GRAIN TANK DUAL LEVEL MONITOR - CONTINUED

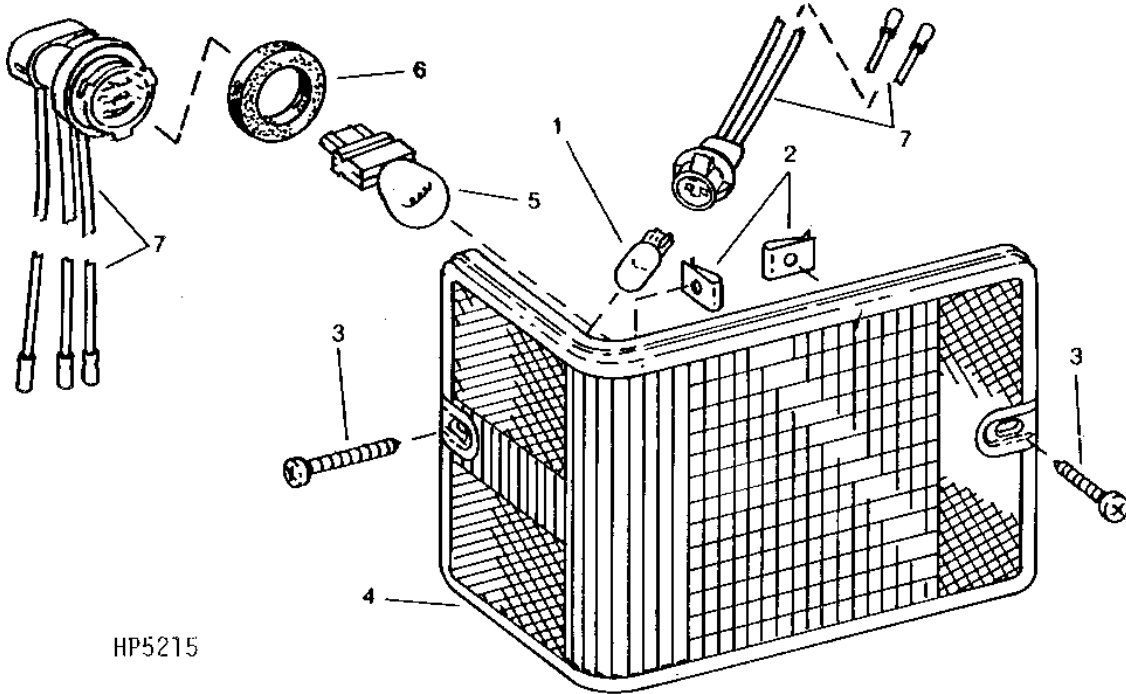
KEY	PART NO.	PART NAME	QTY	SERIAL NO.	REMARKS
1	H130637	CLAMP	5		
2	H133645	REINFORCEMENT	1		
3	AH121475	SENSOR	1		
4	H135072	BRACKET	1		
5	19M7775	SCREW	4	M6 X 16	
	14M7303	FLANGE NUT	4	M6	
6	AH89557	CLIP	1		
7	AH126541	CLAMP	1		
8	19H1974	CAP SCREW	1	1/2" X 2-3/4"	
9	24H1111	WASHER	2	17/32" X 1-1/16" X 0.090"	
10	R67377	CLAMP	1		
11	HOUSING	1	(SERVICED IN AH98901)	
12	AR42591	HEADLIGHT	1	35 WATT	
13	R31250	BEZEL	1		
14	AH98901	LAMP	1		
15	H133178	CLAMP	1		
16	19M7800	SCREW	4	M8 X 50	
	14M7396	LOCK NUT	4		
17	14M7298	FLANGE NUT	2	M8	
18	AH89557	CLIP	2		
19	H76064	CLIP	5		
20	AH117016	WIRING HARNESS	1	(SUB AH117018) (3900 MM) USE WITH 4.3 M (14 FT.) AUGER	
	AH117017	WIRING HARNESS	1	(4700 MM) USE WITH 5.2 M (17 FT.) AUGER	
21	M66044	TIE BAND	7		
22	AH128986	WIRING HARNESS	1		
23	RE12363	CONNECTOR	1	(PKG OF 3)	
	R78048	TERMINAL NIPPLE	1	(PKG OF 5)	
	R78057	SOCKET CONTACT	1		
24	RE12363	CONNECTOR	1	(PKG OF 3)	
	R78048	TERMINAL NIPPLE	1	(PKG OF 5)	
	R78060	SOCKET CONTACT	1	(PKG OF 40)	
25	R78053	CONNECTOR	1	(PKG OF 3)	
	R78063	TERMINAL NIPPLE	1	(PKG OF 40)	
	R78058	PIN CONTACT	1	(PKG OF 40)	

1B22

FC: 5282

ELECTRICAL

FRONT AND REAR TURN AND TAIL LIGHTS
HP5215 -UN-01JAN94



HP5215

KEY	PART NO.	PART NAME	QTY	SERIAL NO.	REMARKS
1	AR62407	BULB	6		
2	H140628	NUT	12		
3	H140627	SCREW	12		
4	AH123014	LAMP	1		AMBER, R.H. FRONT
	AH123015	LAMP	1		AMBER, L.H. FRONT
	AH123016	LAMP	2		RED, R.H. AND L.H. REAR
	AH123017	LAMP	2		AMBER, R.H. AND L.H. REAR
5	H133384	BULB	6		
6	H141955	SEAL	1		SOCKET KIT (CONTAINS ONE LARGE REAR SOCKET AND ONE SMALL SIDE SOCKET)
7	AH140120	KIT	1		

FC: 0000

ELECTRICAL

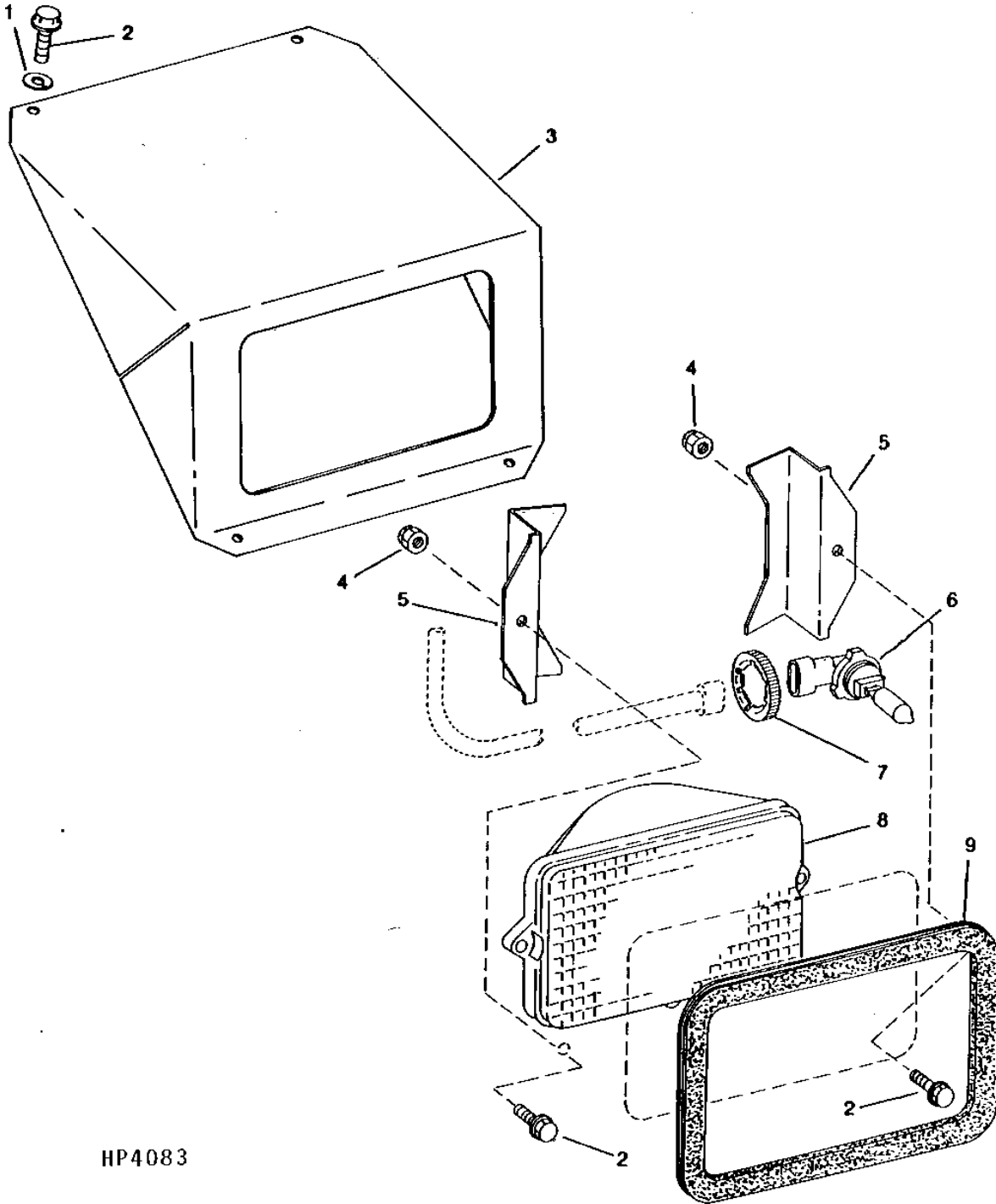
MEMORANDA

1B23

FC: 5282

ELECTRICAL

HEADER LIGHT
HP4083 -UN-01JAN94



HP4083

1B24

FC: 5282

ELECTRICAL

HEADER LIGHT - CONTINUED

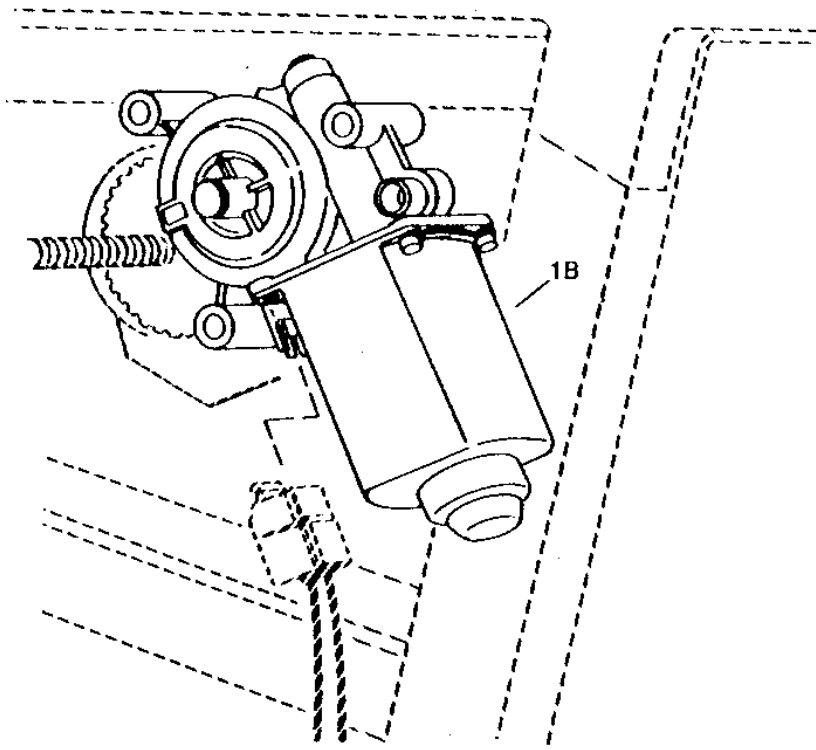
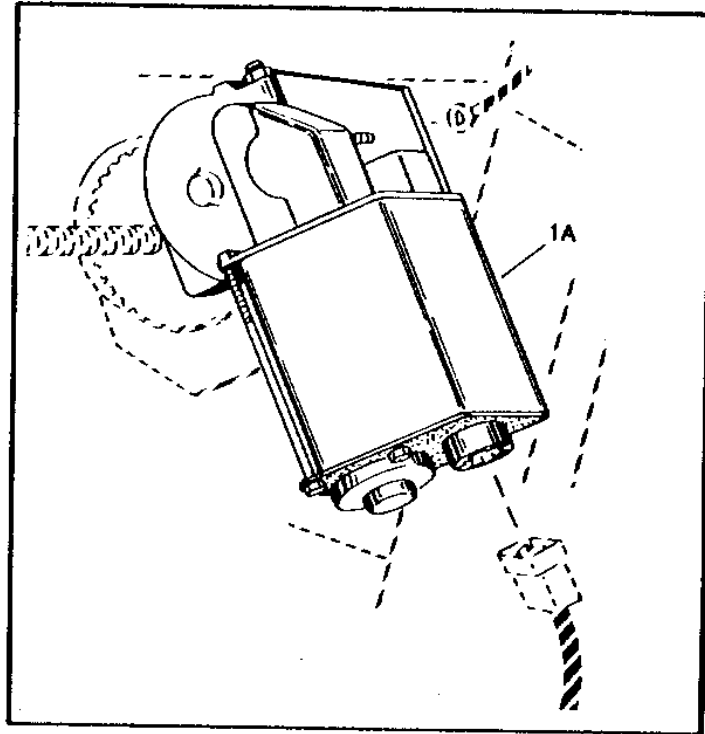
KEY	PART NO.	PART NAME	QTY	SERIAL NO.	REMARKS
1	12H302	LOCK WASHER	4	1/4"	
2	19H1948	CAP SCREW	6	1/4" X 3/4"	
3	AH200578	BRACKET	1		
4	M40333	LOCK NUT	2	6.350 MM (1/4")	
5	H132687	RETAINER	2		
6	AH127718	BULB	1		
7	H132900	RETAINER	1		
8	AH128328	LAMP	1		
9	H132686	GROMMET	1		

1C1

FC: 5245

ELECTRICAL

SEPARATOR FAN DRIVE ADJUSTING MOTOR
HP5763 -UN-01JAN94



HP5763

1C2

FC: 5245

ELECTRICAL

SEPARATOR FAN DRIVE ADJUSTING MOTOR - CONTINUED

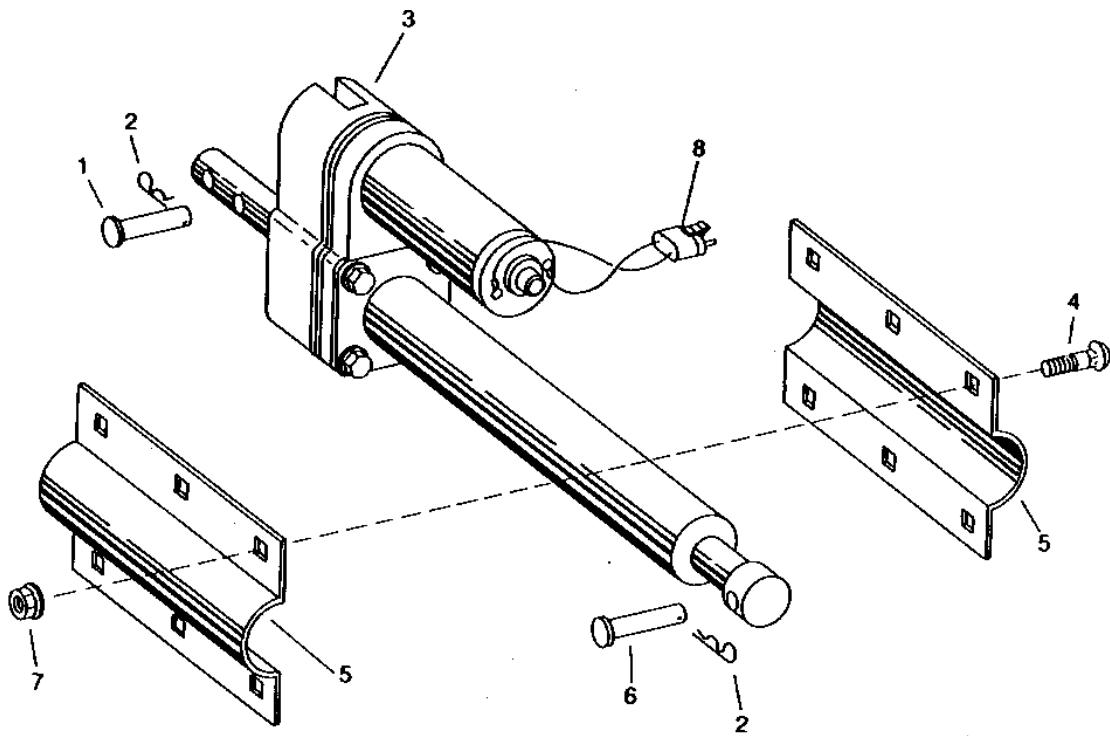
KEY	PART NO.	PART NAME	QTY	SERIAL NO.	REMARKS
1A	AH124567	MOTOR	1		ADAPTER HARNESS AH143997 PLUS TWO ADAPTER AH106612 RELAYS MUST BE ORDERED WITH MOTOR AH143903 WHEN INSTALLED IN COMBINATION WITH EXISTING POWER DISTRIBUTION BOARD AND L.H. WIRING HARNESS.
1B	AH143903	MOTOR	1		(USE WITH AH143904, 19M8321 AND 14M7165)

1C3

FC: 5246

ELECTRICAL

CONCAVE ADJUSTING MOTOR
HP3167 -UN-01JAN94



HP3167

1C4

FC: 5246

ELECTRICAL

CONCAVE ADJUSTING MOTOR - CONTINUED

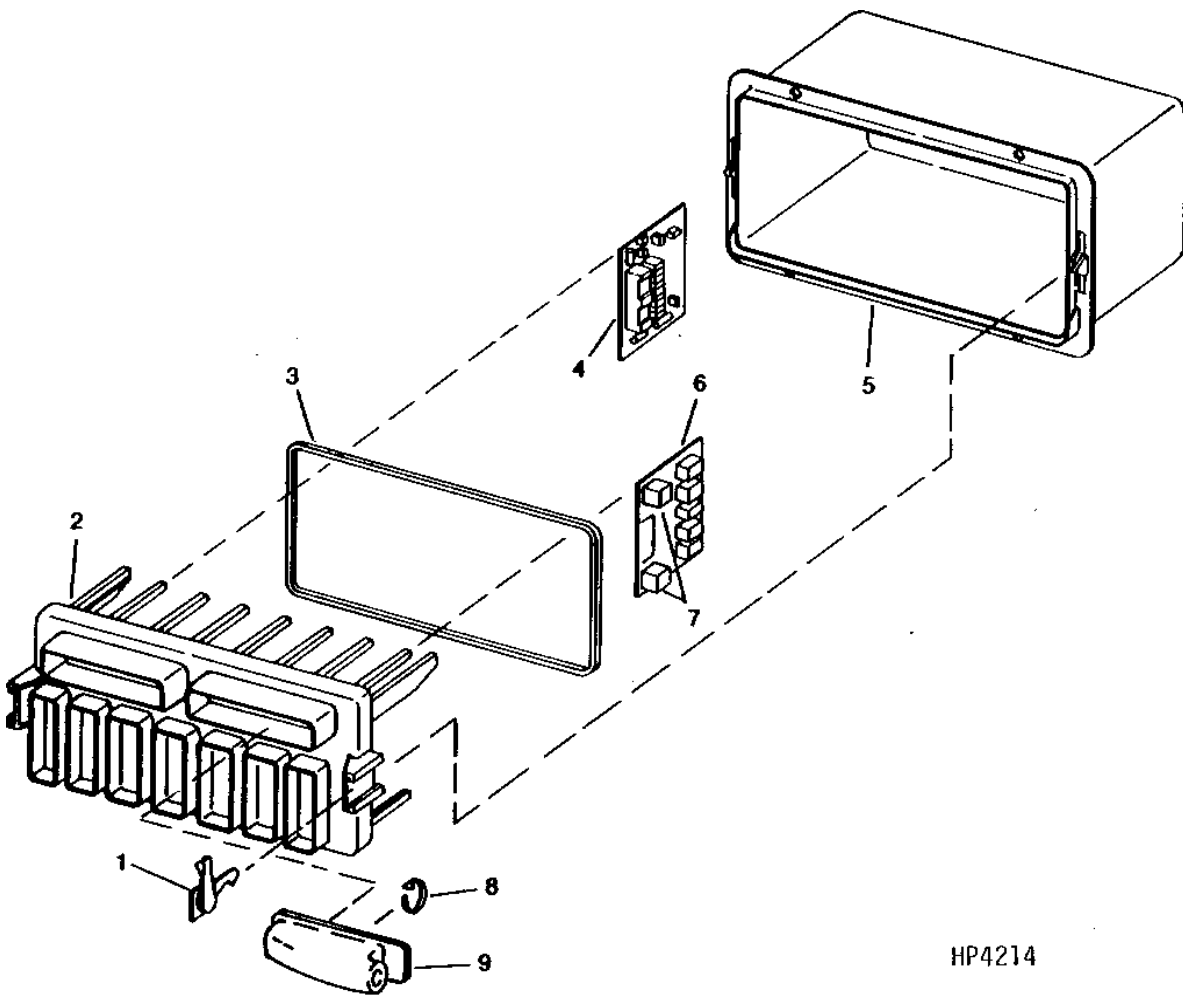
KEY	PART NO.	PART NAME	QTY	SERIAL NO.	REMARKS
1	H98765	PIN	1		
2	B32630	SPRING LOCKING PIN	2		
3	AH134728	ACTUATOR	1		
4	03M7192	BOLT	6	M10 X 30	
5	H139338	STOP	2	(SUB H144801)	
6	H98494	PIN	1	(SUB H148899)	FOR SPIKE TOOTH CONCAVE ONLY
	H109146	PIN	1	(SUB H148900)	FOR RASP BAR CONCAVE ONLY
7	14M7296	FLANGE NUT	6	M10	
8	RE12363	CONNECTOR	1	(PKG OF 3)	
	R78048	TERMINAL NIPPLE	1	(PKG OF 5)	
	R78060	SOCKET CONTACT	1	(PKG OF 40)	

1C5

FC: 5281

ELECTRICAL

CENTRAL ELECTRONICS MODULE AND CIRCUIT BOARDS
HP4214 -UN-01JAN94



HP4214

1C6

FC: 5281

ELECTRICAL

CENTRAL ELECTRONICS MODULE AND CIRCUIT BOARDS - CONTINUED

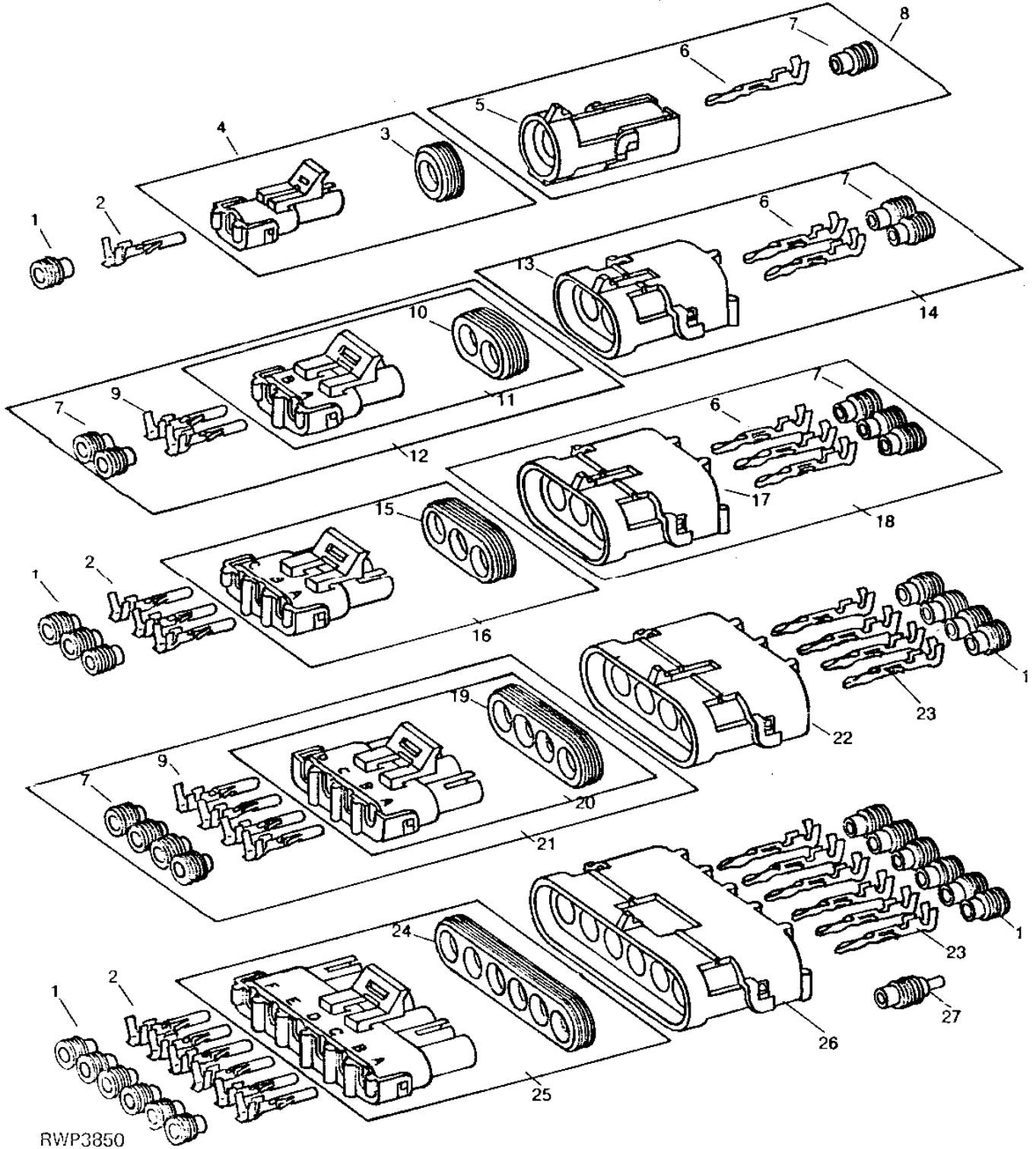
KEY	PART NO.	PART NAME	QTY	SERIAL NO.	REMARKS
1	AH115943	LATCH	2		
2	H124206	COVER	1		
3	H133728	SEAL	1		(SUB H144242)
4	AH125485	CIRCUIT BOARD	1		(LSSM) (SUB AH137238)
5	H124205	BOX	1		
6	AH136498	CIRCUIT BOARD	1		(SUB AH143745) (DIAL-A-MATIC)
	AH143745	CIRCUIT BOARD	1		(SUB AH145701) (DIAL-A-MATIC)
7	AH106612	RELAY	2		
8	R44302	TIE BAND	2		
9	H141127	BOOT	2		

1C7

FC: 5281

ELECTRICAL

WEATHERPACK TERMINALS AND CONNECTORS
RWP3850 -UN-01JAN94



1C8

FC: 5281

ELECTRICAL

WEATHERPACK TERMINALS AND CONNECTORS - CONTINUED

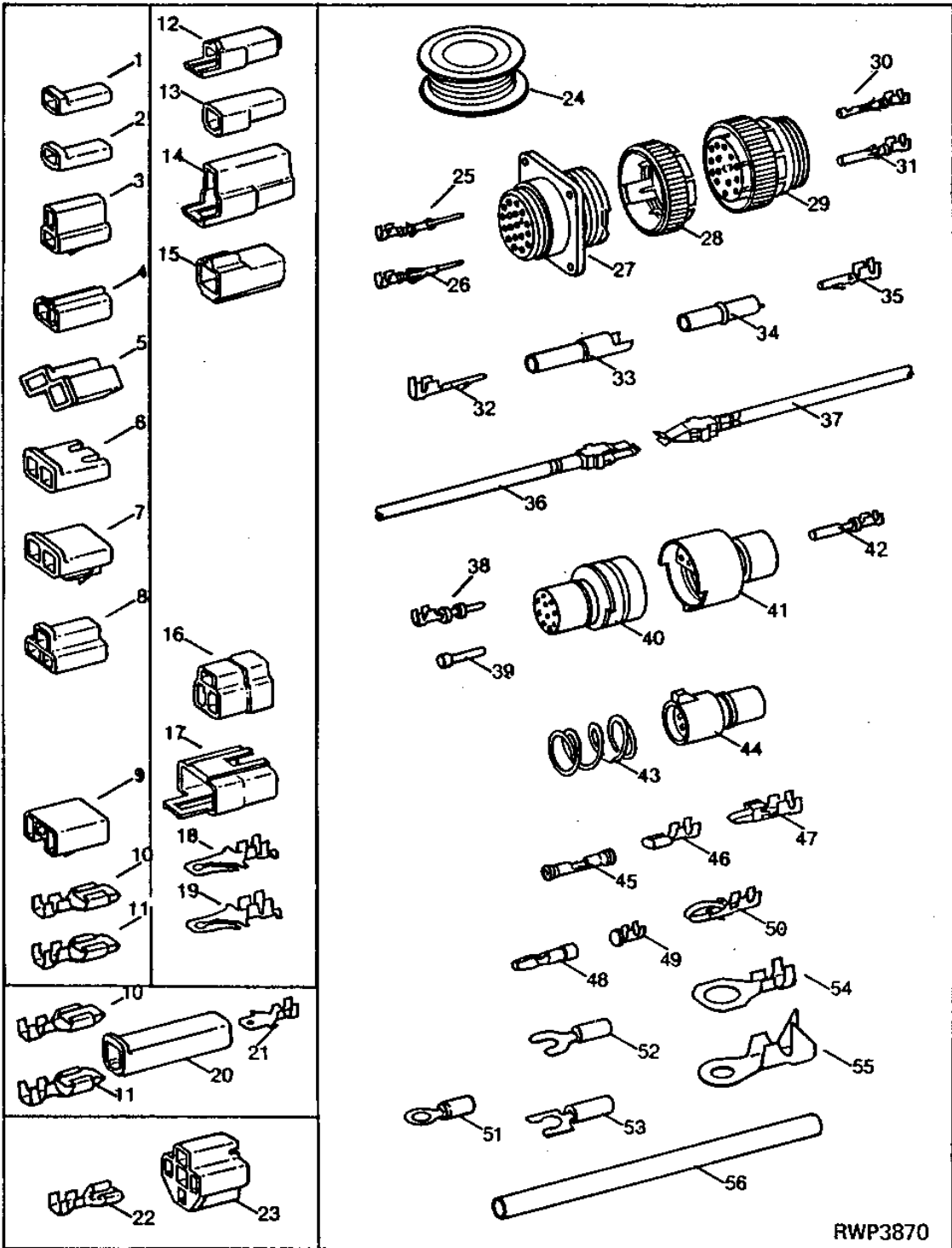
KEY	PART NO.	PART NAME	QTY	TRACTOR SERIAL NO.	REMARKS
1	R78063	TERMINAL NIPPLE	1		(PKG. OF 40) (16 GA. WIRE) (GRAY)
	R78059	TERMINAL NIPPLE	1		(PKG. OF 40) (18 OR 20 GA. WIRE) (GREEN)
	R78062	TERMINAL NIPPLE	1		(PKG. OF 40) (14 GA. WIRE) (BLUE)
2	R78057	SOCKET CONTACT	1		(PKG. OF 40) (18 OR 20 GA. WIRE) (NO. 19)
	R78060	SOCKET CONTACT	1		(PKG. OF 40) (14 OR 16 GA. WIRE) (NO. 15)
3	R78047	SEAL	1		(PKG. OF 5)
4	RE12362	CONNECTOR	1		(PKG. OF 3)
5	R78052	CONNECTOR	1		(PKG. OF 3)
6	R78061	PIN CONTACT	1		(PKG. OF 40) (14 OR 16 GA. WIRE) (NO. 15)
7	R78063	TERMINAL NIPPLE	1		(PKG. OF 40) (16 GA. WIRE) (GRAY)
8	RE12334	CONNECTOR	1		
9	R78060	SOCKET CONTACT	1		(PKG. OF 40) (14 OR 16 GA. WIRE) (NO. 15)
10	R78048	TERMINAL NIPPLE	1		(PKG. OF 5)
11	RE12363	CONNECTOR	1		(PKG. OF 3)
12	RE12331	CONNECTOR	1		
13	R78053	CONNECTOR	1		(PKG. OF 3)
14	RE12330	CONNECTOR	1		
15	R78049	SEAL	1		(PKG. OF 5)
16	RE12364	CONNECTOR	1		(PKG. OF 3)
17	R78054	CONNECTOR	1		(PKG. OF 3)
18	RE12332	CONNECTOR	1		
19	R78050	SEAL	1		(PKG. OF 5)
20	RE12365	CONNECTOR	1		(PKG. OF 2)
21	RE12333	CONNECTOR	1		
22	R78055	CONNECTOR	1		(PKG. OF 2)
23	R78061	PIN CONTACT	1		(PKG. OF 40) (14 OR 16 GA. WIRE) (NO. 15)
	R78058	PIN CONTACT	1		(PKG. OF 40) (18 OR 20 GA. WIRE) (NO. 19)
24	R78051	SEAL	1		(PKG. OF 5)
25	RE12366	CONNECTOR	1		(PKG. OF 2)
26	R78056	CONNECTOR	1		(PKG. OF 2)
27	R78064	ELECTRICAL PLUG	1		(PKG. OF 40)

1C9

FC: 5281

ELECTRICAL

ELECTRICAL CONNECTOR SERVICE KIT
RWP3870 -UN-01JAN94



1C10

FC: 5281

ELECTRICAL

ELECTRICAL CONNECTOR SERVICE KIT - CONTINUED

KEY	PART NO.	PART NAME	QTY	SERIAL NO. OR YEAR	REMARKS
1	T28583	RECEPTACLE	1	(B)	
2	M43835	FLAT CONNECTOR	1	(B)	
3	R77476	CONNECTOR	1	(A)	
4	R77477	CONNECTOR	1	(A)	
5	R77479	CONNECTOR	1	(A)	
6	R77480	CONNECTOR	1	(A)	
7	R77481	CONNECTOR	1	(A)	
8	R77482	CONNECTOR	1		
9	H104855	CONNECTOR	1		
10	U46662	TERMINAL	1	(E) (F)	
11	N115096	TERMINAL	1	(G) (PKG. OF 15)	
12	T28585	TERMINAL	1	(B)	
13	R77475	CONNECTOR	1	(B)	
14	T28586	CONNECTOR	1	(A)	
15	R77478	CONNECTOR	1	(A)	
16	R77483	CONNECTOR	1		
17	R48887	RECEPTACLE	1		
18	T34067	TERMINAL	1	(E) (F)	
19	R77484	TERMINAL	1	(G) (PKG. OF 15)	
20	U46370	CONNECTOR	1	(B)	
21	R77485	TAB	1	(C) (F)	
22	R77486	TERMINAL	1	(E)	
23	R77487	CONNECTOR	1	(B)	
24	R66321	WIRING LEAD	1	15M (50 FT.) 10 GA.	
	R66320	WIRING LEAD	1	30.5M (100 FT.) 12 GA.	
	R77501	WIRE	1	30.5M (100 FT.) 14 GA.	
	R77500	WIRE	1	30.5M (100 FT.) 16 GA.	
	R77499	WIRE	1	30.5M (100 FT.) 18 GA.	
	R77498	WIRE	1	30.5M (100 FT.) 20 GA.	
25	R77462	PIN CONTACT	1	(PKG. OF 40) 20-22 OR 24 GA. WIRE	
26	R77464	PIN CONTACT	1	(H) (PKG. OF 50)	
27	R77456	RECEPTACLE	1	(37 WAY)	
28	R77458	CONNECTOR	1	(A) SIZE 23	
	R77459	CONNECTOR	1	(A) SIZE 17	
	R77460	CONNECTOR	1	(A) SIZE 13	
	R77461	CONNECTOR	1	(A) SIZE 11	
29	R77457	ELECTRICAL PLUG	1	37 WAY	
30	R77463	SOCKET CONTACT	1	(PKG. OF 40) 20-22 OR 24 GA. WIRE	
31	R77465	SOCKET CONTACT	1	(H) (PKG. OF 50)	
32	R77468	TERMINAL	1	(PKG. OF 5) 18 GA.	
33	R77466	CONNECTOR	1	(A)	
34	R77467	CONNECTOR	1	(A)	

- (A) PKG. OF 2
- (B) PKG. OF 3
- (C) PKG. OF 10
- (D) PKG. OF 20
- (E) PKG. OF 25
- (F) 14 OR 16 GA. WIRE
- (G) 10 OR 12 GA. WIRE
- (H) 14-16 OR 18 GA. WIRE

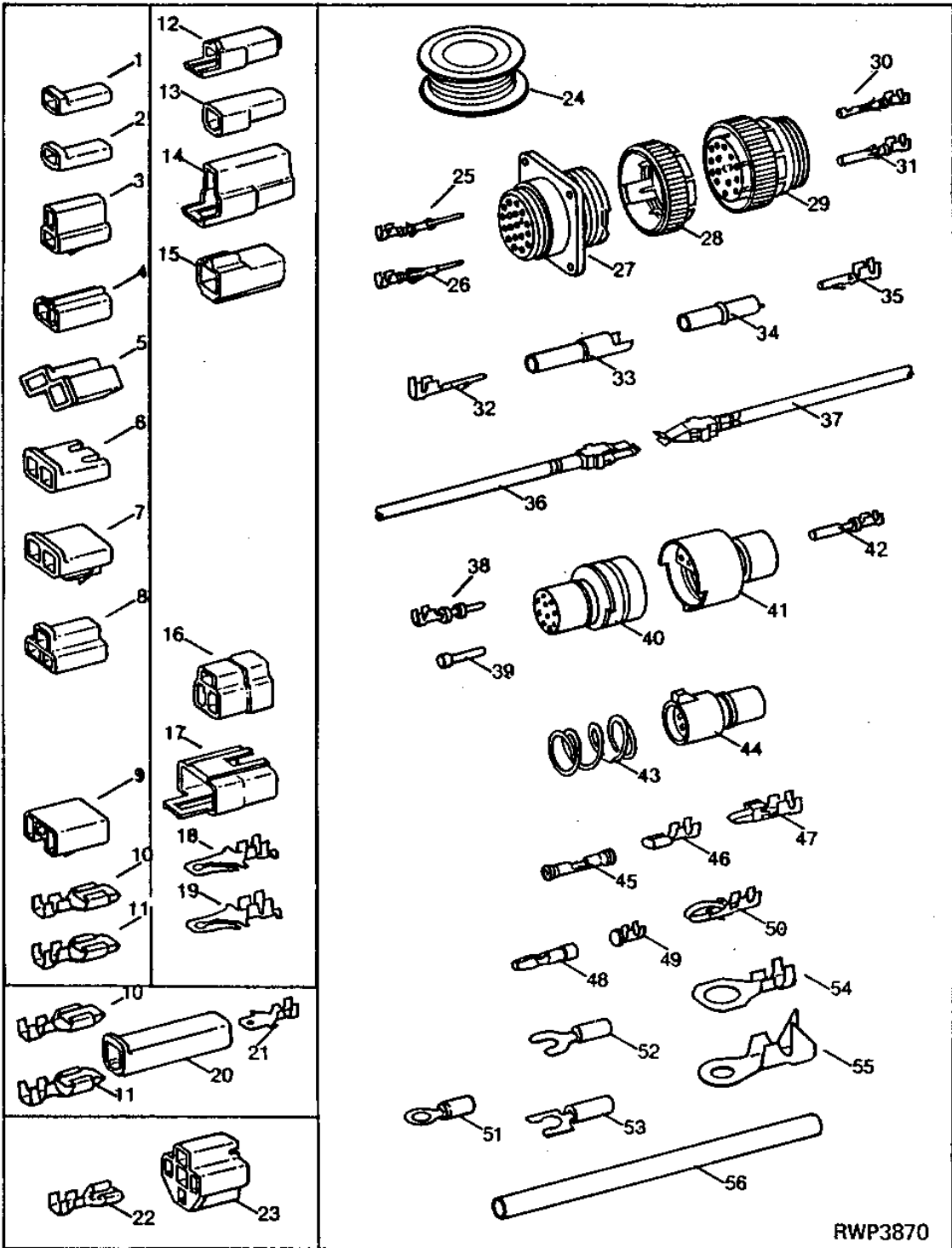
THIS PARTS LISTING IS CONTINUED

1C11

FC: 5281

ELECTRICAL

ELECTRICAL CONNECTOR SERVICE KIT - CONTINUED
RWP3870 -UN-01JAN94



1C12

FC: 5281

ELECTRICAL

ELECTRICAL CONNECTOR SERVICE KIT - CONTINUED

KEY	PART NO.	PART NAME	QTY	SERIAL NO. OR YEAR	REMARKS
35	R77469	TERMINAL	1		(PKG. OF 5) 18 GA.
36	RE11156	TERMINAL	1		(B) MALE
37	RE11157	TERMINAL	1		(B) FEMALE
38	R70222	PIN CONTACT	1		(D) (H)
39	R70221	ELECTRICAL PLUG	1		(E)
40	R70219	PLUG	1		(PKG. OF (2) R70218 AND (2) R70219) 10 WAY
	R70217	PLUG	1		(PKG. OF (2) R70216 AND (2) R70217) 7 WAY
	R70215	PLUG	1		(PKG. OF (2) R70214 AND (2) R70215) 4 WAY
	R70213	PLUG	1		(PKG. OF (2) R70212 AND (2) R70213) 3 WAY
	R70211	CONNECTOR	1		(PKG. OF (2) R70210 AND (2) R70211) 2 WAY
41	R70218	RECEPTACLE	1		ORDER R70219 WHICH CONTAINS (2) R70218 AND (2) R70219
	R70216	RECEPTACLE	1		ORDER R70217 WHICH CONTAINS (2) R70216 AND (2) R70217
	R70214	RECEPTACLE	1		ORDER R70215 WHICH CONTAINS (2) R70214 AND (2) R70215
	R70212	RECEPTACLE	1		ORDER R70213 WHICH CONTAINS (2) R70212 AND (2) R70213
	R70210	RECEPTACLE	1		(ORDER R70211) ORDER R70211 WHICH CONTAINS (2) R70210 AND (2) R70211
42	AR91793	SOCKET CONTACT	1		(D)
43	R30378	SPRING	1		(C)
44	R77474	CONNECTOR	1		(A) 6 WAY
45	R77470	TERMINAL	1		SPLICE (PKG. OF 15) 16-18-20 OR 22 GA. WIRE
	R77471	TERMINAL	1		(C) (G) SPLICE
	R77472	TERMINAL	1		(A) SPLICE (8 GA. WIRE)
	R77473	TERMINAL	1		(A) SPLICE (6 GA. WIRE)
46	R65607	TERMINAL	1		(C) (18 OR 20 GA. WIRE)
47	U46664	TERMINAL	1		(C) (F)
48	R32026	TERMINAL	1		(D) (F)
49	R65602	SOCKET CONTACT	1		(C) 16 OR 18 GA. WIRE
50	R70220	TERMINAL	1		(C) 18 OR 20 GA. WIRE
51	R77489	TERMINAL	1		(D) 14-16-18 OR 20 GA. WIRE; NO. 10 EYELET
	R77493	TERMINAL	1		(D) (G) NO. 10 EYELET
	R77488	TERMINAL	1		(D) 14-16-18 OR 20 GA. WIRE; 3/8" EYELET
	R77490	TERMINAL	1		(D) (G) (1/2" EYELET)
52	R77496	TERMINAL	1		(D) (F) NO. 8 SPADE
	R77495	TERMINAL	1		(D) 18 GA. WIRE; NO. 10 SPADE
53	R77497	TERMINAL	1		(D) (F) NO. 6 SPADE
54	R77491	TERMINAL	1		(D) (G) 3/8" EYELET
	R77492	TERMINAL	1		(D) (G) 1/4" EYELET
55	R77494	TERMINAL	1		(D) 6 OR 8 GA. WIRE; 1/4" EYELET
56	R77502	TUBE	1		(PKG. OF 8) 3/8", HEAT SHRINK
	R77503	TUBE	1		(PKG. OF 8) 3/16", HEAT SHRINK
57	RE11154	KIT	1		(SUB PM797NA)
	PM797NA	KIT	1		

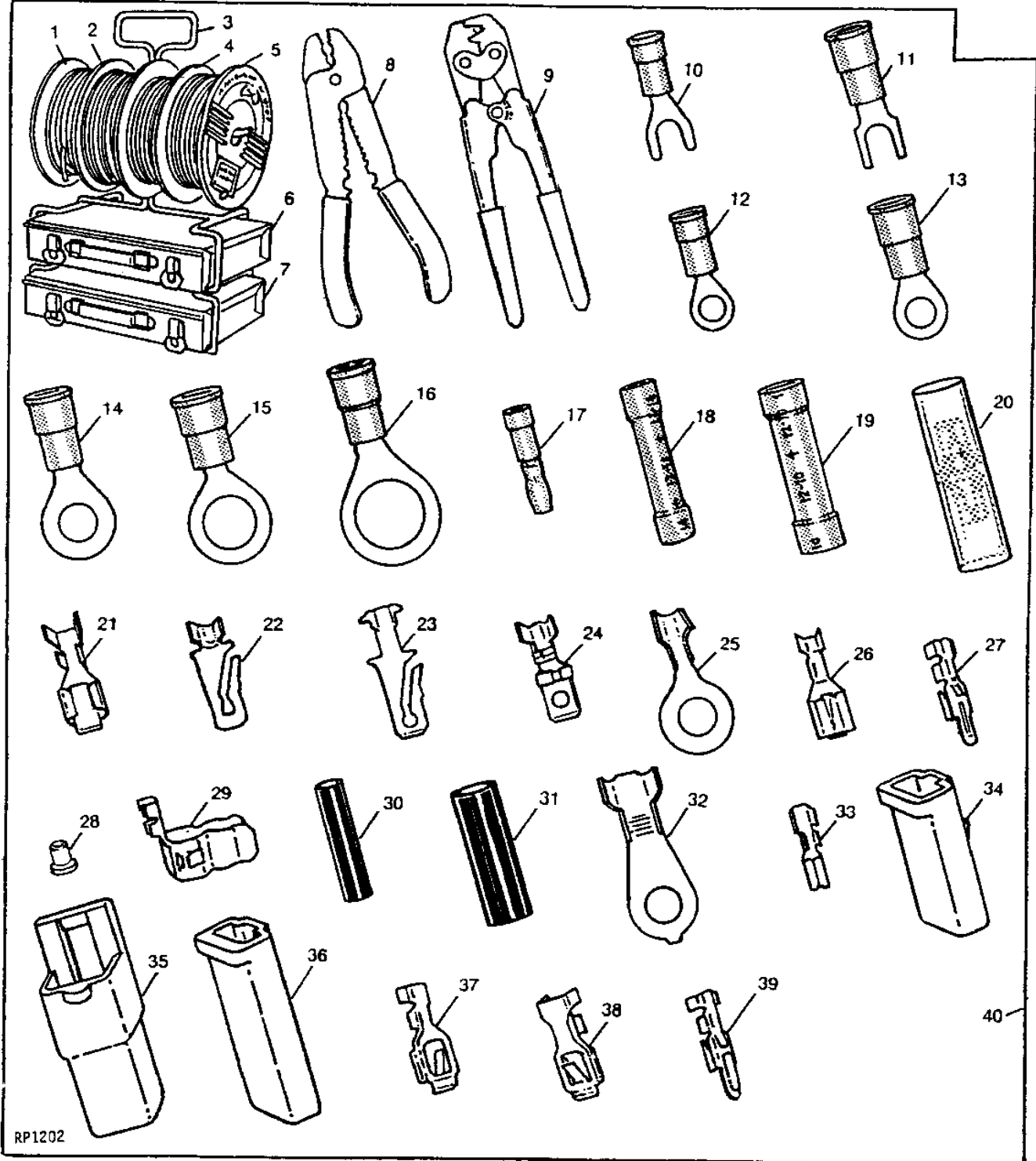
- (A) PKG. OF 2
- (B) PKG. OF 3
- (C) PKG. OF 10
- (D) PKG. OF 20
- (E) PKG. OF 25
- (F) 14 OR 16 GA. WIRE
- (G) 10 OR 12 GA. WIRE
- (H) 14-16 OR 18 GA. WIRE

1C13

FC: 5281

ELECTRICAL

TERMINAL AND WIRING KIT
RP1202 -UN-01JAN94



1C14

FC: 5281

ELECTRICAL

TERMINAL AND WIRING KIT - CONTINUED

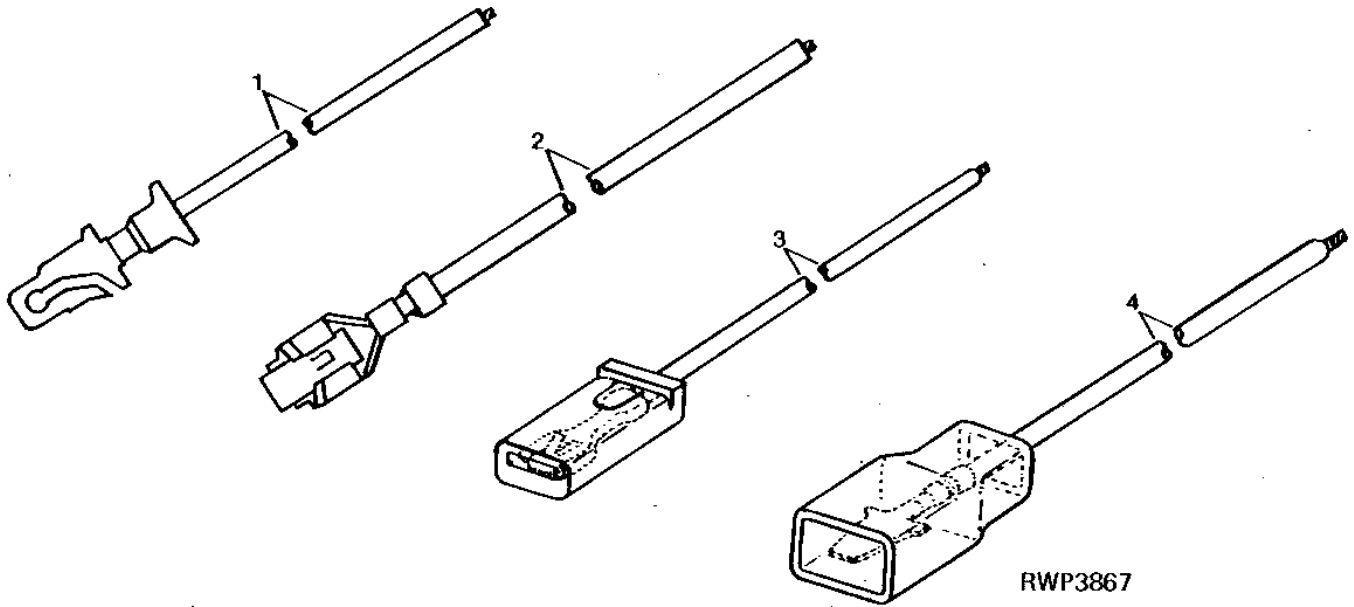
KEY	PART NO.	PART NAME	QTY	SERIAL NO.	REMARKS
1	R66319	WIRING LEAD	1		PRIMARY, 14 GA., 30,480 MM (100') (1 SPOOL)
2	R65593	WIRING LEAD	1		PRIMARY, 16 GA., 30,480 MM (100') (1 SPOOL)
3	R65608	RACK	1		
4	R66321	WIRING LEAD	1		PRIMARY, 10 GA., 15,240 MM (50') (1 SPOOL)
5	R66320	WIRING LEAD	1		PRIMARY, 12 GA., 30,480 MM (100') (1 SPOOL)
6	R65609	CONTAINER	1		32 COMPARTMENT
7	R65610	CONTAINER	1		11 COMPARTMENT
8	R32011	TOOL	1		WIRING, STRIPPING
9	R65594	TOOL	1		WIRING, CRIMPING
10	R32016	TERMINAL	1		PRIMARY, 14-16 GA., NO. 10 SPADE
11	R32017	TERMINAL	1		PRIMARY, 10-12 GA., NO. 10 SPADE
12	R32018	TERMINAL	1		PRIMARY, 14-16 GA., NO. 10 EYELET
13	R32019	TERMINAL	1		PRIMARY, 10-12 GA., NO. 10 EYELET
14	R32021	TERMINAL	1		PRIMARY, 10-12 GA., 1/4" EYELET
15	R32022	TERMINAL	1		PRIMARY, 10-12 GA., 3/8" EYELET
16	R32023	TERMINAL	1		PRIMARY, 10-12 GA., 1/2" EYELET
17	R32026	TERMINAL	1		MALE BULLET
18	R32027	CONNECTOR	1		SPLICE, 14-16 GA.
19	R32028	TERMINAL	1		SPLICE, 10-12 GA.
20	R32029	TERMINAL	1	-610700	(SUB AL2976T, THIS APPLICATION)
	AL2976T	CONNECTOR	1		2-WIRE BULLET CONNECTOR
21	R65595	TERMINAL	1		FEMALE, 10 GA.
22	R65596	TERMINAL	1		MALE, 10 GA., OR TWO 14 GA. CABLES
23	R65597	TERMINAL	1		MALE, 14-16 GA.
24	R65598	TERMINAL	1		MALE, SHORT, 14-16 GA.
25	R65599	TERMINAL	1		14-16 GA., 1/4" EYELET
26	R65600	TERMINAL	1		FEMALE, 14-16 GA.
27	R65601	TERMINAL	1		TWIN-LOCK, TWO 16 GA. CABLES
28	R65602	SOCKET CONTACT	1		BULB SOCKET, 16-18 GA.
29	R65603	TERMINAL NIPPLE	1		FUSE
30	R65604	INSULATING SLEEVE	1		14-18 GA.
31	R65605	INSULATING SLEEVE	1		8-12 GA.
32	R65606	TERMINAL	1		6-8 GA., 1/4" EYELET
33	R65607	TERMINAL	1		18-20 GA.
34	T28583	RECEPTACLE	1		ONE CONTACT LOCK-TYPE, MALE
35	T28585	TERMINAL	1		ONE CONTACT LOCK-TYPE, FEMALE
36	U46370	CONNECTOR	1		ONE CONTACT SINGLE BODY, MALE
37	U46662	TERMINAL	1		CONNECTOR, ONE CONTACT SINGLE BODY, MALE
38	U46663	TERMINAL	1		MALE
39	U46664	TERMINAL	1		MALE
40	AR84006	KIT	1		TERMINAL AND WIRING, (SUB RE11154)

1C15

FC: 5281

ELECTRICAL

SUPPLEMENTARY TERMINALS AND CONNECTORS
RWP3867 -UN-01JAN94



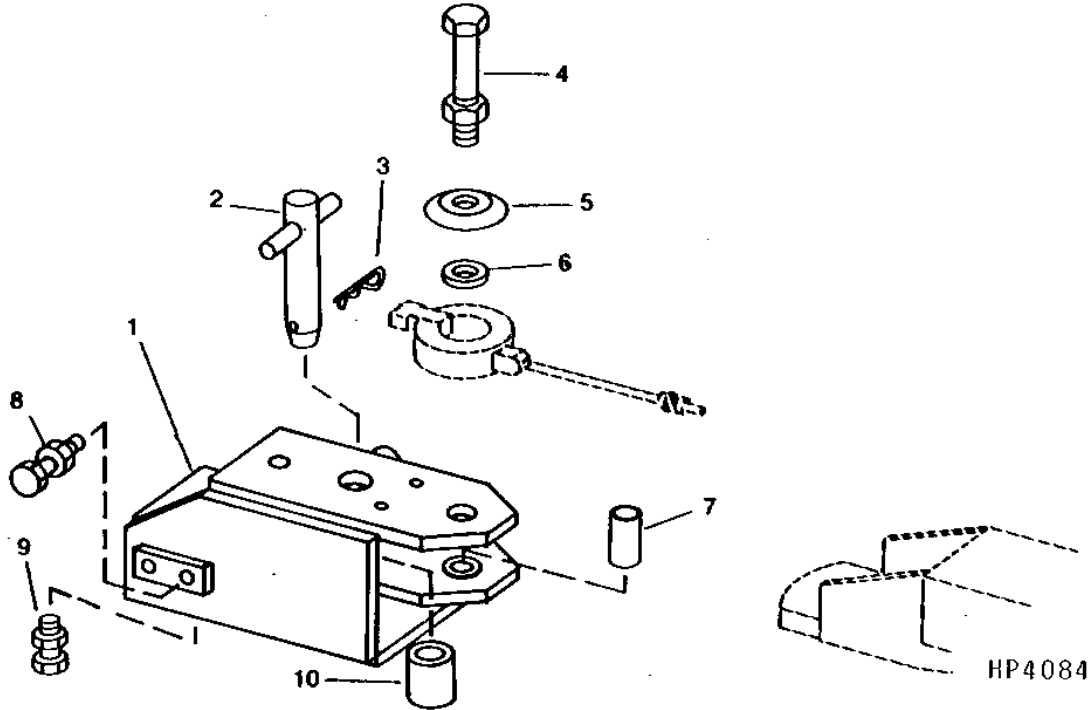
KEY	PART NO.	PART NAME	QTY	SERIAL NO.	REMARKS
1	AR65005	TERMINAL	1		
2	AR65006	TERMINAL	1		
3	R32024	WIRING LEAD	1		
4	R32025	WIRING LEAD	1		

1C17

FC: 5927

POWER TRAIN

DRAWBAR EXTENSION
HP4084 -UN-01JAN94



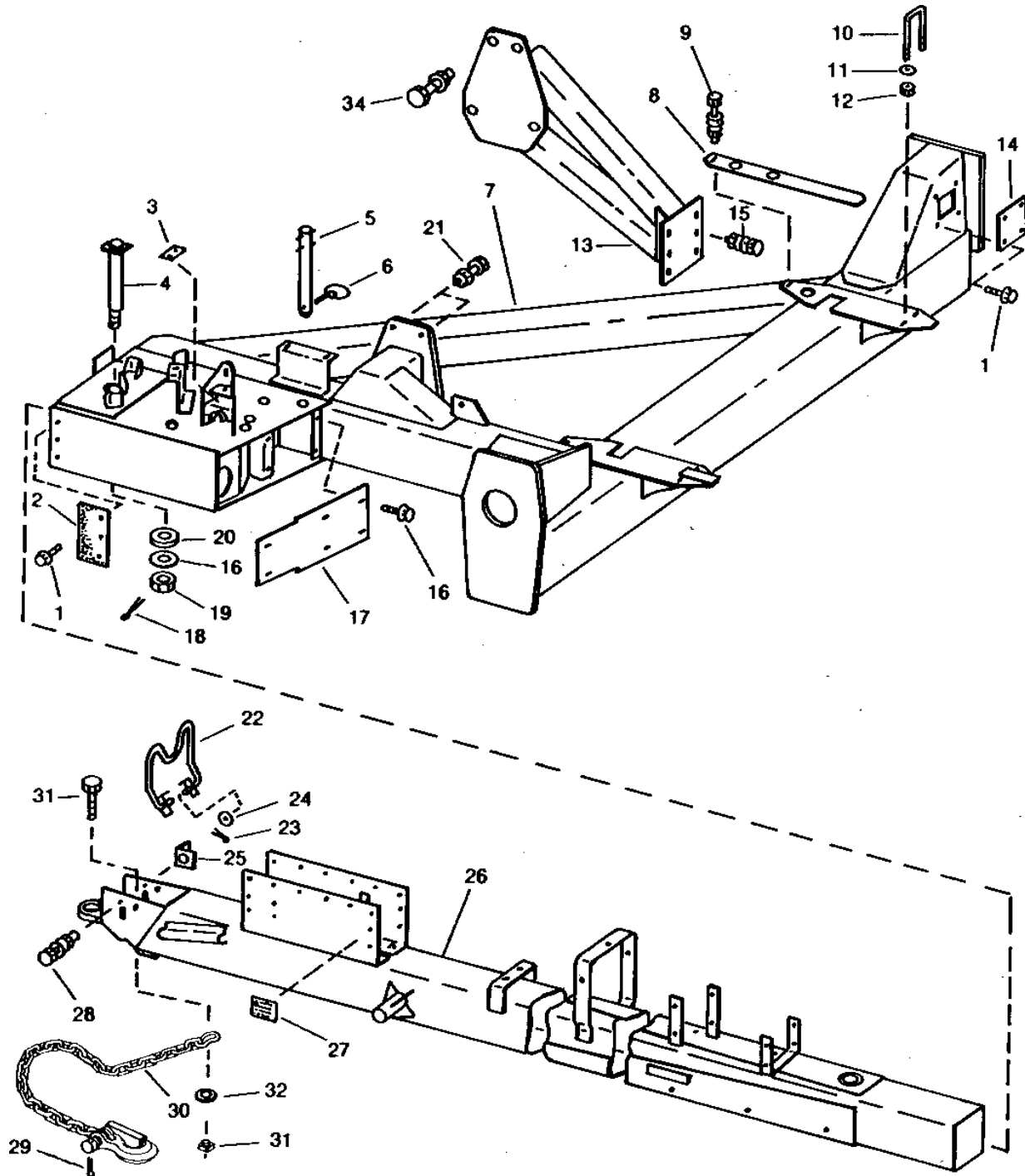
KEY	PART NO.	PART NAME	QTY	SERIAL NO.	REMARKS
1	AH137189	BAR	1		(FOR 1-3/4 IN. PTO SHAFT TRACTORS, EXCEPT 60 SERIES 4-WHEEL DRIVE TRACTORS)
	AH137190	BAR	1		(FOR 60 SERIES 4-WHEEL DRIVE TRACTORS)
2	AH93343	PIN	1		(USE WITH AH137189)
	RE19304	PIN	1		(USE WITH AH137190)
3	28316	QUICK LOCK PIN	1		
4	19H3314	SCREW	1		1" X 5-1/4"
	H61901	LOCK NUT	1		
5	H94393	WASHER	1		(SUB AH139134)
6	H94394	WASHER	1		(SUB AH139134)
7	H122309	SLEEVE	1		
8	19H2482	CAP SCREW	4		5/8" X 2-1/4"
	14H821	NUT	4		5/8"
9	M2211T	CAP SCREW	4		15.875 X 44.450 MM (5/8" X 1-3/4") (SUB 19H2710)
	14H821	NUT	4		5/8"
10	H139359	SLEEVE	1		40 X 52.200 X 51 MM (1.575" X 2.055" X 2.008") FOR 8960 ONLY

1C18

FC: 5347

POWER TRAIN

MAINFRAME AND HITCH
HP4128 -UN-01JAN94



HP4128

1C19

FC: 5347

POWER TRAIN

MAINFRAME AND HITCH - CONTINUED

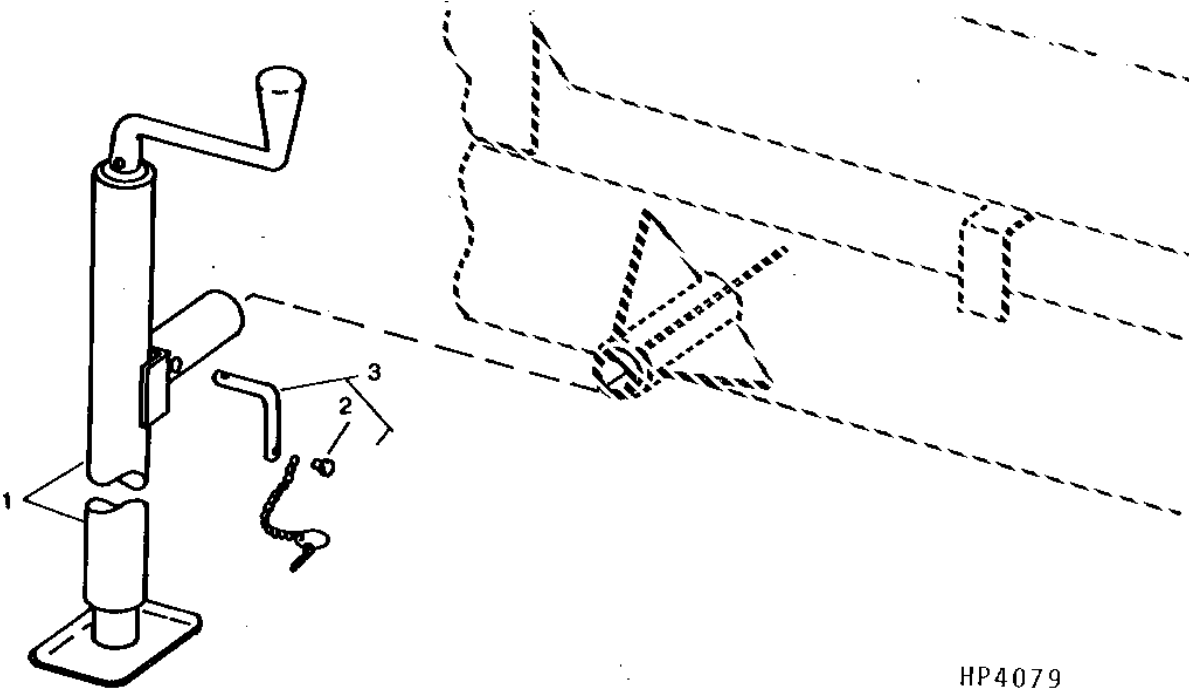
KEY	PART NO.	PART NAME	QTY	SERIAL NO.	REMARKS
1	H65108	SCREW	25		7.938 X 12.700 MM (5/16" X 1/2") (SUB H78354)
2	AH200690	FLAP	1		
3	AH200591	LABEL	1		CONCAVE CLEARANCE
4	AH200095	PIN	1		
5	AH200092	PIN	2		
6	B11182	QUICK LOCK PIN	2	-635471	
	AA21292	QUICK LOCK PIN	2	635472-	
7	AH200084	AXLE	1		
8	AH200655	SHIM	2		
9	19H2104	CAP SCREW	2		3/8" X 5"
	24H1311	WASHER	2		13/32" X 1-1/4" X 0.220"
	H99923	LOCK NUT	2		9.525 MM (3/8")
10	AH200260	U-BOLT	2		
11	24H1106	WASHER	16		11/16" X 1-3/4" X 0.134"
12	M2023T	LOCK NUT	4		15.875 MM (5/8")
13	AH200085	FRAME	1		
14	AH200577	COVER	4		
15	19H1734	CAP SCREW	6		5/8" X 2"
	24H1106	WASHER	12		11/16" X 1-3/4" X 0.134"
	12H294	LOCK WASHER	6		5/8"
	14H760	NUT	6		5/8"
16	24H1175	WASHER	1		1-9/32" X 2-3/8" X 1/4"
17	AH200394	PANEL	1		
18	11H251	COTTER PIN	1		1/4" X 3"
19	14H997	NUT	1		1-1/4", NO LONGER AVAILABLE
20	AH200065	BUSHING	1		
21	19M7896	SCREW	2		M20 X 90
	14M7300	FLANGE NUT	2		M20
22	AH200588	SUPPORT	1		
23	11H236	COTTER PIN	2		1/8" X 1"
24	24H1111	WASHER	2		17/32" X 1-1/16" X 0.090"
25	H103451	ANGLE	1		
26	AH200000	HITCH	1		
27	H81662	DECAL	1		(SUB H149107) HITCH TUBE WARNING
28	19H1900	CAP SCREW	2		5/16" X 3/4"
	12H303	LOCK WASHER	2		5/16"
	14H785	NUT	2		5/16"
29	34H248	SPRING PIN	1		1/8" X 13/16"
30	AR90583	LINK CHAIN	1		
31	19H2113	CAP SCREW	1		3/4" X 3-1/4"
32	R36402	WASHER	1		19.837 X 85.725 X 7.925 MM (25/32" X 3-3/8" X 5/16")
33	T25879	NUT	1		19.050 MM (3/4")
34	19M7894	SCREW	7		M20 X 70
	14M7300	FLANGE NUT	7		M20

1C20

FC: 5657

POWER TRAIN

HITCH BEAM JACK STAND
HP4079 -UN-01JAN94



HP4079

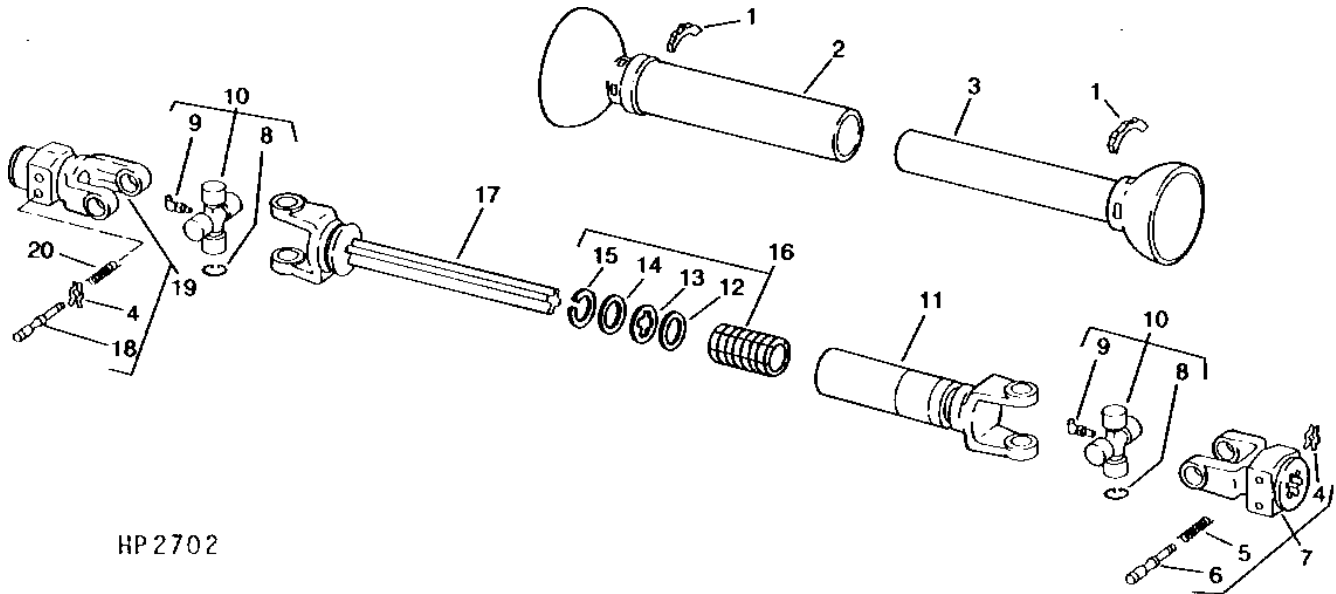
KEY	PART NO.	PART NAME	QTY	SERIAL NO.	REMARKS
1	AH93619	JACK	1		
2	37H92	SCREW	1		
3	AH93745	PIN	1		
	AC14488	PIN	1		NO. 12 X 1/2" (SUB AC14488)

1C21

FC: 5314

POWER TRAIN

TELESCOPING POWERSHAFT AND SHIELD
HP2702 -UN-01JAN94



HP 2702

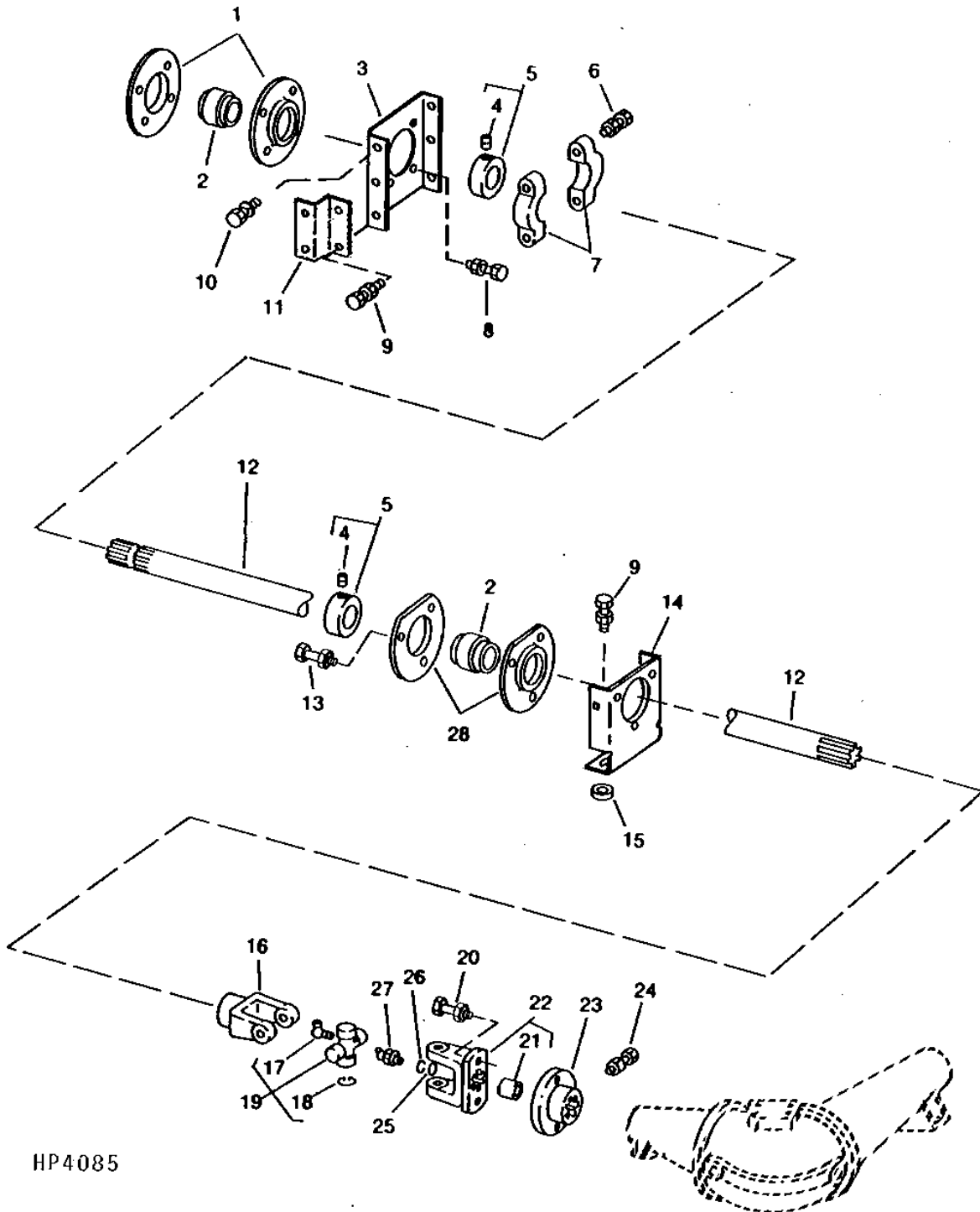
KEY	PART NO.	PART NAME	QTY	SERIAL NO.	REMARKS
1	E52205	UNIVERSAL JOINT BEARING	8		
2	AH93782	POWERSHAFT SHIELD	1		(SUB PM900-2648) OUTER
3	AH93781	SHIELD	1		(SUB PM900-2648) INNER
4	Z9785H	WASHER	4		(A)
5	H95874	SPRING	2		(A)
6	H94999	U-JOINT LOCK PIN	2		(A) (INCLUDED IN AH143303 KIT)
7	AH93917	UNIVERSAL JOINT YOKE	1		(ON COMBINE)
	AE50072	BEARING KIT	1		(COMBINE) (INCLUDED IN AH143303 KIT)
8	E50613	SNAP RING	2		
9	JD7760	LUBRICATION FITTING	2		65°, 1/8"
10	AE30034	CROSS AND BEARING ASSEMBLY	2		
11	AH93631	YOKE, WITH TUBE	1		
	AH144057	YOKE, WITH TUBE	1		(INCLUDED IN AH143303 KIT)
12	CAP	1		(SUB AE34929)
13	SEAL	1		(SUB AE34929)
14	WASHER	1		(SUB AE34929)
15	O-RING	1		(SUB AE34929)
16	AE34929	KIT	1		
17	AH93632	YOKE, WITH SHAFT	1		
	AH144058	YOKE, WITH SHAFT	1		(INCLUDED IN AH143303 KIT)
18	H100334	U-JOINT LOCK PIN	2		
19	AH93918	UNIVERSAL JOINT YOKE	1		ON TRACTOR
	AH144524	UNIVERSAL JOINT YOKE	1		(TRACTOR) (INCLUDED IN AH143303 KIT)
20	H22802	COMPRESSION SPRING	2		
..	AH144059	KIT	1	-4APR94	(COMPLETE)
..	PM13002020	LOCK	1	4APR94-	(COMPLETE)
..	AH143303	UNIVERSAL JOINT	1		

1C22

FC: 5314

POWER TRAIN

MAIN POWERSHAFT
HP4085 -UN-01JAN94



HP4085

1C23

FC: 5314

POWER TRAIN

MAIN POWERSHAFT - CONTINUED

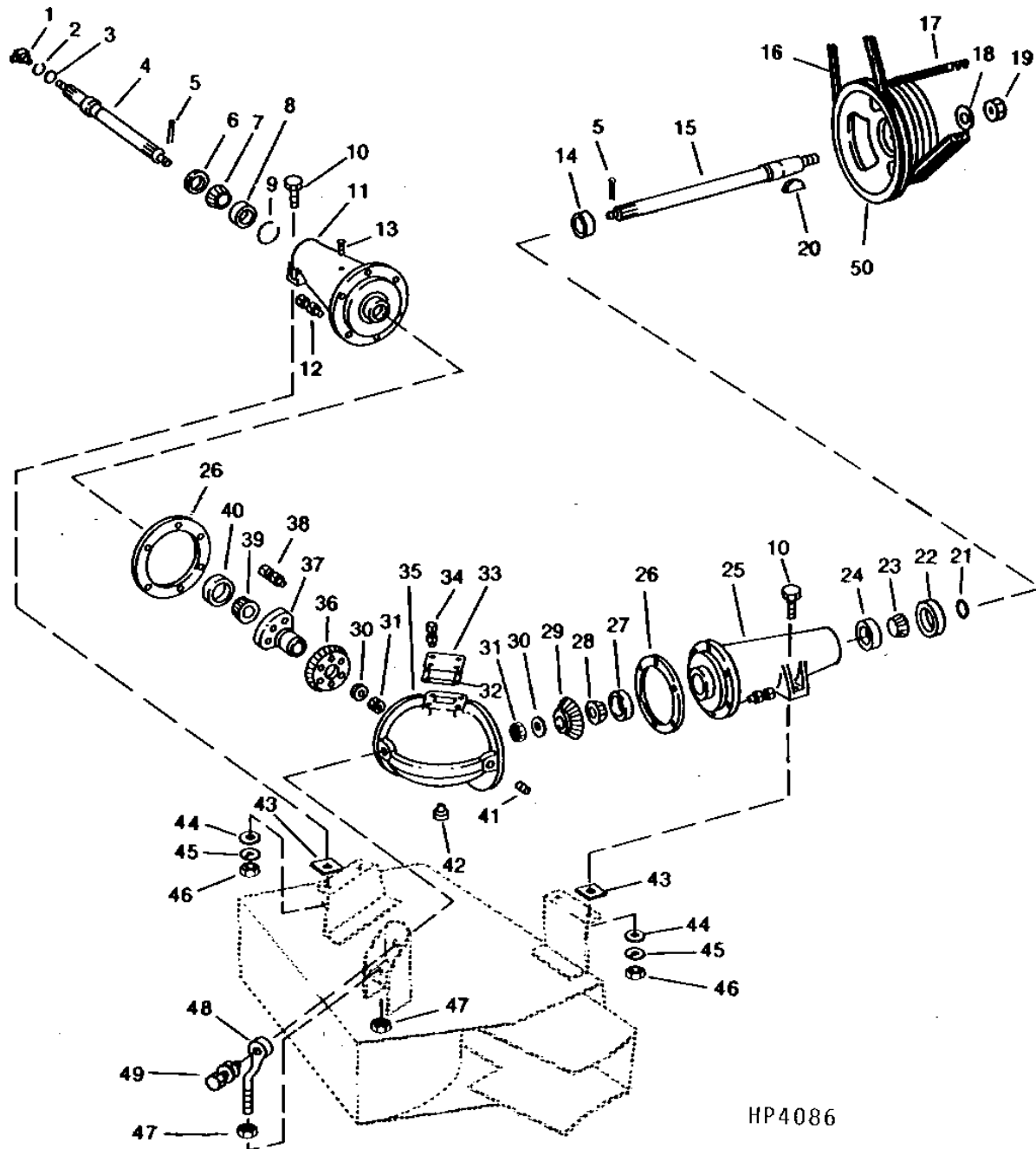
KEY	PART NO.	PART NAME	QTY	SERIAL NO.	REMARKS
1	N166516	PRESSED FLANGED HOUSING	2		
2	JD9305	BALL BEARING	4		
3	AH200111	BRACKET	1		
4	22H979	SET SCREW	4	3/8" X 3/8"	
5	JD8579	ECCENTRIC LOCKING COLLAR	4		
6	19H1974	CAP SCREW	2	1/2" X 2-3/4"	
	12H301	LOCK WASHER	2	1/2"	
	14H809	NUT	2	1/2", (SUB 14H1040)	
	14H1040	NUT	2	1/2"	
7	H94998	CLAMP	2		
8	19H1815	CAP SCREW	4	1/2" X 1-1/4"	
	12H301	LOCK WASHER	4	1/2"	
	14H809	NUT	4	1/2", (SUB 14H1040)	
	14H1040	NUT	4	1/2"	
9	19H1732	CAP SCREW	12	3/8" X 1-1/4"	
	12H304	LOCK WASHER	12	3/8"	
	14H812	NUT	12	3/8"	
10	19H1731	CAP SCREW	2	3/8" X 1"	
	12H304	LOCK WASHER	2	3/8"	
11	AH93304	BRACKET	2	(SUB AH139138)	
12	AH200122	SHAFT	1		
13	19H1731	CAP SCREW	9	3/8" X 1"	
	12H304	LOCK WASHER	9	3/8"	
	14H812	NUT	9	3/8"	
14	AH200144	BRACKET	3		
15	24H1305	WASHER	6	13/32" X 13/16" X 0.065"	
16	H94997	UNIVERSAL JOINT YOKE	1		
17	JD7760	LUBRICATION FITTING	1	65° X 21.336 MM LONG (0.840" LONG) 65°, 1/8"	
18	E50613	SNAP RING	1		
19	AE30034	CROSS AND BEARING ASSEMBLY	1		
20	19H3131	CAP SCREW	2	5/16" X 2"	
	T16464	LOCK NUT	2	7.925 MM (5/16")	
21	R27899	BUSHING	1		
22	AH93141	UNIVERSAL JOINT YOKE	1		
23	H95100	HUB	1		
24	19H1912	CAP SCREW	1	3/8" X 3-1/2"	
	H99923	LOCK NUT	1	9.525 MM (3/8")	
25	P37172	WASHER	1	25.806 X 38.100 X 1.905 MM (1-1/64" X 1-1/2" X 0.075")	
26	W23122	SNAP RING	1		
27	JD7760	LUBRICATION FITTING	1	65° X 21.336 MM LONG (0.840" LONG)	
28	H94995	PRESSED FLANGED HOUSING	6		

1C24

FC: 5314

POWER TRAIN

GEAR CASE WITH GEARS AND SHAFTS
HP4086 -UN-01JAN94



HP4086

1C25

FC: 5314

POWER TRAIN

GEAR CASE WITH GEARS AND SHAFTS - CONTINUED

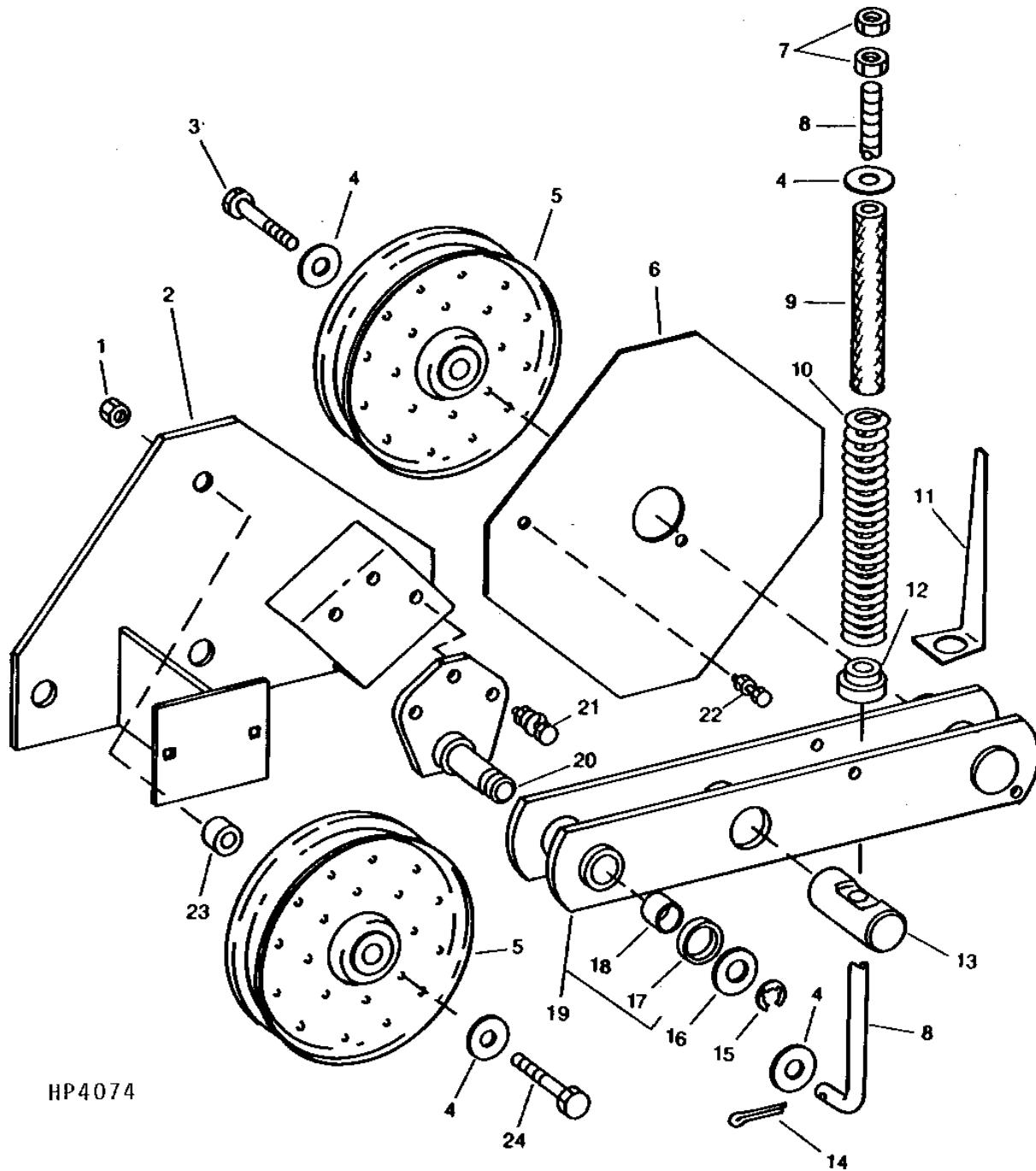
KEY	PART NO.	PART NAME	QTY	SERIAL NO.	REMARKS
1	JD7760	LUBRICATION FITTING	1	65°, 1/8"	
2	W23122	SNAP RING	1		
3	P37172	WASHER	1		
4	AH200106	SHAFT	1	INPUT	
5	11H218	COTTER PIN	2	3/16" X 1-1/2"	
6	AH92957	SEAL	1		
7	JD8922	BEARING CONE	1		
8	JD8247	BEARING CUP	1		
9	H75509	SNAP RING	1		
10	19H1831	CAP SCREW	4	1/2" X 2"	
11	AH200105	HOUSING	1	INPUT	
12	19H1732	CAP SCREW	12	3/8" X 1-1/4"	
	12H304	LOCK WASHER	12	3/8"	
13	U14273	BREATHER	1		
14	AH200109	LOCKING COLLAR	1		
15	AH200108	SHAFT	1	OUTPUT	
16	AH200020	BELT	1	UNLOADING AUGER COUNTERSHAFT	
17	AH200019	BELT	1	PRIMARY COUNTERSHAFT	
18	24H1668	WASHER	1	1-17/64" X 2-1/4" X 0.134"	
19	H82620	LOCK NUT	1	31.750 MM (1-1/4")	
20	26H114	SHAFT KEY	1	1/2" X 2-3/4"	
21	T25335	O-RING	1		
22	AR82993	SEAL	1		
23	JD9062	BEARING CONE	1		
24	JD9124	BEARING CUP	1		
25	AH200119	HOUSING	1	OUTPUT	
26	H93890	SHIM	AR	0.003", (SUB AH139137) (PLASTIC)	
	H93891	SHIM	AR	0.005", (SUB AH139137) (STEEL)	
	H93892	SHIM	AR	0.010", (SUB AH139137) (STEEL)	
	H93893	SHIM	AR	0.020", (SUB AH139137) (STEEL)	
27	JD8255	BEARING CUP	1		
28	JD8965	BEARING CONE	1		
29	BEVEL GEAR	1	26 TEETH, (SERVICED IN AH93991)	
30	H95120	WASHER	2	22.631 X 57.150 X 7.925 MM (5/64" X 2-1/4" X 5/16")	
31	L2282N	NUT	2	7/8"	
32	GASKET	1	(SUB PT94)	
33	H75267	COVER	1		
34	19H1900	CAP SCREW	4	5/16" X 3/4", (SERVICED IN AH93991)	
	12H303	LOCK WASHER	4	5/16"	
35	H91771	GEAR CASE	1	26 TEETH	
36	BEVEL GEAR	1	(SERVICED IN AH93991) 39-TOOTH	
37	HUB	1	(SERVICED IN AH93991)	
38	19H3217	CAP SCREW	1	3/8" X 1-3/4"	
	H95174	LOCK NUT	1	9.525 MM (3/8")	
39	JD9014	BEARING	1		
40	JD8240	BEARING CUP	1		
41	15H237	PIPE PLUG	1	1/2"	
42	AN31004	PIPE PLUG	1		
43	AH200793	SHIM	2		
44	24H1111	WASHER	4	17/32" X 1-1/16" X 0.090"	
45	12H301	LOCK WASHER	2	1/2"	
46	14H809	NUT	2	1/2", (SUB 14H1040)	
	14H1040	NUT	2	1/2"	
47	T16464	LOCK NUT	2	7.925 MM (5/16")	
48	H75371	EYEBOLT	1		
49	19H1721	CAP SCREW	1	1/2" X 1-1/2"	
	12H301	LOCK WASHER	1	1/2"	
50	AH200110	SHEAVE	1	MULTI-GROOVE	
..	AH93991	GEAR	1	BEVEL (MATCHED SET, WITH HUB)	
..	TY15130	SEALANT	1		
..	AH139137	KIT	1	(INCLUDES (5) H93890, H93891, H93892 AND H93893)	

1D1

FC: 5347

POWER TRAIN

LOWER IDLER DRIVE
HP4074 -UN-01JAN94



HP4074

1D2

FC: 5347

POWER TRAIN

LOWER IDLER DRIVE - CONTINUED

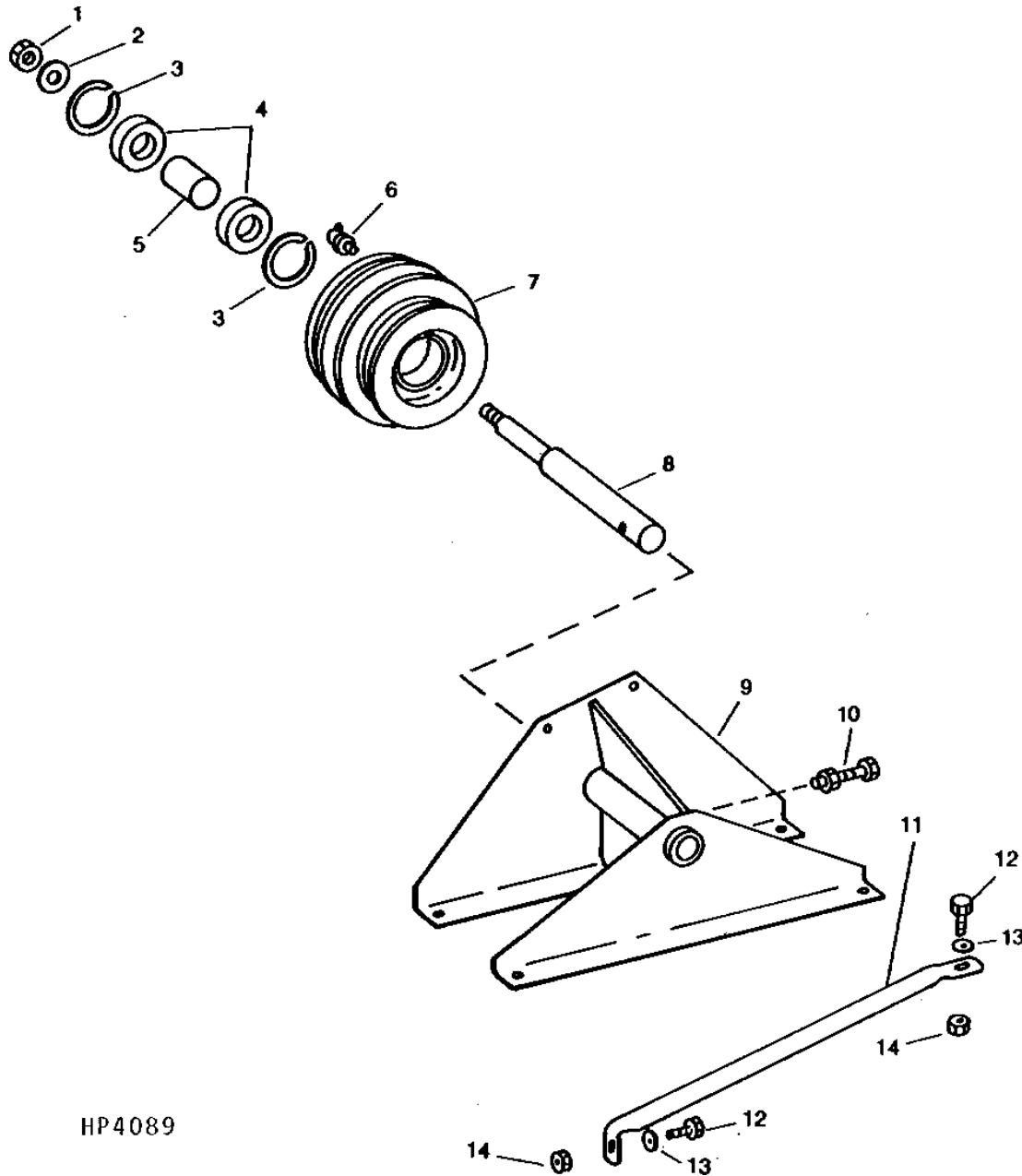
KEY	PART NO.	PART NAME	QTY	SERIAL NO.	REMARKS
1	14H760	NUT	1	5/8"	
2	AH200580	BRACKET	1		
3	19H1847	CAP SCREW	1	5/8" X 2-1/2"	
4	24H1106	WASHER	4	11/16" X 1-3/4" X 0.134"	
5	AH94450	IDLER	2		
6	AH200672	SHIELD	1		
7	14M7276	NUT	2	M16	
8	AH200696	BOLT	1		
9	AH200730	HOSE	1		
10	H94510	SPRING	1		
11	AH200584	GAUGE	1		
12	AH200772	WASHER	1		
13	AH200220	PIVOT	1		
14	11H210	COTTER PIN	1	3/16" X 1-1/4"	
15	P46402	SNAP RING	1		
16	24M7091	WASHER	1	26 X 44 X 4 MM	
17	AA5607R	SEAL	2		
18	H99147	BUSHING	2		
19	AH200168	ARM	1		
20	AH109197	PIN	1		
21	19H1732	CAP SCREW	3	3/8" X 1-1/4"	
	12H304	LOCK WASHER	3	3/8"	
	14H812	NUT	3	3/8"	
22	19H1900	CAP SCREW	2	5/16" X 3/4"	
	T16464	LOCK NUT	2	7.925 MM (5/16")	
23	H124261	SPACER	1		
24	19H1863	CAP SCREW	1	5/8" X 3"	

1D3

FC: 5835

POWER TRAIN

GEARCASE TOP IDLER
HP4089 -UN-01JAN94



HP4089

1D4

FC: 5835

POWER TRAIN

GEARCASE TOP IDLER - CONTINUED

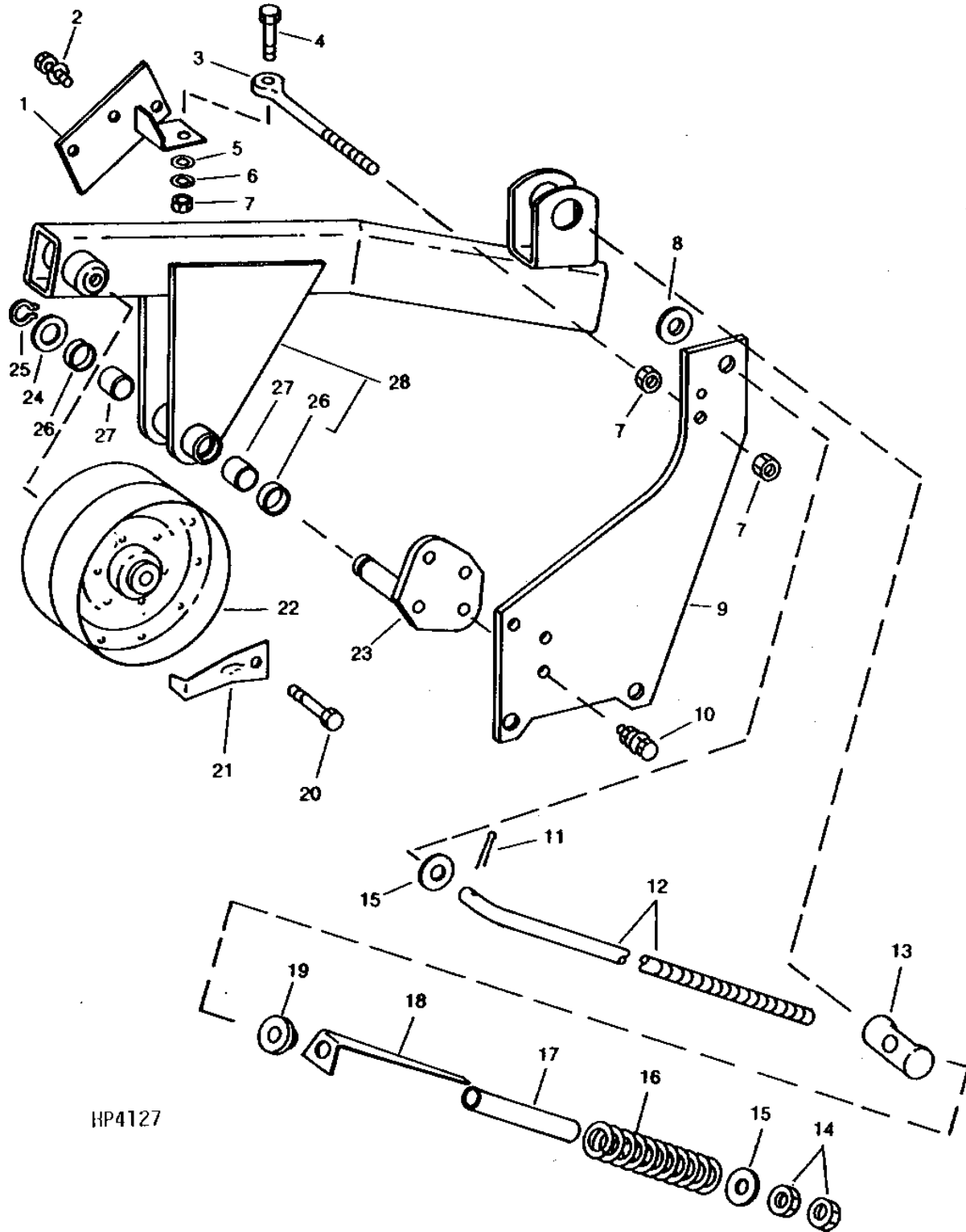
KEY	PART NO.	PART NAME	QTY	SERIAL NO.	REMARKS
1	N130666	LOCK NUT	1		25.400 MM (1") (SUB MG514101)
2	24H1463	WASHER	1		1-1/16" X 1-3/4" X 0.134"
3	40M7044	SNAP RING	2		
4	AH200136	BALL BEARING	2		
5	AH200193	SPACER	1		
6	JD7781	LUBRICATION FITTING	1		
7	AH200139	HOUSING	1		
8	AH200190	ARM	1		
9	AH200189	SUPPORT	1		
10	19H2128	CAP SCREW	1		3/8" X 3"
	H99923	LOCK NUT	1		9.525 MM (3/8")
11	AH200637	BRACE	1		
12	19H1731	CAP SCREW	2		3/8" X 1"
13	24H1305	WASHER	1		13/32" X 13/16" X 0.065"
14	H99923	LOCK NUT	2		9.525 MM (3/8")

1D5

FC: 5347

POWER TRAIN

MAIN DRIVE IDLER
HP4127 -UN-01JAN94



HP4127

1D6

FC: 5347

POWER TRAIN

MAIN DRIVE IDLER - CONTINUED

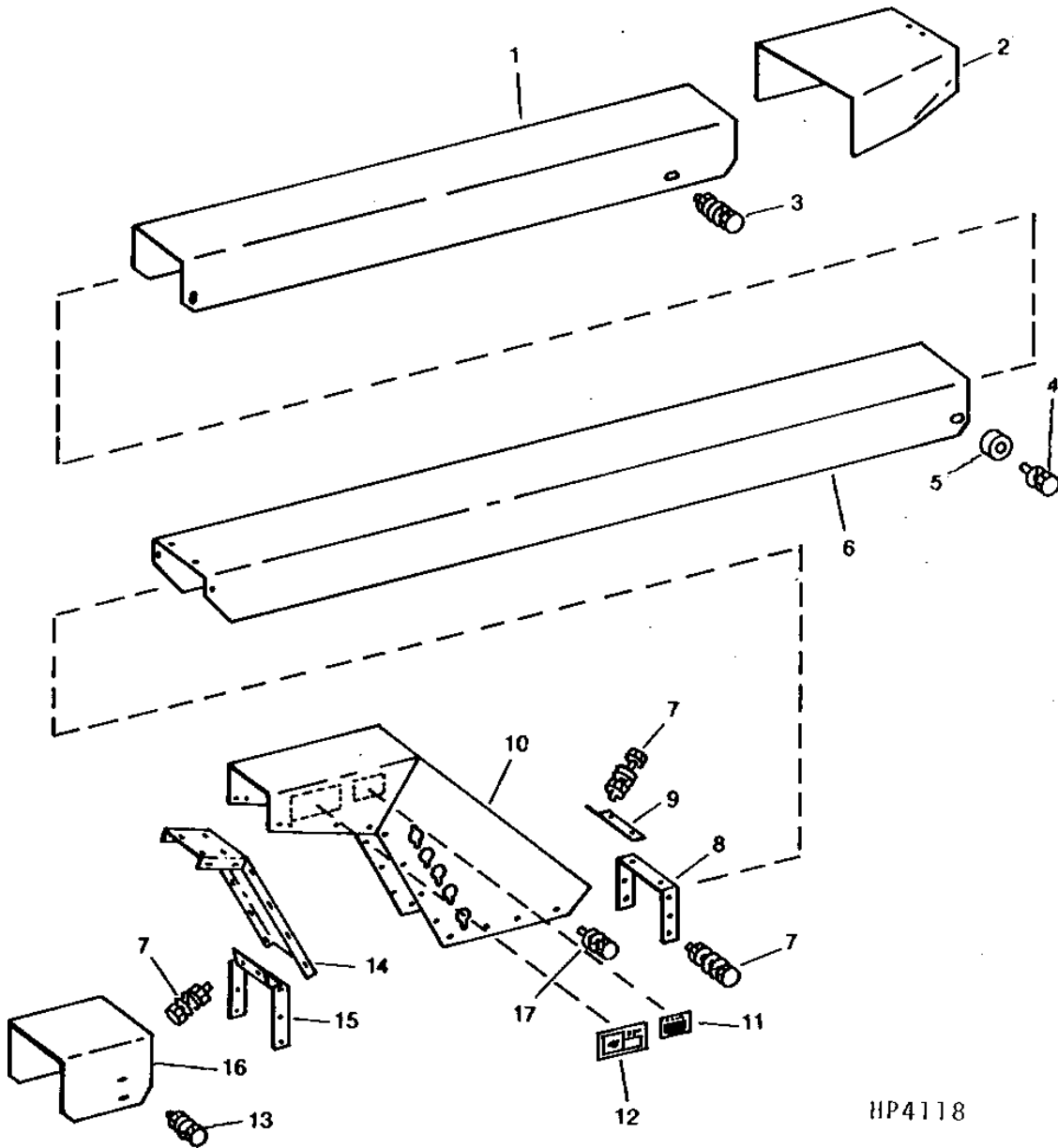
KEY	PART NO.	PART NAME	QTY	SERIAL NO.	REMARKS
1	AH200216	ANGLE	1		
2	19M7865	SCREW	3	M8 X 16	
	12H303	LOCK WASHER	3	5/16"	
3	H76498	EYEBOLT	1		
4	19H1815	CAP SCREW	1	1/2" X 1-1/4"	
5	24H1111	WASHER	1	17/32" X 1-1/16" X 0.090"	
6	12H301	LOCK WASHER	1	1/2"	
7	14H809	NUT	2	1/2", (SUB 14H1040)	
	14H1040	NUT	2	1/2"	
8	24H1106	WASHER	1	11/16" X 1-3/4" X 0.134"	
9	AH200203	PLATE	1		
10	19H1732	CAP SCREW	3	3/8" X 1-1/4"	
	14H812	NUT	3	3/8"	
	12H304	LOCK WASHER	3	3/8"	
11	11H210	COTTER PIN	1	3/16" X 1-1/4"	
12	AH200695	BOLT	1		
13	AH200220	PIVOT	1		
14	14M7276	NUT	2	M16	
15	24H1106	WASHER	2	11/16" X 1-3/4" X 0.134"	
16	H94510	SPRING	1		
17	AH200730	HOSE	1		
18	AH200583	GAUGE	1		
	14H812	NUT	3	3/8"	
19	AH200772	WASHER	1		
20	19H1930	CAP SCREW	1	1/2" X 2-1/2"	
21	H94387	BRACKET	2		
22	AH200182	IDLER	1		
23	AH109197	PIN	1		
24	24M7091	WASHER	1	26 X 44 X 4 MM	
25	P46402	SNAP RING	1		
26	AA5607R	SEAL	1		
27	H99147	BUSHING	1		
28	AH200206	ARM	1		

1D7

FC: 5339

POWER TRAIN

MAIN POWERSHAFT SHIELDS AND HOSE HOLDER
HP4118 -UN-01JAN94



HP4118

1D8

FC: 5339

POWER TRAIN

MAIN POWERSHAFT SHIELDS AND HOSE HOLDER - CONTINUED

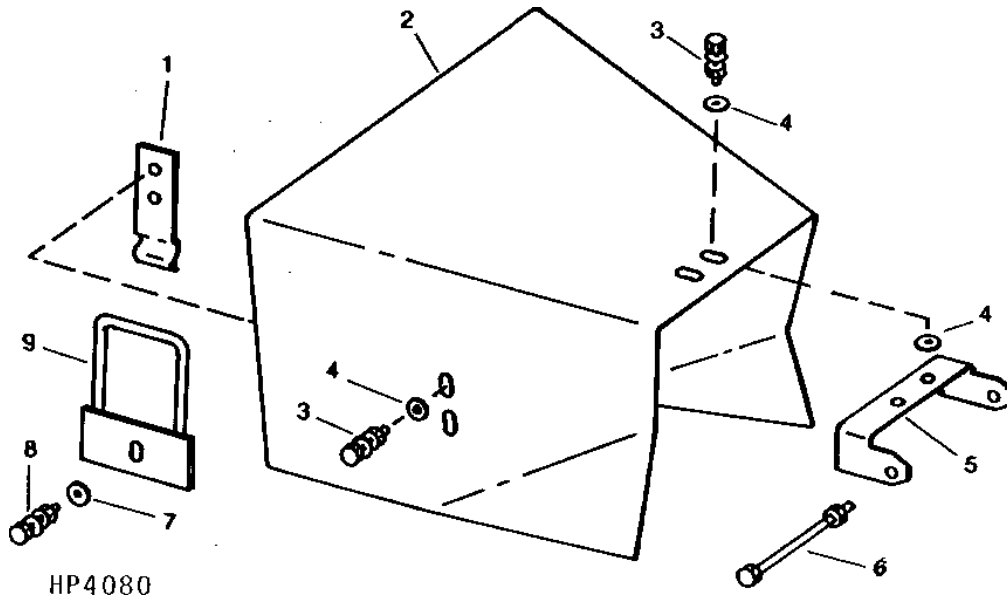
KEY	PART NO.	PART NAME	QTY	SERIAL NO.	REMARKS
1	AH200201	SHIELD	1		
2	AH200145	SHIELD	1		
3	19H1732	CAP SCREW	2	3/8" X 1-1/4"	
	24H1305	WASHER	2	13/32" X 13/16" X 0.065"	
	12H304	LOCK WASHER	2	3/8"	
	14H812	NUT	2	3/8"	
4	19H1765	CAP SCREW	2	3/8" X 1-3/4"	
	24H1305	WASHER	2	13/32" X 13/16" X 0.065"	
	14H812	NUT	2	3/8"	
5	H125860	ISOLATOR	2		
6	AH200200	SHIELD	1		
7	19H1731	CAP SCREW	18	3/8" X 1"	
	12H304	LOCK WASHER	18	3/8"	
	14H812	NUT	18	3/8"	
8	AH200803	BRACKET	1		
9	AH200141	BRACKET	1		
10	AH200827	HOUSING	1		
11	GN11175	DECAL	1	"CAUTION"	
12	E74026	DECAL	2	(SUB E82514) "DANGER" (DRIVE LINE ENTANGLEMENT)	
13	19H1936	CAP SCREW	16	3/8" X 3/4"	
	12H304	LOCK WASHER	16	3/8"	
	14H812	NUT	16	3/8"	
14	AH200003	HOUSING	1		
15	AH200142	BRACKET	1		
16	AH200112	SHIELD	1		
17	19H2038	CAP SCREW	6	3/8" X 1/2"	
	12H304	LOCK WASHER	6	3/8"	
	14H812	NUT	6	3/8"	

1D9

FC: 5339

POWER TRAIN

REAR UNIVERSAL JOINT SHIELD
HP4080 -UN-01JAN94



HP4080

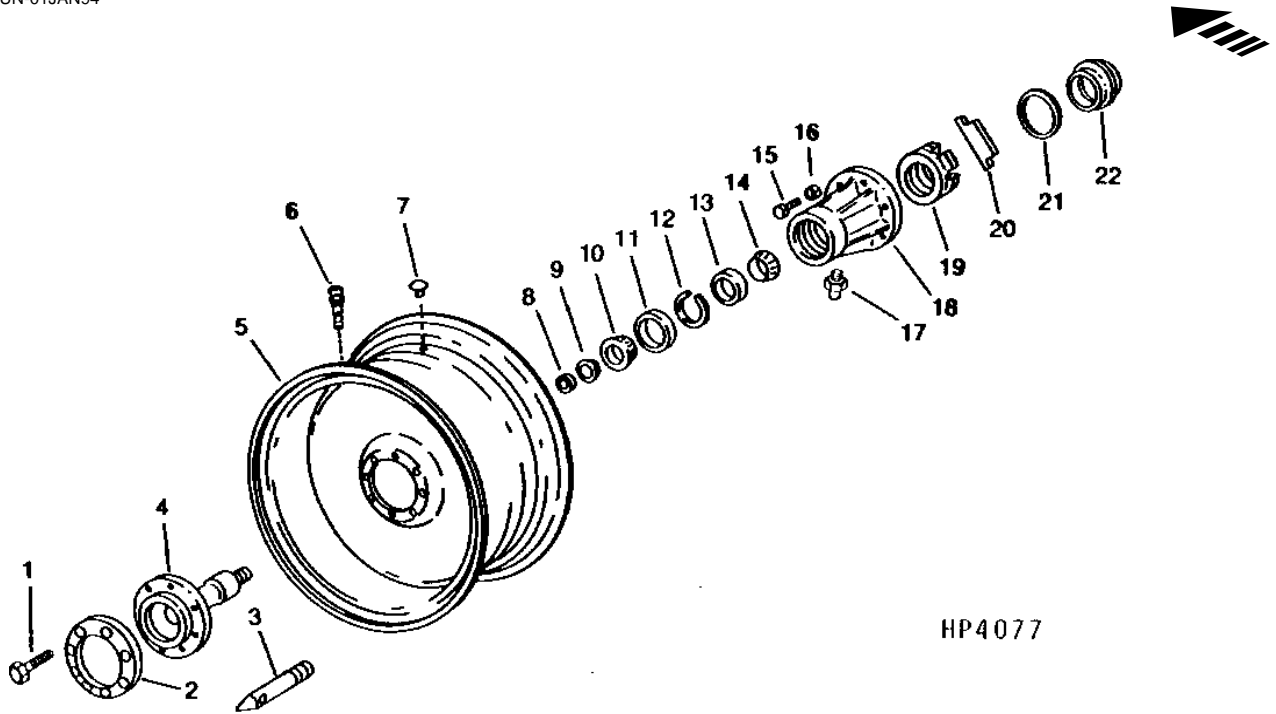
KEY	PART NO.	PART NAME	QTY	SERIAL NO.	REMARKS
1	H78884	LATCH	2		
2	AH200145	SHIELD	1		
3	19H1900	CAP SCREW	6	5/16" X 3/4"	
	12H303	LOCK WASHER	6	5/16"	
	14H785	NUT	6	5/16"	
4	24H1136	WASHER	8	11/32" X 11/16" X 0.065"	
5	H94389	BRACKET	1	(SUB AH139140)	
6	19H2342	CAP SCREW	1	5/16" X 4-1/2"	
	T16464	LOCK NUT	1	7.925 MM (5/16")	
7	24H1305	WASHER	2	13/32" X 13/16" X 0.065"	
8	19H1731	CAP SCREW	2	3/8" X 1"	
	12H304	LOCK WASHER	2	3/8"	
	H99923	LOCK NUT	2	9.525 MM (3/8")	
9	AH94480	LATCH	2	(SUB AH139140)	
..	AH139140	KIT	1	(INCLUDES AH94480 AND H94389)	

1D10

FC: 5311

POWER TRAIN

WHEEL, SPINDLE, AND HOUSING
HP4077 -UN-01JAN94



HP4077

KEY	PART NO.	PART NAME	QTY	SERIAL NO.	REMARKS
1	H86161	BOLT	8		
2	H86165	RING	1		
3	T44325	STUD	1		(WHEEL MOUNTING)
4	H103537	SPINDLE	1		
5	AH115053	WHEEL	1		
6	AT25226	STEM	1		
7	R55151	PLUG	1		
8	AH93852	SEAL	1		(SUB RE31702)
9	R59074	OIL CUP	1		
10	JD9018	BEARING CONE	1		
11	JD8248	BEARING CUP	1		
12	C565R	SNAP RING	1		
13	JD8296	BEARING CUP	1		
14	JD7378	BEARING CONE	1		
15	19H3280	CAP SCREW	8		3/4" X 3"
	12H236	LOCK WASHER	8		3/4"
16	14H863	NUT	8		3/4"
17	JD7798	LUBRICATION FITTING	1		
18	H94011	HOUSING	1		
19	H103538	NUT	1		
20	H93681	KEY	1		
21	P48703	SNAP RING	1		
22	H76441	CAP	1		

NOTE: QUANTITIES SHOWN ARE FOR ONE UNIT. TWO UNITS USED PER MACHINE.

FC: 0000

POWER TRAIN

MEMORANDA

FC: 0000

HYDRAULICS

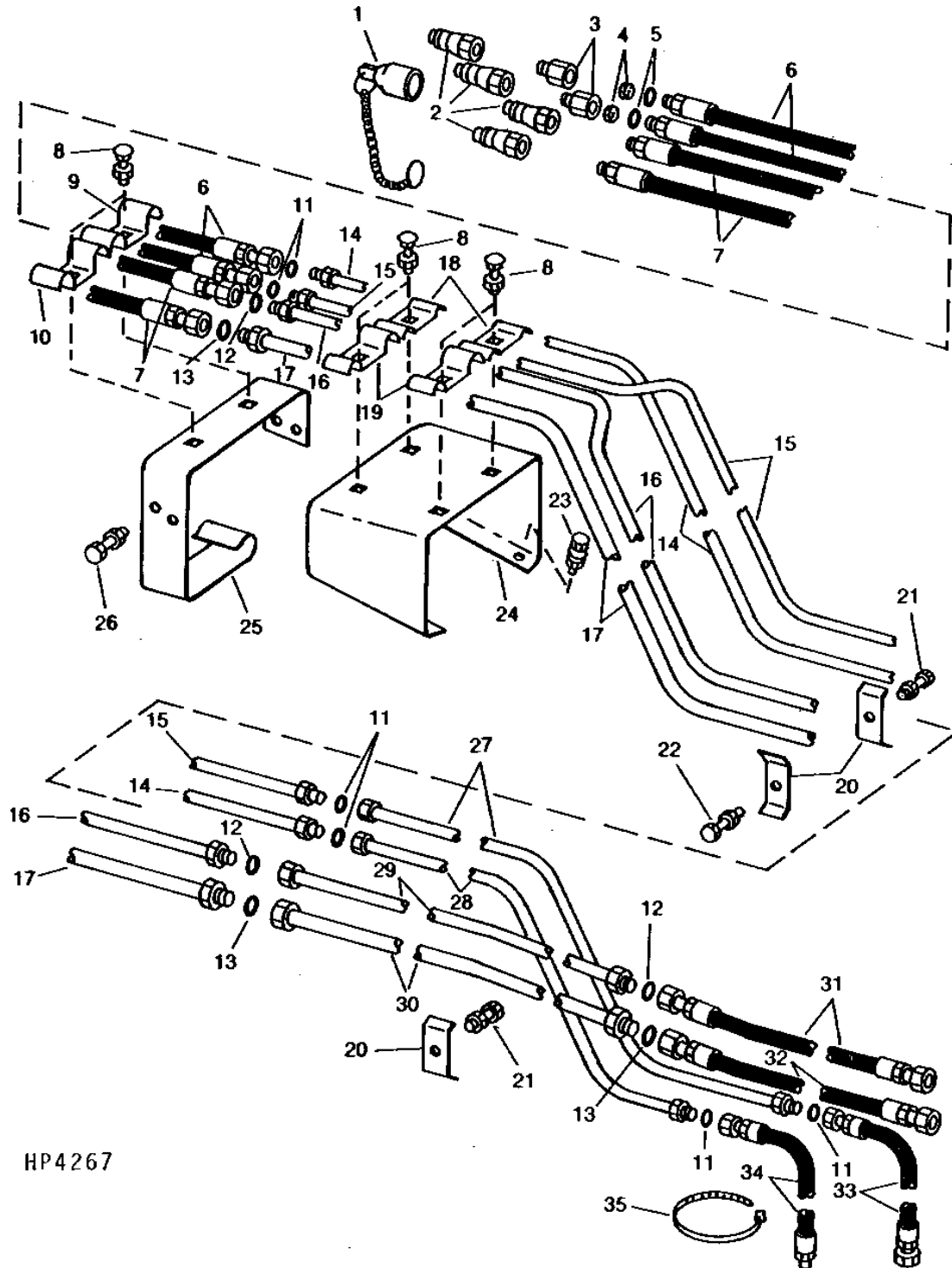
MEMORANDA

1D14

FC: 5927

HYDRAULICS

HITCH BEAM HYDRAULIC LINES AND HOSES
HP4267 -UN-01JAN94



HP4267

1D15

FC: 5927

HYDRAULICS

HITCH BEAM HYDRAULIC LINES AND HOSES - CONTINUED

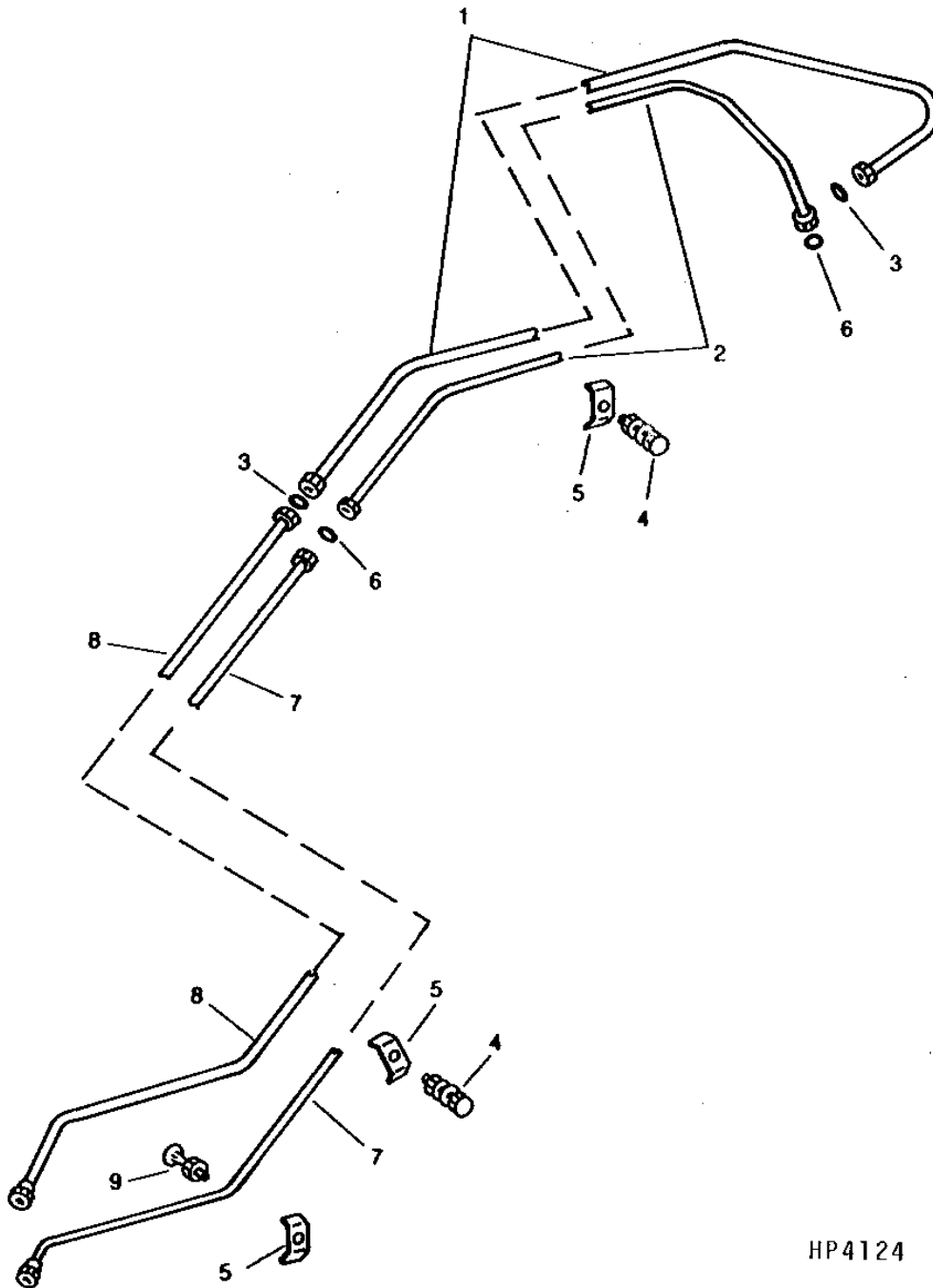
KEY	PART NO.	PART NAME	QTY	SERIAL NO.	REMARKS
1	A15898	CAP	4		
2	AR94522	INTERNAL HALF COUPLER	4		
3	H82308	ADAPTER	2		
4	H117975	ORIFICE	2		
5	R26375	O-RING	2		
6	AH200544	HYDRAULIC HOSE	2		3/8" X 1397 MM (55") X 3/8"
7	AH200545	HYDRAULIC HOSE	2		1/2" X 1397 MM (55") X 1/2"
8	03H1765	BOLT	6		3/8" X 3/4"
	H99923	LOCK NUT	6		9.525 MM (3/8")
9	AH200495	CLIP	1		
10	AH200496	CLIP	1		
11	T77613	O-RING	2		
12	T77857	O-RING	3		
13	T77932	O-RING	3		
14	AH200424	LINE	1		SWING CYLINDER - LOWER
15	AH200422	LINE	1		SWING CYLINDER - UPPER
16	AH200421	LINE	1		PRESSURE
17	AH200423	LINE	1		RETURN
18	AH200494	CLIP	2		
19	AH200493	CLIP	2		
20	AH200415	CLIP	10		
21	19H1801	CAP SCREW	1		3/8" X 2"
	14H807	NUT	1		7/16", SPACER FOR 3/8 IN. HYDRAULIC LINE
	H99923	LOCK NUT	1		9.525 MM (3/8")
22	19H1801	CAP SCREW	1		3/8" X 2"
	H99923	LOCK NUT	1		9.525 MM (3/8")
23	03H1936	BOLT	4		5/8" X 1-1/4"
	24H1305	WASHER	4		13/32" X 13/16" X 0.065"
	H99923	LOCK NUT	4		9.525 MM (3/8")
24	AH200414	BRACKET	1		
25	AH200497	BRACKET	1		
26	03H1936	BOLT	4		5/8" X 1-1/4"
	H99923	LOCK NUT	4		9.525 MM (3/8")
27	AH200419	LINE	1		SWING CYLINDER - UPPER
28	AH200420	LINE	1		SWING CYLINDER - LOWER
29	AH200417	LINE	1		PRESSURE
30	AH200418	LINE	1		RETURN
31	AH200549	HYDRAULIC HOSE	1		1/2" X 1778 MM (70") X 1/2", PRESSURE - LOWER
32	AH200550	HYDRAULIC HOSE	1		5/8" X 1854 MM (73") X 5/8" RETURN - UPPER
33	AH200548	HYDRAULIC HOSE	1		3/8" X 889 MM (35") X 3/8" SWING CYLINDER - UPPER
34	AH200547	HYDRAULIC HOSE	1		3/8" X 419 MM (16-1/2") X 3/8" SWING CYLINDER - LOWER
35	R44302	TIE BAND	1		

1D16

FC: 5916

HYDRAULICS

TRACTOR SUPPLY AND RETURN SYSTEM
HP4124 -UN-01JAN94



HP4124

1D17

FC: 5916

HYDRAULICS

TRACTOR SUPPLY AND RETURN SYSTEM - CONTINUED

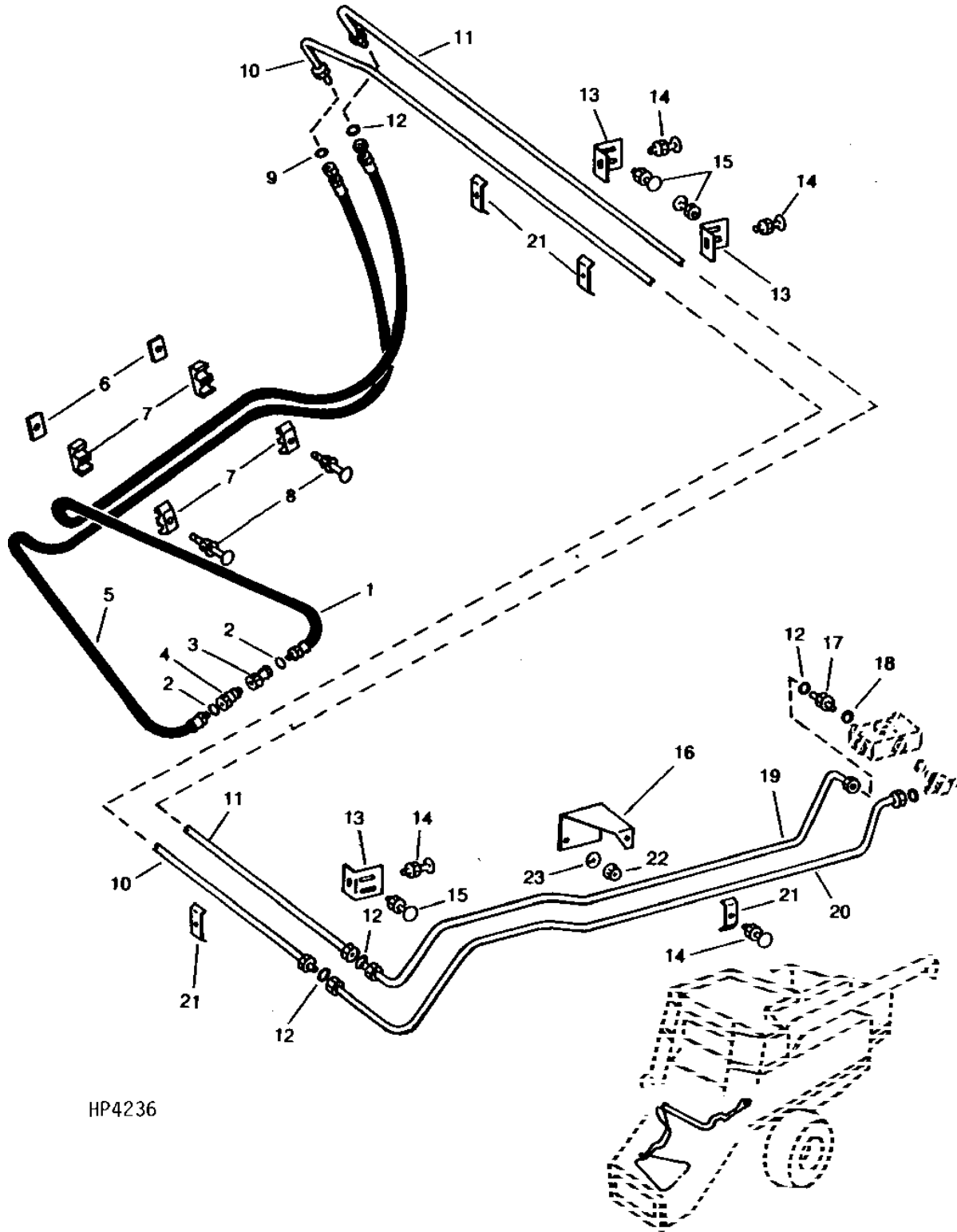
KEY	PART NO.	PART NAME	QTY	SERIAL NO.	REMARKS
1	AH200492	LINE	1		PRESSURE - UPPER
2	AH200490	LINE	1		RETURN - UPPER
3	T77932	O-RING	2		
4	19H1906	CAP SCREW	2		5/16" X 1-1/2"
	24H1136	WASHER	1		11/32" X 11/16" X 0.065"
	T16464	LOCK NUT	2		7.925 MM (5/16")
5	AH200415	CLIP	3		
6	T77857	O-RING	2		
7	AH200489	LINE	1		RETURN - LOWER PRESSURE - LOWER
8	AH200491	LINE	1		
9	03H1540	BOLT	2		5/16" X 3/4"

1D18

FC: 5916

HYDRAULICS

REEL DRIVE SYSTEM - FRONT AND LEFT-HAND SIDE
HP4236 -UN-01JAN94



HP4236

1D19

FC: 5916

HYDRAULICS

REEL DRIVE SYSTEM - FRONT AND LEFT-HAND SIDE

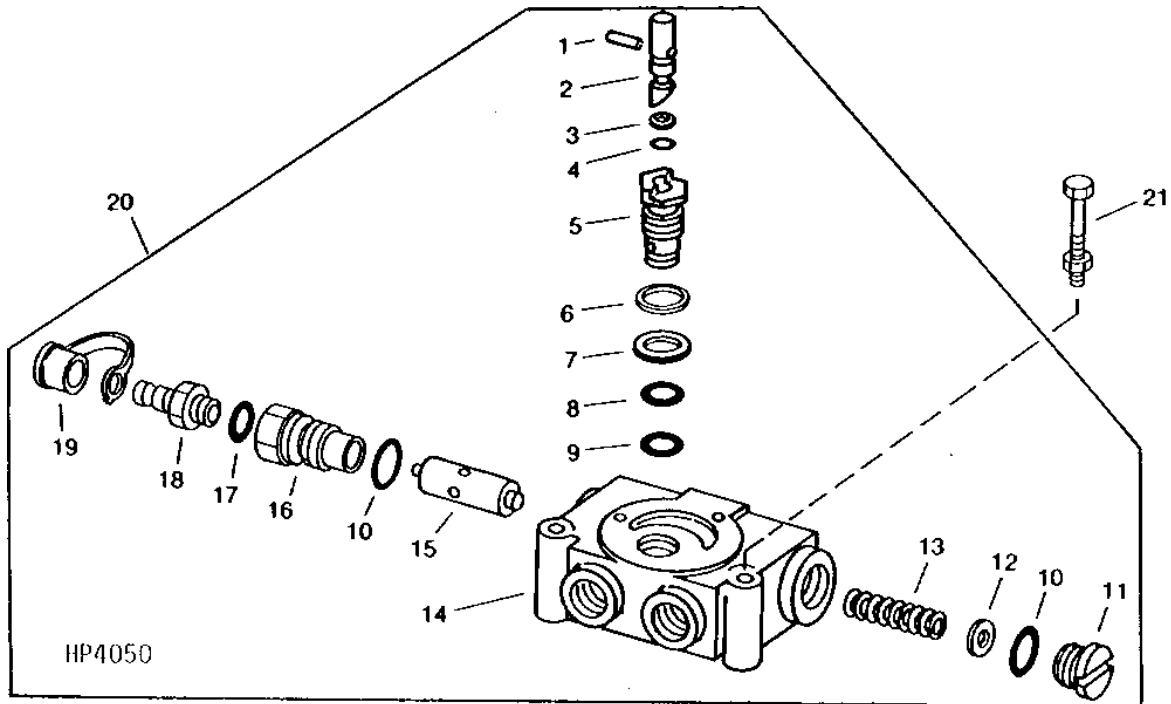
KEY	PART NO.	PART NAME	QTY	SERIAL NO.	REMARKS
1	AH130563	HYDRAULIC HOSE	1		3/4" X 2 852 MM (112-1/4") X 13/16", PRESSURE
2	R26375	O-RING	2		
3	AH75167	HYD. QUICK-CONNECT COUPLER	1		
4	AR94522	INTERNAL HALF COUPLER	1		
5	AH130564	HYDRAULIC HOSE	1		3/4" X 2 927 MM (115-1/4") X 1", RETURN
6	H112567	PLATE	2		
7	H122772	CLAMP	4		
8	03M7245	BOLT	2		M8 X 55
	14M7298	FLANGE NUT	2		M8
9	T77857	O-RING	1		
10	AH200522	LINE	1		
11	AH200523	LINE	1		
12	T77932	O-RING	1		
13	AH200310	SUPPORT	3		
14	03H1495	BOLT	4		3/8" X 1-1/2"
	H99923	LOCK NUT	4		9.525 MM (3/8")
15	03H1540	BOLT	6		5/16" X 3/4"
	T16464	LOCK NUT	6		7.925 MM (5/16")
16	AH200514	BRACKET	1		
17	38H1162	ADAPTER	1		
18	R26906	O-RING	1		
19	AH200516	LINE	1		PRESSURE
20	AH200517	LINE	1		RETURN
21	AH200415	CLIP	4		
22	14M7296	FLANGE NUT	2		M10
23	12M7066	LOCK WASHER	2		10.200 MM

1D20

FC: 5924

HYDRAULICS

REEL DRIVE FLOW CONTROL VALVE
HP4050 -UN-01JAN94



1D21

FC: 5924

HYDRAULICS

REEL DRIVE FLOW CONTROL VALVE - CONTINUED

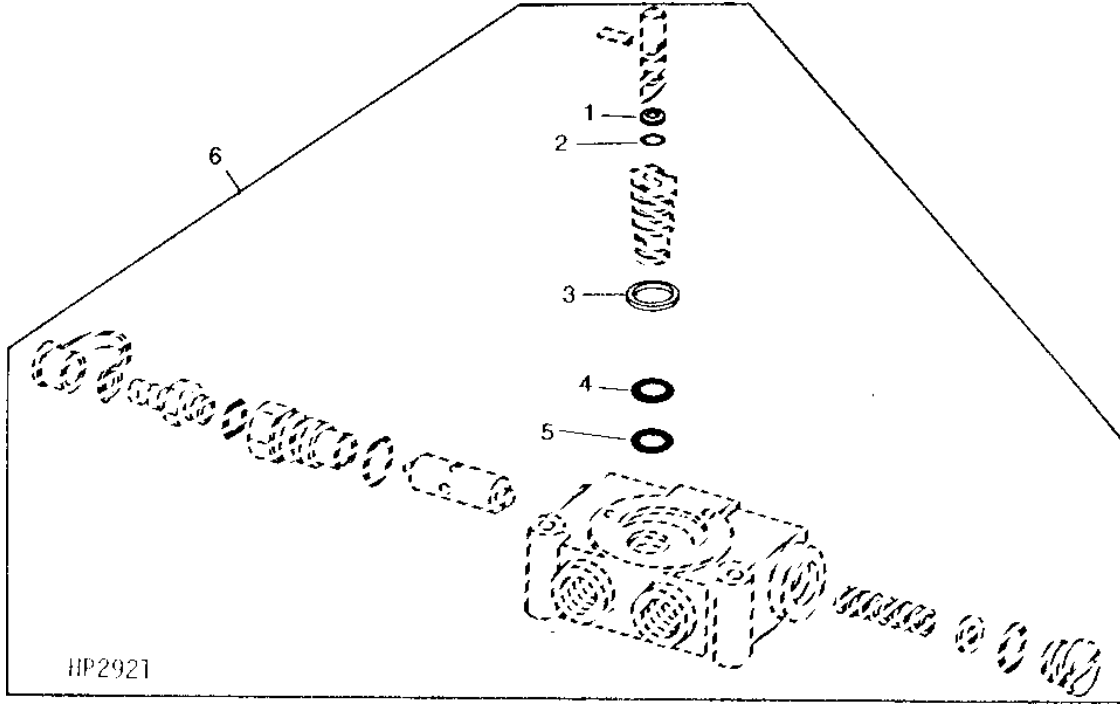
KEY	PART NO.	PART NAME	QTY	SERIAL NO.	REMARKS
1	GROOVE PIN	1		
2	SPOOL	1		
3	BACK-UP RING	1		
4	O-RING	1		
5	PLUG	1		
6	SHIM	1		
7	BACK-UP RING	1		(KIT AH136203 OR AH136248)
8	O-RING	1		(KIT AH136203 OR AH136248)
9	O-RING	1		(KIT AH136203 OR AH136248)
10	H63289	O-RING	1		
11	PLUG	1		
12	PLUG	1		
13	SPRING	1		
14	HOUSING	1		
15	VALVE	1		
16	PLUG	1		
17	R26448	O-RING	1		
18	AH125760	HYD. QUICK-CONNECT COUPLER	1		
19	R77175	COVER	1		
20	AH136202	CHECK VALVE	1		(SUB AH140902)
21	19M7801	SCREW	2		M8 X 60
..	14M7298	FLANGE NUT	2		M8
..	AH136203	KIT	1		(SUB AH140903)
..	AH136248	SEAL KIT	1		

1D22

FC: 5924

HYDRAULICS

SEAL REPAIR KIT FOR REEL DRIVE FLOW CONTROL VALVE
 HP2921 -UN-01JAN94



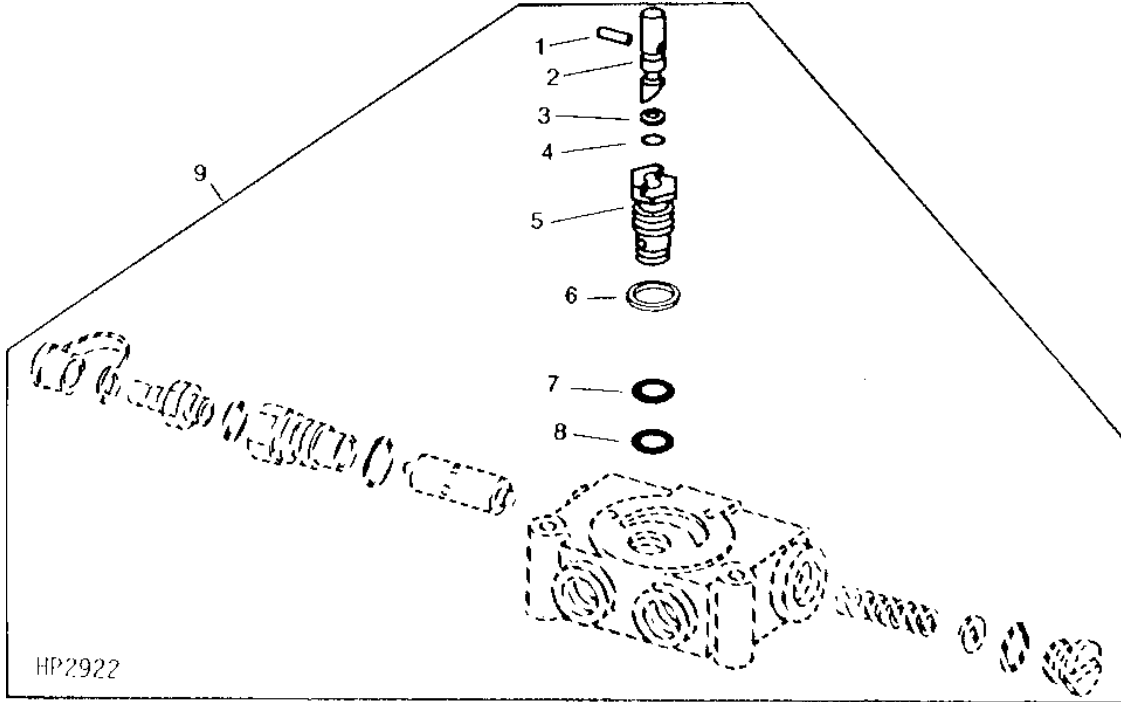
KEY	PART NO.	PART NAME	QTY	SERIAL NO.	REMARKS
1	BACK-UP RING	1		
2	O-RING	1		
3	BACK-UP RING	1		
4	O-RING	1		
5	O-RING	1		
6	AH136248	SEAL KIT	1		

1D23

FC: 5924

HYDRAULICS

ADJUSTING SCREW KIT FOR REEL DRIVE FLOW CONTROL VALVE
 HP2922 -UN-01JAN94



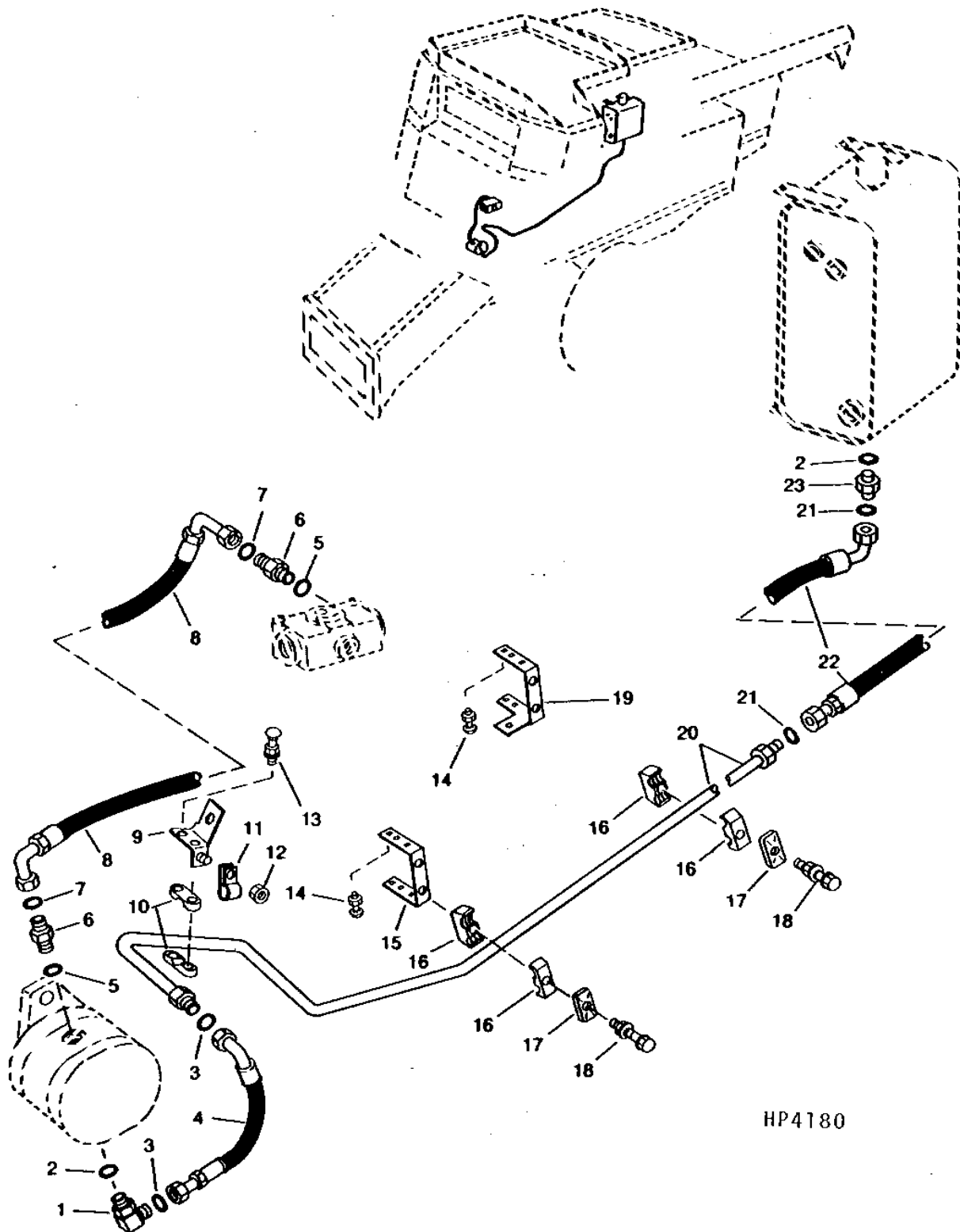
KEY	PART NO.	PART NAME	QTY	SERIAL NO.	REMARKS
1	GROOVE PIN	1		
2	SPOOL	1		
3	BACK-UP RING	1		
4	O-RING	1		
5	PLUG	1		
6	BACK-UP RING	1		
7	O-RING	1		
8	O-RING	1		
9	AH129323	KIT	1	(SUB AH136203)	
	AH136203	KIT	1	(SUB AH140903)	
	AH140903	KIT	1		

1D24

FC: 5924

HYDRAULICS

REEL PUMP HYDRAULIC LINES AND HOSES
HP4180 -UN-01JAN94



HP4180

1D25

FC: 5924

HYDRAULICS

REEL PUMP HYDRAULIC LINES AND HOSES - CONTINUED

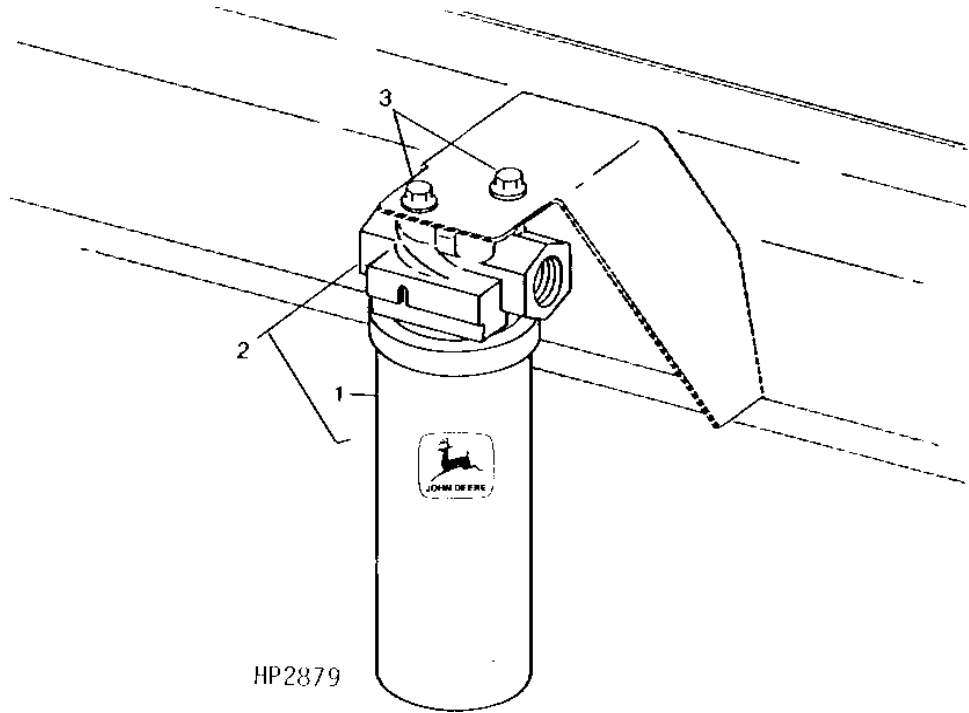
KEY	PART NO.	PART NAME	QTY	SERIAL NO.	REMARKS
1	38H1052	ELBOW FITTING	1		
2	R29936	O-RING	2		
3	T77858	O-RING	2		
4	AH128584	HYDRAULIC HOSE	1		1-3/16" X 390 MM (15-1/4") X 1-3/16" (REEL PUMP SUCTION)
5	R26906	O-RING	2		
6	38H1174	ADAPTER	2		
7	T77857	O-RING	2		
8	AH131876	HYDRAULIC HOSE	1		13/16" X 840 MM (33") X 13/16" (REEL PUMP PRESSURE)
9	AH126389	BRACKET	1		
10	H114432	CLAMP	2		
11	T72393	CLAMP	1		
12	14M7298	FLANGE NUT	1		M8
13	03M7280	BOLT	2		M6 X 45 (RD. HEAD)
	14M7303	FLANGE NUT	2		M6
14	03M7184	BOLT	8		M8 X 20
	14M7396	LOCK NUT	8		M8
15	H131115	BRACKET	1		
16	H120362	CLAMP	4		
17	H112567	PLATE	2		
18	19M7801	SCREW	2		M8 X 60
	14M7298	FLANGE NUT	2		M8
19	H133659	BRACKET	1		
20	AH200498	OIL TUBE	1		REEL PUMP SUCTION
21	T76938	O-RING	2		
22	AH126242	HYDRAULIC HOSE	1		1-7/16" X 730 MM (28-3/4") X 1-7/16", REEL PUMP SUCTION
23	38H1164	ADAPTER	1		

1E1

FC: 5914

HYDRAULICS

MAIN HYDRAULIC FILTER ASSEMBLY
HP2879 -UN-01JAN94



HP2879

KEY	PART NO.	PART NAME	QTY	SERIAL NO.	REMARKS
1	AH128449	HYDRAULIC FILTER	1		
2	AH125733	FILTER HEAD	1		
3	19M7784	SCREW	2	M10 X 20	

FC: 0000

HYDRAULICS

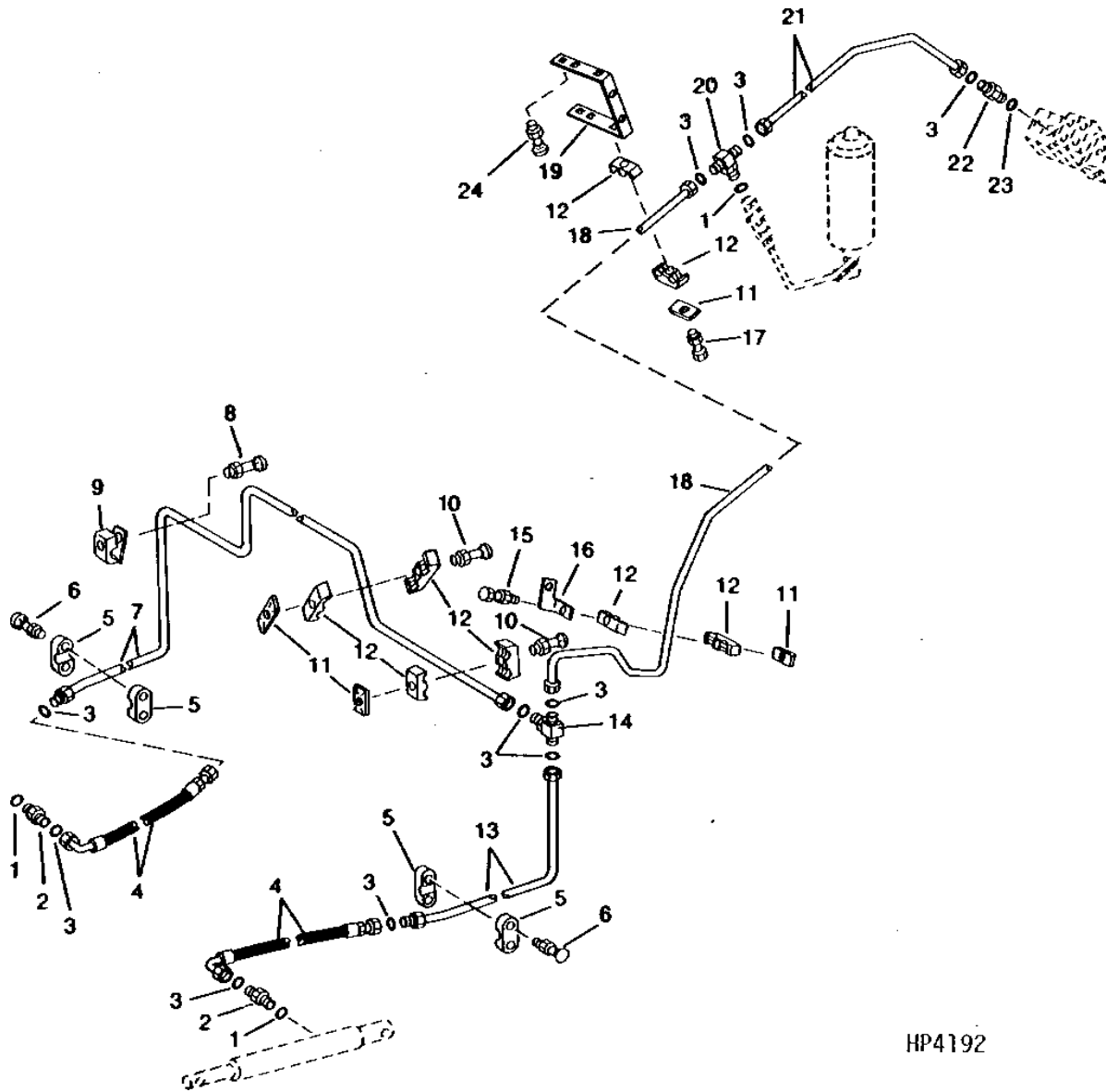
MEMORANDA

1E2

FC: 5921

HYDRAULICS

HEADER LIFT HYDRAULIC LINES AND HOSES
HP4192 -UN-01JAN94



HP4192

1E3

FC: 5921

HYDRAULICS

HEADER LIFT HYDRAULIC LINES AND HOSES - CONTINUED

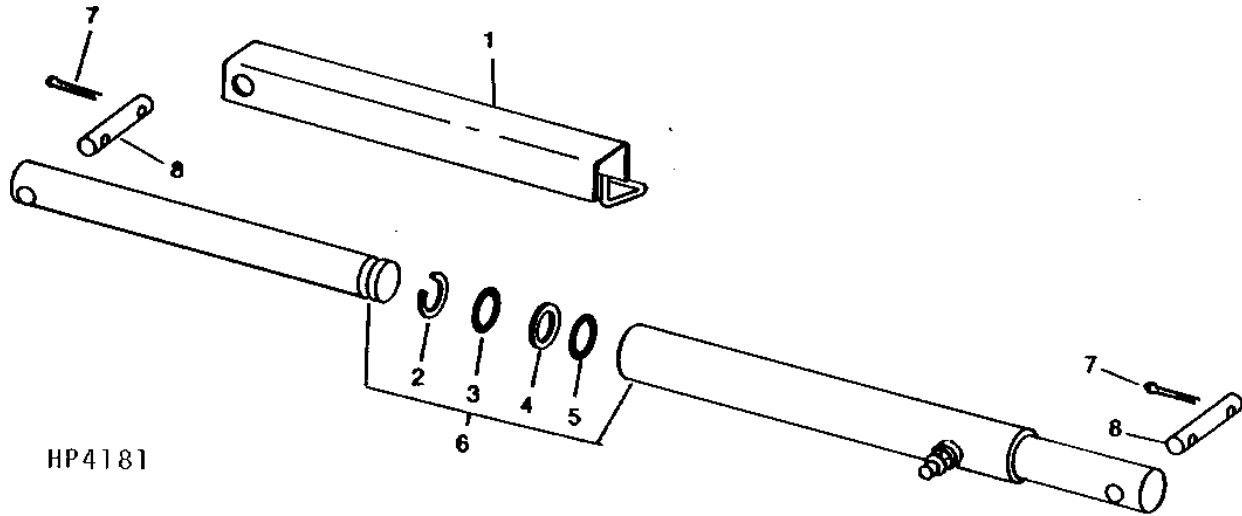
KEY	PART NO.	PART NAME	QTY	SERIAL NO.	REMARKS
1	R26375	O-RING	3		
2	38H1161	ADAPTER	2		
3	T77857	O-RING	10		
4	AH121605	HYDRAULIC HOSE	2		13/16" X 515 MM (20-1/4") X 13/16"
5	H117937	CLAMP	4		
6	03M7189	BOLT	4		M8 X 45 (RD. HEAD)
	14M7298	FLANGE NUT	4		M8
7	AH131378	OIL LINE	1		
8	03M7280	BOLT	1		M6 X 45 (RD. HEAD)
	14M7303	FLANGE NUT	1		M6
9	H116706	CLAMP	1		
10	03M7262	BOLT	2		M6 X 50 (RD. HEAD)
	14M7303	FLANGE NUT	2		M6
11	H121168	PLATE	4		
12	H108291	CLAMP	8		
13	AH130113	HYDRAULIC LINE	1		
14	38H1206	TEE FITTING	1		
15	19M8317	SCREW	1		M8 X 40
	14M7298	FLANGE NUT	1		M8
16	H135974	BRACKET	1		
17	19M8318	SCREW	1		M8 X 45
	14M7298	FLANGE NUT	1		M8
18	AH131576	HYDRAULIC LINE	1		
19	H131115	BRACKET	1		
20	38H1017	TEE FITTING	1		
21	AH128753	HYDRAULIC LINE	1		
22	38H1173	ADAPTER	1		
23	R26448	O-RING	1		
24	03M7184	BOLT	4		M8 X 20 (RD. HEAD)
	14M7396	LOCK NUT	4		M8

1E4

FC: 5921

HYDRAULICS

HEADER LIFT HYDRAULIC CYLINDER
HP4181 -UN-01JAN94



HP4181

KEY	PART NO.	PART NAME	QTY	SERIAL NO.	REMARKS
1	AH138360	STOP	1		(SAFETY) (R.H. CYLINDER ONLY)
2	RING	1		RETAINING, (KIT AE32374)
3	SEAL	1		(KIT AE32374)
4	WASHER	1		BACKUP, (KIT AE32374)
5	O-RING	1		(KIT AE32374)
6	AH135492	CYLINDER	1		(SUB AH139610) (COMPLETE COMPONENT) (1-7/8" BORE)
7	H95042	COTTER PIN	4		
8	H116894	PIN	2		
..	AE32374	SEAL KIT	1		

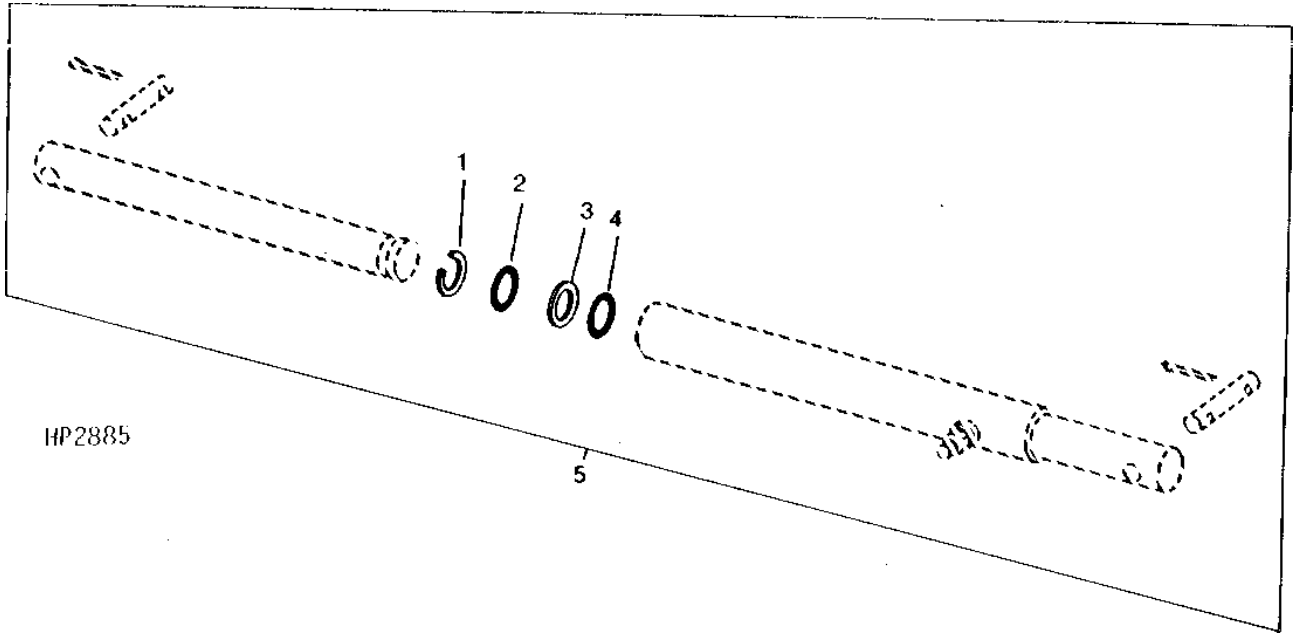
NOTE: QUANTITIES SHOWN ARE FOR ONE UNIT. TWO UNITS USED PER MACHINE.

1E5

FC: 5921

HYDRAULICS

HEADER LIFT HYDRAULIC CYLINDER KIT
 HP2885 -UN-01JAN94



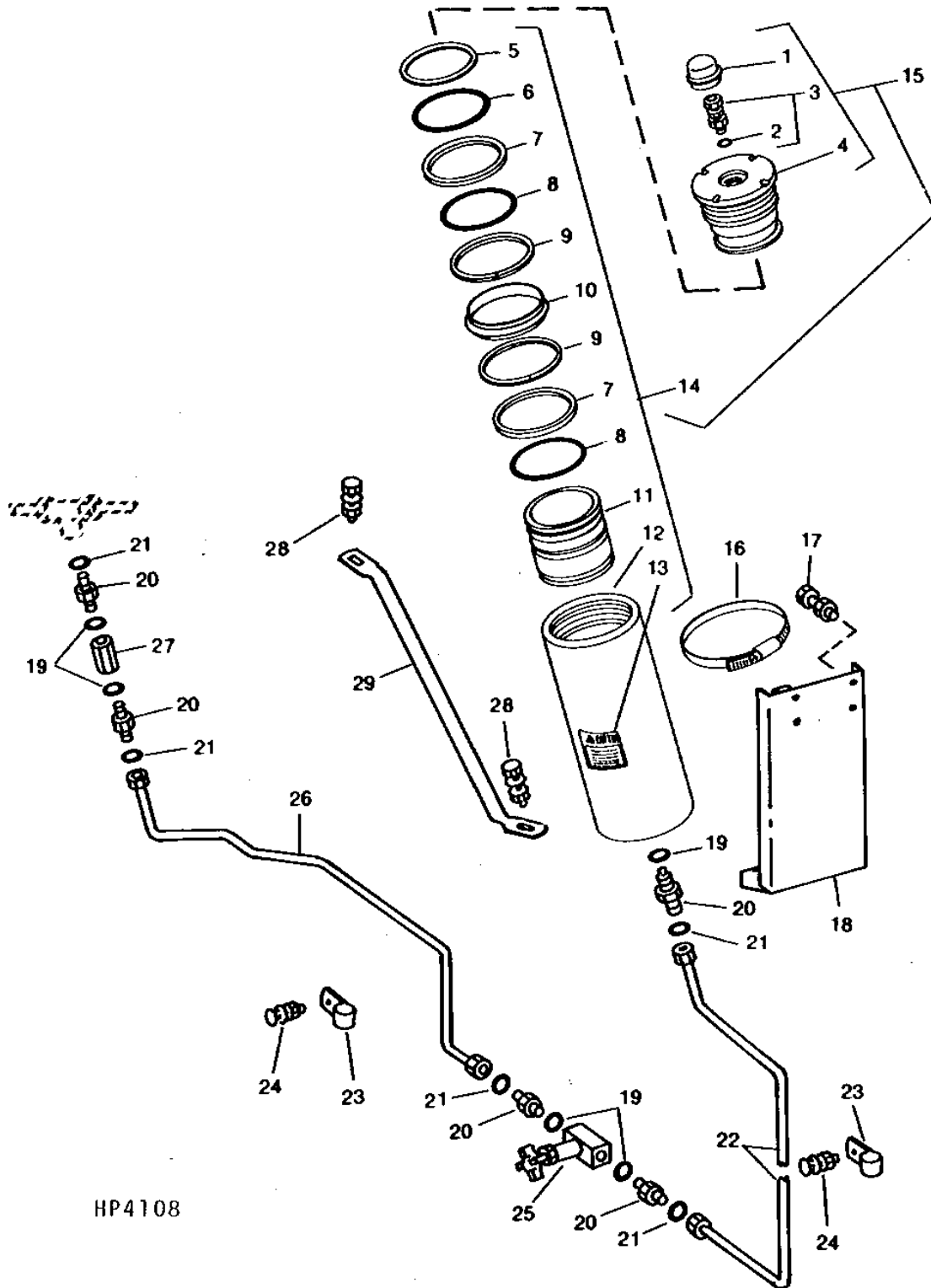
KEY	PART NO.	PART NAME	QTY	SERIAL NO.	REMARKS
1	RING	1	(RETAINING)	
2	SEAL	1		
3	WASHER	1		
4	O-RING	1		
5	AE32374	SEAL KIT	1	(SEAL REPAIR)	

1E6

FC: 5921

HYDRAULICS

SINGLE ACCUMULATOR AND MOUNTING
HP4108 -UN-01JAN94



HP4108

1E7

FC: 5921

HYDRAULICS

SINGLE ACCUMULATOR AND MOUNTING - CONTINUED

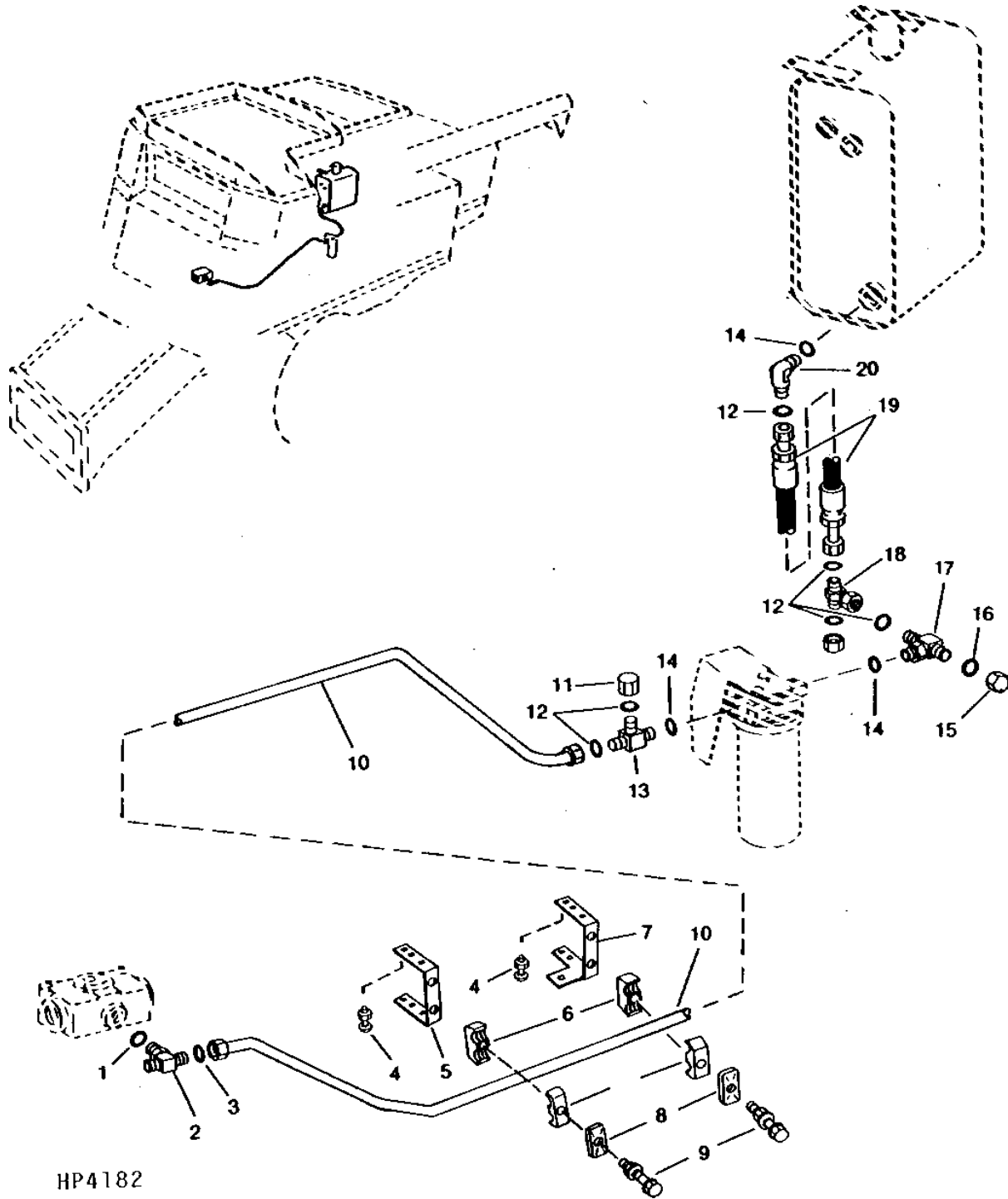
KEY	PART NO.	PART NAME	QTY	SERIAL NO.	REMARKS
1	J2375M	CAP	1		
2	H135641	RING	1		
3	AH131250	BLEED VALVE	1		
4	CAP	1	(KIT AH133285)	
5	BACK-UP RING	1	(KIT AH133265)	
6	O-RING	1	(KIT AH133265)	
7	SEAL	2	(KIT AH133265)	
8	O-RING	2	(KIT AH133265)	
9	BACK-UP RING	2	(KIT AH133265)	
10	SEAL	1	(KIT AH133265)	
11	PISTON	1	(KIT AH133265)	
12	BARREL	1	(KIT AH133265)	
13	H138423	LABEL	1	-SEPT94	(SUB H149092) "CAUTION"
	H149092	LABEL	1		"CAUTION"
14	AH133265	ACCUMULATOR	1		
15	AH133285	SEAL	1		
16	C16054	CLAMP	1		
17	19H1731	CAP SCREW	4		3/8" X 1"
	H99923	LOCK NUT	4		9.525 MM (3/8")
18	AH200798	BRACKET	1		
19	R26375	O-RING	5		
20	38H1161	ADAPTER	4		
21	T77857	O-RING	4		
22	AH200632	LINE	1		
23	H75541	CLAMP	1		
24	19M7864	SCREW	2		M8 X 12
	T16464	LOCK NUT	2		7.925 MM (5/16")
25	AH131535	VALVE	1		
26	AH200631	LINE	1		
27	R30815	FITTING	1		
28	19H1731	CAP SCREW	2		
	24H1305	WASHER	2		13/32" X 13/16" X 0.065"
	H99923	LOCK NUT	2		9.525 MM (3/8")
29	AH200630	BRACE	1		

1E8

FC: 5916

HYDRAULICS

HYDRAULIC RETURN LINES
HP4182 -UN-01JAN94



HP4182

1E9

FC: 5916

HYDRAULICS

HYDRAULIC RETURN LINES - CONTINUED

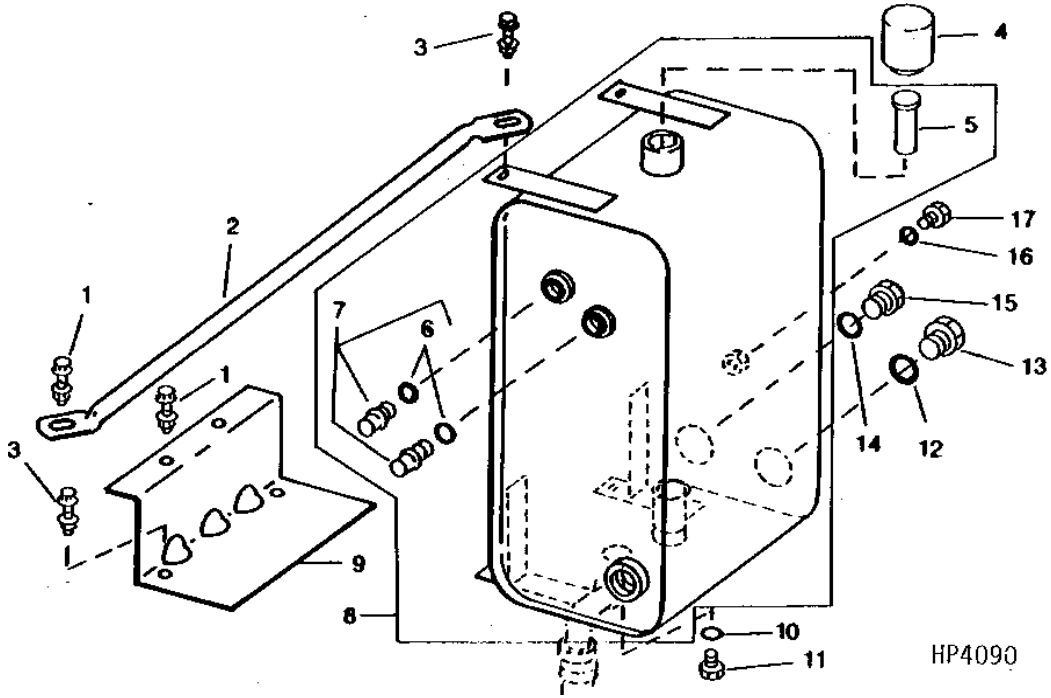
KEY	PART NO.	PART NAME	QTY	SERIAL NO.	REMARKS
1	R26906	O-RING	1		
2	38H1018	TEE FITTING	1		
3	T77932	O-RING	1		
4	03M7184	BOLT	8		M8 X 20 (RD. HEAD)
	14M7396	LOCK NUT	8		M8
5	H131115	BRACKET	1		
6	H120362	CLAMP	4		
7	H133659	BRACKET	1		
8	H112567	PLATE	2		
9	19M7801	SCREW	2		M8 X 60
	H112567	PLATE	2		
10	AH200501	OIL TUBE	1		RETURN
11	38H1418	FITTING PLUG	1		
12	T77858	O-RING	5		
13	38H1438	TEE FITTING	1		
14	R29936	O-RING	2		
15	38H1419	FITTING PLUG	1		
16	T76938	O-RING	1		
17	38H1437	TEE FITTING	1		
18	38H1041	TEE FITTING	1		
19	AH200551	HYDRAULIC HOSE	1		RETURN
20	38H1305	ELBOW FITTING	1		

1E10

FC: 5914

HYDRAULICS

HYDRAULIC/HYDROSTATIC OIL RESERVOIR AND MOUNTINGS
HP4090 -UN-01JAN94



HP4090

KEY	PART NO.	PART NAME	QTY	SERIAL NO.	REMARKS
1	19M7786	SCREW	3	M10 X 30	
	14M7296	FLANGE NUT	3	M10	
2	H200267	BRACE	1		
3	19M7866	SCREW	4	M8 X 20	
	14M7298	FLANGE NUT	4	M8	
4	AH106695	CAP	1		
5	AH131334	SCREEN	1		
6	R375R	O-RING	2		
7	AH87790	LENS	1		
8	AH130168	HYDRAULIC RESERVOIR	1		
9	H200266	BRACKET	1		
10	R26448	O-RING	1		
11	R27218	FITTING PLUG	1		
12	R29936	O-RING	1		
13	R36636	FITTING PLUG	1		
14	T77858	O-RING	1		
15	R27175	DRAIN PLUG	1		
16	R26375	O-RING	1		
17	R39112	FITTING	1		

FC: 0000

HYDRAULICS

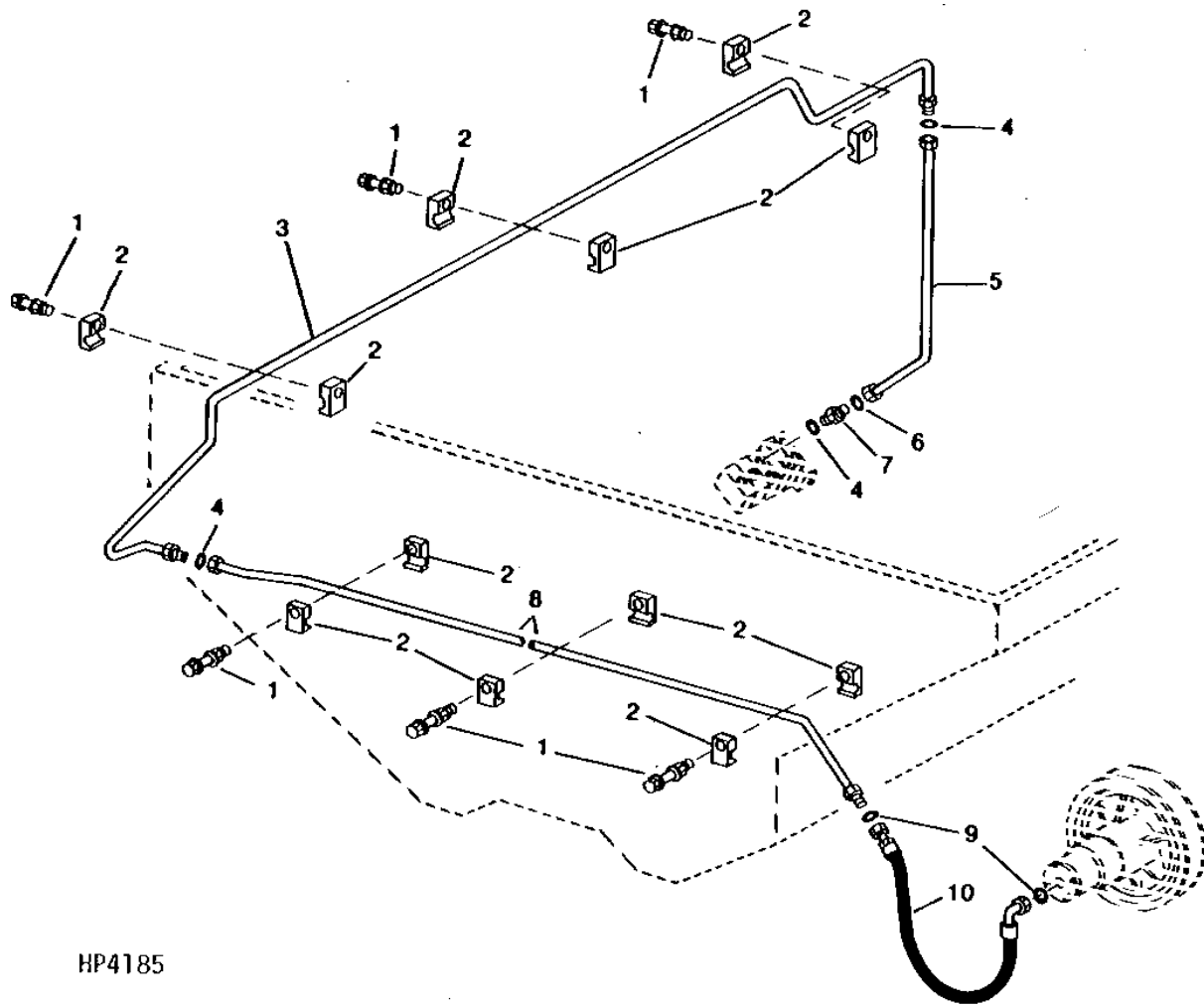
MEMORANDA

1E11

FC: 5931

HYDRAULICS

CYLINDER SPEED HYDRAULIC LINES AND HOSES
HP4185 -UN-01JAN94



HP4185

1E12

FC: 5931

HYDRAULICS

CYLINDER SPEED HYDRAULIC LINES AND HOSES - CONTINUED

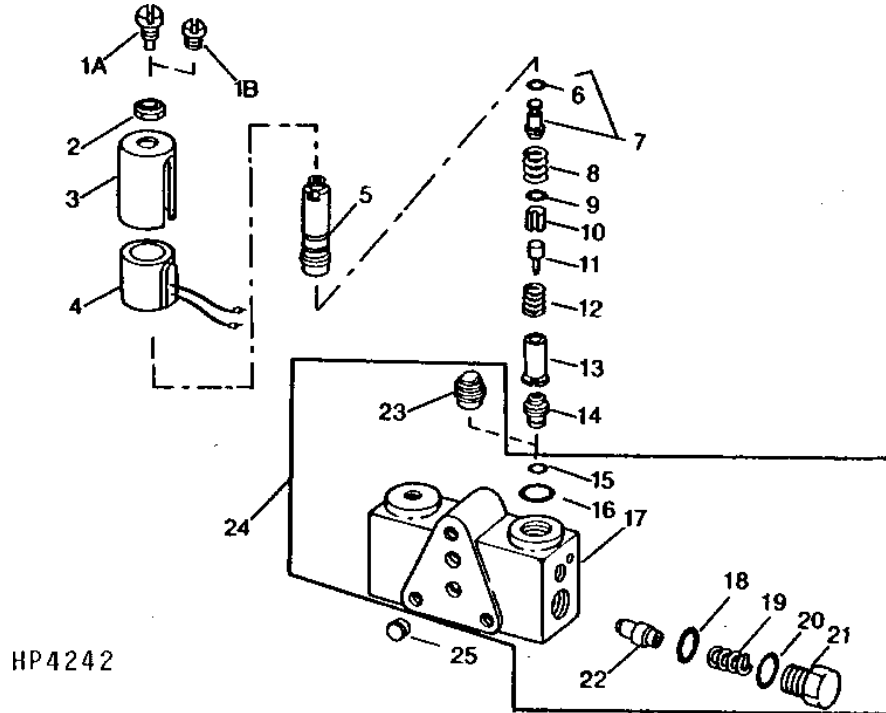
KEY	PART NO.	PART NAME	QTY	SERIAL NO.	REMARKS
1	19M8317	SCREW	6		
	14M7298	FLANGE NUT	6	M8 X 40	
2	H127589	CLAMP	12	M8	
3	AH127892	HYDRAULIC LINE	1		
4	T77613	O-RING	3		
5	AH128853	HYDRAULIC LINE	1		
6	R26448	O-RING	1		
7	AH130629	FITTING	1		
8	AH128640	HYDRAULIC LINE	1		
9	T77814	O-RING	2		
10	AH128639	HYDRAULIC HOSE	1		9/16" X 410 MM (16-1/4") X 9/16"

1E13

FC: 5924

HYDRAULICS

SOLENOID CONTROL VALVE UNLOAD MODULE
HP4242 -UN-01JAN94



HP4242

KEY	PART NO.	PART NAME	QTY	SERIAL NO.	REMARKS
1A	E73558	SCREW	1		(A) CLOSED CENTER HYDRAULIC SYSTEM
1B	E73557	SCREW	1		(A) OPEN CENTER HYDRAULIC SYSTEM
2	A4655R	NUT	1		12.700 MM (1/2")
3	E62942	COVER	1		
4	AH124731	ELECTRICAL COIL	1		
5	SLEEVE	1		(B)
6	O-RING	1		(A)
7	PLUNGER	1		(A)
8	SPRING	1		(A)
9	WASHER	1		(D)
10	ARMATURE	1		(B)
11	POPPET	1		(D)
12	SPRING	1		(D)
13	SOLENOID	1		(B)
14	ORIFICE	1		(D)
15	U40962	O-RING	1		
16	U15980	O-RING	1		(D)
17	HOUSING	1		(SUB AH137198)
18	O-RING	1		
19	SPRING	1		
20	R26906	O-RING	1		
21	PIPE PLUG	1		
22	POPPET	1		(SUB AH137198)
23	PLUG	1		(SUB AH137198)
24	AH137198	VALVE	1		
25	AH131405	SEAL	1		
..	AE37846	KIT	1		(SUB AE49008) STACK CONVERSION (INCLUDES PARTS MARKED (A))
..	AE37847	KIT	1		(SUB AE49008) ARMATURE (INCLUDES PARTS MARKED (B))
..	AE37060	KIT	1		POPPET (INCLUDES PARTS MARKED (D))

FC: 0000

HYDRAULICS

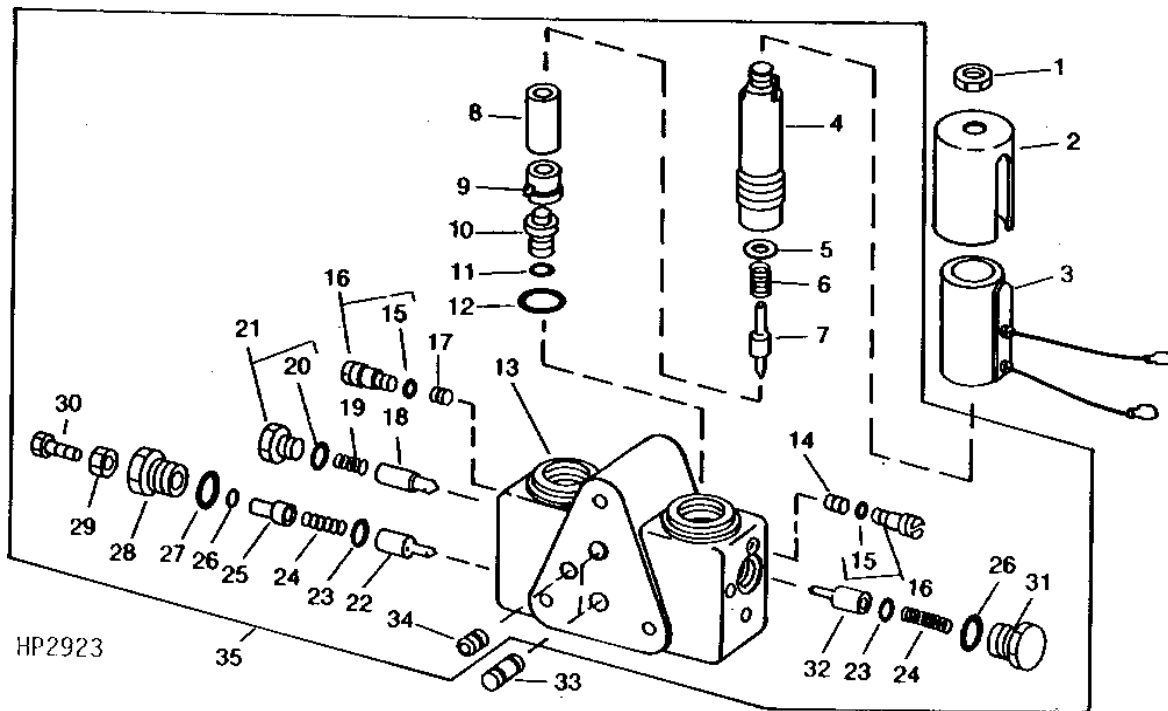
MEMORANDA

1E14

FC: 5921

HYDRAULICS

SOLENOID CONTROL VALVE FOR HEADER LIFT MODULE
HP2923 -UN-01JAN94



1E15

FC: 5921

HYDRAULICS

SOLENOID CONTROL VALVE FOR HEADER LIFT MODULE - CONTINUED

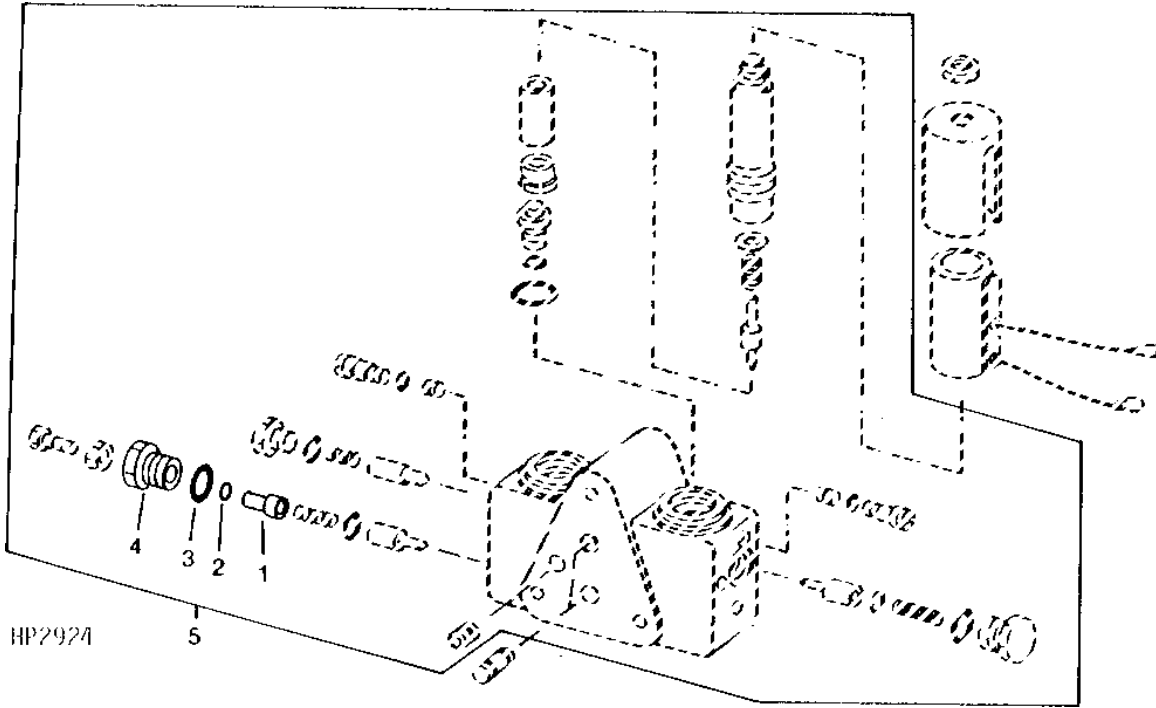
KEY	PART NO.	PART NAME	QTY	SERIAL NO.	REMARKS
1	A4655R	NUT	2		12.700 MM (1/2")
2	E62942	COVER	2		
3	AH124731	ELECTRICAL COIL	2		
4	SLEEVE	2		(B)
5	WASHER	2		(C)
6	E62089	SPRING	2		(C)
7	POPPET	2		(C)
8	ARMATURE	2		(B)
9	SOLENOID	2		(B)
10	ORIFICE	2		(C)
11	U40962	O-RING	2		(C)
12	U15980	O-RING	2		
13	HOUSING	1		(NOT SERVICED) (SUB AH131404)
14	ORIFICE	1		
15	O-RING	2		
16	AE38734	PLUG	2		
17	ORIFICE	1		
18	E66620	CHECK VALVE	1		(SUB E83620)
19	E66619	SPRING	1		
20	R28782	O-RING	1		
21	AN122518	FITTING	1		
22	H142183	POPPET	1		
23	P51212	O-RING	2		
24	E66618	SPRING	2		
25	STOP	1		(A)
26	U42902	RING	1		(A)
27	R26448	O-RING	2		(A)
28	CAP	1		(A)
29	14H850	NUT	1		1/4"
30	19H1914	CAP SCREW	1		1/4" X 1"
31	CAP	1		
32	POPPET	1		(NOT SERVICED) (SUB AH131404)
33	AH131326	SEAL	2		(WITH O-RING AND BACK-UP RING)
34	AH131405	SEAL	1		(WITH O-RING AND BACK-UP RING)
35	AH131404	VALVE	1		(SUB AH142450)
..	AE38021	KIT	1		ADJUSTABLE STOP (INCLUDES PARTS MARKED (A))
..	AH96359	KIT	1	-640400	ARMATURE (INCLUDES PARTS MARKED (B)) (SUB AH139240)
..	AH139240	KIT	1	640401-	ARMATURE INCLUDES PARTS MARKED (B)
..	AE37848	KIT	1		POPPET INCS PARTS MARKED (C)

1E16

FC: 5921

HYDRAULICS

SOLENOID CONTROL VALVE KIT FOR HEADER LIFT MODULE WITH ADJUSTABLE STOP
 HP2924 -UN-01JAN94



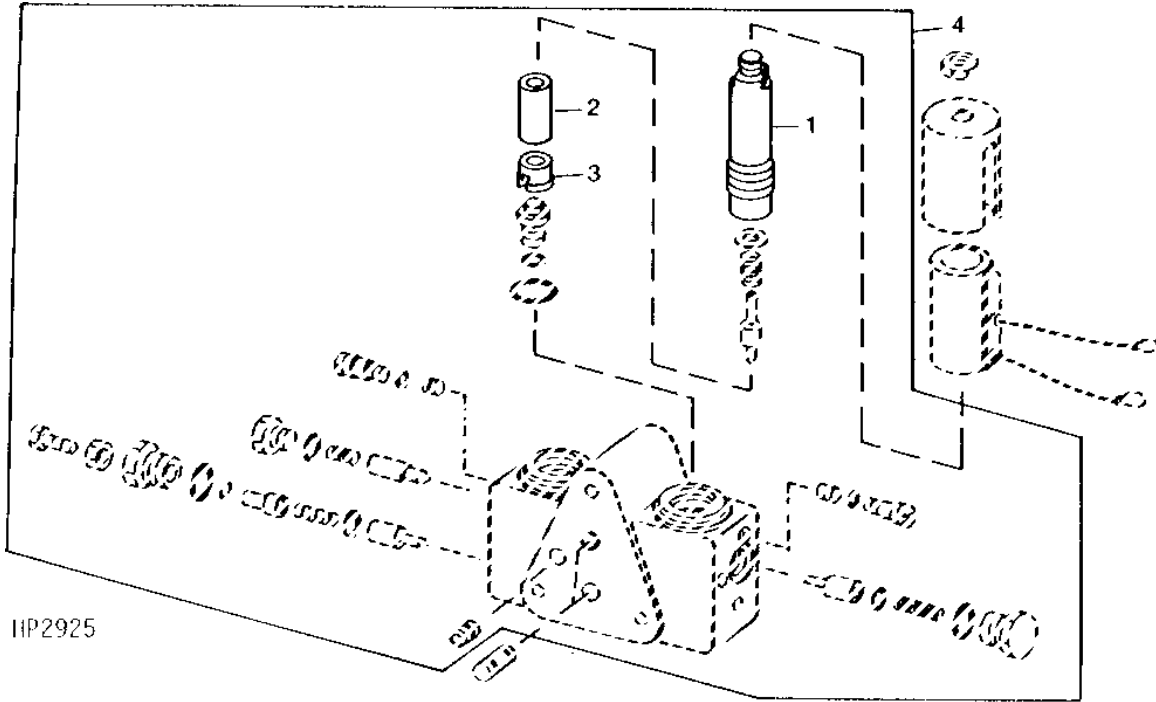
KEY	PART NO.	PART NAME	QTY	SERIAL NO.	REMARKS
1	STOP	1		
2	U42902	RING	1		
3	R26448	O-RING	1		
4	CAP	1		
5	AE38021	KIT	1	(ADJUSTABLE STOP)	

1E17

FC: 5921

HYDRAULICS

SOLENOID CONTROL VALVE KIT FOR HEADER LIFT MODULE ARMATURE
 HP2925 -UN-01JAN94



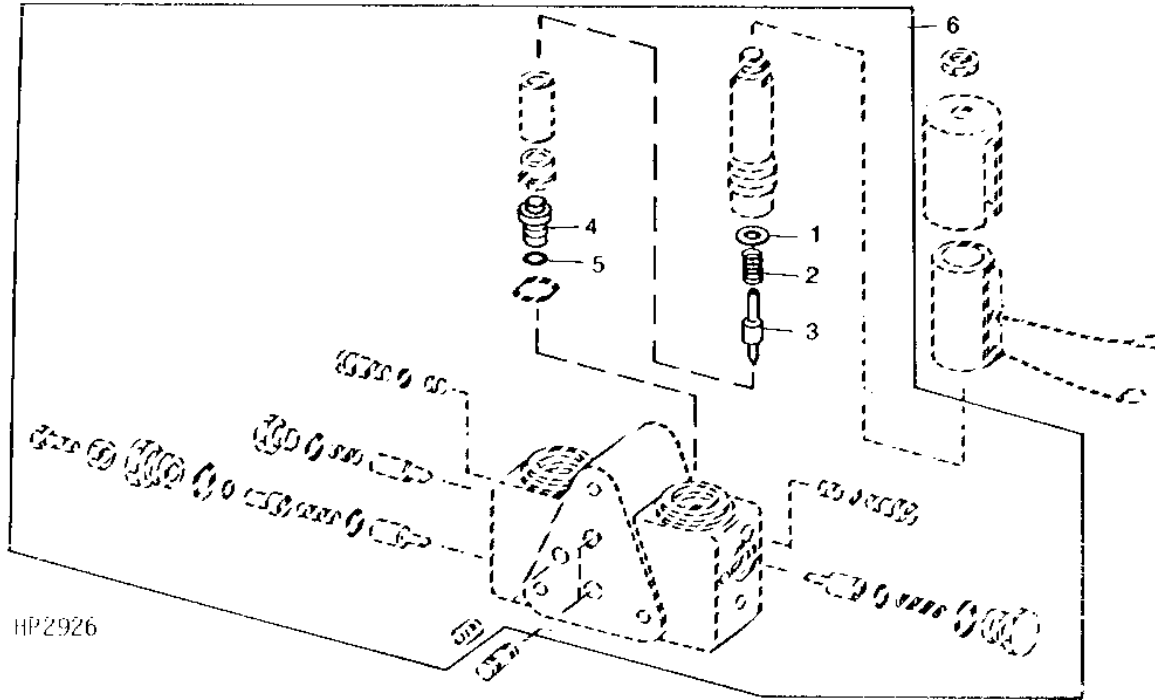
KEY	PART NO.	PART NAME	QTY	SERIAL NO.	REMARKS
1	SLEEVE	1		
2	ARMATURE	1		
3	SOLENOID	1		
4	AH96359	KIT	1	-640400	(ARMATURE) (SUB AH139240)
	AH139240	KIT	1	640401-	

1E18

FC: 5921

HYDRAULICS

SOLENOID CONTROL VALVE KIT FOR HEADER LIFT MODULE POPPET
 HP2926 -UN-01JAN94



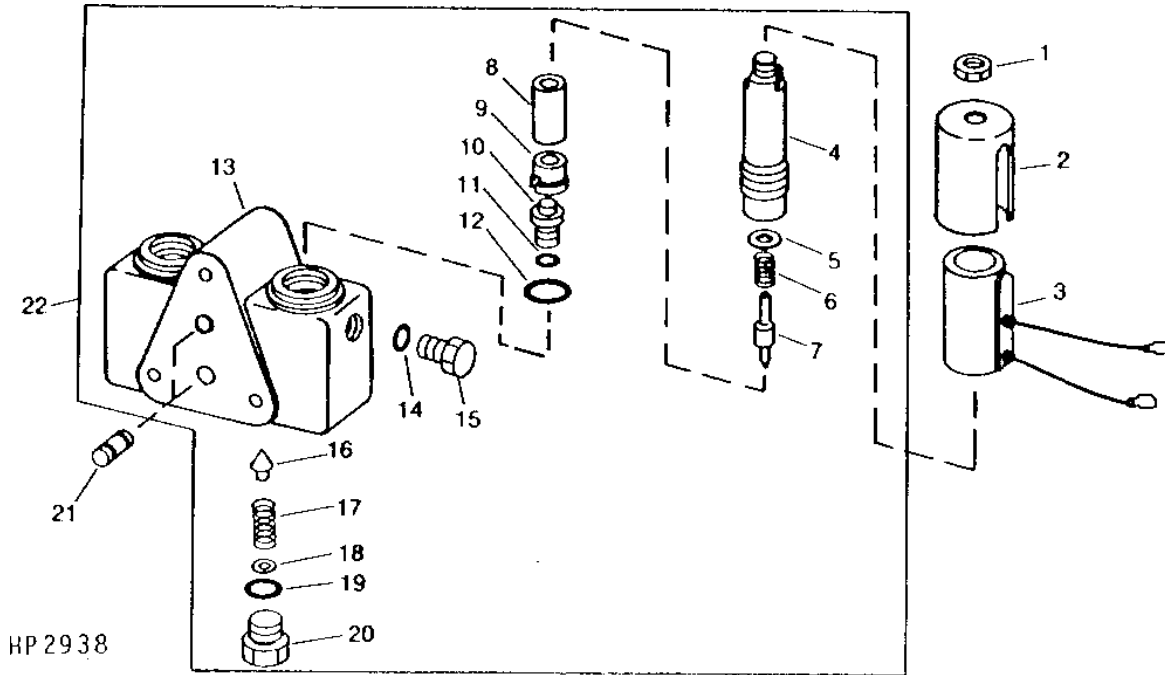
KEY	PART NO.	PART NAME	QTY	SERIAL NO.	REMARKS
1	WASHER	1		
2	E62089	SPRING	1		
3	POPPET	1		
4	ORIFICE	1		
5	U40962	O-RING	1		
6	AE37848	KIT	1		(POPPET) (SUB AE49777)

1E19

FC: 5921

HYDRAULICS

SOLENOID CONTROL VALVE FOR CYLINDER SPEED
HP2938 -UN-01JAN94



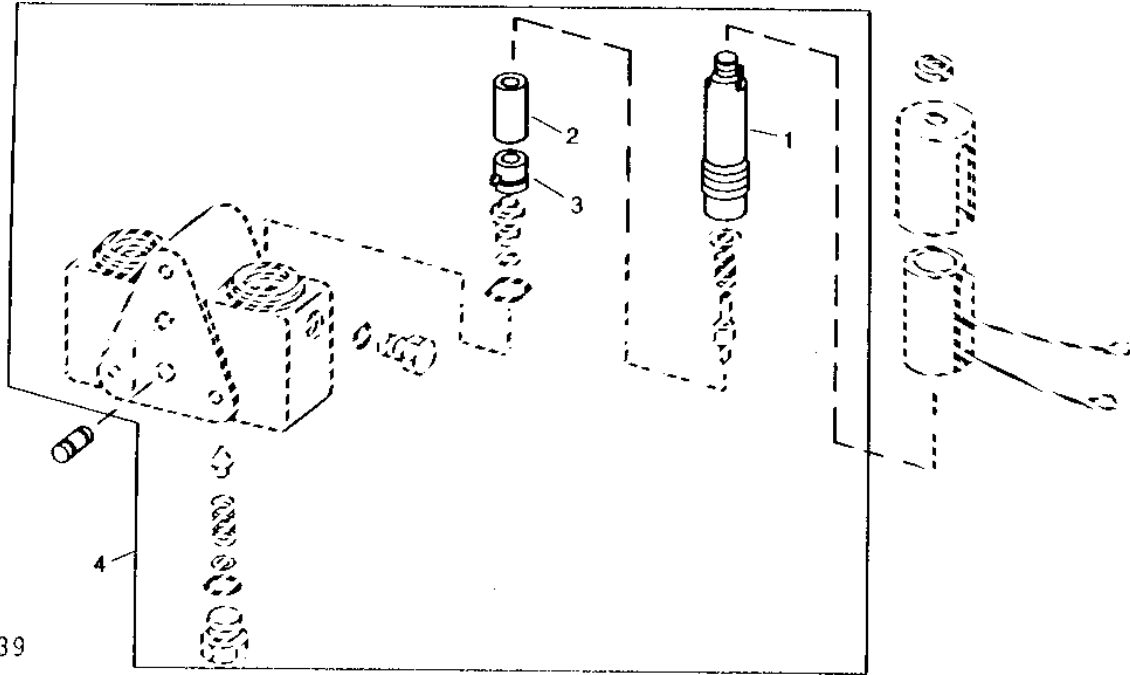
KEY	PART NO.	PART NAME	QTY	SERIAL NO.	REMARKS
1	A4655R	NUT	2		12.700 MM (1/2")
2	E62942	COVER	2		
3	AH124731	ELECTRICAL COIL	2		
4	SLEEVE	2		(A)
5	WASHER	2		(B)
6	E62089	SPRING	2		(B)
7	POPPET	2		(B)
8	ARMATURE	2		(A)
9	SOLENOID	2		(A)
10	ORIFICE	2		(B)
11	U40962	O-RING	2		(B)
12	U15980	O-RING	2		
13	HOUSING	2		(NOT SERVICED) (SUB AH137199)
14	R30903	O-RING	1		
15	K40994	FITTING	1		
16	POPPET	1		(C)
17	SPRING	1		(C)
18	SHIM	AR		(C)
19	R28782	O-RING	1		(C)
20	PLUG	1		(C)
21	AH131326	SEAL	2		(WITH O-RING AND BACKUP RING)
22	AH137199	VALVE	1	-AUG94	(LESS COILS AND CONNECTING TUBES) (SUB AH139062, E62917, H145052 AND 38H1160)
..	AH96359	KIT	2	-640400	ARMATURE (INCLUDES PARTS MARKED (A)) (SUB AH139240)
..	AH139240	KIT	2	640401-	ARMATURE INCLUDES PARTS MARKED (A)
..	AH131420	SEAT KIT	2		POPPET INCLUDES PARTS MARKED (B)
..	AH131421	SEAT KIT	1		RELEIF INCS PARTS MARKED (C)

1E20

FC: 5921

HYDRAULICS

SOLENOID CONTROL VALVE KIT FOR CYLINDER SPEED ARMATURE
 HP2939 -UN-01JAN94



HP 2939

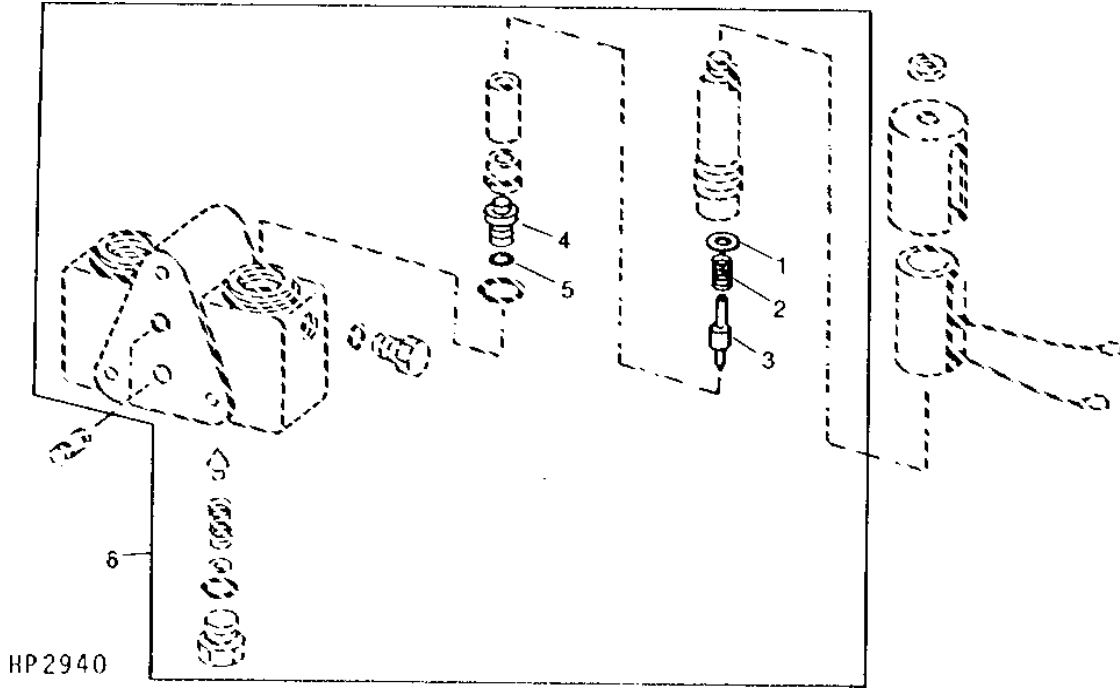
KEY	PART NO.	PART NAME	QTY	SERIAL NO.	REMARKS
1	SLEEVE	1		
2	ARMATURE	1		
3	SOLENOID	1		
4	AH96359	KIT	1	-640400	ARMATURE, (SUB AH139240)
	AH139240	KIT	1	640401-	

1E21

FC: 5921

HYDRAULICS

SOLENOID CONTROL VALVE KIT FOR CYLINDER SPEED POPPET
 HP2940 -UN-01JAN94



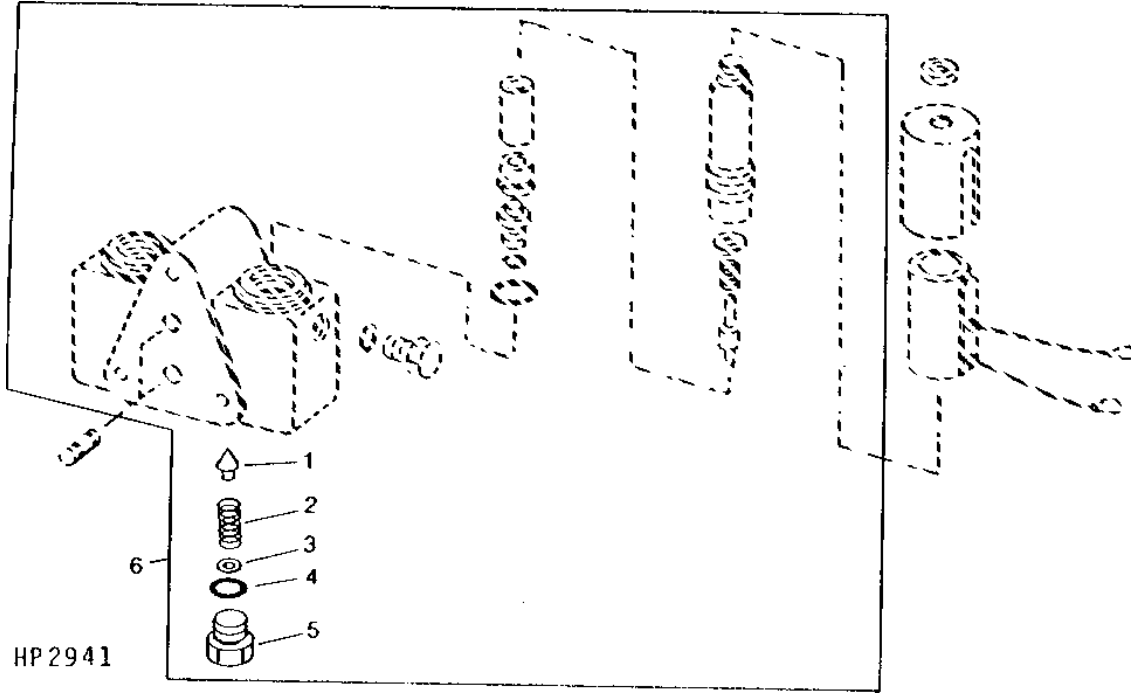
KEY	PART NO.	PART NAME	QTY	SERIAL NO.	REMARKS
1	WASHER	1		
2	E62089	SPRING	1		
3	POPPET	1		
4	ORIFICE	1		
5	U40962	O-RING	1		
6	AH131420	SEAT KIT	1		POPPET

1E22

FC: 5921

HYDRAULICS

SOLENOID CONTROL VALVE KIT FOR CYLINDER SPEED RELIEF
 HP2941 -UN-01JAN94



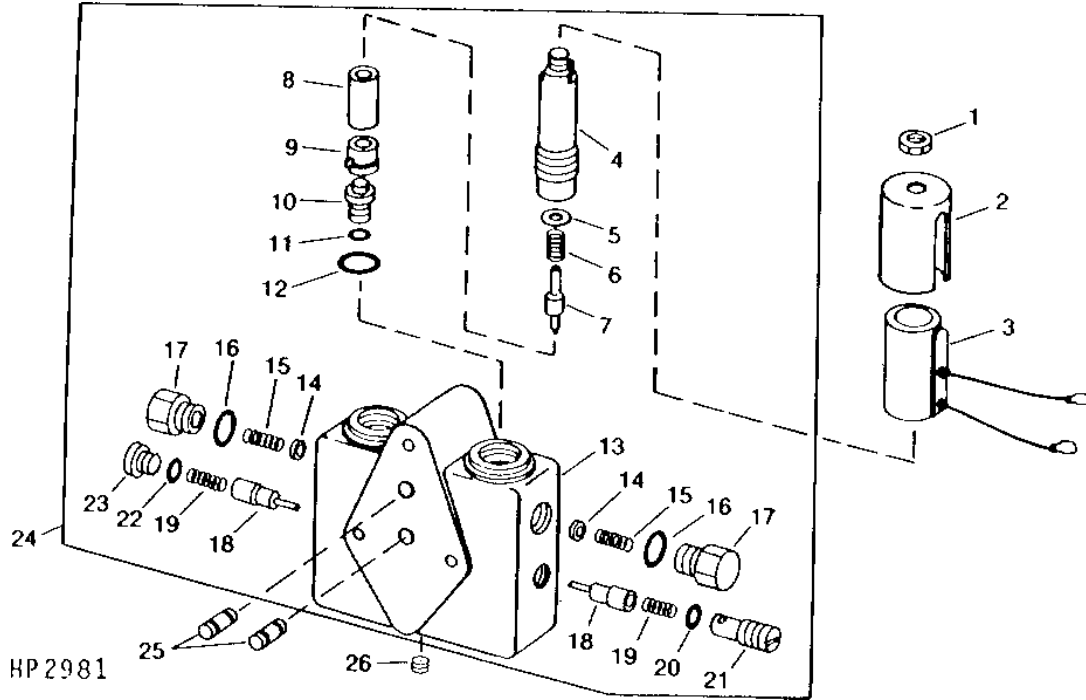
KEY	PART NO.	PART NAME	QTY	SERIAL NO.	REMARKS
1	POPPET	1		
2	SPRING	1		
3	SHIM	1		
4	R28782	O-RING	1		
5	PLUG	1		
6	AH131421	SEAT KIT	1	RELIEF	

1E23

FC: 5921

HYDRAULICS

SOLENOID CONTROL VALVE FOR AUGER SWING
HP2981 -UN-01JAN94



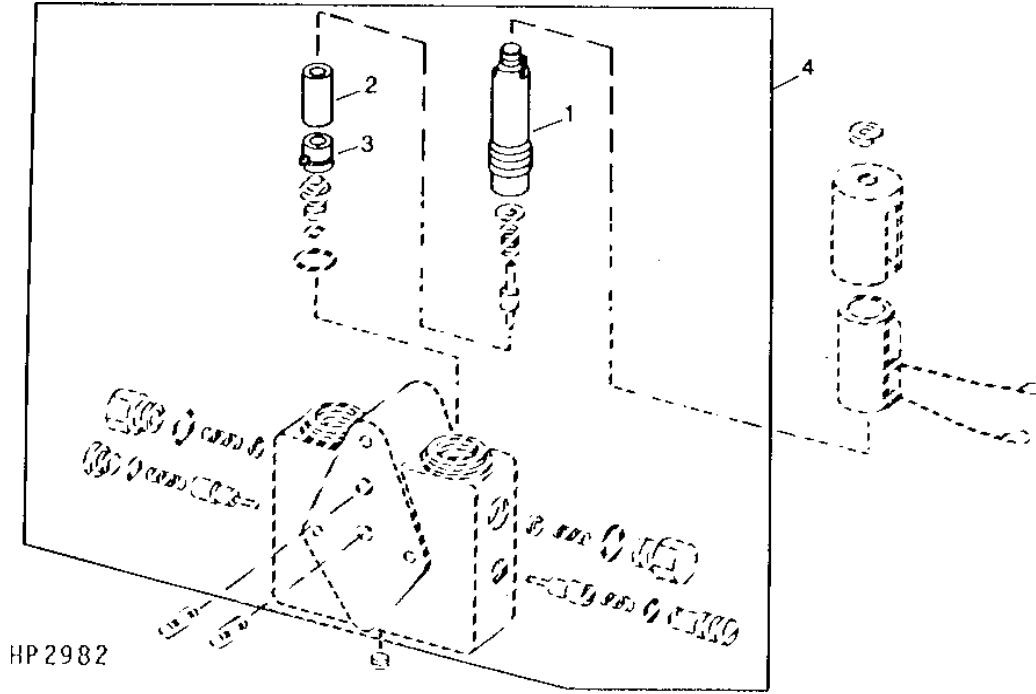
KEY	PART NO.	PART NAME	QTY	SERIAL NO.	REMARKS
1	A4655R	NUT	2		12.700 MM (1/2")
2	E62942	COVER	2		
3	AH124731	ELECTRICAL COIL	2		
4	SLEEVE	2		(A)
5	WASHER	2		(B)
6	E62089	SPRING	2		(B)
7	POPPET	2		(B)
8	ARMATURE	2		(A)
9	SOLENOID	2		(A)
10	ORIFICE	2		(B)
11	U40962	O-RING	2		(B)
12	U15980	O-RING	2		
13	HOUSING	1		(NOT SERVICED) (SUB AH131461)
14	E62094	WASHER	2		7.620 X 17.526 X 2.388 MM (0.300" X 0.690" X 3/32")
15	E62093	SPRING	2	-OCT92	(SUB AE49003)
	AE49003	KIT	2		
16	R26906	O-RING	2		
17	E62092	PIPE PLUG	2		
18	AH131460	CHECK VALVE	2		
19	SPRING	2		
20	U40745	O-RING	1		
21	CAP	1		
22	R26448	O-RING	1		
23	CAP	1		
24	AH131461	SOLENOID VALVE	1		(LESS COILS AND CONNECTING TUBES) (SUB AZ47075)
	AZ47075	VALVE	1		
25	AH131326	SEAL	2		(WITH O-RING AND BACK-UP RING)
26	H135776	ORIFICE	1		1.067 MM DIA.
..	AH96359	KIT	2	-640400	ARMATURE (INCLUDES PARTS MARKED (A)) (SUB AH139240)
..	AH139240	KIT	2	640401-	
..	AE37848	KIT	2		(SUB AE49777) INCLS. PARTS MARKED B

1E24

FC: 5921

HYDRAULICS

ARMATURE, SOLENOID CONTROL VALVE KIT FOR AUGER SWING
 HP2982 -UN-01JAN94



HP 2982

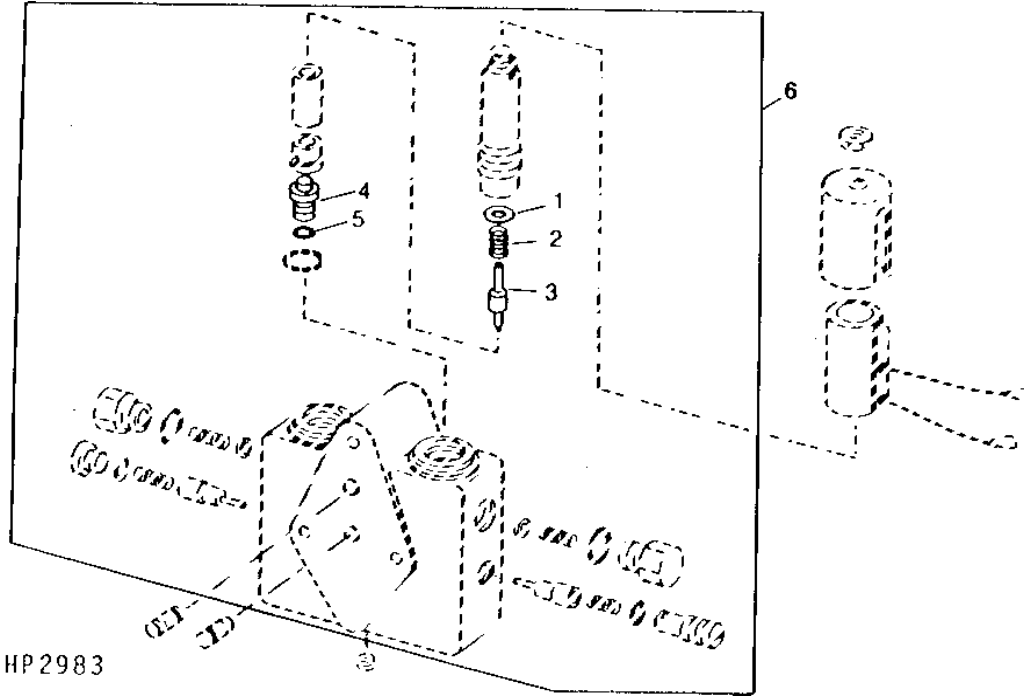
KEY	PART NO.	PART NAME	QTY	SERIAL NO.	REMARKS
1	SLEEVE	1		
2	ARMATURE	1		
3	SOLENOID	1		
4	AH96359	KIT	1	-640400	ARMATURE, (SUB AH139240)
	AH139240	KIT	1	640401-	

1E25

FC: 5921

HYDRAULICS

POPPET, SOLENOID CONTROL VALVE KIT FOR AUGER SWING
 HP2983 -UN-01JAN94



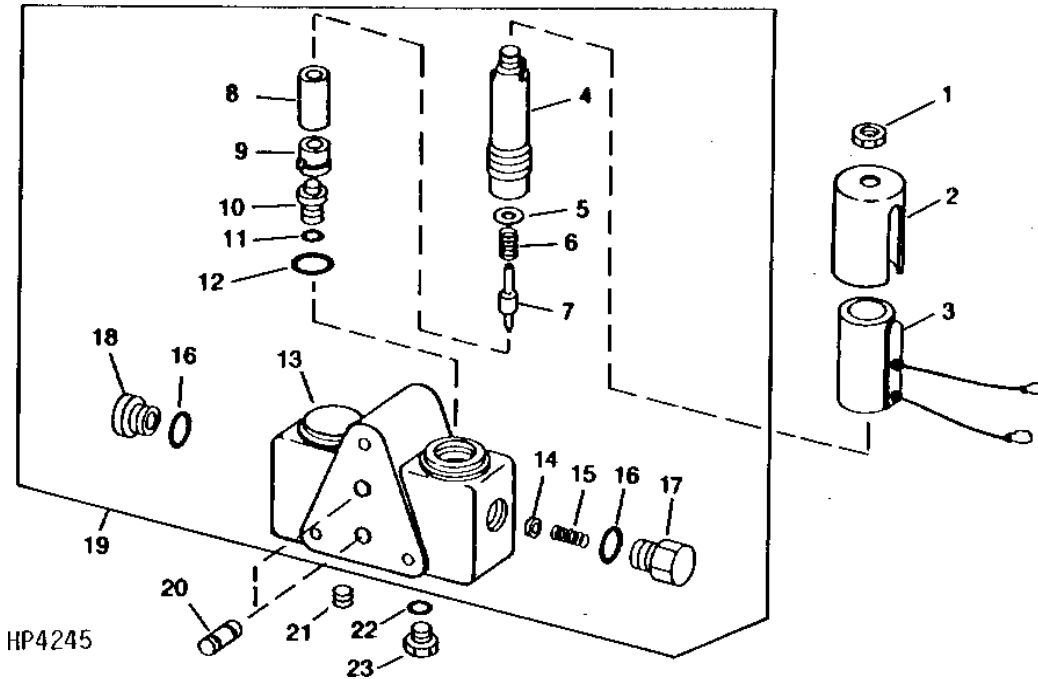
KEY	PART NO.	PART NAME	QTY	SERIAL NO.	REMARKS
1	WASHER	1		
2	E62089	SPRING	1		
3	POPPET	1		
4	ORIFICE	1		
5	U40962	O-RING	1		
6	AE37848	KIT	1		POPPET, (SUB AE49777)

1F1

FC: 5921

HYDRAULICS

SOLENOID CONTROL VALVE FOR GRAIN TANK UNLOADING
HP4245 -UN-01JAN94



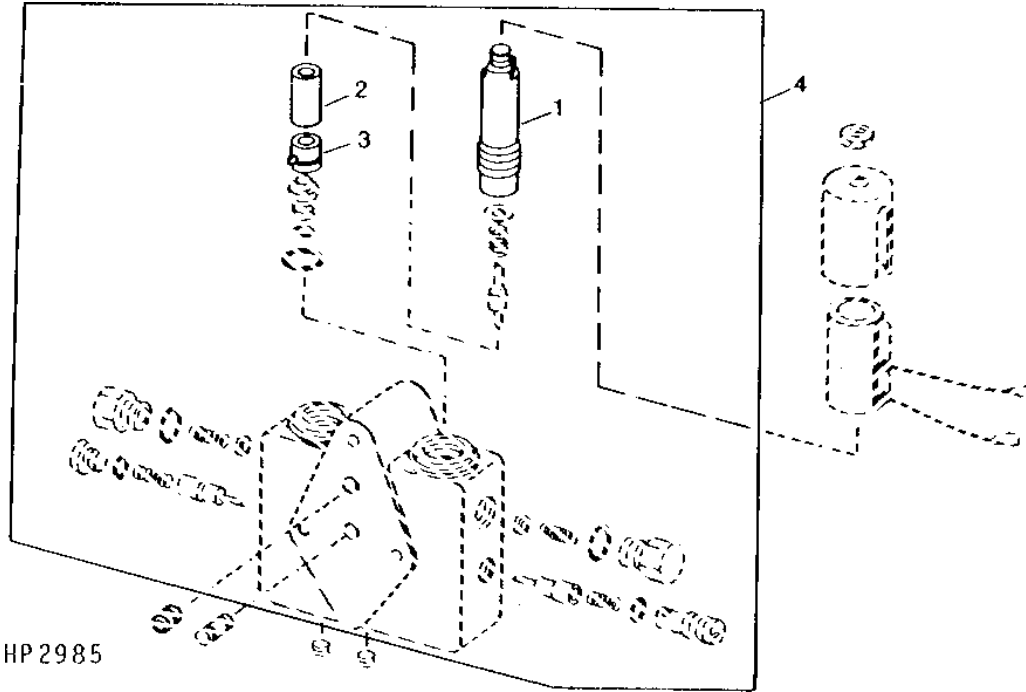
KEY	PART NO.	PART NAME	QTY	SERIAL NO.	REMARKS
1	A4655R	NUT	1		12.700 MM (1/2")
2	E62942	COVER	1		
3	AH124731	ELECTRICAL COIL	1		
4	SLEEVE	1		(A)
5	WASHER	1		(B)
6	E62089	SPRING	1		(B)
7	POPPET	1		(B)
8	ARMATURE	1		(A)
9	SOLENOID	1		(A)
10	ORIFICE	1		(B)
11	U40962	O-RING	1		(B)
12	U15980	O-RING	1		(B)
13	HOUSING	1		(NOT SERVICED) (SUB AH131461) (SUB AH137200)
14	E62094	WASHER	1		7.620 X 17.526 X 2.388 MM (0.300" X 0.690" X 3/32")
15	SPRING	1		
16	R26906	O-RING	2		
17	E62092	PIPE PLUG	1		
18	PLUG	1		
19	AH137200	VALVE	1		(LESS COILS AND CONNECTING TUBES)
20	AH134733	SEAL	1		(WITH O-RING AND BACK-UP RING)
21	H135776	ORIFICE	1		1.067 MM DIA.
22	R26375	O-RING	1		
23	R39112	FITTING	1		
..	AH96359	KIT	1	-640400	ARMATURE (INCLUDES PARTS MARKED (A)) (SUB AH139240)
..	AH139240	KIT	1	640401-	INCLS PARTS MARKED (A)
..	AE37848	KIT	1		(SUB AE49777) INCLS PARTS MARKED (B)

1F2

FC: 5921

HYDRAULICS

ARMATURE, SOLENOID CONTROL VALVE KIT FOR GRAIN TANK UNLOADING
 HP2985 -UN-01JAN94



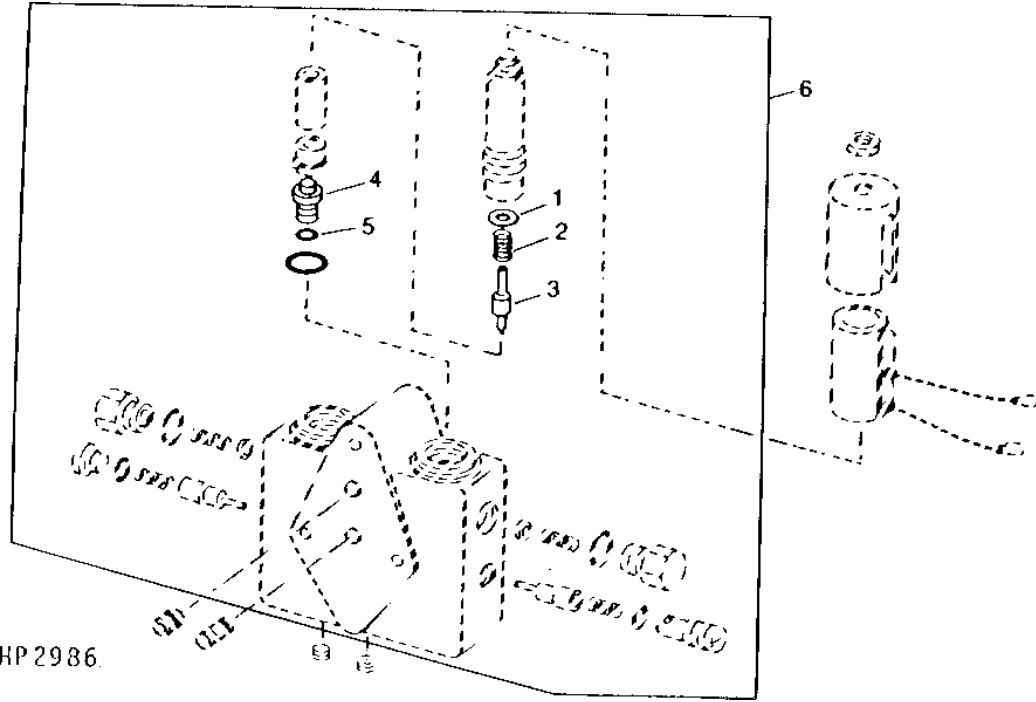
KEY	PART NO.	PART NAME	QTY	SERIAL NO.	REMARKS
1	SLEEVE	1		
2	ARMATURE	1		
3	SOLENOID	1		
4	AH96359	KIT	1	-640400	ARMATURE, (SUB AH139240)
	AH139240	KIT	1	640401-	

1F3

FC: 5921

HYDRAULICS

POPPET, SOLENOID CONTROL VALVE KIT FOR GRAIN TANK UNLOADING
 HP2986 -UN-01JAN94



KEY	PART NO.	PART NAME	QTY	SERIAL NO.	REMARKS
1	WASHER	1		
2	E62089	SPRING	1		
3	POPPET	1		
4	ORIFICE	1		
5	U40962	O-RING	1		
6	AE37848	KIT	1		POPPET, (SUB AE49777)

FC: 0000

HYDRAULICS

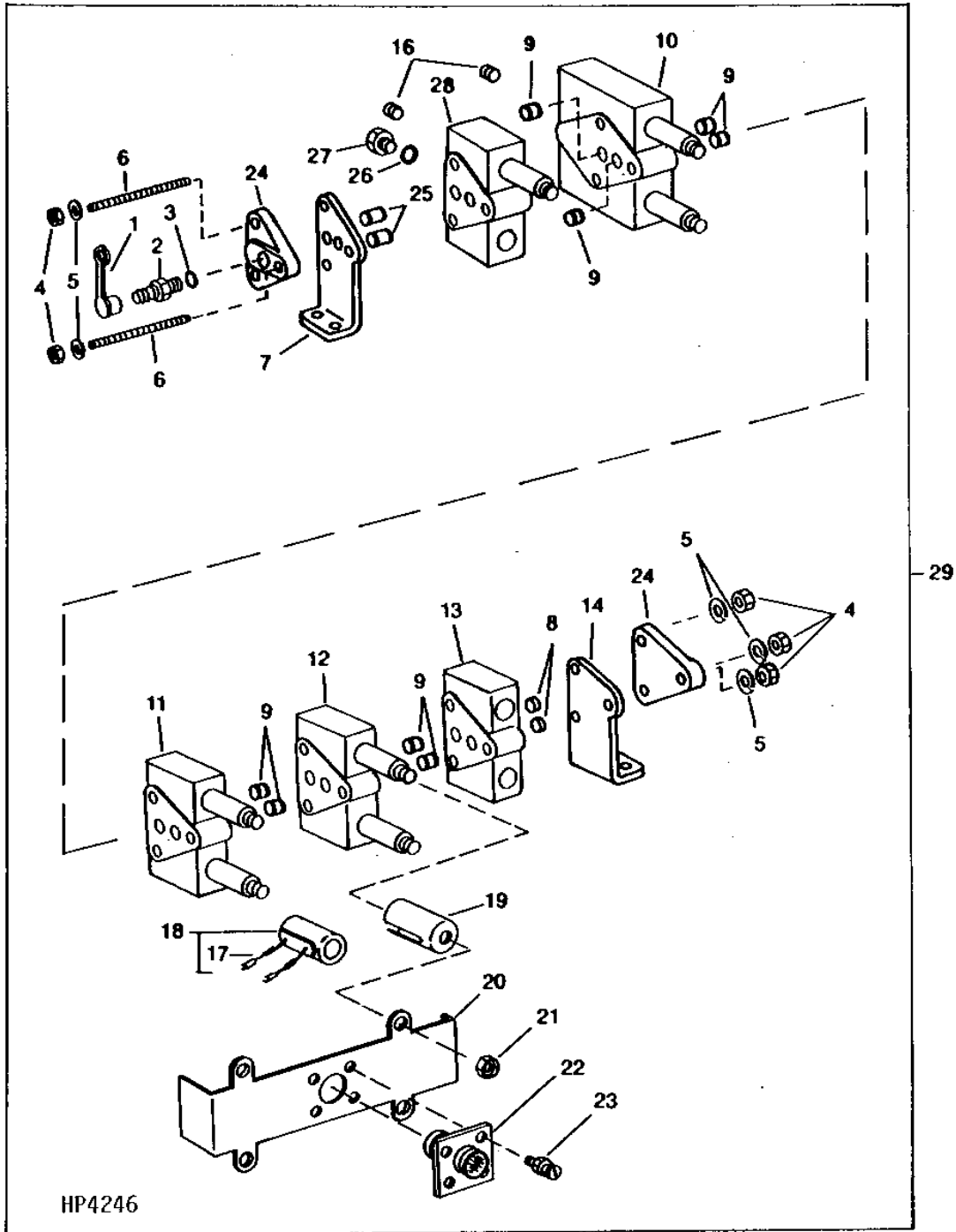
MEMORANDA

1F4

FC: 5921

HYDRAULICS

SOLENOID CONTROL VALVE MODULE ASSEMBLY AND MOUNTINGS
HP4246 -UN-01JAN94



1F5

FC: 5921

HYDRAULICS

SOLENOID CONTROL VALVE MODULE ASSEMBLY AND MOUNTINGS - CONTINUED

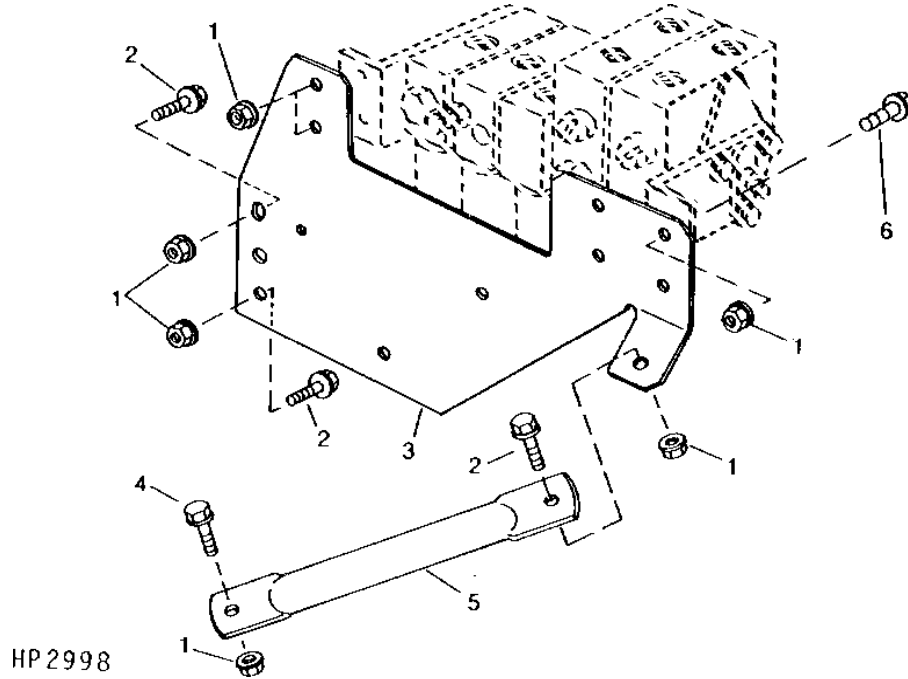
KEY	PART NO.	PART NAME	QTY	SERIAL NO.	REMARKS
1	R77175	COVER	1		
2	AH125760	HYD. QUICK-CONNECT COUPLER	1		
3	R26448	O-RING	1		
4	14H786	NUT	6	1/4"	
5	12H297	LOCK WASHER	6	1/4"	
6	E62892	STUD	3	1/4" X 11-3/4" 1/4" X 11-3/4"	(CUT TO LENGTH)
7	H139513	BRACKET	1		
8	AH131405	SEAL	2		
9	AH131326	SEAL	8		(WITH 5 MODULES-USE 9; WITH 4 MODULES-USE 7)
10	AH131461	SOLENOID VALVE	1		AUGER SWING, (SUB AZ47075)
	AZ47075	VALVE	1		
11	AH137199	VALVE	1		CYLINDER SPEED, (SUB AH139062, E62917, H145052 AND 38H1309)
	AH139062	VALVE	1		
12	AH131404	VALVE	1		(HEADER LIFT) (SUB AH142450)
13	AH137198	VALVE	1		VALVE PORT
14	H139512	BRACKET	1		
16	H135776	ORIFICE	2		1.06MM DIA.
17	R77464	PIN CONTACT	AR		(PACKAGE OF 50)
18	AH124731	ELECTRICAL COIL	7		(WITH 5 MODULES-USE 9; WITH 4 MODULES-USE 7)
19	E62942	COVER	7		(WITH 5 MODULES-USE 9; WITH 4 MODULES-USE 7)
20	H135898	COVER	1		
21	A4655R	NUT	7		(WITH 5 MODULES-USE 9; WITH 4 MODULES-USE 7)
22	57M7199	PIN CONTACT	1		(24 WAY)
23	21H1290	SCREW	4		0.138" X 1/2"
	14H1026	NUT	4		0.138"
24	H139515	MANIFOLD	2		
25	AH134733	SEAL	2		
26	R26375	O-RING	1		
27	R39112	FITTING	1		
28	AH137200	VALVE	1		UNLOADING AUGER ENGAGE
29	AH200250	VALVE	1		(SUB AH139061) (5 MODULES) REMANUFACTURED
	AH139061	VALVE STACK	1		

1F6

FC: 5921

HYDRAULICS

SOLENOID CONTROL VALVE BRACKETS
HP2998 -UN-01JAN94



KEY	PART NO.	PART NAME	QTY	SERIAL NO.	REMARKS
1	14M7298	FLANGE NUT	8	M8	
2	19M7866	SCREW	3	M8 X 20	
3	H132853	BRACKET	1		
4	19M7803	SCREW	1	M8 X 70	
5	H132837	BRACE	1	(SUB H146535)	
6	19M7897	SCREW	4	M8 X 35	

FC: 0000

HYDRAULICS

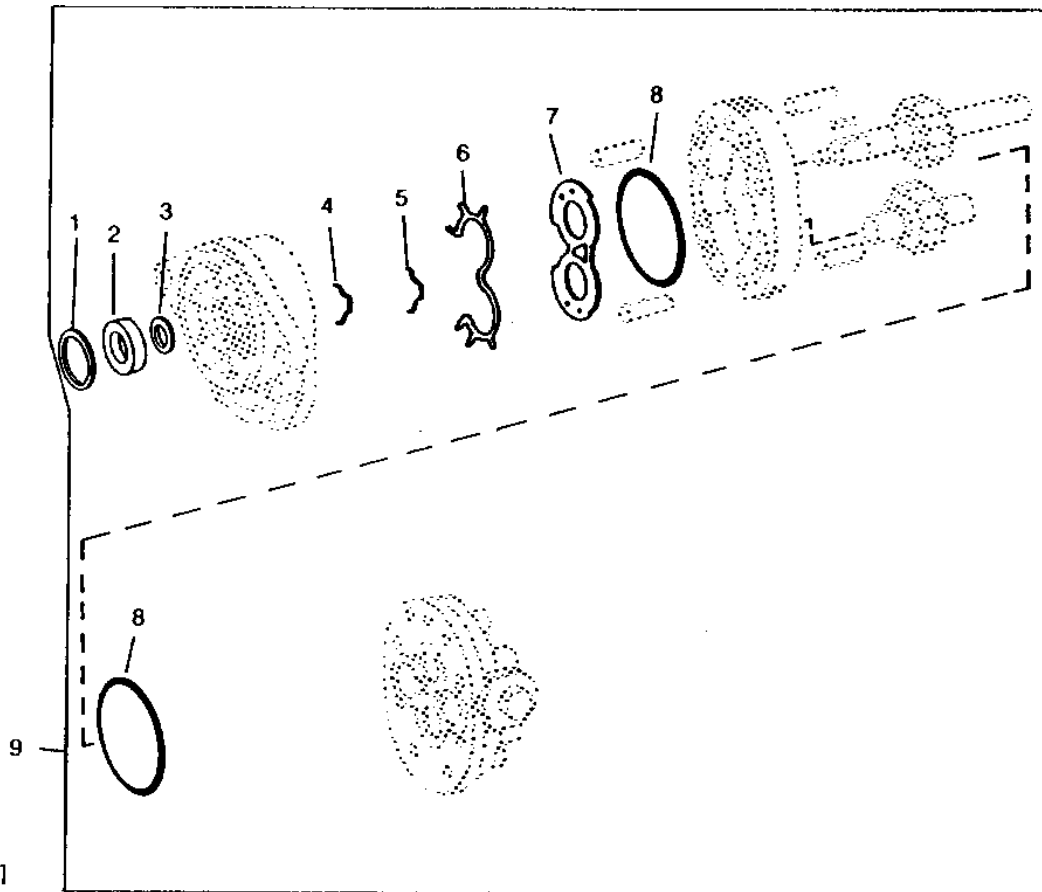
MEMORANDA

1F7

FC: 5912

HYDRAULICS

REEL HYDRAULIC PUMP SEAL KIT
HP2951 -UN-01JAN94



HP2951

1F8

FC: 5912

HYDRAULICS

REEL HYDRAULIC PUMP SEAL KIT - CONTINUED

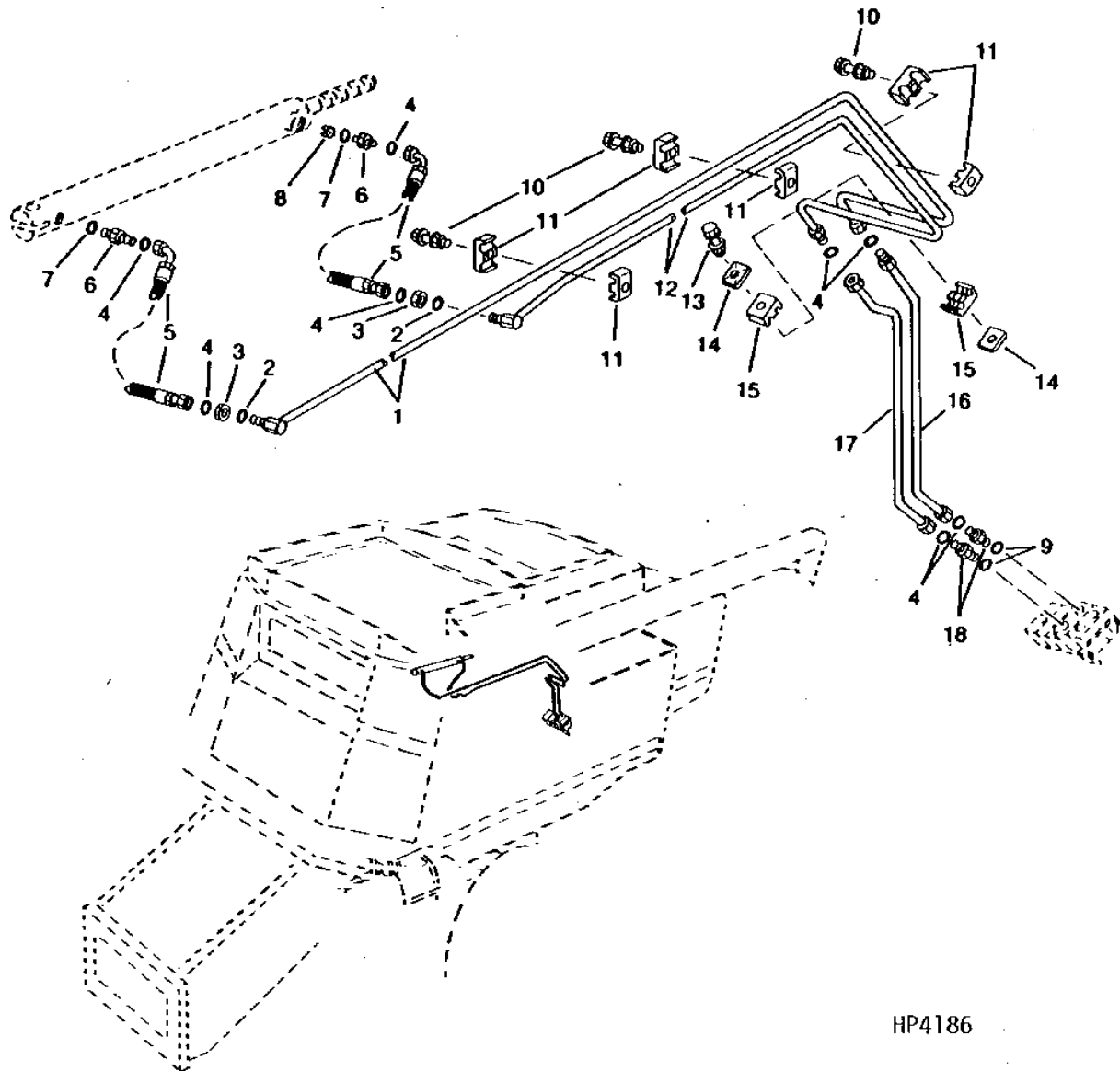
KEY	PART NO.	PART NAME	QTY	SERIAL NO.	REMARKS
1	M41029	SNAP RING	1		
2	AH131842	SEAL	1		
3	M48869	WASHER	1		
4	SEAL	1		(KIT AH131176)
5	GASKET	1		(KIT AH131176)
6	GASKET	1		(KIT AH131176)
7	WEAR PLATE	1		(KIT AH131176)
8	H80821	O-RING	2		
9	AH131176	SEAL KIT	1		

1F9

FC: 5933

HYDRAULICS

UNLOADING AUGER SWING CYLINDER LINES AND HOSES
HP4186 -UN-01JAN94



HP4186

1F10

FC: 5933

HYDRAULICS

UNLOADING AUGER SWING CYLINDER LINES AND HOSES - CONTINUED

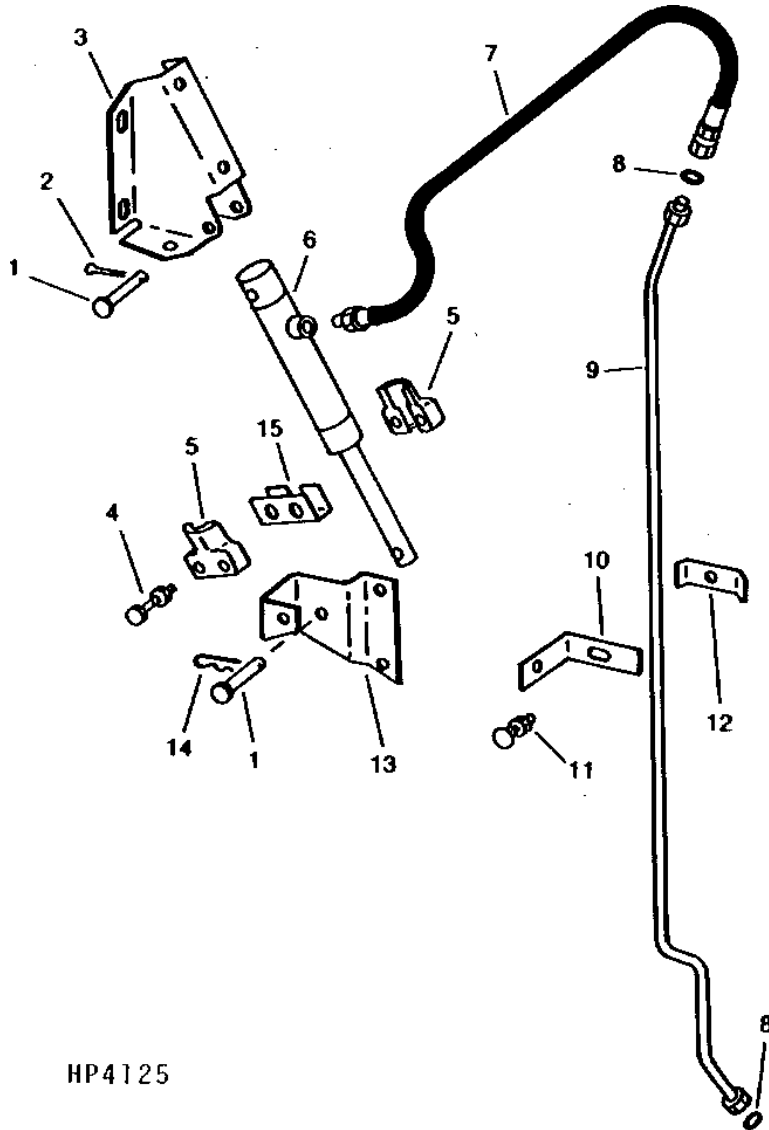
KEY	PART NO.	PART NAME	QTY	SERIAL NO.	REMARKS
1	AH200540	OIL TUBE	1		EXTEND
2	24M7114	WASHER	2		19 X 30 X 4 MM
3	T81029	NUT	2		17.475 MM (11/16")
4	T77613	O-RING	8		
5	AH130581	HYDRAULIC HOSE	2		11/16" X 780 MM (30-3/4") X 11/16"
6	38H1160	ADAPTER	2		
7	R26448	O-RING	2		
8	H133470	ORIFICE	1		
9	R26375	O-RING	2		
10	19M7868	SCREW	3		M8 X 30
	14M7298	FLANGE NUT	3		M8
11	H108745	CLAMP	6		
12	AH200539	OIL TUBE	1		(RETRACT)
13	19M8291	SCREW	1		M8 X 35
	14M7298	FLANGE NUT	1		M8
14	H121163	COVER	2		
15	H128515	CLAMP	2		
16	AH128855	HYDRAULIC LINE	1		(EXTEND)
17	AH200538	OIL TUBE	1		(RETRACT)
18	38H1171	ADAPTER	2		

1F11

FC: 5537

HYDRAULICS

UNLOADING AUGER ENGAGE SYSTEM
HP4125 -UN-01JAN94



HP4125

1F12

FC: 5537

HYDRAULICS

UNLOADING AUGER ENGAGE SYSTEM - CONTINUED

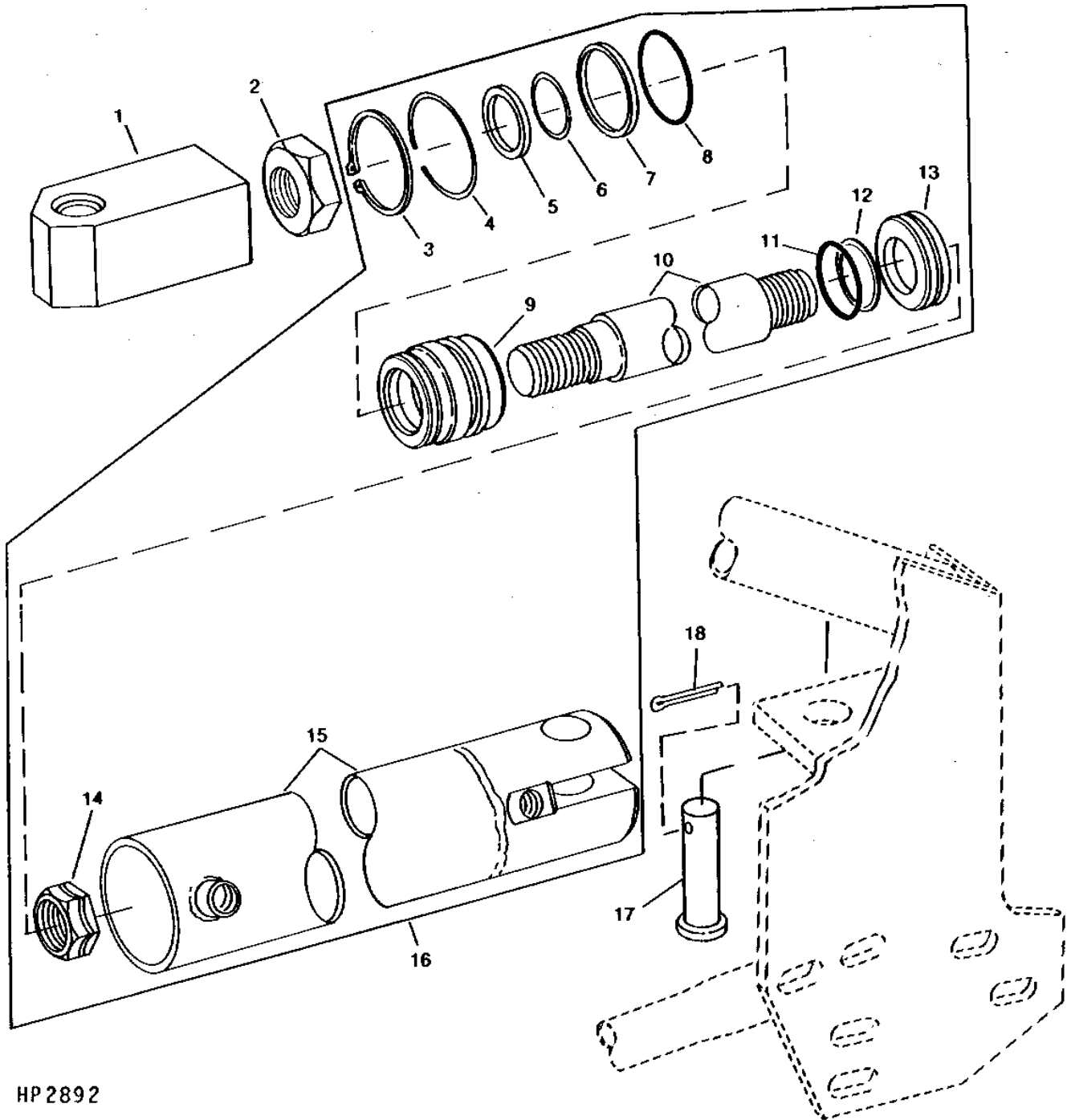
KEY	PART NO.	PART NAME	QTY	SERIAL NO.	REMARKS
1	H98765	PIN	2		
2	J16931	SPRING LOCKING PIN	1		
3	H133690	BRACKET	1		
4	19M7298	CAP SCREW	2		M8 X 35
	14M7298	FLANGE NUT	2		M8
5	H200800	CLAMP	2		
6	AH200378	CYLINDER	1		
7	AH200553	HYDRAULIC HOSE	1		
8	T77613	O-RING	2		
9	AH200543	OIL TUBE	1		
10	AH200542	COVER	1		
11	03H1495	BOLT	1		3/8" X 1-1/2"
	H99923	LOCK NUT	1		9.525 MM (3/8")
12	AH200415	CLIP	1		
13	H129588	BRACKET	1		
14	11M7059	COTTER PIN	1		3.200 X 20 MM
15	H200800	CLAMP	1		

1F13

FC: 5933

HYDRAULICS

UNLOADING AUGER SWING CYLINDER AND MOUNTING
HP2892 -UN-01JAN94



HP 2892

1F14

FC: 5933

HYDRAULICS

UNLOADING AUGER SWING CYLINDER AND MOUNTING - CONTINUED

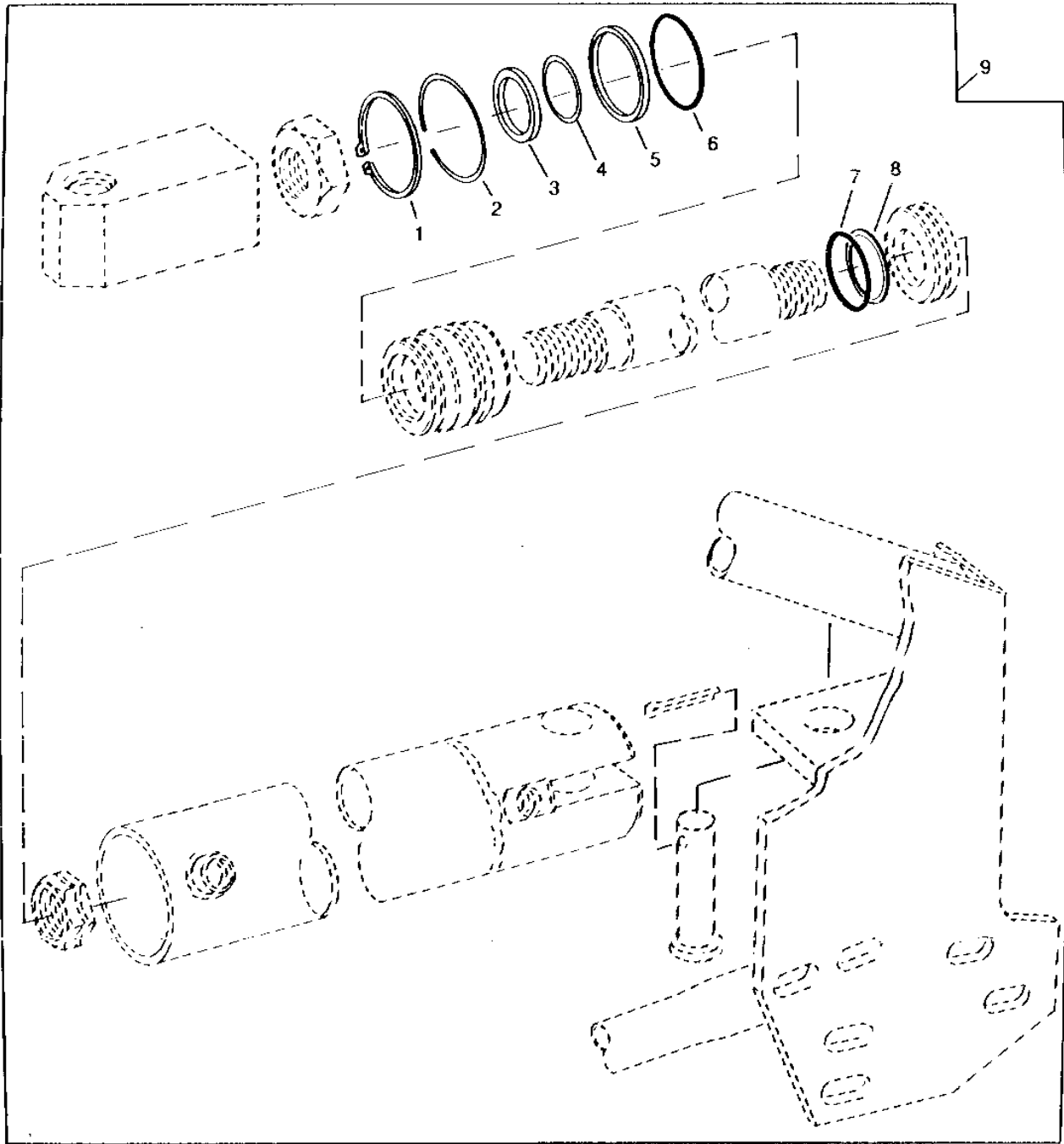
KEY	PART NO.	PART NAME	QTY	SERIAL NO.	REMARKS
1	H137225	END	1		
2	W13288	NUT	1		
3	RING	1	(KIT AH129245)	
4	SNAP RING	1	(KIT AH129245)	
5	SEAL	1	(KIT AH129245)	
6	SEAL	1	(KIT AH129245)	
7	WASHER	1	(KIT AH129245)	
8	O-RING	1	(KIT AH129245)	
9	BEARING	1		
10	H135154	ROD	1		
11	O-RING	1	(KIT AH129245)	
12	RING	1	(KIT AH129245)	
13	PISTON	1		
14	LOCK NUT	1		
15	HYDRAULIC CYLINDER BARREL	1		
16	AH132210	HYDRAULIC CYLINDER	1		
17	R56930	PIN	1		
18	11H218	COTTER PIN	1	3/16" X 1-1/2"	

1F15

FC: 5933

HYDRAULICS

UNLOADING AUGER SWING CYLINDER KIT
HP2893 -UN-01JAN94



HP 2893

1F16

FC: 5933

HYDRAULICS

UNLOADING AUGER SWING CYLINDER KIT - CONTINUED

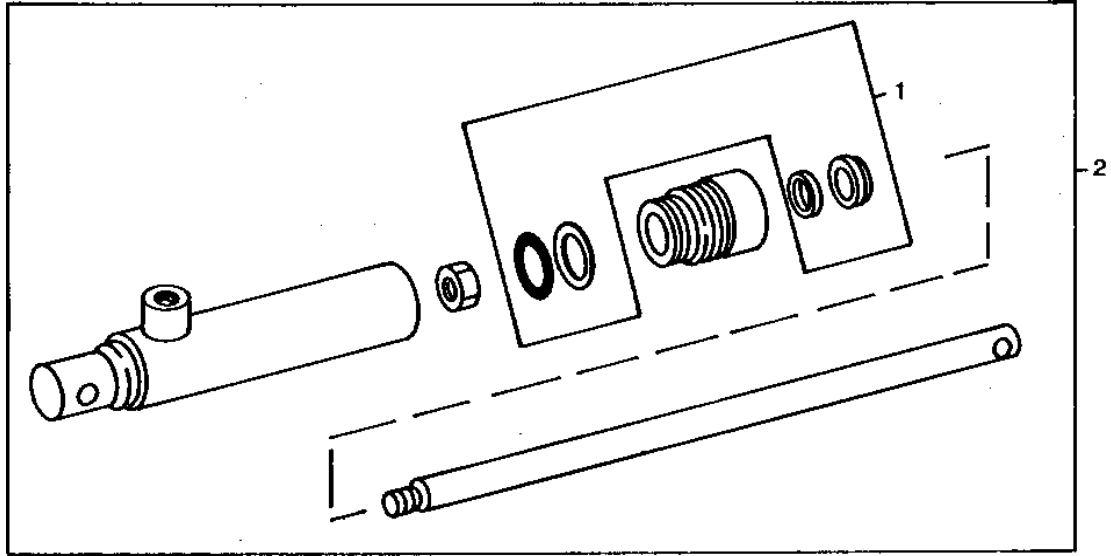
KEY	PART NO.	PART NAME	QTY	SERIAL NO.	REMARKS
1	RING	1		
2	SNAP RING	1		
3	SEAL	1		
4	SEAL	1		
5	WASHER	1		
6	O-RING	1		
7	O-RING	1		
8	RING	1		
9	AH129245	HYDRAULIC CYLINDER KIT	1		

1F17

FC: 5933

HYDRAULICS

BELT TIGHTENING CYLINDER
HP4087 -UN-01JAN94



HP4087

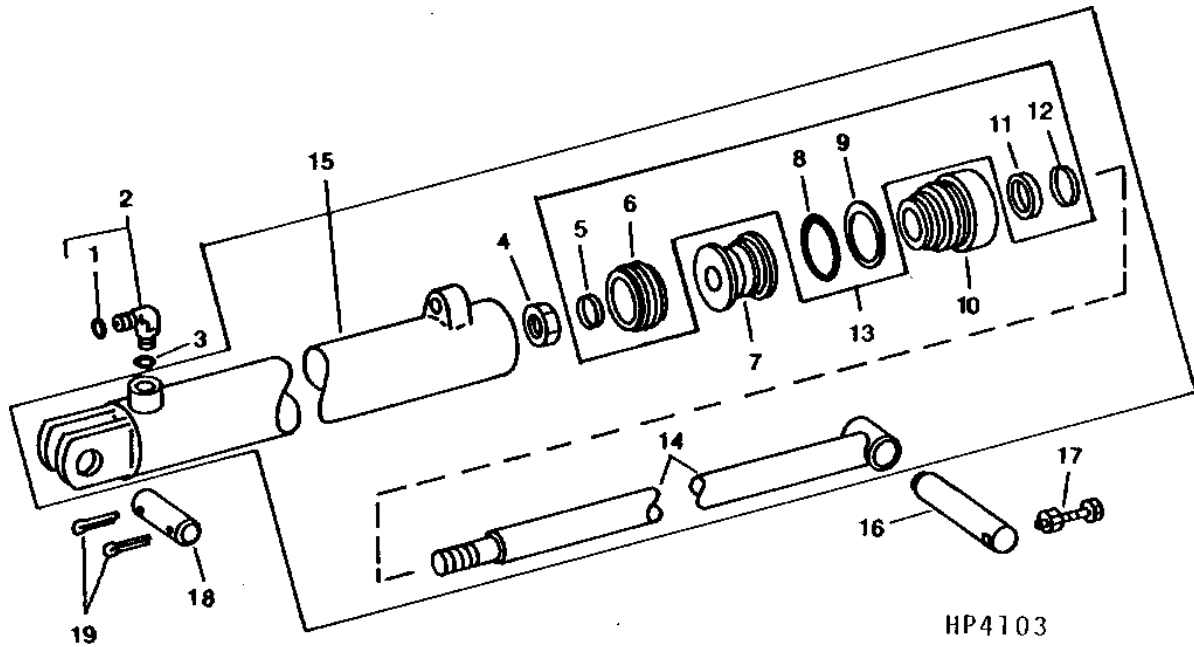
KEY	PART NO.	PART NAME	QTY	SERIAL NO.	REMARKS
1	AH200808	SEAL KIT	1		
2	AH200378	CYLINDER	1		

1F18

FC: 5933

HYDRAULICS

HITCH TUBE HYDRAULIC CYLINDER
HP4103 -UN-01JAN94



HP4103

KEY	PART NO.	PART NAME	QTY	SERIAL NO.	REMARKS
1	T77613	O-RING	1		
2	38H1004	ELBOW FITTING	1		
3	T77613	O-RING	1		
4	N130666	LOCK NUT	1		25.400 MM (1") (SUB MG514101)
5	O-RING	1		
6	SEAL	1		
7	PISTON	1		
8	O-RING	1		
9	SEAL	1		
10	AH200807	PLATE	1		
11	WASHER	1		
12	SEAL	1		
13	AH200806	KIT	1		
14	AH200775	ROD	1		
15	AH200017	CYLINDER	1		
16	N240944	PIN	1		31.750 X 168.910 MM (1-1/4" X 6.650")
17	19H1913	CAP SCREW	1		5/16" X 2-1/4"
	T16464	LOCK NUT	1		7.925 MM (5/16")
18	U10111	PIN	1		31.750 X 91.948 MM (1-1/4" X 3.620")

FC: 0000

HYDRAULICS

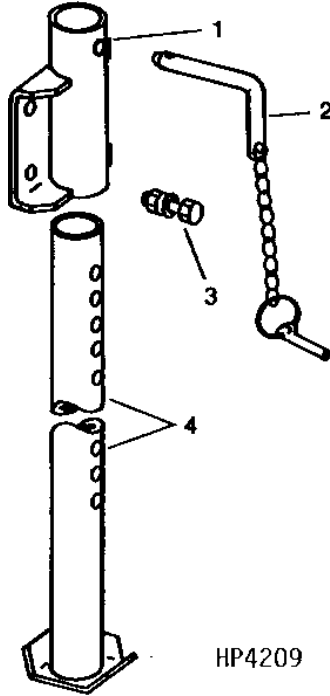
MEMORANDA

1F20

FC: 5657

SEPARATOR SHELL

REAR JACKSTAND AND TUBE SUPPORT
 HP4209 -UN-01JAN94



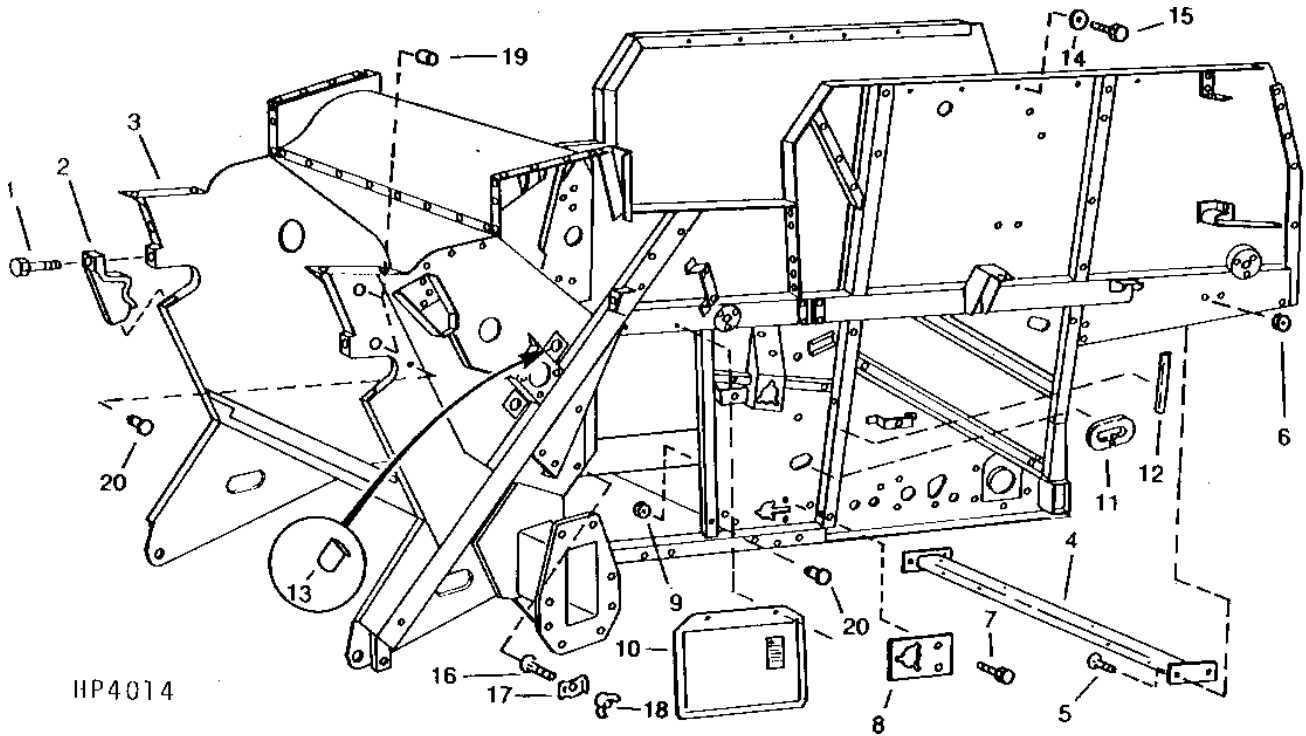
KEY	PART NO.	PART NAME	QTY	SERIAL NO.	REMARKS
1	AH200126	BRACKET	1		
2	AH93745	PIN	1	(SUB AC14488)	
3	19H1732	CAP SCREW	4	3/8" X 1-1/4"	
	12H304	LOCK WASHER	4	3/8"	
	14H812	NUT	4	3/8"	
4	AH200123	STAND	1		

1F21

FC: 5653

SEPARATOR SHELL

SEPARATOR FRAME
HP4014 -UN-01JAN94



HP4014

1F22

FC: 5653

SEPARATOR SHELL

SEPARATOR FRAME- CONTINUED

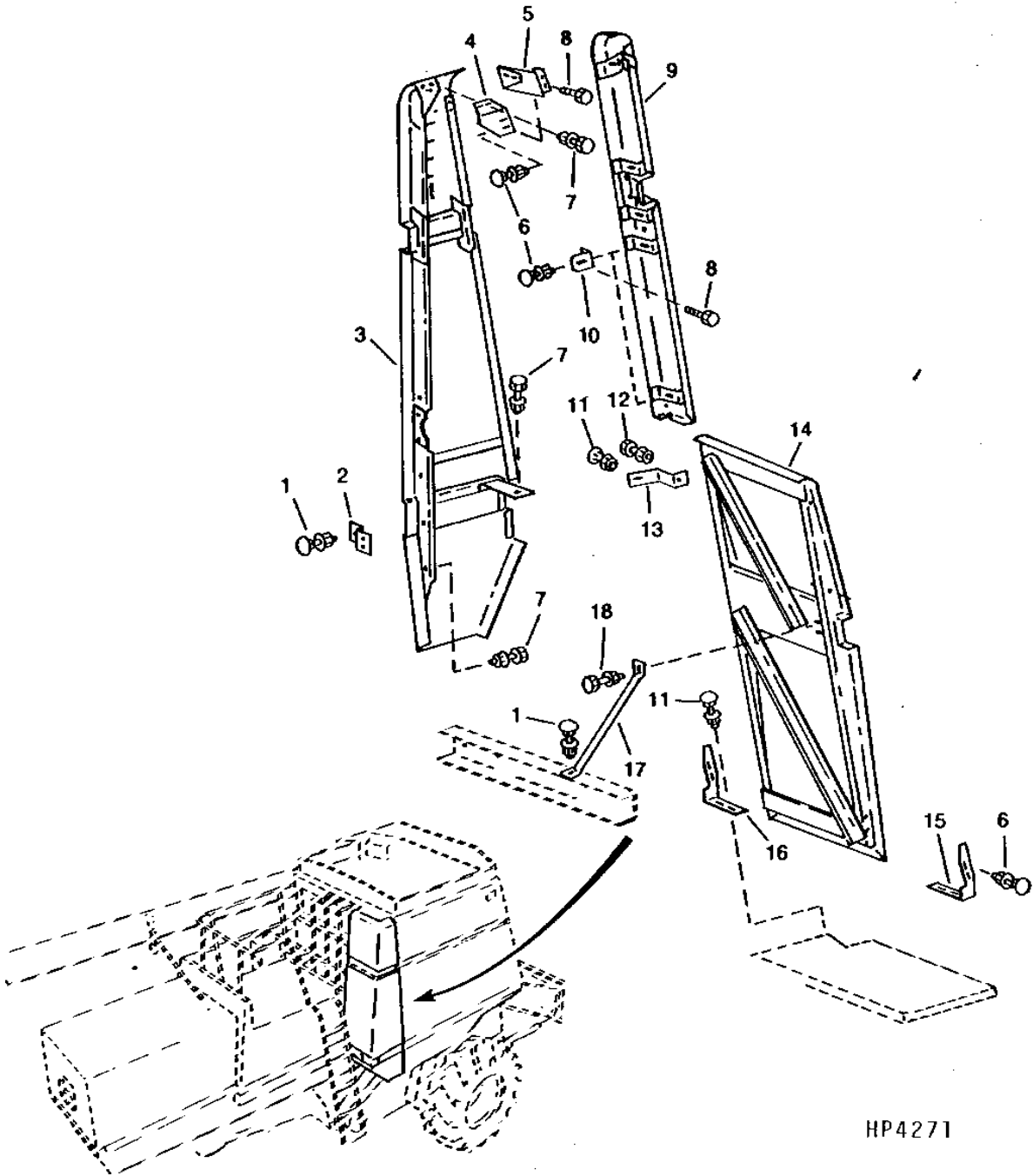
KEY	PART NO.	PART NAME	QTY	SERIAL NO.	REMARKS
1	19M7831	SCREW	2		
2	H134666	RETAINER	2		
3	FRAME	1		
4	AH132361	CROSSBAR	2		
5	03M7218	BOLT	8		
6	14M7296	FLANGE NUT	8		
7	19M7865	SCREW	2	M8 X 16	
8	H132539	COVER	1		
9	14M7298	FLANGE NUT	2	M8	
10	H130349	COVER	2		
11	SEAL	2		CUT TO LENGTH FROM AH133091 50 FT ROLL
12	SEAL	2		CUT TO LENGTH FROM AH133091 50 FT ROLL
13	H89544	DOOR	4		TO CHECK CYLINDER TO CONCAVE CLEARANCE
14	24M7178	WASHER	10		10.500 X 30 X 2.500 MM
15	37M7080	SCREW	10		M10 X 30, THRU ENGINE PLATFORM AND INTO FRAME SILL WELD NUT
16	03M7185	BOLT	4	M8 X 25	
17	P47159	CLAMP	4		
18	14M7020	WING NUT	4	M8	
19	H120379	SPACER	4		
20	H132926	PLUG	4		

1F23

FC: 5441

SEPARATOR SHELL

ACCESS DOOR AND SIDE PANELS
HP4271 -UN-01JAN94



HP4271

1F24

FC: 5441

SEPARATOR SHELL

ACCESS DOOR AND SIDE PANELS

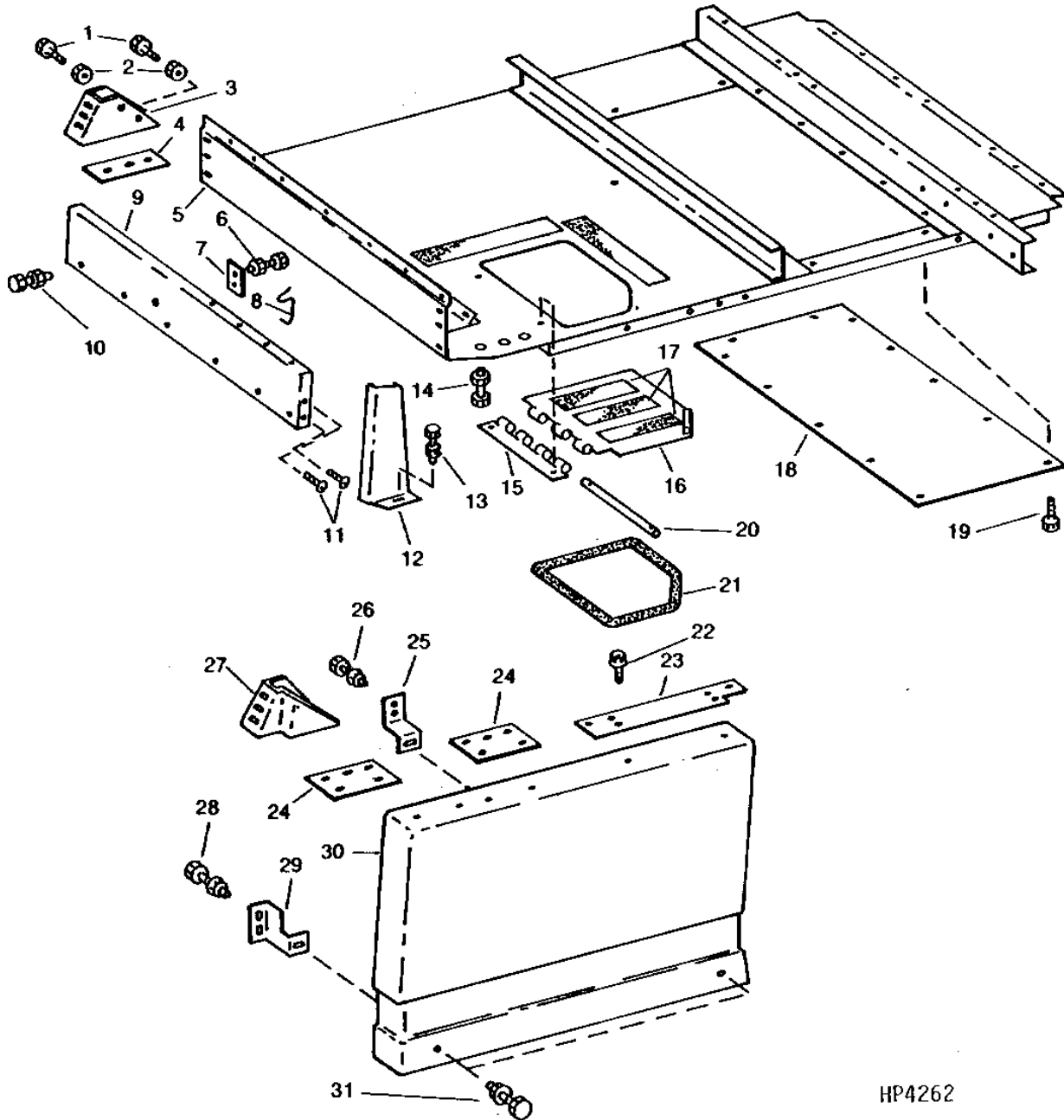
KEY	PART NO.	PART NAME	QTY	SERIAL NO.	REMARKS
1	19M7785	SCREW	2	M10 X 25	
	14M7296	FLANGE NUT	2	M10	
2	H200343	BRACKET	1		
3	AH200262	PANEL	1		
4	H200372	BRACKET	1		
5	H200342	BRACKET	1		
6	03M7184	BOLT	7	M8 X 20	
	14M7298	FLANGE NUT	7	M8	
7	19M7865	SCREW	4	M8 X 16	
	14M7298	FLANGE NUT	4	M8	
8	19M7866	SCREW	4	M8 X 20	
9	AH126015	PANEL	1		
10	H130968	ANGLE	2		
11	03M7185	BOLT	4	M8 X 25	
	14M7298	FLANGE NUT	4	M8	
12	14M7296	FLANGE NUT	1	M10	
13	H200373	BRACKET	1		
14	AH125574	DOOR	1	(SUB AH133830)	
15	H200346	SUPPORT	1		
16	H200347	SUPPORT	1		
17	H200379	BRACE	1		
18	19M7866	SCREW	4	M8 X 20	
	14M7298	FLANGE NUT	4	M8	

1G1

FC: 5441

SEPARATOR SHELL

REAR PLATFORM
HP4262 -UN-01JAN94



HP4262

1G2

FC: 5441

SEPARATOR SHELL

REAR PLATFORM - CONTINUED

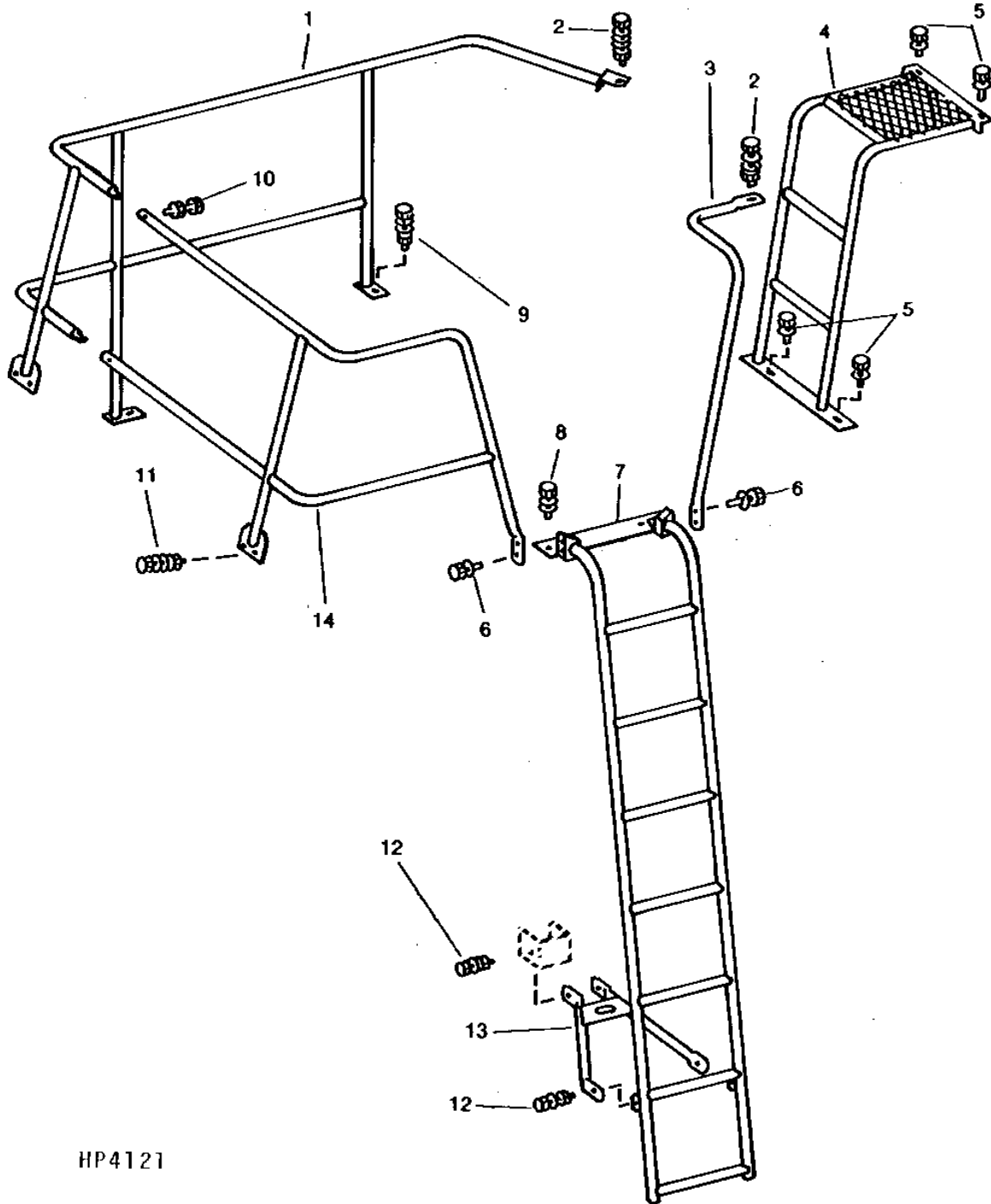
KEY	PART NO.	PART NAME	QTY	SERIAL NO.	REMARKS
1	19M7866	SCREW	2	M8 X 20	
2	14M7298	FLANGE NUT	2	M8	
3	H140225	SUPPORT	1		
4	H135392	STRAP	1		
5	AH200565	FRAME	1	(SUB AH135929)	
6	19M7866	SCREW	1	M8 X 20	
	14M7298	FLANGE NUT	1	M8	
7	H102844	STRAP	1		
8	H135245	HOOK	1		
9	AH136047	PANEL	1		
10	19M7865	SCREW	1	M8 X 16	
	14M7298	FLANGE NUT	1	M8	
11	03M7183	BOLT	2	M8 X 16	
12	H200402	PANEL	1		
13	19M7805	SCREW	2	M10 X 45	
14	19M7805	SCREW	4	M10 X 45	
	19M7786	SCREW	2	M10 X 30	
	14M7296	FLANGE NUT	6	M10	
15	H134506	HINGE	1		
16	AH130506	DOOR	1		
17	H131743	MAT	5		
18	H127097	SHEET	1	(SUB H150317)	
	H150317	SHEET	1		
19	37M7092	SCREW	16	M8 X 16	
20	H134464	PIN	1	(SUB H130057)	
21	AH122244	ISOLATOR	1		
22	37M7080	SCREW	4		
23	AH200396	PAD	1		
24	H200289	BRACKET	2		
25	H200288	BRACKET	1		
26	03M7184	BOLT	2	M8 X 20	
	14M7296	FLANGE NUT	2	M10	
27	H137261	SUPPORT	1		
28	19M7785	SCREW	2	M10 X 25	
	14M7296	FLANGE NUT	2	M10	
29	H200287	BRACKET	1		
30	AH200263	INSTRUMENT PANEL, W/SUPPOR	1		
31	19M7866	SCREW	2	M8 X 20	
	14M7298	FLANGE NUT	2	M8	

1G3

FC: 5441

SEPARATOR SHELL

REAR LADDER AND LANDING
HP4121 -UN-01JAN94



HP4121

1G4

FC: 5441

SEPARATOR SHELL

REAR LADDER AND LANDING - CONTINUED

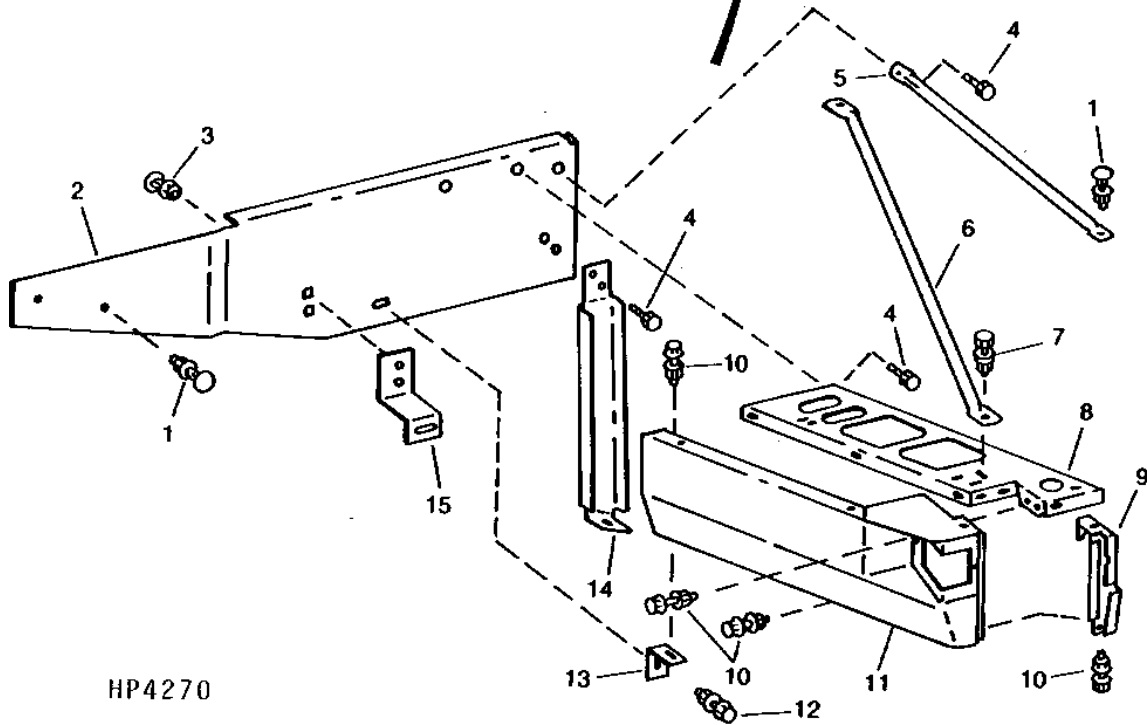
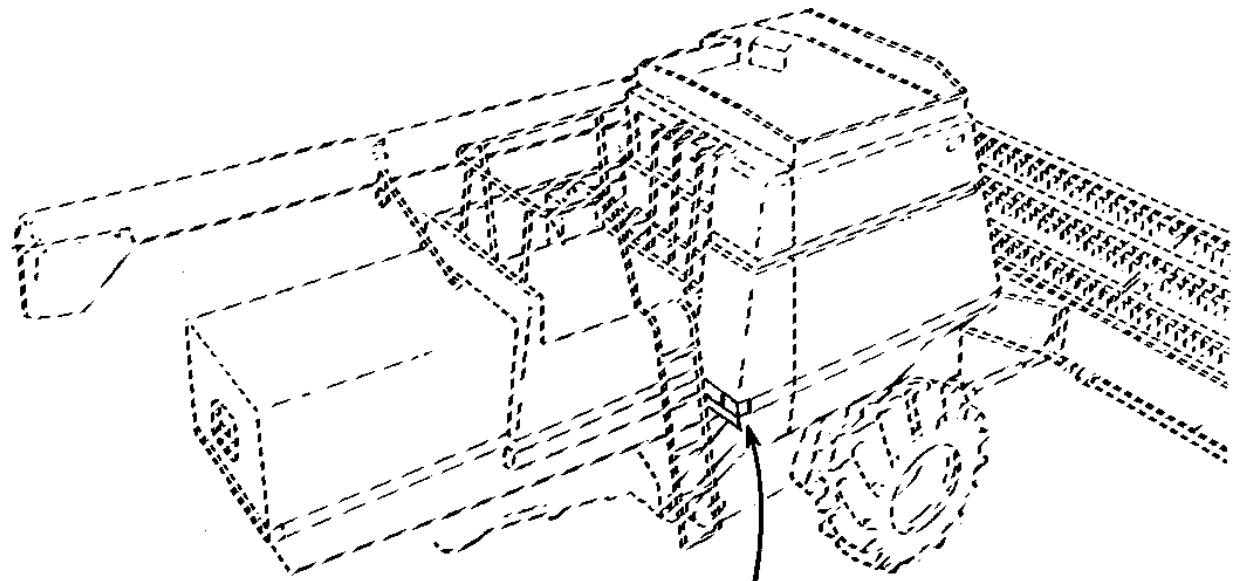
KEY	PART NO.	PART NAME	QTY	SERIAL NO.	REMARKS
1	AH200332	GUARD	1		
2	19H1731	CAP SCREW	2	3/8" X 1"	
	24H1305	WASHER	2	13/32" X 13/16" X 0.065"	
	H99923	LOCK NUT	2	9.525 MM (3/8")	
3	AH200331	HANDRAIL	1		
4	AH200278	LADDER	1		
5	19M7785	SCREW	4	M10 X 25	
	14M7296	FLANGE NUT	4	M10	
6	19H1731	CAP SCREW	4	3/8" X 1"	
	12H304	LOCK WASHER	4	3/8"	
7	AH200560	LADDER	1		
8	19M8162	CAP SCREW	2	M10 X 40	
	24M7028	WASHER	2	10.500 X 20 X 2 MM	
9	19H1731	CAP SCREW	2	3/8" X 1"	
	24H1305	WASHER	2	13/32" X 13/16" X 0.065"	
	12H304	LOCK WASHER	2	3/8"	
	14H812	NUT	2		
10	19H1791	CAP SCREW	2	1/4" X 1-1/4"	
	M40333	LOCK NUT	2	6.350 MM (1/4")	
11	19H1900	CAP SCREW	4	5/16" X 3/4"	
	24H1136	WASHER	8	11/32" X 11/16" X 0.065"	
	12H303	LOCK WASHER	4	5/16"	
	14H785	NUT	4	5/16"	
12	19H1731	CAP SCREW	4	3/8" X 1"	
	12H304	LOCK WASHER	4	3/8"	
	14H812	NUT	4	3/8"	
13	AH200398	BRACE	1		
14	AH200333	GUARD	1		

1G5

FC: 5441

SEPARATOR SHELL

LANDING SUPPORT
HP4270 -UN-01JAN94



HP4270

1G6

FC: 5441

SEPARATOR SHELL

LANDING SUPPORT - CONTINUED

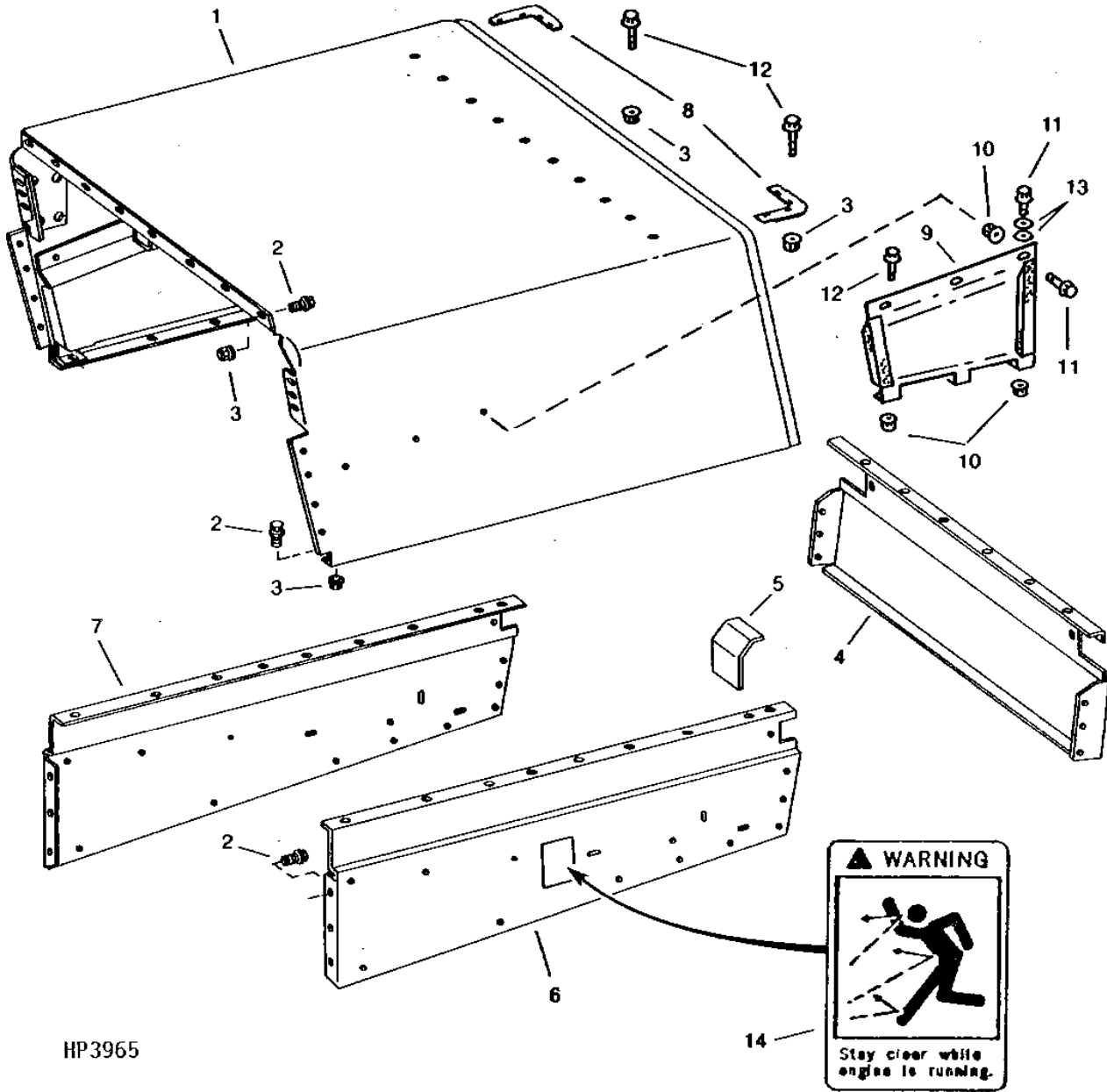
KEY	PART NO.	PART NAME	QTY	SERIAL NO.	REMARKS
1	19M7785	SCREW	2	M10 X 25	
	14M7296	FLANGE NUT	2	M10	
2	AH200380	BRACKET	1		
3	03M7184	BOLT	2	M8 X 20	
	14M7298	FLANGE NUT	2	M8	
4	19M7785	SCREW	3	M10 X 25	
5	H200269	BRACE	1		
6	H200371	BRACE	1		
7	03M7191	BOLT	1	M10 X 25	
	24M7178	WASHER	1	10.500 X 30 X 2.500 MM	
	14M7296	FLANGE NUT	1	M10	
8	H200345	SUPPORT	1		
9	H130431	PANEL	1		
10	19M7865	SCREW	10	M8 X 16	
	14M7298	FLANGE NUT	10	M8	
11	AH125685	PANEL	1		
12	19M7866	SCREW	1	M8 X 20	
	14M7298	FLANGE NUT	1	M8	
13	H131526	ANGLE	1		
14	H200272	CHANNEL	1		
15	H200288	BRACKET	1		

1G7

FC: 5656

SEPARATOR SHELL

REAR HOOD
HP3965 -UN-01JAN94



HP3965

1G8

FC: 5656

SEPARATOR SHELL

REAR HOOD - CONTINUED

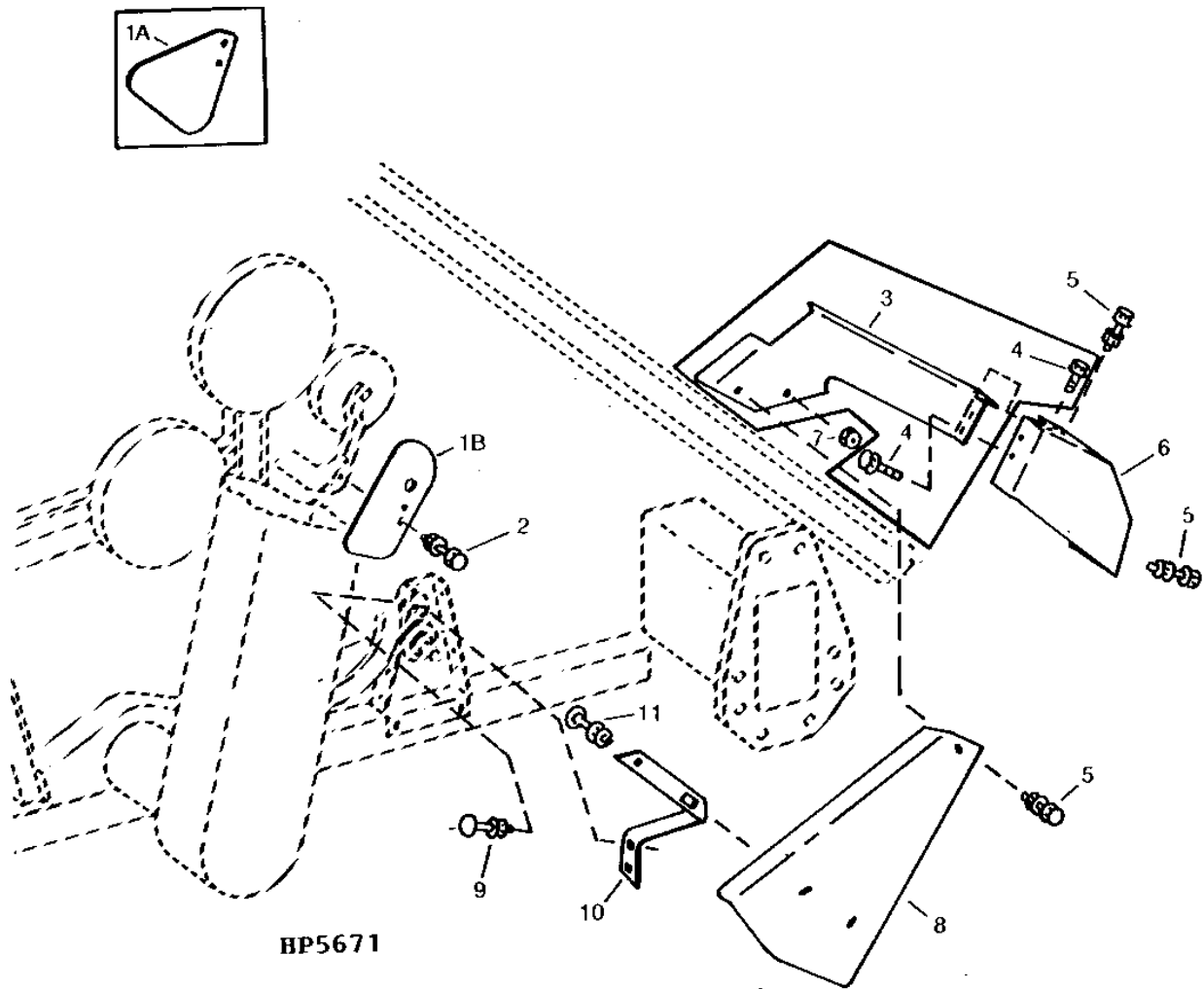
KEY	PART NO.	PART NAME	QTY	SERIAL NO.	REMARKS
1	AH128696	HOOD	1		(SUB AH142010 AND 14M7296)
2	19M7866	SCREW	AR		M8 X 20
3	14M7298	FLANGE NUT	AR		M8
4	AH117811	SHEET	1		(SUB AH135481)
	AH135481	SHEET	1		(USE WITH H149096)
5	H134171	SHIELD	1		R.H.
	H134172	SHIELD	1		L.H.
6	AH125585	SHEET	1		L.H.- INCLUDES MOUNTED DECAL H138989
7	AH125584	SHEET	1		R.H.- INCLUDES MOUNTED DECAL H138989
8	H137343	REINFORCEMENT	1	-NOV93	(SUB H150749)
	H150749	REINFORCEMENT	1		
9	AH125535	PANEL	1		(SUB AH125533, AH125534 AND AH126839) L.H.
	AH125536	INSTRUCTIONS	1		(SUB AH125533, AH125534 AND AH126838) R.H.
10	14M7298	FLANGE NUT	14		M8
11	21M7089	SCREW	12		M8 X 20
12	19M7866	SCREW	2		M8 X 20
13	24M7207	WASHER	4		8.400 X 24 X 2 MM
14	H138989	LABEL	2	-SEPT94	(SUB H149096)
	H149096	LABEL	2		"PROJECTILE WARNING"

1G9

FC: 5659

SEPARATOR SHELL

AUGER DRIVE SHIELDS (R.H. SIDE)
HP5671 -UN-01JAN94



1G10

FC: 5659

SEPARATOR SHELL

AUGER DRIVE SHIELDS (R.H. SIDE) - CONTINUED

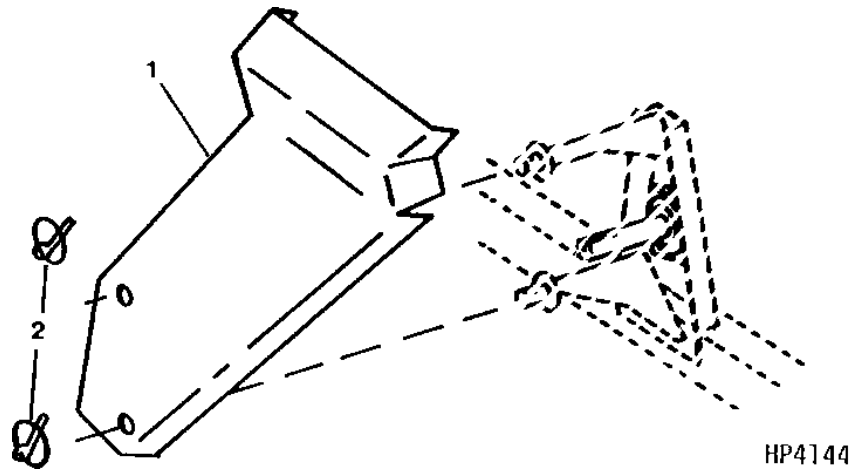
KEY	PART NO.	PART NAME	QTY	SERIAL NO.	REMARKS
1A	H128884	SHIELD	1	-635400	
1B	H141772	SHIELD	1	635401-	
2	19M3131	CAP SCREW	2		M8 X 25
	14M7298	FLANGE NUT	2		M8
3	H135860	SHIELD	1	-640400	AUGER DRIVE IDLER
4	19M7865	SCREW	3	-640400	M8 X 16, (INTO WELDNUTS)
5	19M7865	SCREW	4		M8 X 16
	14M7298	FLANGE NUT	4		M8
6	AH135633	SHIELD	1		AUGER DRIVE
7	14M7299	FLANGE NUT	1		M12
8	H134383	SHIELD	1	-640400	(SUB H141770) SHOE DRIVE
	H141770	SHIELD	1		
9	03M7184	BOLT	2		M8 X 20
	14M7298	FLANGE NUT	2		M8
10	H134414	STRAP	1	-640400	
	H143331	STRAP	1	640401-	(SUB H146756)
11	03M7183	BOLT	2		M8 X 16
	14M7298	FLANGE NUT	2		M8
..	H141771	SUPPORT	1		

1G11

FC: 5659

SEPARATOR SHELL

FAN DRIVE SHIELD (L.H. SIDE)
HP4144 -UN-01JAN94



KEY	PART NO.	PART NAME	QTY	SERIAL NO.	REMARKS
1	AH200713	SHIELD	1		
2	M72598	QUICK LOCK PIN	2		

FC: 0000

SEPARATOR SHELL

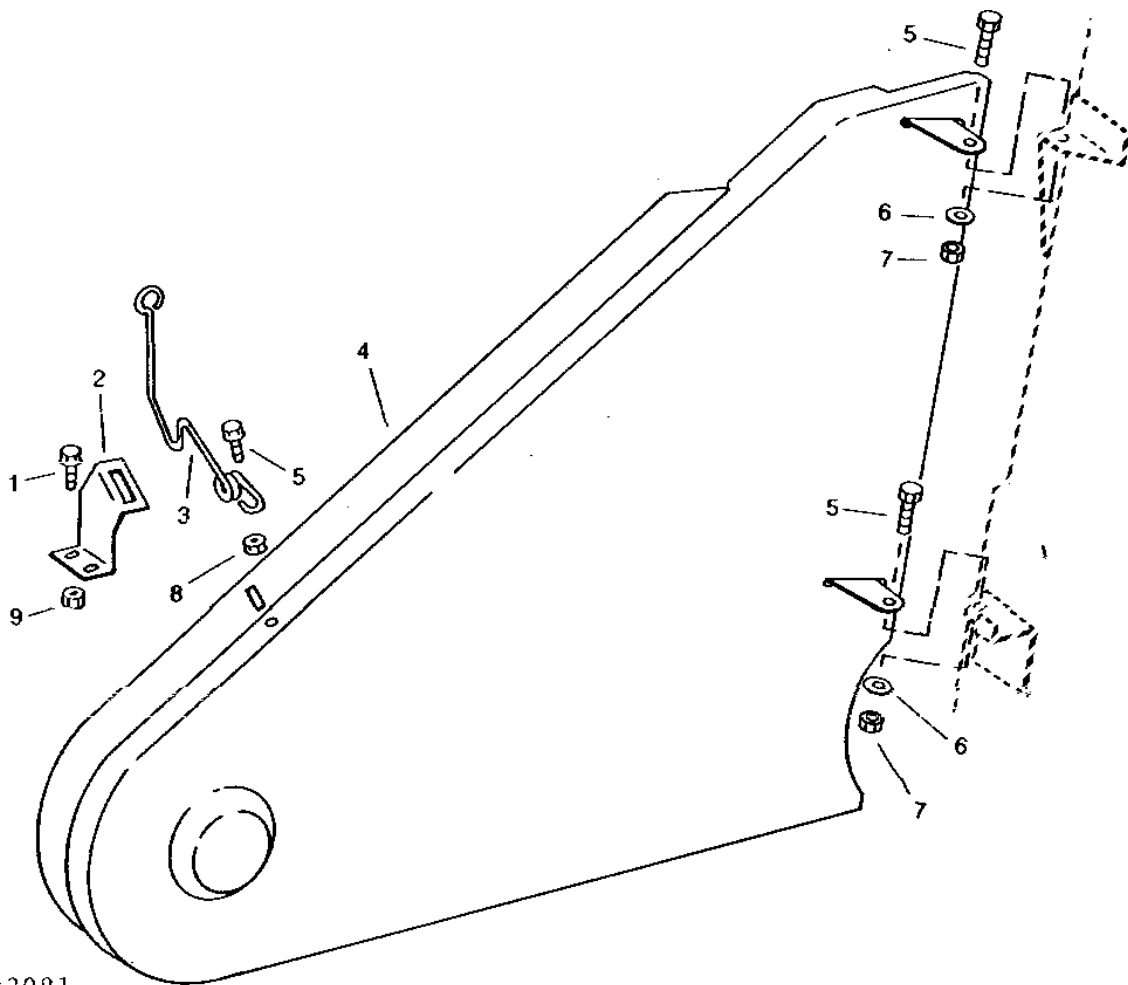
MEMORANDA

1G12

FC: 5659

SEPARATOR SHELL

DRIVE SHIELD (R.H. REAR)
HP3081 -UN-01JAN94



HP 3081

1G13

FC: 5659

SEPARATOR SHELL

DRIVE SHIELD (R.H. REAR) - CONTINUED

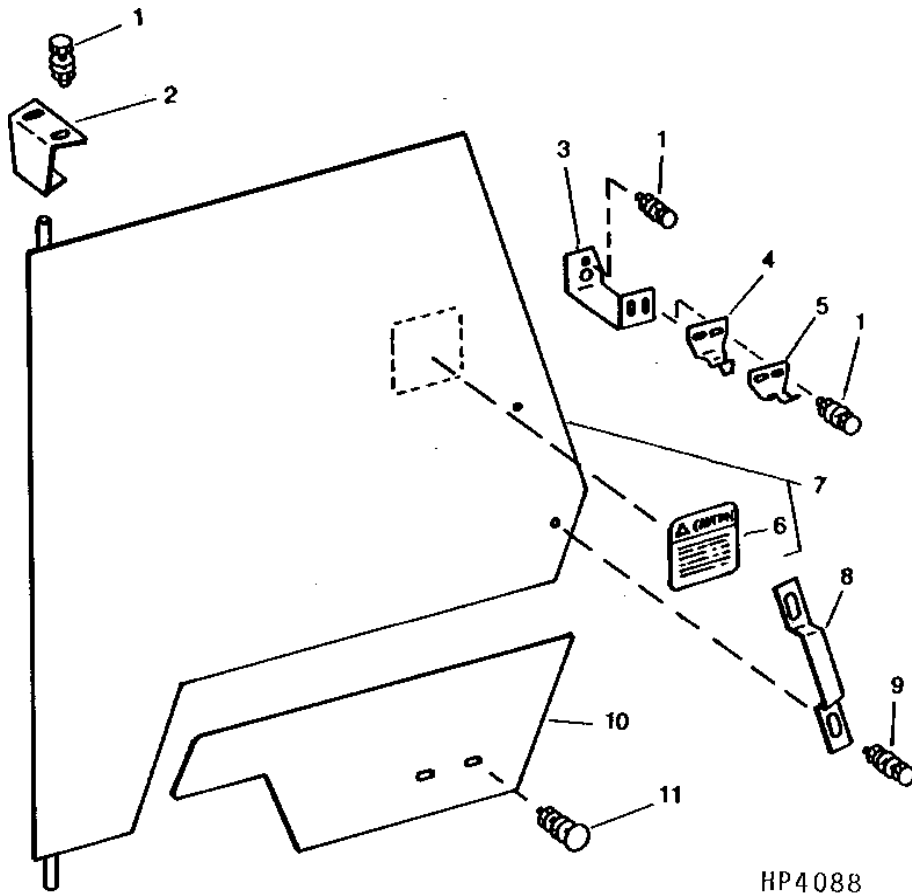
KEY	PART NO.	PART NAME	QTY	SERIAL NO.	REMARKS
1	19M7866	SCREW	2		
2	H131470	BRACKET	1		M8 X 20
3	H130930	SPRING	1		
4	AH123921	SHIELD	1		
5	19M7785	SCREW	3		M10 X 25
6	24M7028	WASHER	2		10.500 X 20 X 2 MM
7	14M7400	LOCK NUT	1		M10
8	14M7296	FLANGE NUT	1		M10
9	19M7298	CAP SCREW	2		M8 X 35

1G14

FC: 5659

SEPARATOR SHELL

DRIVE SHIELD (R.H. SIDE)
HP4088 -UN-01JAN94



1G15

FC: 5659

SEPARATOR SHELL

SIDE SHIELD (R.H. SIDE) - CONTINUED

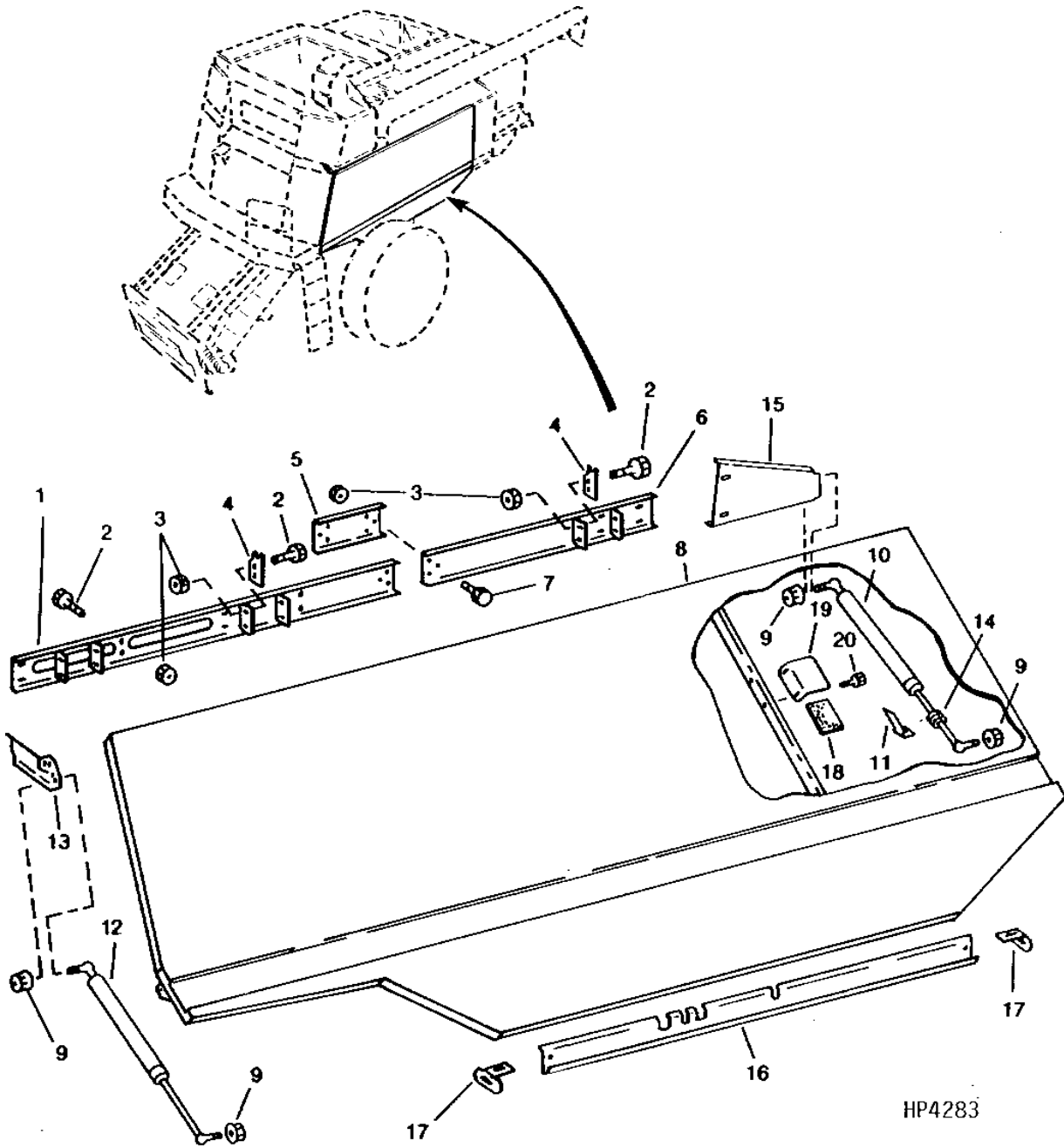
KEY	PART NO.	PART NAME	QTY	SERIAL NO.	REMARKS
1	19H1905	CAP SCREW	5		5/16" X 1"
	24H1136	WASHER	5		11/32" X 11/16" X 0.065"
	12H303	LOCK WASHER	5		5/16"
	14H785	NUT	5		5/16"
2	AH200659	BRACKET	1		
3	AH200660	BRACKET	1		
4	H94747	LATCH	1		
5	H94748	PLATE	1		
6	JD5255	DECAL	1	-AUG94	(SUB E82510)
	E82510	LABEL	1		
7	AH200671	SHIELD	1		
8	H85184	HANDLE	1		
9	19H1900	CAP SCREW	2		5/16" X 3/4"
	24H1136	WASHER	2		11/32" X 11/16" X 0.065"
	12H303	LOCK WASHER	2		5/16"
	14H785	NUT	2		5/16"
10	AH200663	SHIELD	1		
11	03H1540	BOLT	2		5/16" X 3/4"
	24H1136	WASHER	2		11/32" X 11/16" X 0.065"
	12H303	LOCK WASHER	2		5/16"
	14H785	NUT	2		5/16"

1G16

FC: 5659

SEPARATOR SHELL

L.H. GULL WING DOOR
HP4283 -UN-01JAN94



1G17

FC: 5659

SEPARATOR SHELL

L.H. GULL WING DOORS - CONTINUED

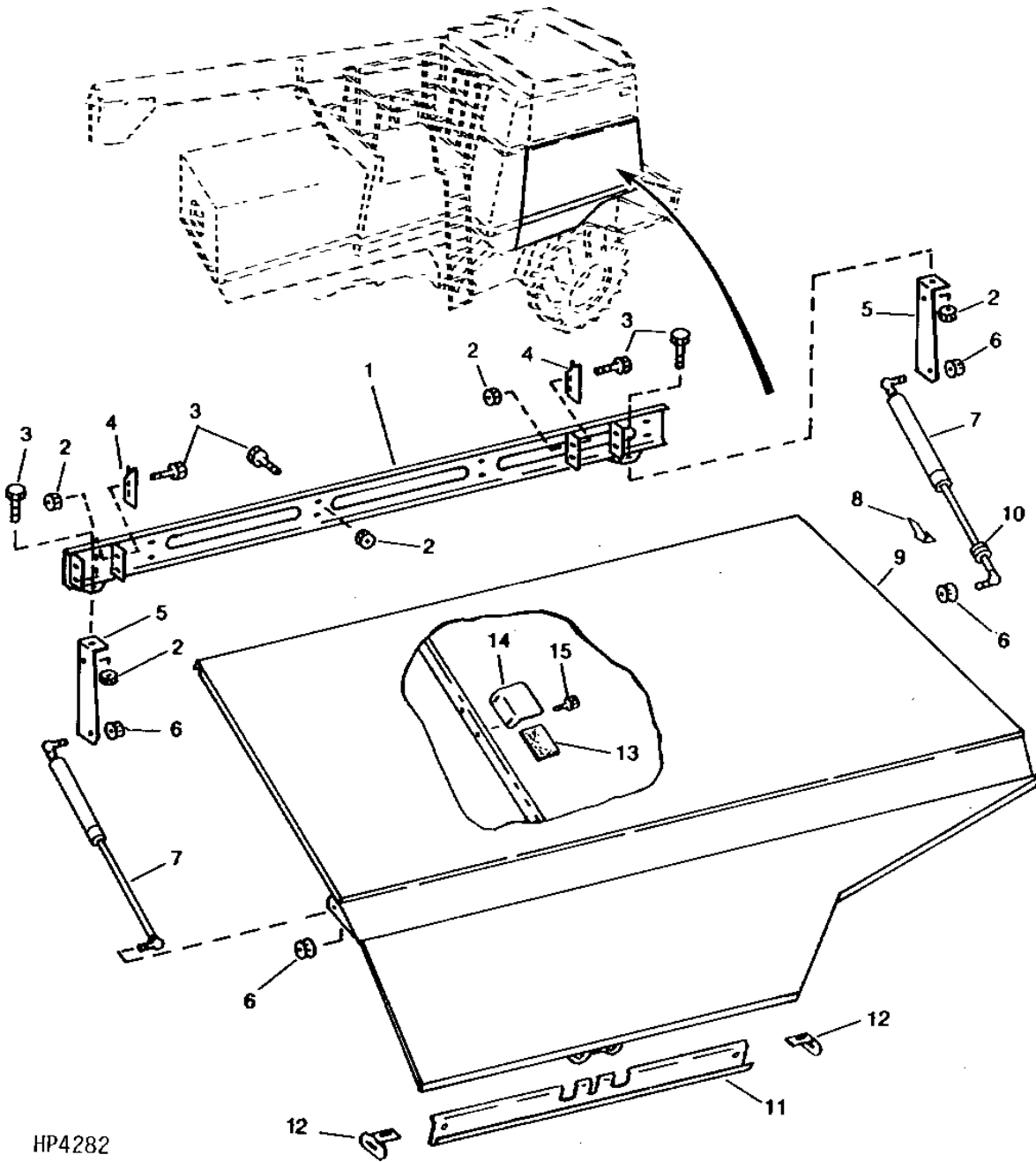
KEY	PART NO.	PART NAME	QTY	SERIAL NO.	REMARKS
1	AH125478	CHANNEL	1		
2	19M7785	SCREW	12	M10 X 25	
3	14M7296	FLANGE NUT	18	M10	
4	H125537	PLATE	2		
5	H132008	CHANNEL	1		
6	AH127275	CHANNEL	1		
7	19M7784	SCREW	6	M10 X 20	
8	AH127704	DOOR	1		
9	14M7298	FLANGE NUT	4	M8	
10	AH128597	SPRING	1	(SUB AH143033)	
	AH143033	SPRING	1	FRONT	
11	H135965	STOP	1		
12	AH128598	SPRING	1		
	AH143218	SPRING	1	REAR	
13	H127677	BRACKET	1		
14	M68701	GROMMET	1		
15	H132857	BRACKET	1		
16	H130521	DEFLECTOR	1		
17	H132822	ANGLE	2		
18	H143453	FOAM PAD	3		
19	H143454	BRACKET	3		
20	37M7083	SCREW	6	M8 X 12	

1G18

FC: 5659

SEPARATOR SHELL

R.H. GULL WING DOOR
HP4282 -UN-01JAN94



HP4282

1G19

FC: 5659

SEPARATOR SHELL

R.H. GULL WING DOORS - CONTINUED

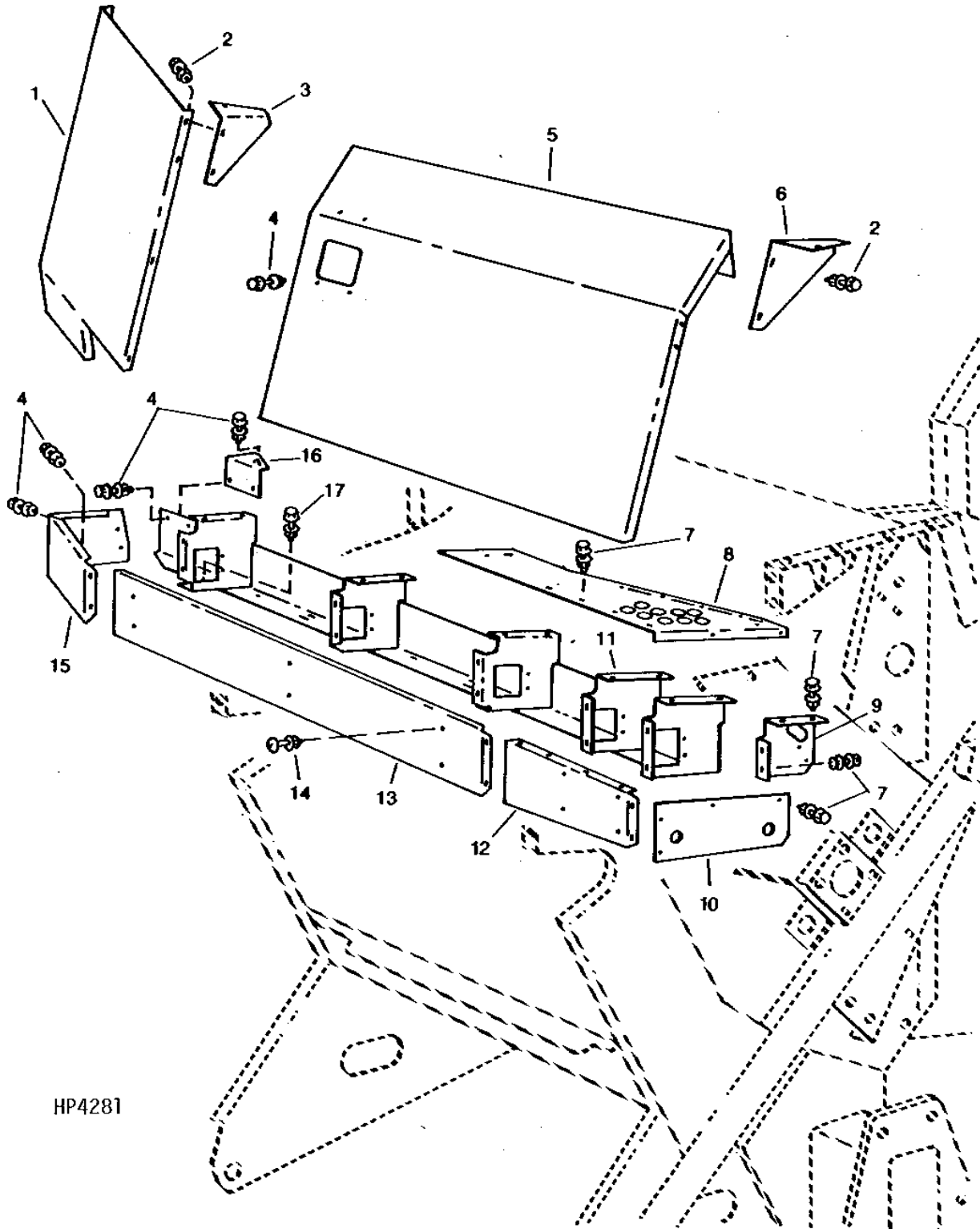
KEY	PART NO.	PART NAME	QTY	SERIAL NO.	REMARKS
1	AH125306	CHANNEL	1		
2	14M7296	FLANGE NUT	10	M10	
3	19M7784	SCREW	10	M10 X 20	
4	H125537	PLATE	2		
5	H139056	BRACKET	2		
6	14M7298	FLANGE NUT	4	M8	
7	AH128596	SPRING	2		
	AH143219	SPRING	2		
8	H135965	STOP	1		
9	AH127716	DOOR	1		
10	M68701	GROMMET	1		
11	H130039	DEFLECTOR	1		
12	H132822	ANGLE	2		
13	H143453	FOAM PAD	2		
14	H143454	BRACKET	2		
15	37M7083	SCREW	4	M8 X 12	

1G20

FC: 5554

SEPARATOR SHELL

FRONT CORNER SHEET, RIGHT HAND
HP4281 -UN-01JAN94



HP4281

1G21

FC: 5554

SEPARATOR SHELL

FRONT CORNER SHEET, RIGHT HAND - CONTINUED

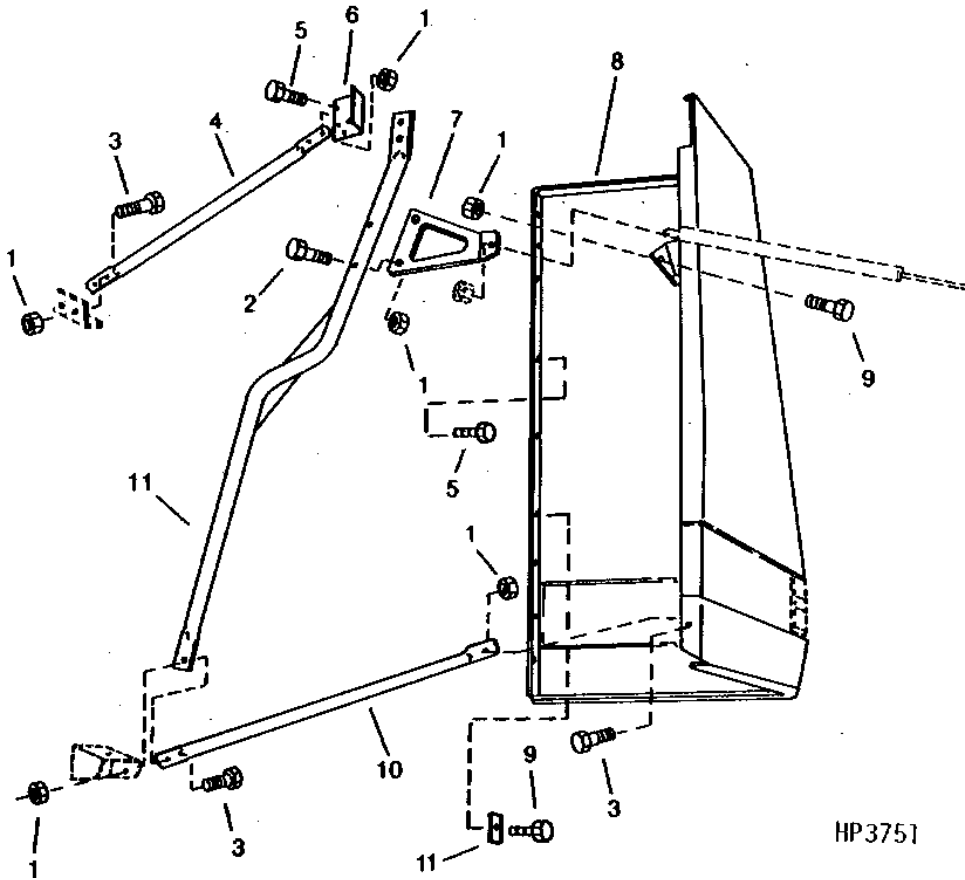
KEY	PART NO.	PART NAME	QTY	SERIAL NO.	REMARKS
1	AH200367	PANEL	1		
2	19M7865	SCREW	8	M8 X 16	
	14M7298	FLANGE NUT	8	M8	
3	H200152	SUPPORT	1		
4	19M7865	SCREW	12	M8 X 16	
	14M7298	FLANGE NUT	12	M8	
5	H200163	PANEL	1		
6	H200151	SUPPORT	1		
7	19M7865	SCREW	10	M8 X 16	
	14M7298	FLANGE NUT	10	M8	
8	H200344	SHIELD	1		
9	H200308	SUPPORT	1		
10	H200314	PANEL	1		
11	AH200304	SUPPORT	1		
12	H200313	PANEL	1		
13	H200312	PANEL	1		
14	03M7183	BOLT	12	M8 X 16	
	14M7298	FLANGE NUT	12	M8	
15	H200311	PANEL	1		
16	H200149	ANGLE	1		
17	19M7867	SCREW	8	M8 X 25	
	14M7298	FLANGE NUT	8	M8	

1G22

FC: 5554

SEPARATOR SHELL

REAR CORNER SHEET, LEFT HAND
HP3751 -UN-01JAN94



HP3751

1G23

FC: 5554

SEPARATOR SHELL

REAR CORNER SHEET, LEFT HAND - CONTINUED

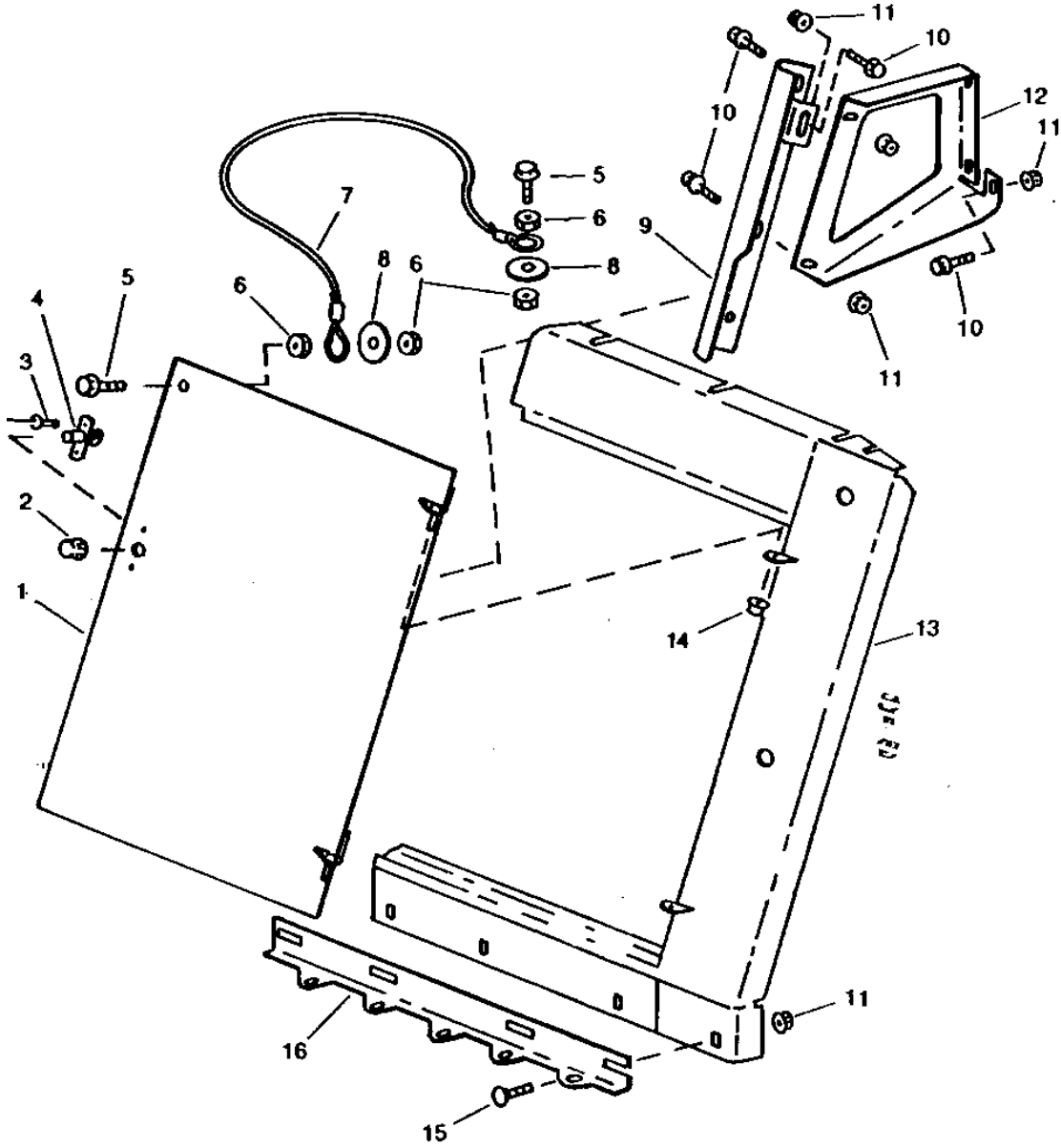
KEY	PART NO.	PART NAME	QTY	SERIAL NO.	REMARKS
1	14M7298	FLANGE NUT	6	M8	
2	19M7979	SCREW	2	M8 X 55	
3	19M7868	SCREW	3	M8 X 30	
4	H132948	BRACE	1		
5	19M7866	SCREW	6	M8 X 20	
6	H131543	BRACKET	1		
7	H132857	BRACKET	1		
8	AH128014	PANEL	1	(SUB AH136162)	
9	19M7867	SCREW	6	M8 X 25	
10	H132949	BRACE	1		
11	AH126564	BRACE	1		

1G24

FC: 5554

SEPARATOR SHELL

LEFT - HAND FRONT CORNER SHEET AND DOOR
HP4081 -UN-01JAN94



HP4081

1G25

FC: 5554

SEPARATOR SHELL

LEFT - HAND FRONT CORNER SHEET AND DOOR - CONTINUED

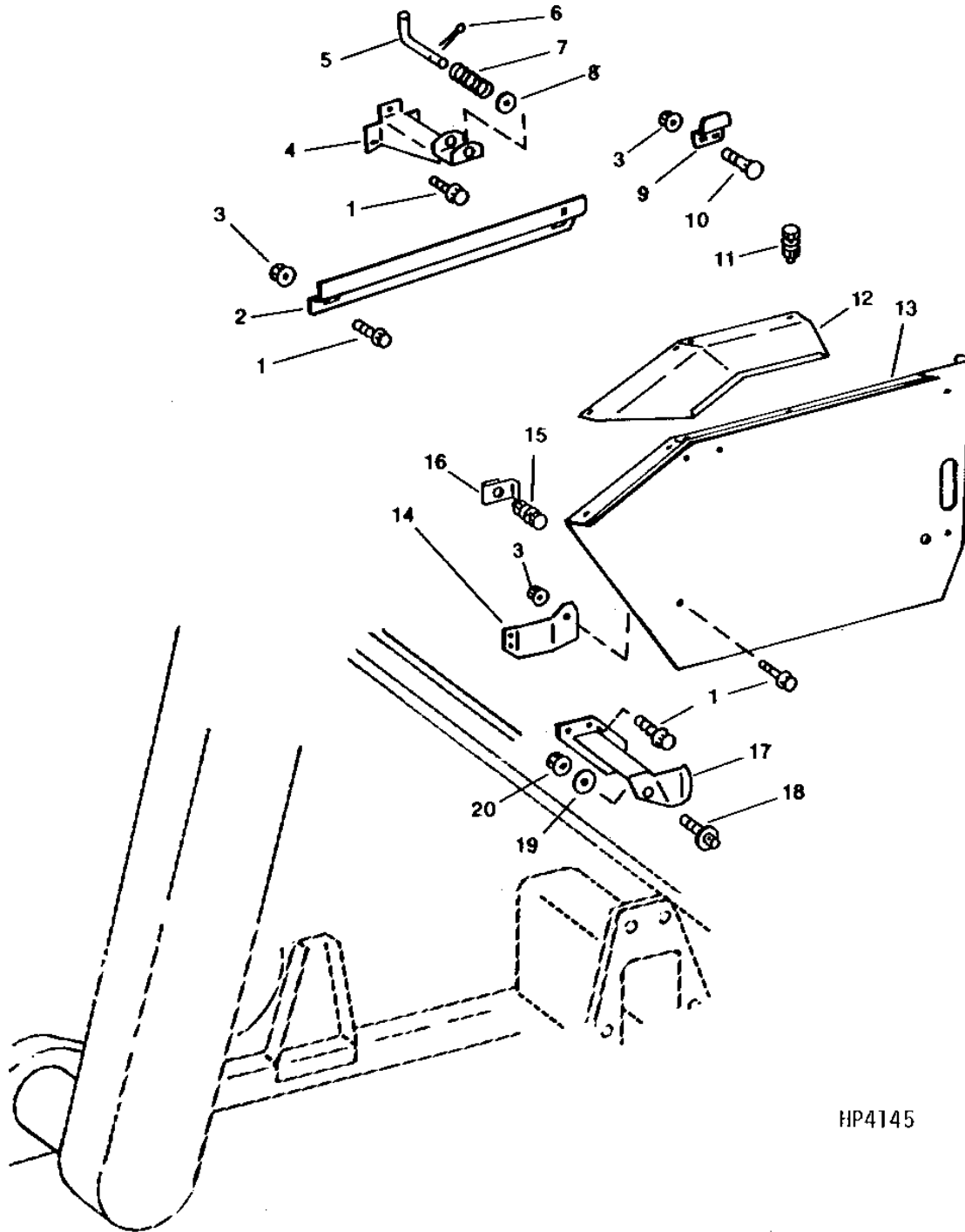
KEY	PART NO.	PART NAME	QTY	SERIAL NO.	REMARKS
1	AH125641	DOOR	1		
2	H121391	KNOB	1		
3	H64584	RIVET	2		3.175 MM (1/8")
4	AH125644	LATCH	1		
5	21H1027	SCREW	2		1/4" X 3/4"
6	14H786	NUT	2		1/4"
7	AR28339	CABLE	1		
8	24H1695	WASHER	2		9/32" X 1-3/8" X 0.065"
9	AH125642	ANGLE	1		
10	19M7865	SCREW	9		M8 X 16
11	14M7298	FLANGE NUT	10		M8
12	H130363	BRACKET	1		
13	AH125640	PANEL	1		
14	H120499	NUT	2		6 MM (0.236")
15	03M7183	BOLT	4		M8 X 16
16	H130362	ANGLE	1		

1H1

FC: 5659

SEPARATOR SHELL

MUD SHIELDS (R.H. SIDE)
HP4145 -UN-01JAN94



HP4145

1H2

FC: 5659

SEPARATOR SHELL

MUD SHIELDS (R.H. SIDE) - CONTINUED

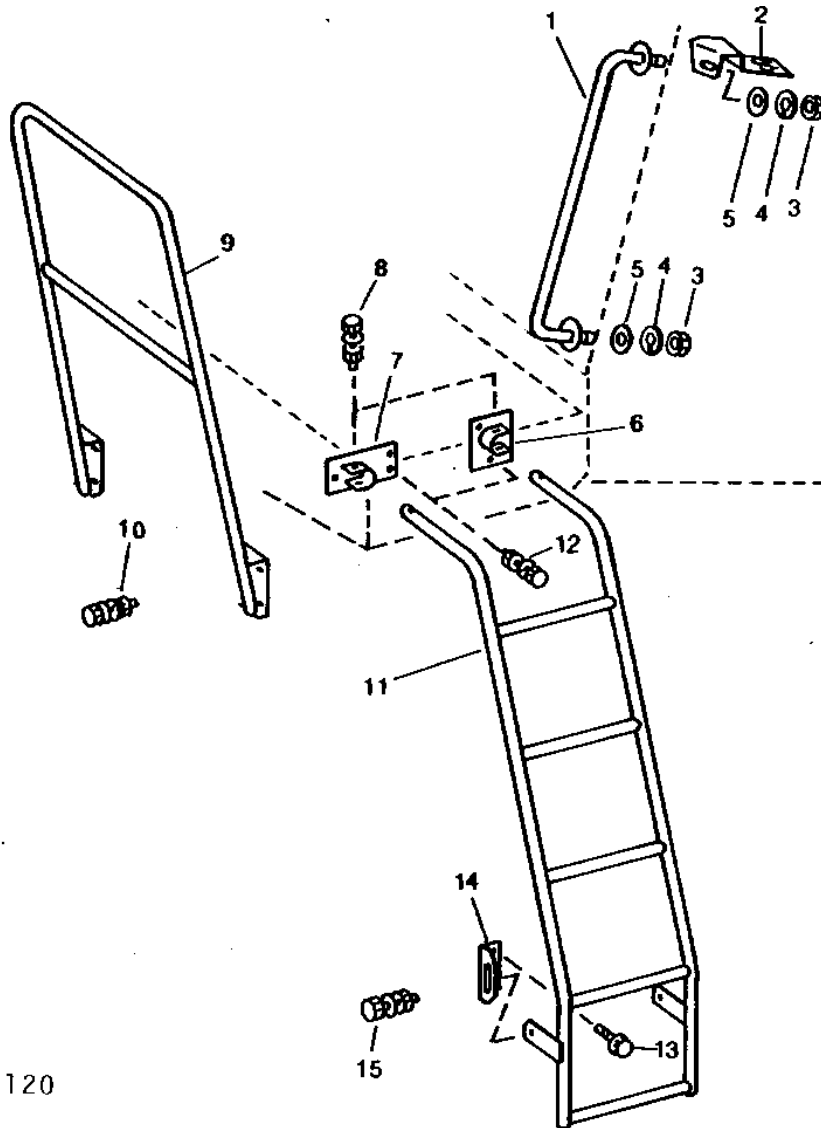
KEY	PART NO.	PART NAME	QTY	SERIAL NO.	REMARKS
1	19M7865	SCREW	4	M8 X 16	
2	H127731	GUIDE	1		
3	14M7298	FLANGE NUT	1	M8	
4	AH122619	BRACKET	1	(SUB AH136285)	
5	H78557	PIN	1		
6	11H211	COTTER PIN	1	1/8" X 3/4"	
7	HZ5621H	SPRING	1		
8	24H1305	WASHER	1	13/32" X 13/16" X 0.065"	
9	H127732	GUIDE	1		
10	03M7184	BOLT	2	M8 X 20	
11	19H1900	CAP SCREW	4	5/16" X 3/4"	
	24H1136	WASHER	4	11/32" X 11/16" X 0.065"	
	T16464	LOCK NUT	4	7.925 MM (5/16")	
12	AH200595	SHIELD	1		
13	AH122616	SHIELD	1		
14	AH130132	BRACKET	1	(SUB AH135375)	
15	19H1900	CAP SCREW	1	5/16" X 3/4"	
	24H1294	WASHER	1	11/32" X 1-1/8" X 1/16"	
	T16464	LOCK NUT	1	7.925 MM (5/16")	
16	AH200593	BRACKET	1		
17	AH130946	BRACKET	1	(SUB AH136355)	
18	H130636	STUD	1	(SUB H141975)	
19	24M7178	WASHER	1	10.500 X 30 X 2.500 MM	
20	14M7296	FLANGE NUT	2	M10	

1H3

FC: 5263

SEPARATOR SHELL

LEFT-HAND LANDING AND LANDING LADDER
HP4120 -UN-01JAN94



HP4120

1H4

FC: 5263

SEPARATOR SHELL

LEFT-HAND LANDING AND LADDER - CONTINUED

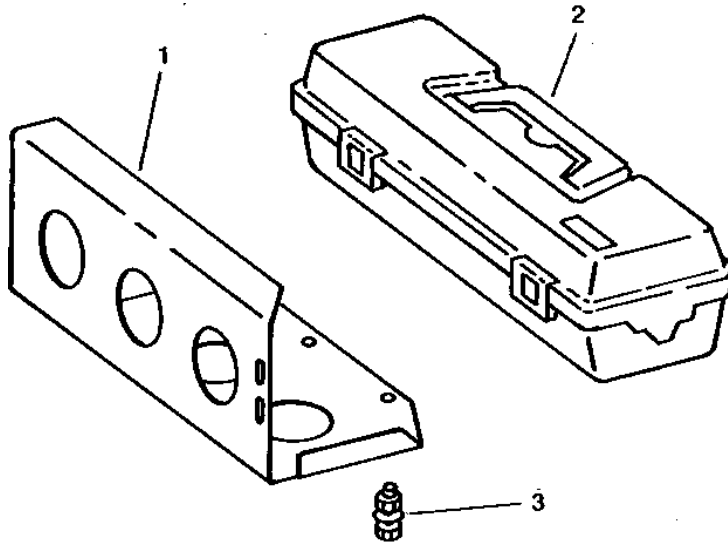
KEY	PART NO.	PART NAME	QTY	SERIAL NO.	REMARKS
1	AH200520	HANDRAIL	1		
2	AH200576	BRACKET	1		
3	14H809	NUT	2		1/2", (SUB 14H1040)
	14H1040	NUT	2		1/2"
4	12H301	LOCK WASHER	2		1/2"
5	24H1111	WASHER	2		17/32" X 1-1/16" X 0.090"
6	AH200435	SUPPORT	1		
7	AH200437	SUPPORT	1		
8	19H1733	CAP SCREW	2		3/8" X 2-1/2"
	24H1305	WASHER	4		13/32" X 13/16" X 0.065"
	H99923	LOCK NUT	2		9.525 MM (3/8")
9	AH200441	GUARD	1		
10	03H1709	BOLT	4		5/16" X 1"
	24H1136	WASHER	4		11/32" X 11/16" X 0.065"
	12H303	LOCK WASHER	4		5/16"
	14H785	NUT	4		5/16"
11	AH200677	LADDER	1		
12	19H2021	CAP SCREW	5		3/8" X 5/8"
	12H304	LOCK WASHER	5		3/8"
	14H812	NUT	5		3/8"
13	H65108	SCREW	4		7.938 X 12.700 MM (5/16" X 1/2") (SUB H78354)
14	AH200678	SUPPORT	1		
15	19H1721	CAP SCREW	2		1/2" X 1-1/2"
	24H1111	WASHER	2		17/32" X 1-1/16" X 0.090"
	U12622	LOCK NUT	2		12.700 MM (1/2") (SUB BP12214)

1H5

FC: 5642

SEPARATOR SHELL

TOOL BOX
HP4082 -UN-01JAN94



HP4082

KEY	PART NO.	PART NAME	QTY	SERIAL NO.	REMARKS
1	AH200681	BRACKET	1		
2	AH114877	TOOLBOX	1		
3	19H1900	CAP SCREW	3	5/16" X 3/4"	
	24H1136	WASHER	3	11/32" X 11/16" X 0.065"	
	T16464	LOCK NUT	3	7.925 MM (5/16")	

FC: 0000

FEEDER HOUSE

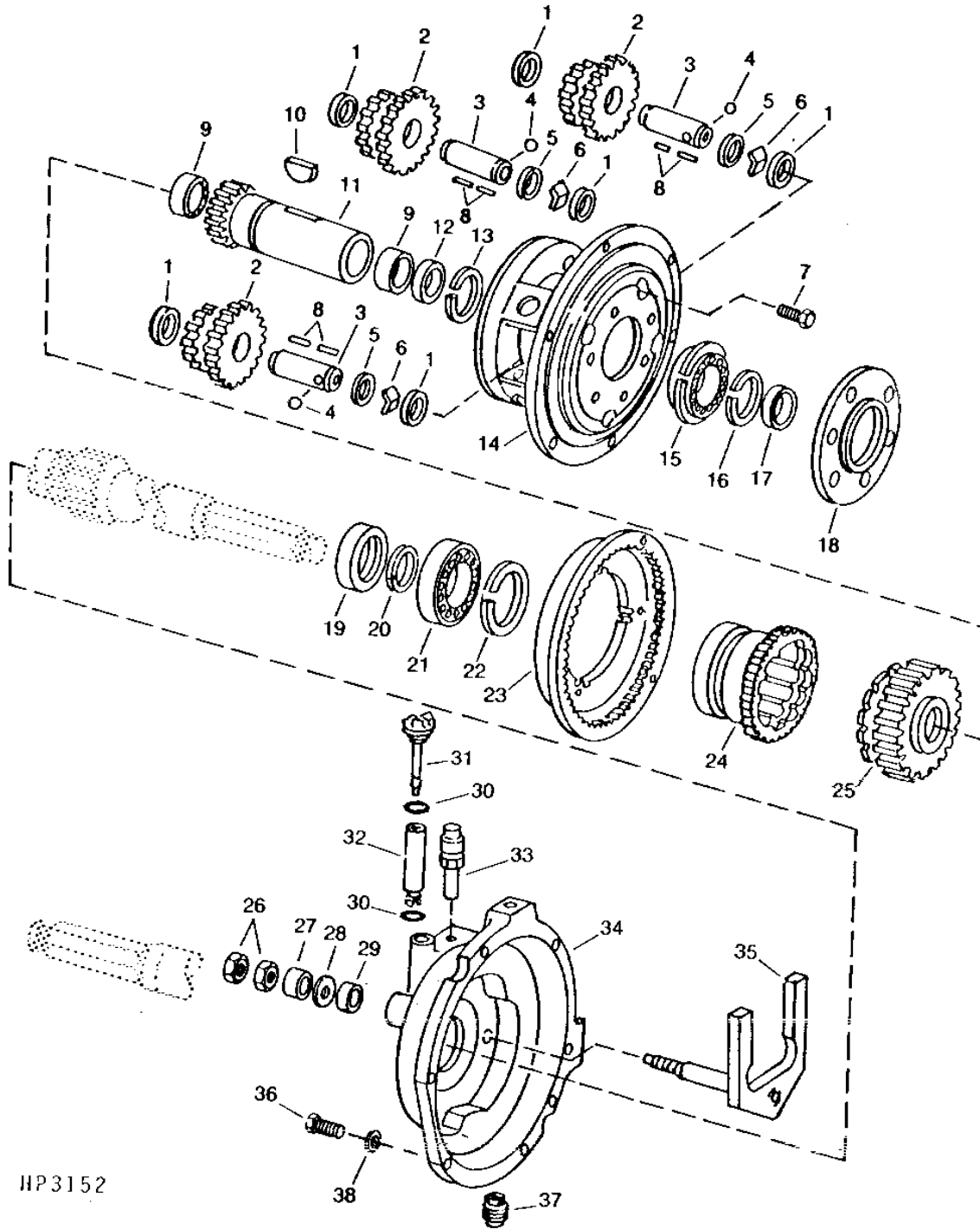
MEMORANDA

1H7

FC: 5182

FEEDER HOUSE

REVERSER GEAR BOX
HP3152 -UN-01JAN94



HP3152

1H8

FC: 5182

FEEDER HOUSE

REVERSER GEAR BOX - CONTINUED

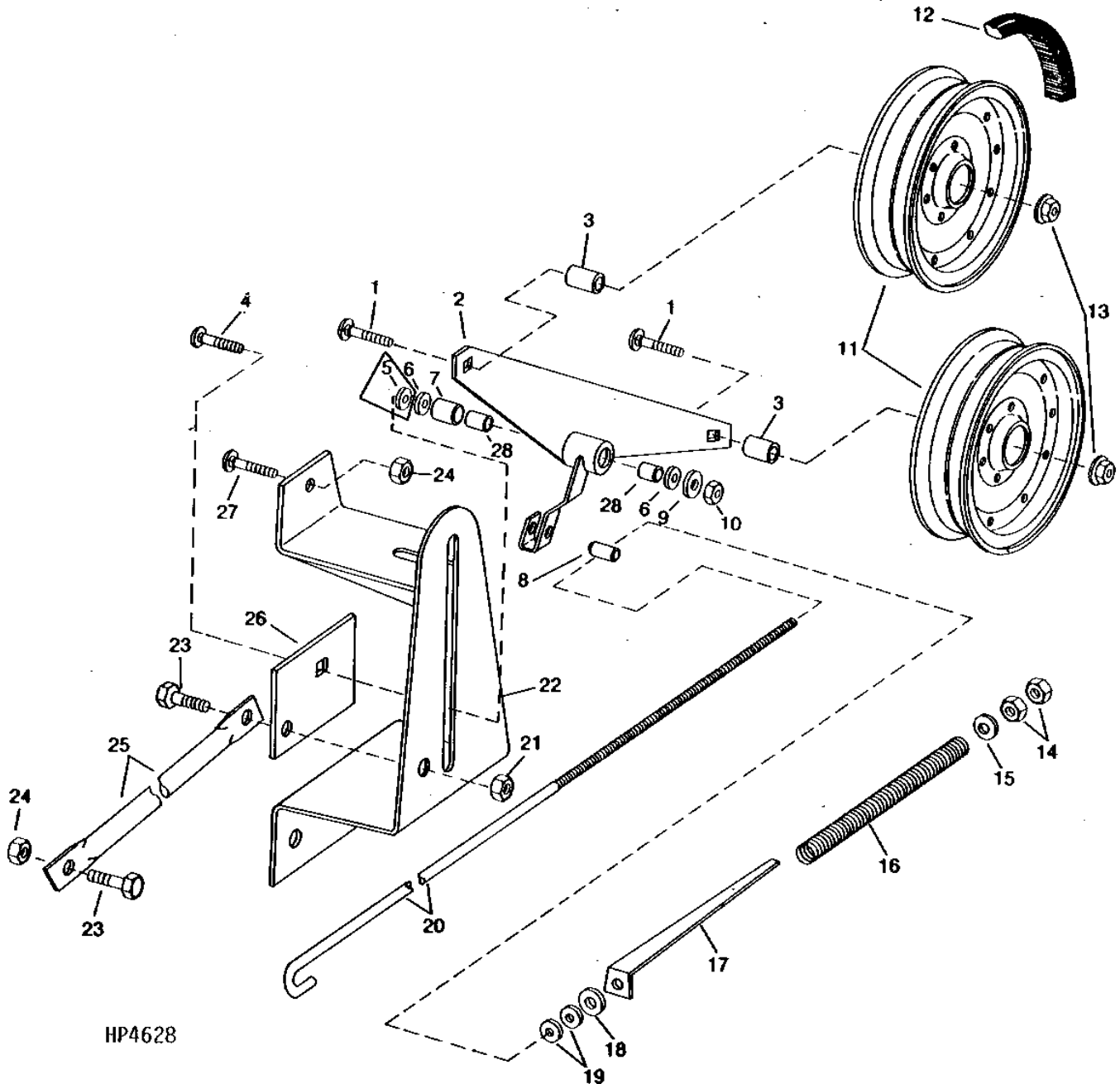
KEY	PART NO.	PART NAME	QTY	SERIAL NO.	REMARKS
1	R66197	THRUST WASHER	6		
2	H105912	PINION	3		(SUB AH106618)
3	R33079	PIN	3		
4	H871R	BALL	3		
5	R33088	WASHER	3		
6	H89617	SPACER	3		
7	19H1936	CAP SCREW	6		3/8" X 3/4"
8	R33058	NEEDLE ROLLER	186		(6 SETS OF 31)
9	JD8819	NEEDLE BEARING	2		
10	26H41	SHAFT KEY	2		5/16" X 2-1/8"
11	H105909	GEAR	1		INPUT
12	E53699	SEAL	1		
13	B3118R	SNAP RING	1		
14	H98906	COVER	1		(SUB H149504)
15	JD10010	BALL BEARING	1		(WITH SNAP RING)
16	R39081	SNAP RING	1		
17	R35643	SEAL	1		
18	H105353	QUILL	1		(SUB H146585)
19	AN12151	SEAL	1		
20	N71922	SNAP RING	1		
21	JD10011	BALL BEARING	1		
22	BP13620	SNAP RING	1		
23	AH105040	GEAR	1		
24	H132328	SHIFT COLLAR	1		
25	H106073	GEAR	1		OUTPUT
26	14H832	NUT	2		9/16"
27	28H2499	BUSHING	1		0.742" X 1.050" X 5/8"
28	24H1378	WASHER	1		11/16" X 1-15/32" X 0.134"
29	AN113330	SEAL	1		
30	R26906	O-RING	1		
31	AH134599	DIPSTICK	1		(SUB AH140615)
32	H140195	SPACER	1		
33	U14273	BREATHER	1		
34	H129180	HOUSING	1		(SUB H146951)
35	AH93110	SHIFTER	1		
36	19H1731	CAP SCREW	6		3/8" X 1"
37	AN31004	PIPE PLUG	1		
38	12H304	LOCK WASHER	6		3/8"
39	R26375	O-RING	1		
..	T43512	SEALANT	1		50 ML SIZE (CANADA PART NO. TY9477)
..	TY15130	SEALANT	1		3 OZ. SIZE
..	AH134864	CASE	1		

1H9

FC: 5182

FEEDER HOUSE

FIXED SPEED FEEDER HOUSE DRIVE TIGHTENER
HP4628 -UN-01JAN94



HP4628

1H10

FC: 5182

FEEDER HOUSE

FIXED SPEED FEEDER HOUSE DRIVE TIGHTENER - CONTINUED

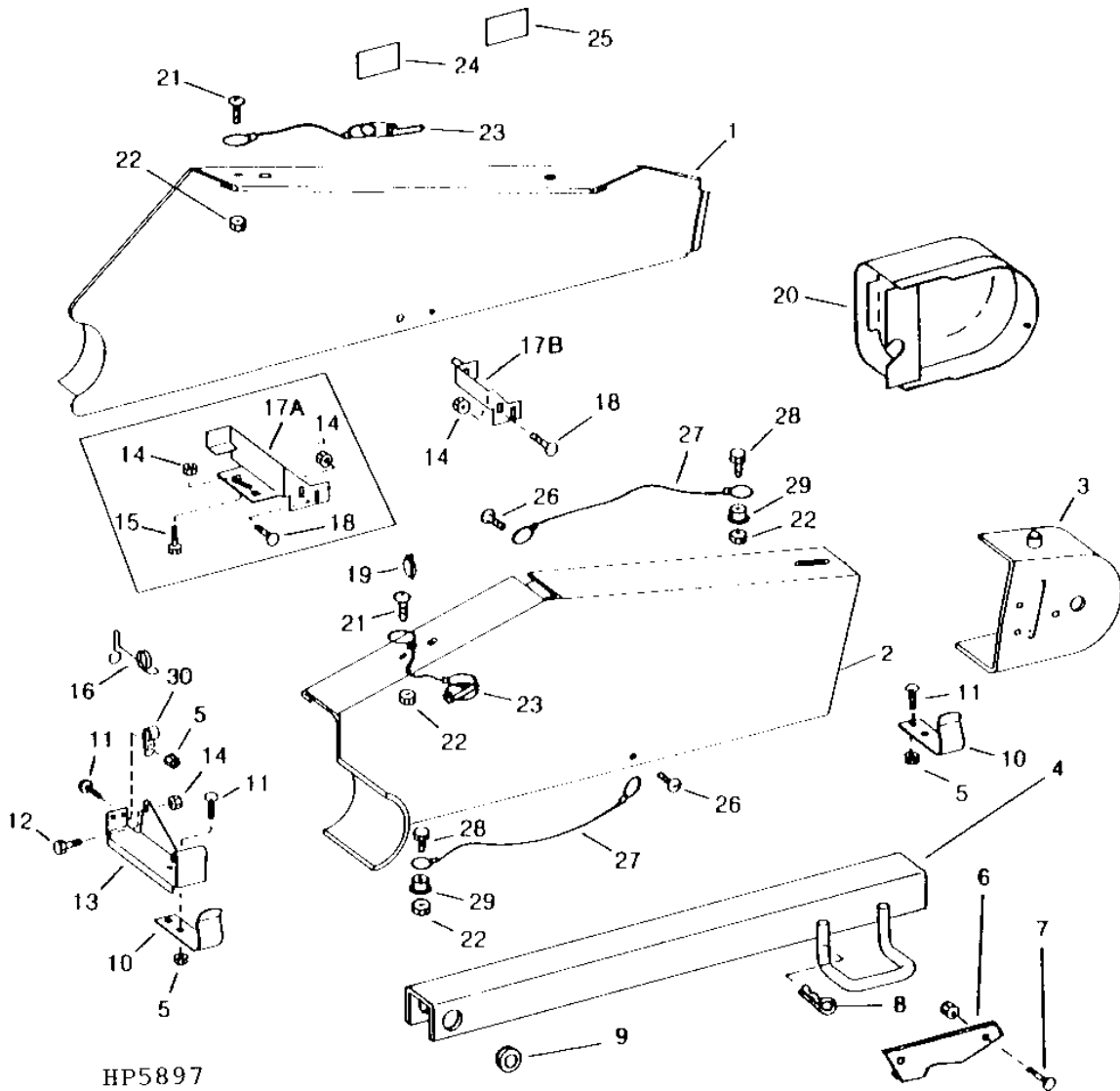
KEY	PART NO.	PART NAME	QTY	SERIAL NO.	REMARKS
1	03M7211	BOLT	2		M16 X 70
2	AH97340	ARM	1		
3	M2952DN	SPACER	2		
4	03M7248	BOLT	1		M12 X 90
5	T20217	WASHER	1	-640400	0.510" X 1.730" X 1/4"
6	24H1413	WASHER	2		57/64" X 1-3/8" X 0.048"
7	H89297	BUSHING	1		
8	H132825	PIVOT	1		
9	24H1748	WASHER	1		1/2" X 1-1/4" X 0.105"
10	A31867	LOCK NUT	1		
11	AH94450	IDLER	2		
12	H126345	BELT	1		
13	14M7291	FLANGE NUT	2		M16
14	14M7275	NUT	2		M12
15	24H1789	WASHER	1		17/32" X 1-1/4" X 0.105"
16	A25695	SPRING	1		
17	H95499	GAUGE	1		
18	24H1748	WASHER	1		
19	24M7240	WASHER	2		13 X 25 X 3 MM
20	H126346	BOLT	1		
21	14M7299	FLANGE NUT	1		M12
22	AH130565	BRACKET	1		(SUB AH139295)
23	19M7789	SCREW	2		M12 X 30
24	14M7299	FLANGE NUT	2		M12
25	H126371	BRACE	1		
26	H126370	REINFORCEMENT	1		
27	03M7197	BOLT	1	-MAY91	M12 X 25
	03M7198	BOLT	1	MAY91-	M12 X 30
28	H98655	BUSHING	2		

1H11

FC: 5177

FEEDER HOUSE

FEEDER HOUSE DRIVE SHIELDS AND SAFETY STOP
HP5897 -UN-23NOV94



1H12

FC: 5177

FEEDER HOUSE

FEEDER HOUSE DRIVE SHIELDS AND SAFETY STOP - CONTINUED

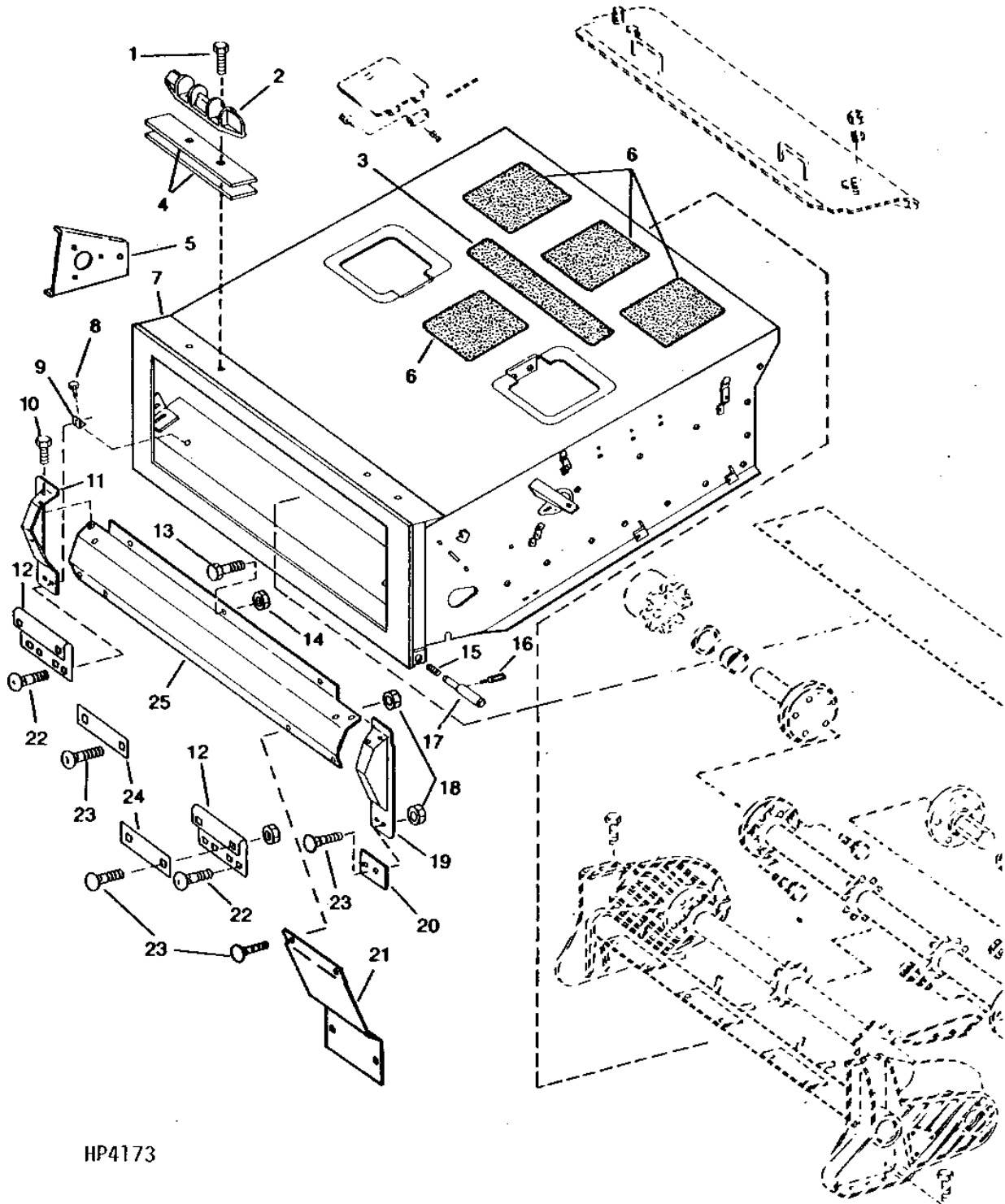
KEY	PART NO.	PART NAME	QTY	SERIAL NO.	REMARKS
1	AH130894	SHIELD	1	-640400	
	AH138092	POWERSHAFT SHIELD	1	640401-	(SUB AH141807)
2	AH130545	SHIELD	1		(SUB AH134824)
3	AH134826	SHIELD	1		
4	AH200241	STOP	1		(SUB AH138360)
5	14M7296	FLANGE NUT	8		M10
6	H200243	BRACKET	1		
7	19M7784	SCREW	2		M10 X 20
8	A15146	SPRING LOCKING PIN	1		
9	N184228	WASHER	2		
10	H140122	CLIP	2		
11	03M7184	BOLT	6		M8 X 20
12	19M7785	SCREW	1		M10 X 25
13	H134085	BRACKET	1		
14	14M7296	FLANGE NUT	4		M10
15	03M7191	BOLT	1	-640400	M10 X 25
16	H127781	SPRING	1	-640400	
17A	H134733	BRACKET	1	-640400	
17B	AH136358	RETAINER	1	640401-	
18	03M7190	BOLT	2		M10 X 20
19	M72598	QUICK LOCK PIN	4		
20	AH139352	POWERSHAFT SHIELD	1	640401-	
	H146766	POWERSHAFT SHIELD	1		
21	21M7125	SCREW	2		M8 X 25
22	14M7298	FLANGE NUT	4		M8
23	AH135290	QUICK LOCK PIN	2	640401-	
24	H137939	LABEL	1	640401-	HARNES AND HOSE STORAGE
25	H126397	LABEL	1	640401-	VARIABLE SPEED DRIVE
26	03M7186	BOLT	2		M8 X 30
27	AH134121	CABLE	2	640401-	(USE WITH R73290)
28	21M7125	SCREW	2		M8 X 25
29	M93425	SPACER	2	640401-	
30	AH89496	BRACKET	1		

1H13

FC: 5173

FEEDER HOUSE

FEEDER HOUSE FRAME
HP4173 -UN-01JAN94



HP4173

1H14

FC: 5173

FEEDER HOUSE

FEEDER HOUSE FRAME - CONTINUED

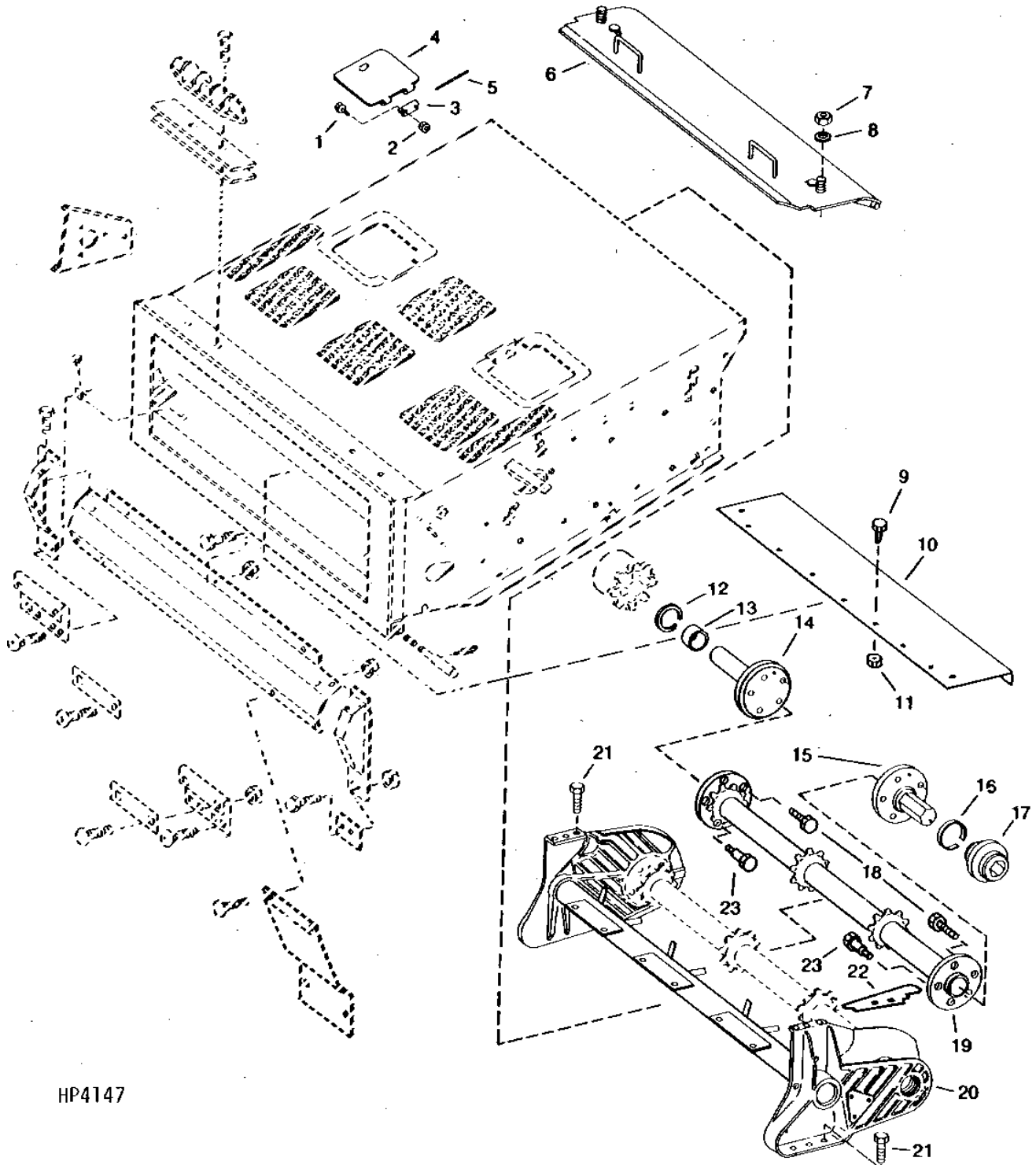
KEY	PART NO.	PART NAME	QTY	SERIAL NO.	REMARKS
1	19M7814	SCREW	4		
2	H93556	CLAMP	2		
3	H136013	MAT	2		
4	H133843	STRAP	4		
5	H141835	REINFORCEMENT	2		
6	H136015	MAT	4		
7	AH125514	FRAME	1		(SUB AH137831)
8	03M7192	BOLT	4		M10 X 30
9	H134896	ANGLE	2		
10	03M7190	BOLT	1		M10 X 20, (SUB H75985)
11	H123636	DEFLECTOR	1		
12	H141713	WEAR PLATE	2		(SUB H141713)
13	19M7784	SCREW	6		M10 X 20
14	14M7296	FLANGE NUT	6		M10
15	124424	SPRING	2		
16	H134140	BOLT	2		
17	H130826	PIN	2		
18	14M7296	FLANGE NUT	4		
19	H123637	DEFLECTOR	1		
20	H141713	WEAR PLATE	2		FIXED SPEED
21	H123638	EXTENSION	2		RICE OPT.- REQUIRES TWO MORE H134896
22	03M7191	BOLT	4		M10 X 25, REMOVED, THIS APPLICATION ONLY
23	03M7190	BOLT	4		M10 X 20
24	H87765	STRIPPER	2		(SUB H141713) REMOVED, THIS APPLICATION ONLY
	H141713	WEAR PLATE	2		
25	H123633	SHIELD	1		

1H15

FC: 5173

FEEDER HOUSE

FEEDER HOUSE FRAME
HP4147 -UN-01JAN94



HP4147

1H16

FC: 5173

FEEDER HOUSE

FEEDER HOUSE UPPER SHAFT - CONTINUED

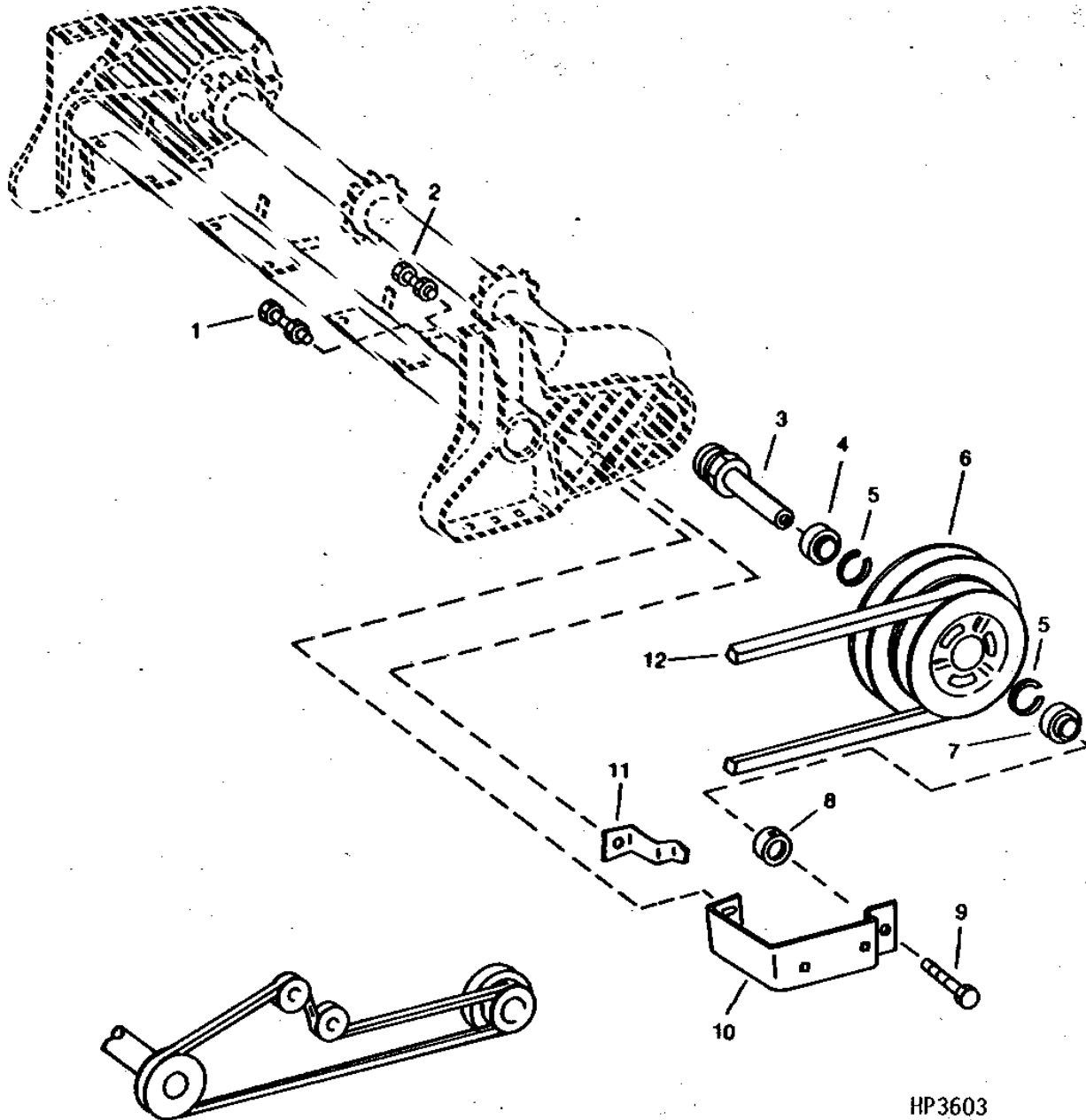
KEY	PART NO.	PART NAME	QTY	SERIAL NO.	REMARKS
1	03M7183	BOLT	4	M8 X 16	
2	14M7298	FLANGE NUT	4	M8	
3	H133989	HINGE	2		
4	H133990	DOOR	2		
5	H75985	DOWEL PIN	2		(6.88 IN.) (NO LONGER AVAILABLE) (MAKE FROM H76083)
6	AH126417	DOOR	1		
7	14M7401	LOCK NUT	2	M12	
8	24M7047	WASHER	2	13 X 24 X 2.500 MM	
9	03M7184	BOLT	7	M8 X 20	
10	H143456	WEAR PLATE	1		
11	14M7298	FLANGE NUT	7		
12	40M7090	SNAP RING	1		
13	AH109788	ROLLER BEARING	1		
14	H129681	SHAFT	1		
15	H129658	DRIVE SHAFT	1		
16	32184	SNAP RING	1		
17	AE46606	BEARING	1		
18	19M7938	CAP SCREW	6		
19	AH125196	SHAFT	1		
20	AH130870	TUBE	1		FIXED SPEED
	AH132830	TUBE	1		VARIABLE SPEED
21	19M7895	SCREW	12		
22	H133508	BRACKET	4		
23	H139837	BOLT	4		

1H17

FC: 5182

FEEDER HOUSE

UPPER DRIVE SHAFT, SHEAVE AND MOUNTINGS
(FIXED SPEED WITH REVERSER)
HP3603 -UN-01JAN94



1H18

FC: 5182

FEEDER HOUSE

**UPPER DRIVE SHAFT, SHEAVE AND MOUNTINGS - CONTINUED
(FIXED SPEED WITH REVERSER)**

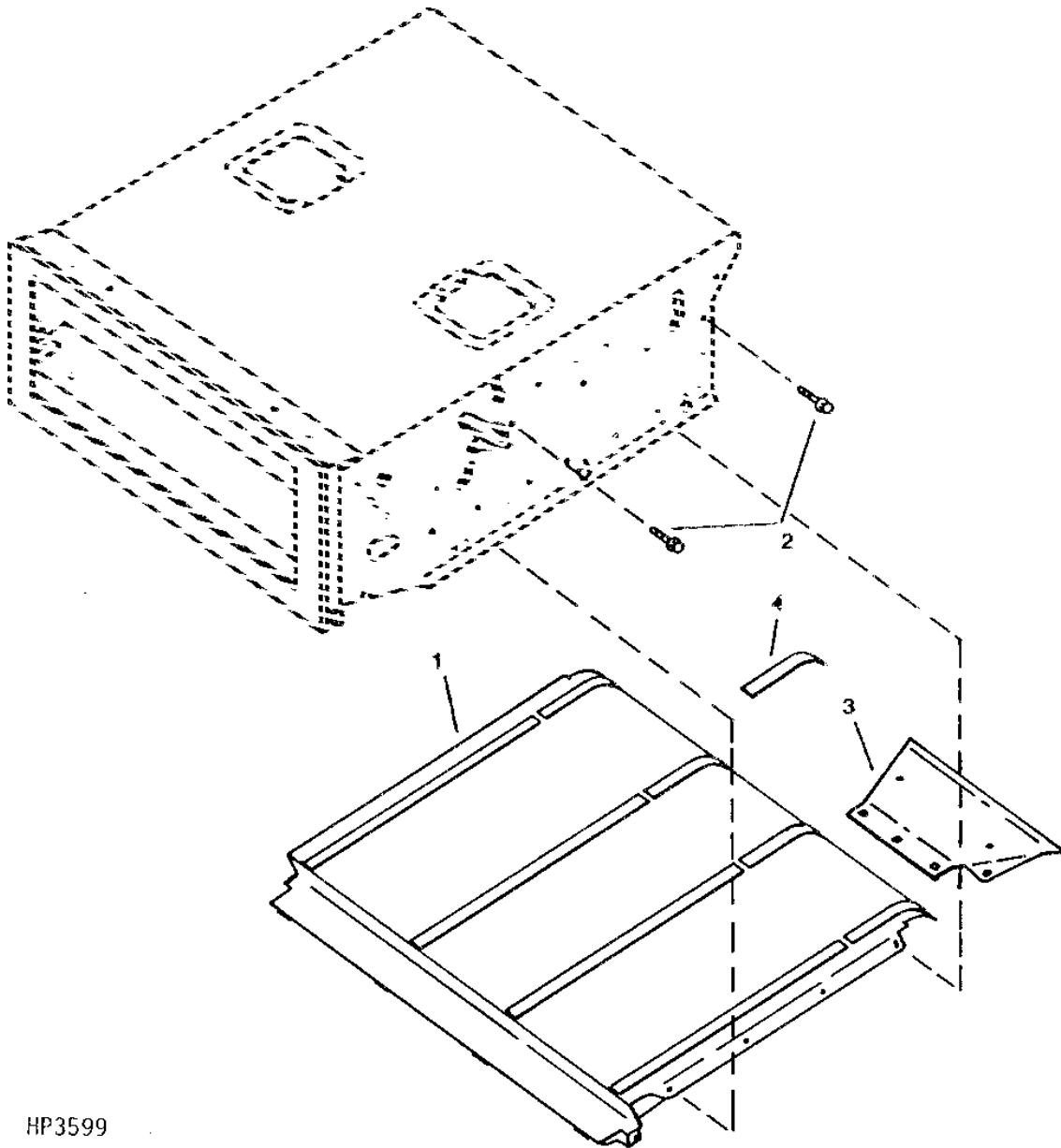
KEY	PART NO.	PART NAME	QTY	SERIAL NO.	REMARKS
1	19M7790	SCREW	1		M12 X 35
	14M7299	FLANGE NUT	1		M12
2	19M7789	SCREW	1		M12 X 30
	14M7299	FLANGE NUT	1		M12
3	AH125454	SHAFT	1		
4	JD9301	BALL BEARING	1		
5	P46874	SNAP RING	1		
6	H126261	SHEAVE	1		
7	JD9356	BALL BEARING	1		
8	JD8576	ECCENTRIC LOCKING COLLAR	1		
9	19M7790	SCREW	1		M12 X 35
10	H134088	STRAP	1		
11	H126302	SCRAPER	1		
12	H126345	BELT	1		

1H19

FC: 5172

FEEDER HOUSE

FEEDER HOUSE RETURN FLOOR
HP3599 -UN-01JAN94



HP3599

1H20

FC: 5172

FEEDER HOUSE

FEEDER HOUSE RETURN FLOOR - CONTINUED

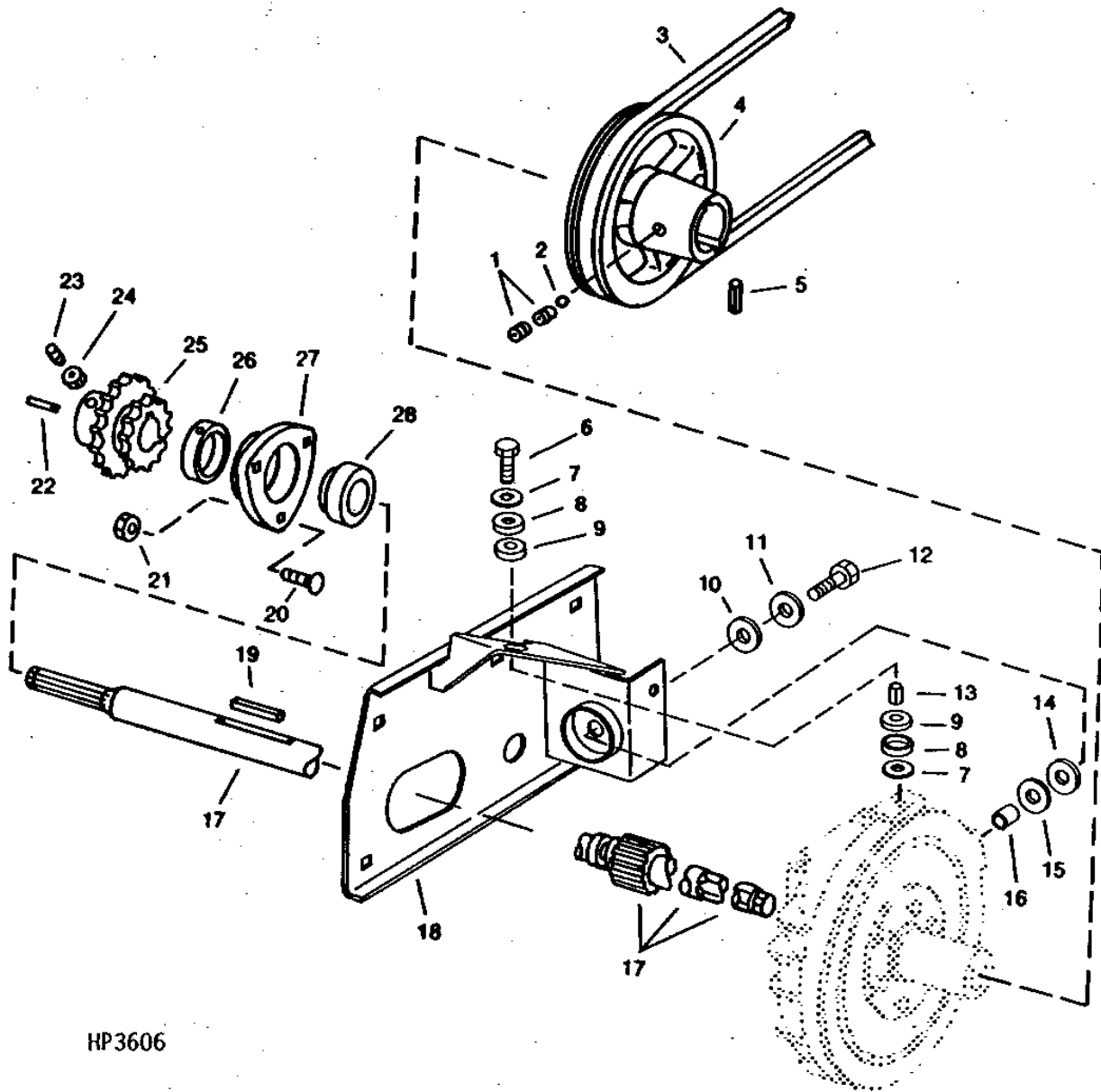
KEY	PART NO.	PART NAME	QTY	SERIAL NO.	REMARKS
1	AH131829	FLOOR	1	(SUB AH138963)	
2	19M7785	SCREW	10	M10 X 25	
3	H134887	STRIPPER	3		
4	H137296	STRIP	3	(SUB H144826)	

1H21

FC: 5182

FEEDER HOUSE

FRONT DRIVE SHAFT, SHEAVE AND MOUNTINGS
(FIXED SPEED WITH REVERSER)
HP3606 -UN-01JAN94



HP3606

1H22

FC: 5182

FEEDER HOUSE

**FRONT DRIVE SHAFT, SHEAVE AND MOUNTINGS - CONTINUED
(FIXED SPEED WITH REVERSER)**

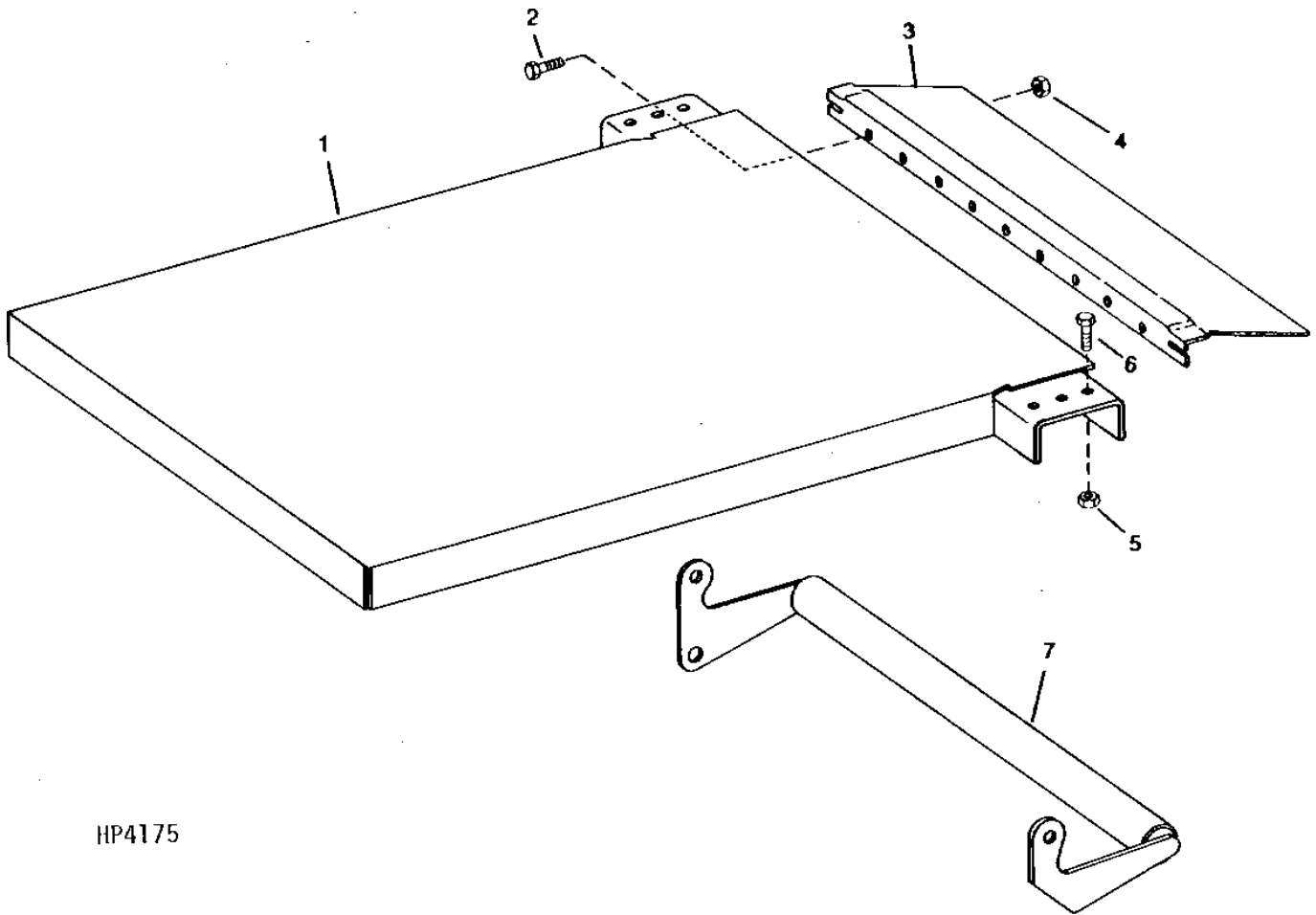
KEY	PART NO.	PART NAME	QTY	SERIAL NO.	REMARKS
1	22H775	SET SCREW	2		
2	H110922	BALL	1		5/16" X 1/4"
3	H126345	BELT	1		
4	H108889	SHEAVE	1		
5	34H305	SPRING PIN	1		
6	19H1863	CAP SCREW	1		5/8" X 3"
7	P50456	WASHER	2		
8	H80197	BUSHING	2		(SUB H148132)
9	H78856	RETAINER	2		(SUB H148132)
	H148132	BUSHING	2		
10	T55761	SUPPORT	1		
11	R20136	WASHER	1		
12	19H1950	CAP SCREW	1		5/8" X 3-3/4"
13	H85482	BUSHING	1		(SUB H148134)
	H148134	SPACER	1		
14	R62502	SUPPORT	1		
15	H97410	WASHER	1		
16	H95417	SPACER	1		
17	AH97642	SHAFT	1		
18	AH130175	SUPPORT	1		(SUB AH139919)
19	KEY	1		
20	03M7192	BOLT	3		M10 X 30
21	14M7296	FLANGE NUT	3		
22	M73000	SHAFT KEY	1		
23	H138435	SET SCREW	2		M10 X 25
24	14M7274	NUT	2		M10
25	AH125782	CHAIN SPROCKET	1		
26	JD9201	ECCENTRIC LOCKING COLLAR	1		
27	H93927	HOUSING	1		
28	JD9202	BALL BEARING	1		

1H23

FC: 5173

FEEDER HOUSE

FEEDER HOUSE FLOOR
HP4175 -UN-01JAN94



HP4175

1H24

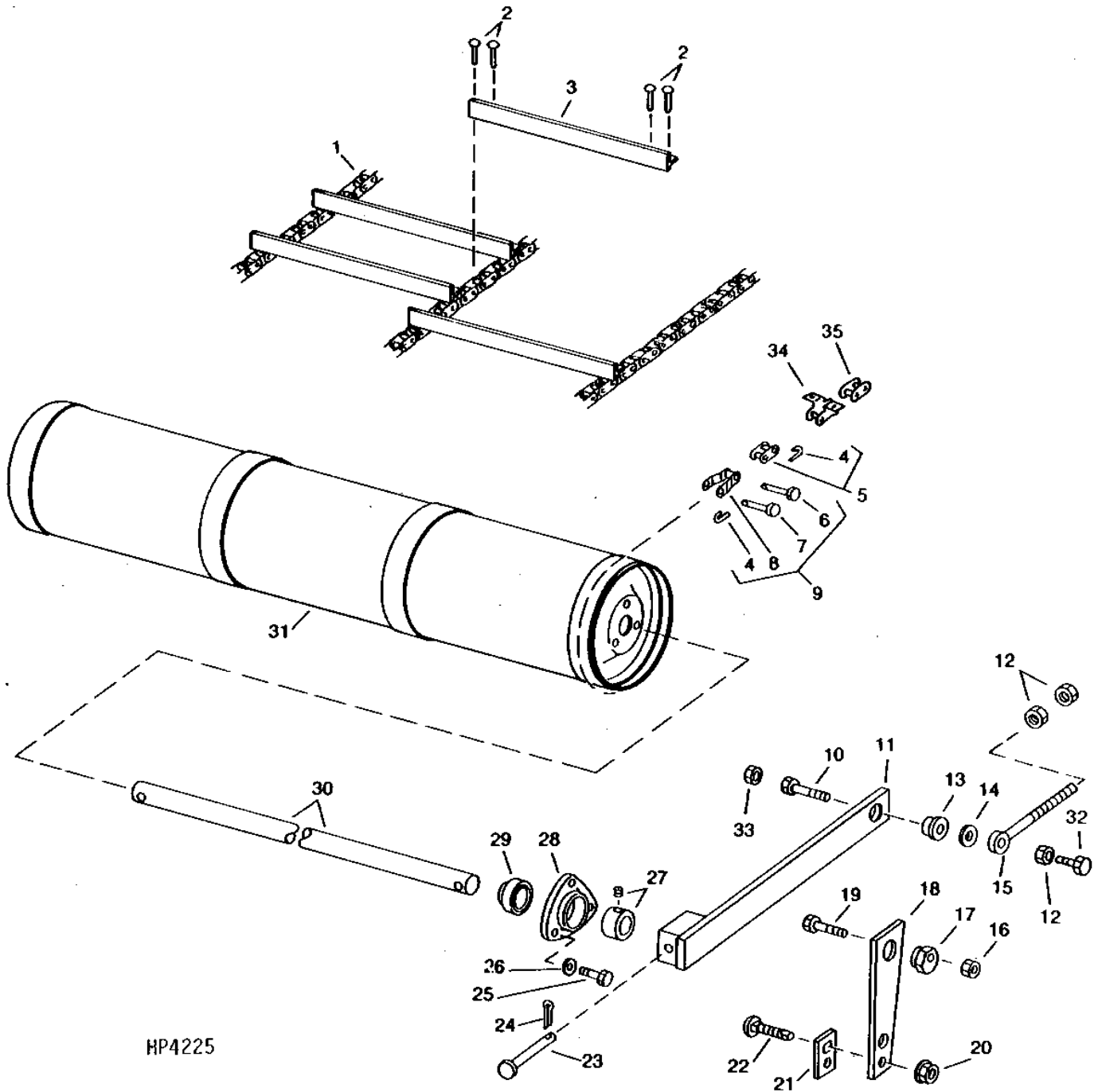
FC: 5173

FEEDER HOUSE

FEEDER HOUSE FLOOR - CONTINUED

KEY	PART NO.	PART NAME	QTY	SERIAL NO.	REMARKS
1	AH128073	FLOOR	1	-640400	
	AH137733	FLOOR	1	640401-	
2	03M7190	BOLT	8		M10 X 20
3	H131452	SEAL	1		
4	14M7296	FLANGE NUT	8		M10
5	19M7895	SCREW	6		M20 X 50
6	14M7300	FLANGE NUT	6		M20
7	19M7789	SCREW	20		M12 X 30
8	14M7299	FLANGE NUT	20		M12
9	AH128239	SUPPORT	1		(SUB AH140113)
	AH140113	SUPPORT	1		
10	AH141780	SUPPORT	1	640401-	
11	AH141782	ARM	1	640401-	
12	AH141781	ARM	1	640401-	
13	H97322	CAM	1	640401-	
14	14M7299	FLANGE NUT	4	640401-	M12
15	19M7790	SCREW	1	640401-	M12 X 35
16	AH131303	PAN	1		
17	19M7865	SCREW	2		M8 X 16
18	14M7298	FLANGE NUT	2		M8
19	19M7784	SCREW	2		M10 X 20
20	AH89557	CLIP	1		
21	14M7296	FLANGE NUT	2		M10

FEEDER CONVEYOR IDLER SHAFT, DRUM AND CHAIN
HP4225 -UN-01JAN94

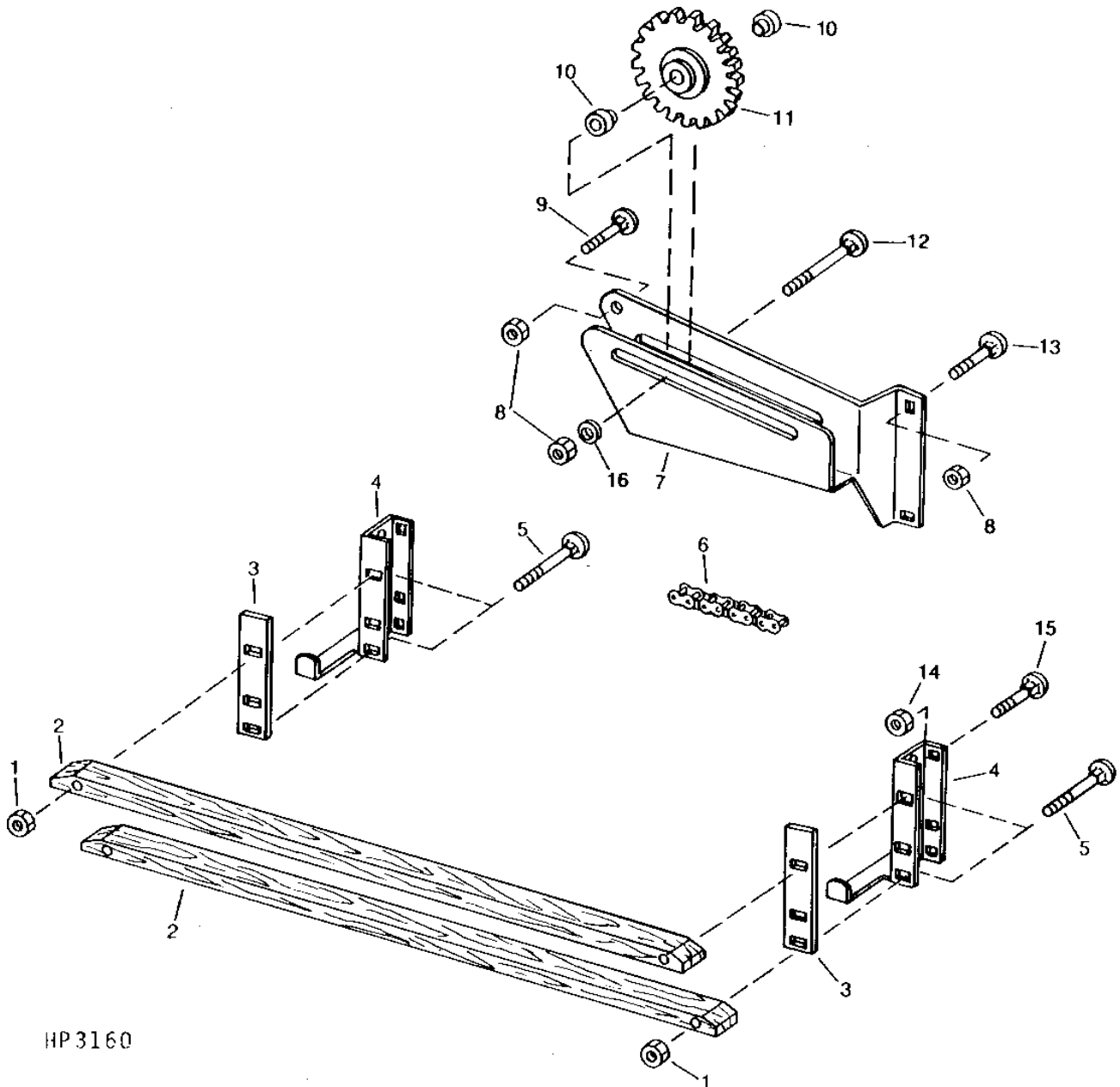


HP4225

FEEDER CONVEYOR IDLER SHAFT, DRUM AND CHAIN - CONTINUED

KEY	PART NO.	PART NAME	QTY	SERIAL NO.	REMARKS
1	AH136530	CHAIN LINK	1		(SUB AH137632) NARROW SPACED (49 SLATS)
	AH137592	CONVEYOR	1	635401-	(SUB AH138187) WIDE SPACED (34 SLATS)
2	16H1083	RIVET	196		5/16" X 5/8"
3	H134002	SLAT	49		
4	H84026	HOOK	6		
5	AH84241	CHAIN LINK	5		(SUB AH137630) COUPLER
6	PIN	3		
7	PIN	3		
8	LINK CHAIN	3		
9	AH137631	CHAIN LINK	3		
10	19M7825	SCREW	2		M16 X 65
	C10232	LINK	1		
11	AH126091	ARM	2		
12	14M7291	FLANGE NUT	6		M16
13	H131087	BUSHING	1		
14	24H1368	WASHER	1		21/32" X 1-5/16" X 0.090"
15	H131088	EYEBOLT	1		
16	14M7275	NUT	1		M12
17	H97322	CAM	1		
18	H84942	PLATE	1		
19	03M7202	BOLT	1		M12 X 50
20	14M7299	FLANGE NUT	1		M12
21	H144201	ADJUSTING STRAP	1		
22	H131090	BOLT	1		
23	45M7040	PIN	1		10 X 60 MM
24	11M7059	COTTER PIN	1		3.200 X 20 MM
25	19H1731	CAP SCREW	6		3/8" X 1"
26	12H304	LOCK WASHER	6		3/8"
27	JD8551	ECCENTRIC LOCKING COLLAR	2		
28	H97919	HOUSING	2		
29	JD8552	BALL BEARING	2		
30	H123734	SHAFT	1		FIXED DRIVE
31	AH133494	DRUM	1		(SUB AH142394)
32	19M7399	CAP SCREW	2		
33	W39621	NUT	2		
34	AH137632	CHAIN LINK	1		
	H84026	HOOK	1		
35	C10232	LINK	1		

FEEDER CONVEYOR DRIVE CHAIN, TIGHTENER AND GUIDES
HP3160 -UN-01JAN94

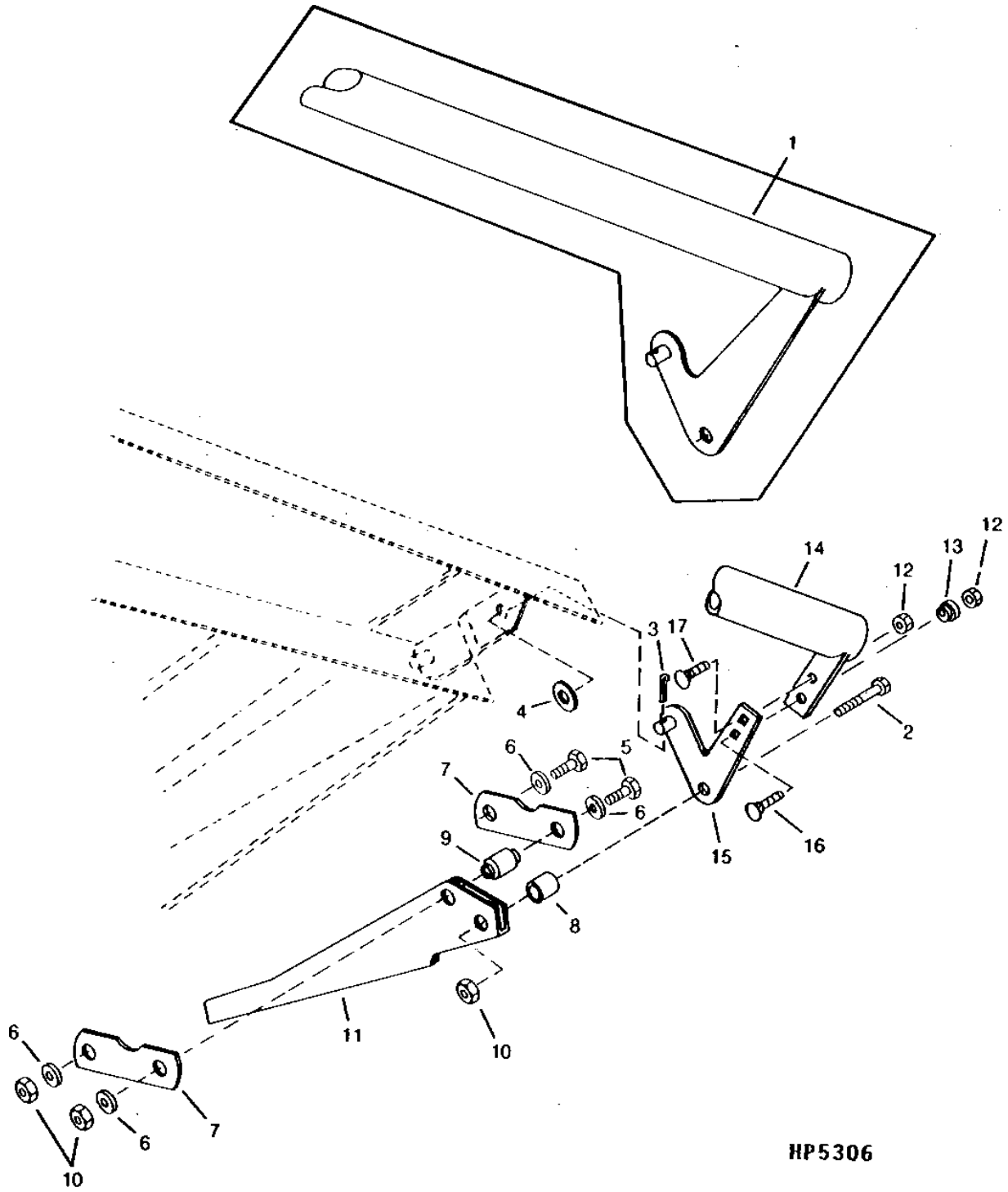


HP3160

FEEDER CONVEYOR DRIVE CHAIN, TIGHTENER AND GUIDES - CONTINUED

KEY	PART NO.	PART NAME	QTY	SERIAL NO.	REMARKS
1	14M7400	LOCK NUT	4	M10	
2	H130530	GUIDE	2		
3	H134735	PLATE	2		
4	H134734	BRACKET	2		
5	03M7233	BOLT	4	M10 X 70	
6	ROLLER CHAIN	1		ROLLER, TYPE 60, 19 MM (3/4") 223 LINKS ASSEMBLE FROM (4) AB1288H AND AB1289H. (SUB H141500)
7	H130528	BRACKET	1		
8	14M7299	FLANGE NUT	3	M12	
9	19M7789	SCREW	1	M12 X 30	
10	H130529	SPACER	2		
11	AE27909	CHAIN SPROCKET	1		
12	03M7226	BOLT	1	M12 X 70	
13	03M7197	BOLT	1	M12 X 25	
14	14M7296	FLANGE NUT	4		
15	03M7190	BOLT	4	M10 X 20	
16	24H1226	WASHER	1		

FEED PLATE SUPPORT
HP5306 -UN-01JAN94



HP5306

116

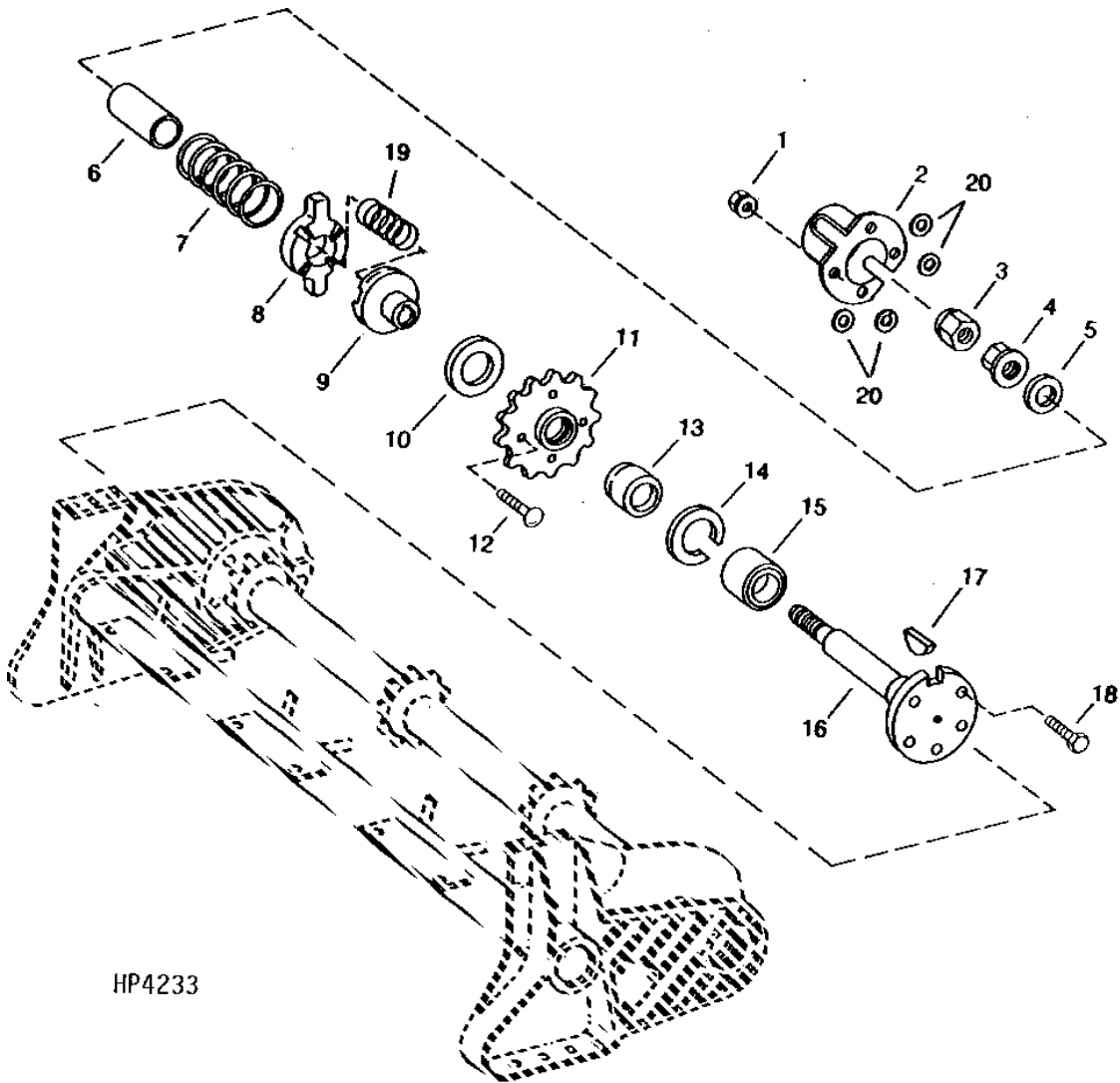
FC: 5172

FEEDER HOUSE

FEED PLATE SUPPORT - CONTINUED

KEY	PART NO.	PART NAME	QTY	SERIAL NO.	REMARKS
1	AH128239	SUPPORT	1	(SUB AH140113)	
2	19M8291	SCREW	1	M8 X 35	
3	11M7028	COTTER PIN	2	5 X 32 MM	
4	24M7053	WASHER	2	17 X 30 X 3 MM	
5	19M8318	SCREW	2	M8 X 45	
6	24M7207	WASHER	4	8.400 X 24 X 2 MM	
7	H136144	ADJUSTING STRAP	2		
8	H133060	SLEEVE	1		
9	H135476	BUSHING	1	(SUB H132988)	
10	14M7396	LOCK NUT	3	M8	
11	H132986	HANDLE	1		
12	14M7401	LOCK NUT	2	M12	
13	H97322	CAM	1	640401-	
14	AH141780	SUPPORT	1	640401-	
15	AH141781	ARM	1	640401-	
16	03M7198	BOLT	1	640401-	M12 X 30
17	03M7200	BOLT	1	640401-	M12 X 40

FEEDER HOUSE SLIP CLUTCH
HP4233 -UN-01JAN94



HP4233

FEEDER HOUSE SLIP CLUTCH - CONTINUED

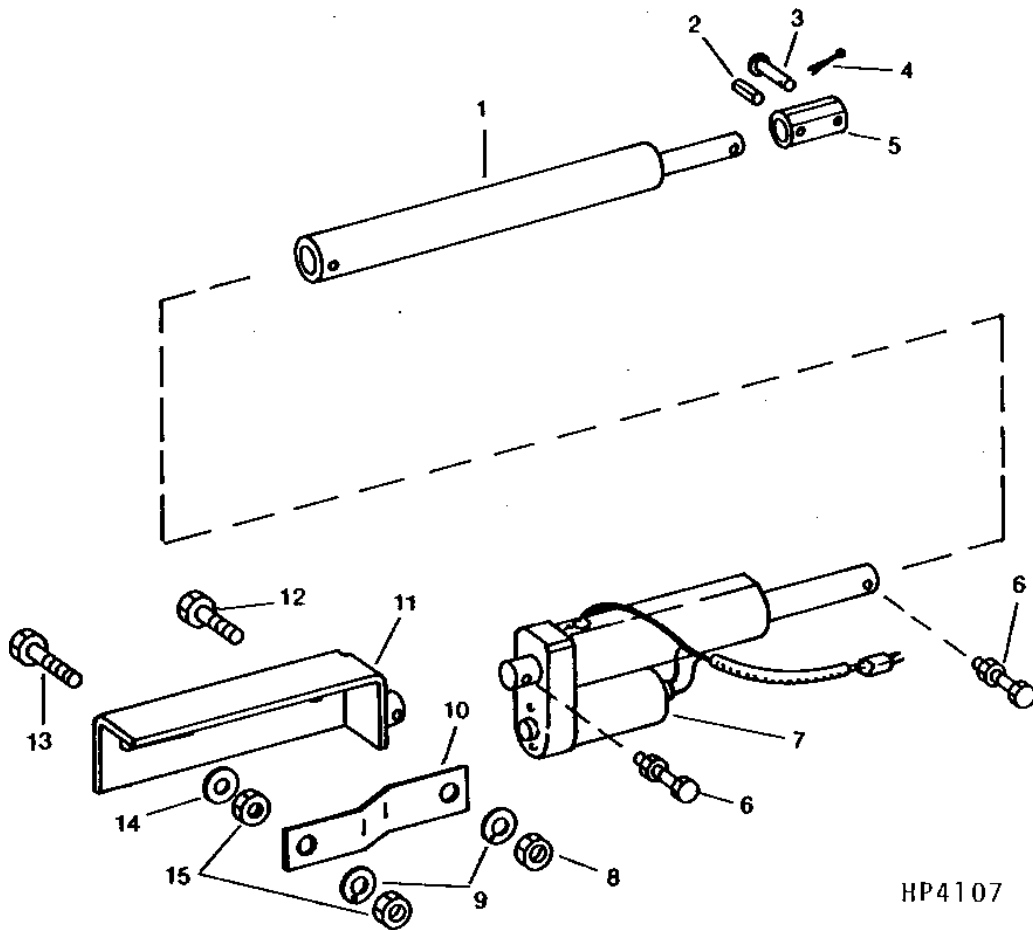
KEY	PART NO.	PART NAME	QTY	SERIAL NO.	REMARKS
1	14M7299	FLANGE NUT	4	M12	
2	H119710	PLANET PINION CARRIER	1		
3	A31870	LOCK NUT	1		
4	14M7300	FLANGE NUT	1	M20	
5	24M7242	WASHER	1	21.400 X 42 X 5 MM	
6	H129659	SPACER	1		
7	H102497	SPRING	1		
8	H101677	JAW	1		
9	H105590	HUB	1		
10	H99303	WASHER	1		
11	AH116232	CHAIN SPROCKET	1		
12	03M7200	BOLT	4		
13	H130571	SPACER	1		
14	40M7090	SNAP RING	1		
15	AH109788	ROLLER BEARING	1		
16	H129681	SHAFT	1		
17	26H103	SHAFT KEY	1		
18	19M7938	CAP SCREW	3	M10 X 20	
19	H109855	SPRING	1		
20	24H1341	WASHER	4	17/32" X 15/16" X 0.060"	

119

FC: 5276

FEEDER HOUSE

REVERSER ACTUATOR
HP4107 -UN-01JAN94



HP4107

1110

FC: 5276

FEEDER HOUSE

REVERSER ACTUATOR - CONTINUED

KEY	PART NO.	PART NAME	QTY	SERIAL NO.	REMARKS
1	AH200412	SPRING ASSEMBLY	1		
2	34H294	SPRING PIN	1	7/32" X 3/4"	
3	H35481	PIN	1	4.928 X 25.400 MM (0.194" X 1")	
4	11H267	COTTER PIN	1	1/16" X 3/4", (SUB 11M6686)	
	11M6686	COTTER PIN	1	1.600 X 25 MM (0.063" X 0.984")	
5	AH200413	COUPLING	1		
6	19H1898	CAP SCREW	2	1/4" X 1-1/2"	
	M40333	LOCK NUT	2	6.350 MM (1/4")	
7	AH200643	ACTUATOR	1		
8	14H809	NUT	1	1/2", (SUB 14H1040)	
	14H1040	NUT	1	1/2"	
9	12H301	LOCK WASHER	3	1/2"	
10	AH200779	PLATE	1		
11	AH200429	BRACKET	1		
12	19H1815	CAP SCREW	1	1/2" X 1-1/4"	
13	19H1777	CAP SCREW	1	1/2" X 1-3/4"	
14	24H1111	WASHER	1	17/32" X 1-1/16" X 0.090"	

FC: 0000

FEEDER HOUSE

MEMORANDA

FC: 0000

SEPARATOR

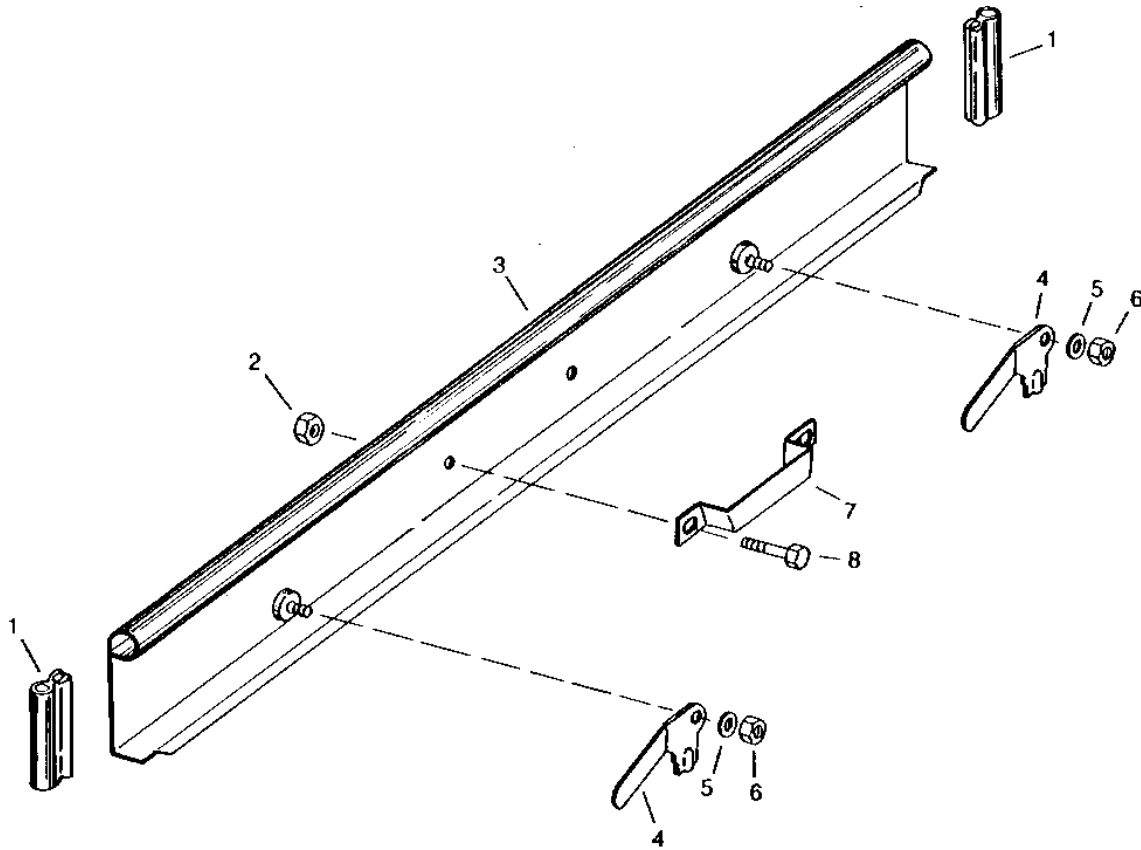
MEMORANDA

2A18

FC: 5811

SEPARATOR

CONVEYOR AUGER CLEANOUT DOOR, HANDLE AND LATCHES
HP3496 -UN-01JAN94



HP3496

2A19

FC: 5811

SEPARATOR

CONVEYOR AUGER CLEANOUT DOOR, HANDLE AND LATCHES - CONTINUED

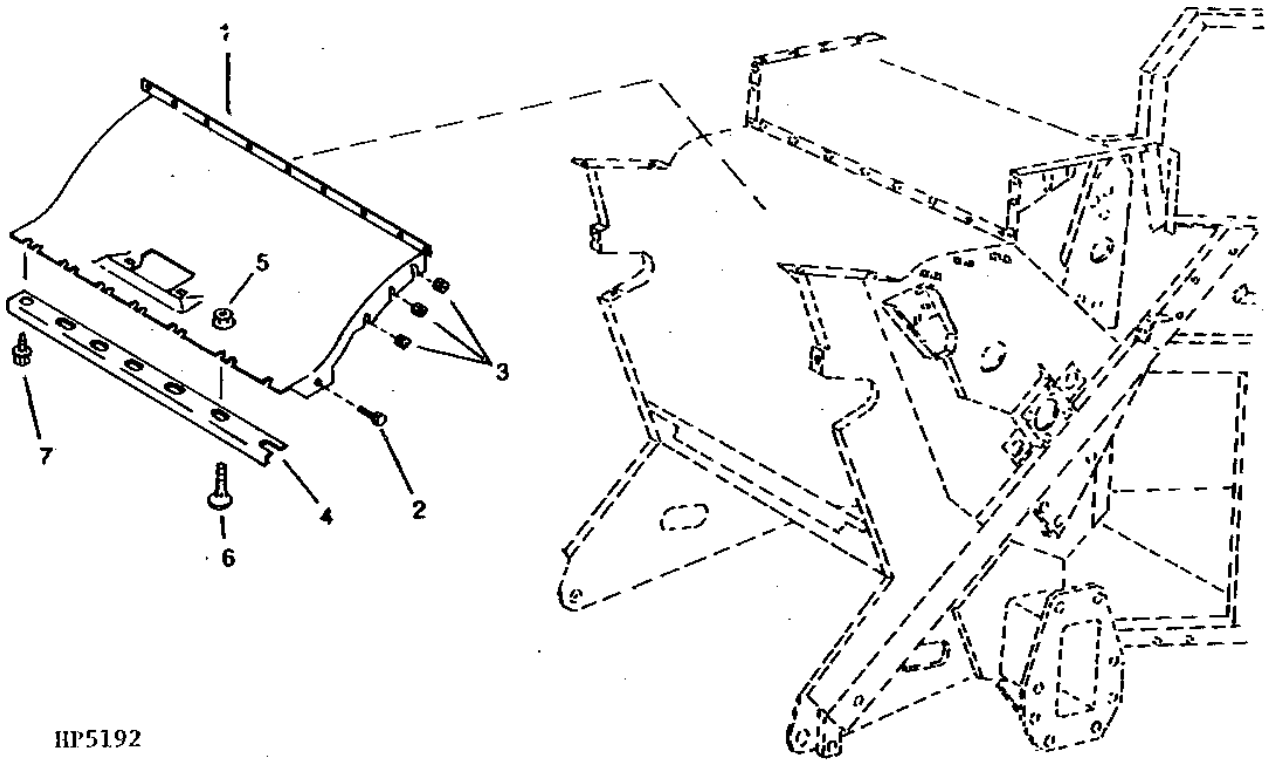
KEY	PART NO.	PART NAME	QTY	SERIAL NO.	REMARKS
1	H131108	ISOLATOR	2		
2	14M7298	FLANGE NUT	2	M8	
3	AH126119	DOOR	1		
4	H127532	HANDLE	2		
5	24M7207	WASHER	2	8.400 X 24 X 2 MM	
6	14M7396	LOCK NUT	2	M8	
7	H85184	HANDLE	1		
8	19M7865	SCREW	2	M8 X 16	

2A20

FC: 5772

SEPARATOR

THRESHING CYLINDER COVER
HP5192 -UN-01JAN94



HP5192

2A21

FC: 5772

SEPARATOR

THRESHING CYLINDER COVER - CONTINUED

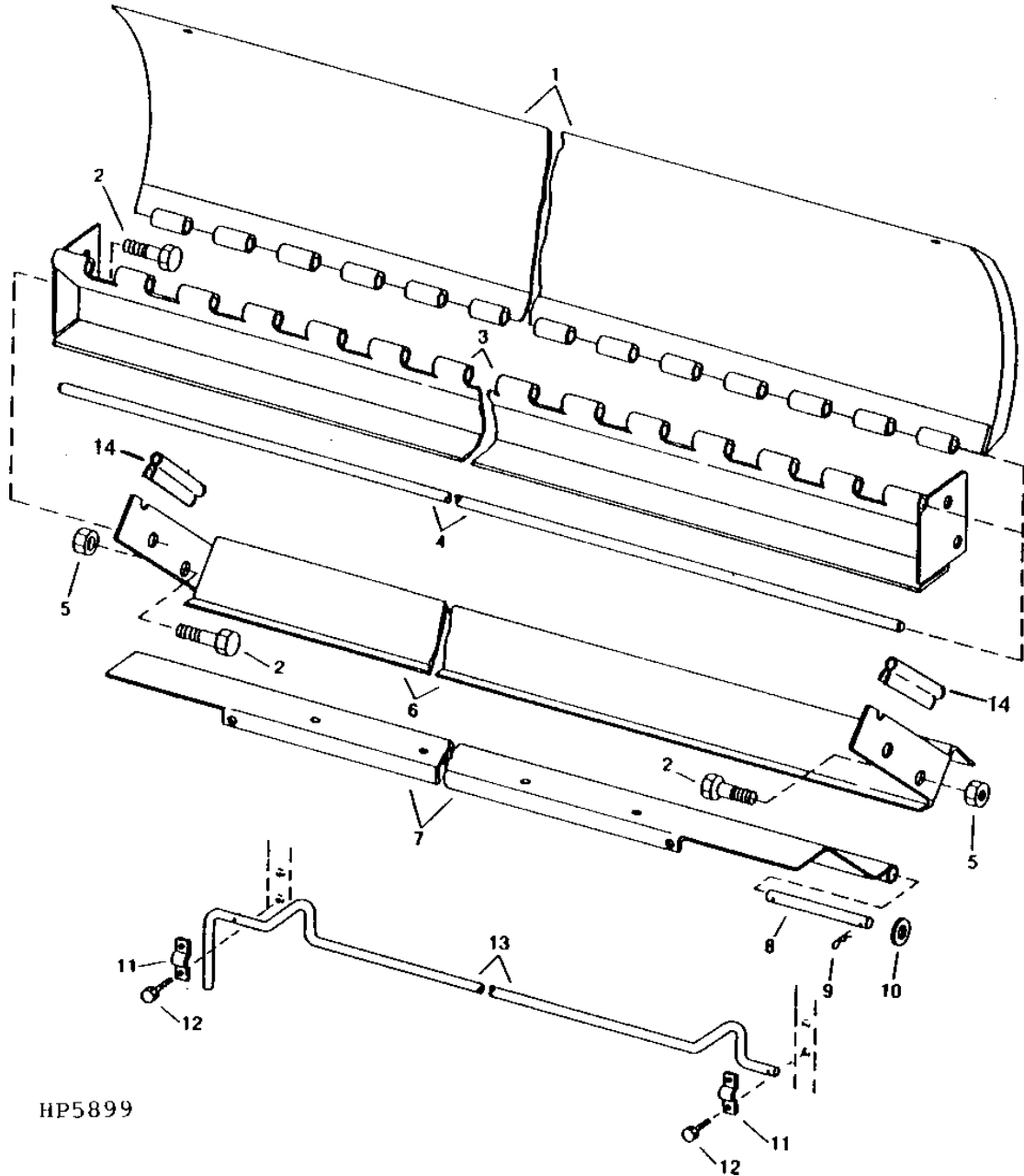
KEY	PART NO.	PART NAME	QTY	SERIAL NO.	REMARKS
1	H133145	COVER	1	-640400	
	AH137235	COVER	1	640401-645400	(SUB AH139445)
	AH139445	COVER	1		
	H147845	COVER	1		
2	19M7785	SCREW	2		M10 X 25
3	14M7296	FLANGE NUT	8		M10
4	H134168	SEAL	1		
5	14M7298	FLANGE NUT	6		M8
6	03M7183	BOLT	6		M8 X 16
7	37M7092	SCREW	1		M8 X 16

2A22

FC: 5777

SEPARATOR

SEPARATOR / FEEDER HOUSE SEAL, STONE TRAP AND DOOR
HP5899 -UN-29NOV94



HP5899

2A23

FC: 5777

SEPARATOR

SEPARATOR / FEEDER HOUSE SEAL, STONE TRAP AND DOOR - CONTINUED

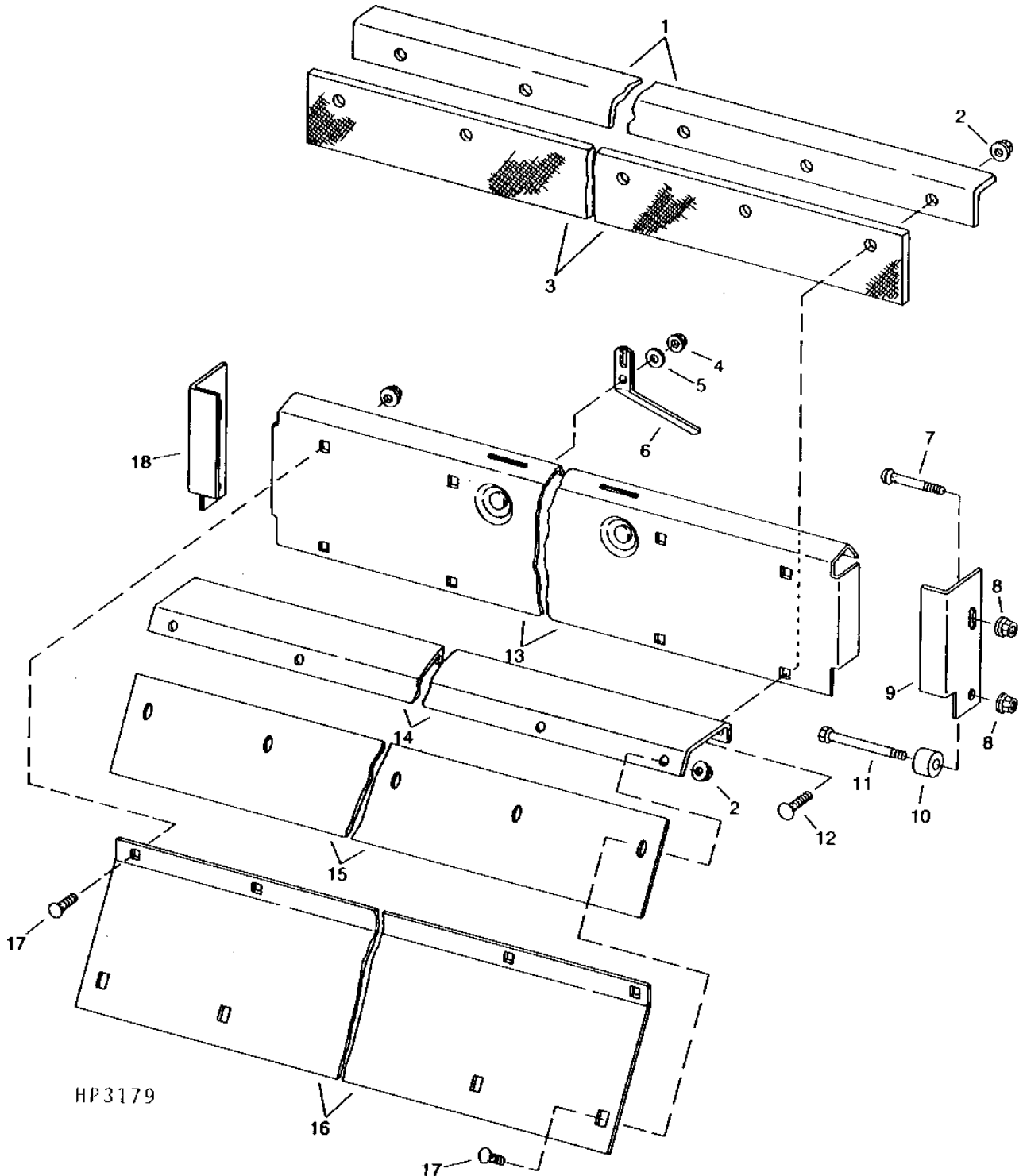
KEY	PART NO.	PART NAME	QTY	SERIAL NO.	REMARKS
1	AH120502	PLATE	1		
2	19M7812	SCREW	6		M10 X 100
3	AH130940	HINGE	1	-JUL91	(SUB AH139313)
	AH139313	HINGE	1		
4	H117953	PIN	1		1385 MM LEGNTH, (MAKE FROM H130057)
5	14M7296	FLANGE NUT	6		M10
6	H134853	DEFLECTOR	1		
7	H134335	DOOR	1		
8	H118068	PIN	2		19.050 X 260 MM (3/4" X 10.236") (SUB H148925)
	H148925	PIN	2		
9	11M7030	COTTER PIN	4		5 X 40 MM
10	24M7051	WASHER	2		21 X 37 X 3 MM
11	H134339	BRACKET	2		
12	37M7080	SCREW	4		M10 X 30
13	H134338	ROD	1		
14	H151068	SHIELD	2	MAY94-	

2A24

FC: 5652

SEPARATOR

CYLINDER DOOR
HP3179 -UN-01JAN94



HP3179

2A25

FC: 5652

SEPARATOR

CYLINDER DOOR - CONTINUED

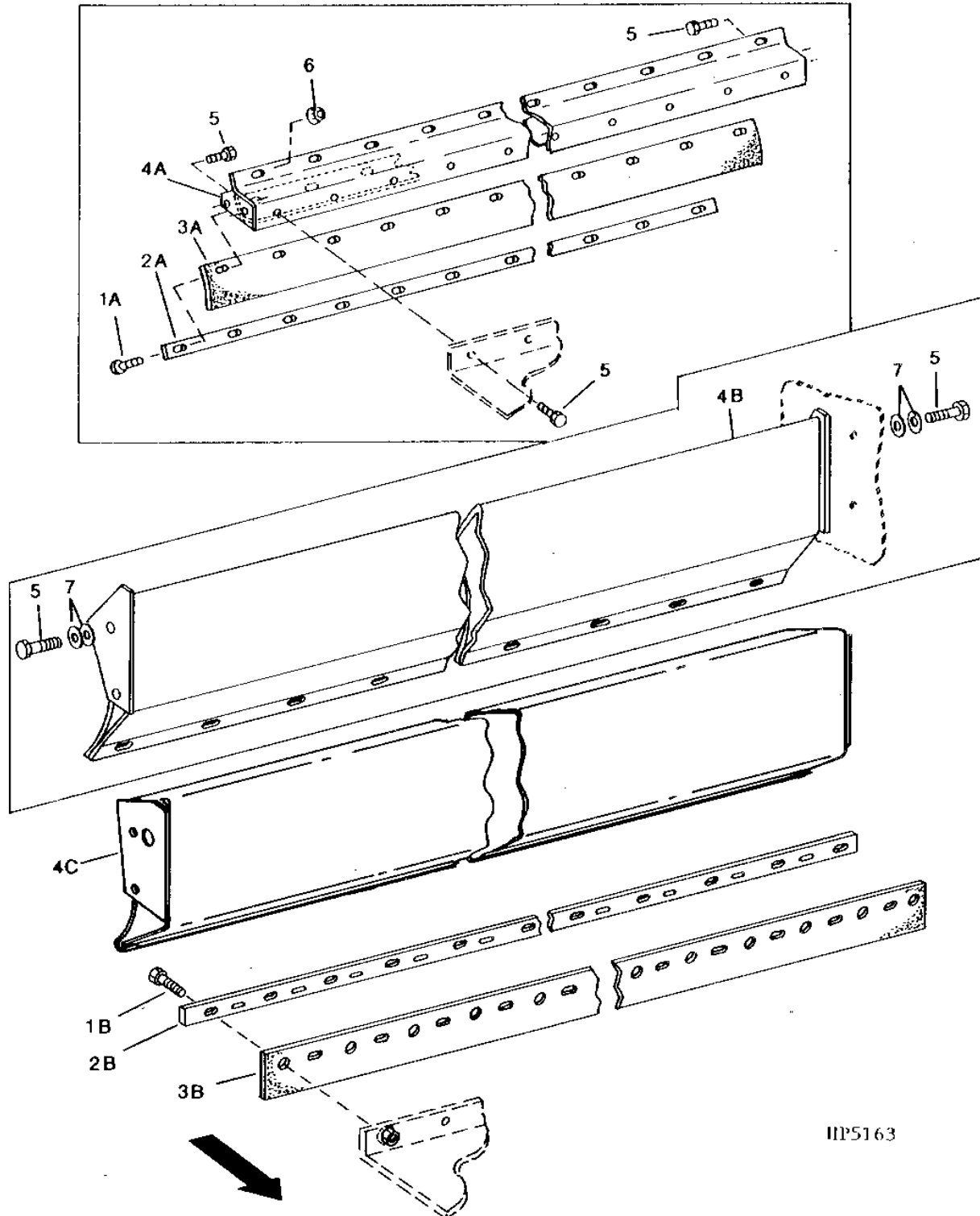
KEY	PART NO.	PART NAME	QTY	SERIAL NO.	REMARKS
1	H134160	SUPPORT	1	(SUB H148063)	
	H148063	SUPPORT	1		
2	14M7298	FLANGE NUT	24	M8	
3	H134157	SEAL	1	(SUB H148061)	
4	14M7396	LOCK NUT	2	M8	
5	24M7207	WASHER	2	8.400 X 24 X 2 MM	
6	H134654	HANDLE	2		
7	03M7247	BOLT	2	M10 X 90	
8	14M7296	FLANGE NUT	4	M10	
9	H134165	SUPPORT	1		
10	E50096	BUSHING	2		
11	19M7944	SCREW	2	M10 X 120	
12	03M7185	BOLT	8	M8 X 25	
13	AH130202	DOOR	1		
14	H134154	REINFORCEMENT	1		
15	H134163	SEAL	1		
16	H134151	ISOLATOR	1		
17	03M7183	BOLT	16	M8 X 16	
18	H134164	SUPPORT	1		

2B1

FC: 5779

SEPARATOR

CYLINDER SHEAR BAR
HP5163 -UN-01JAN94



HP5163

2B2

FC: 5779

SEPARATOR

CYLINDER SHEAR BAR - CONTINUED

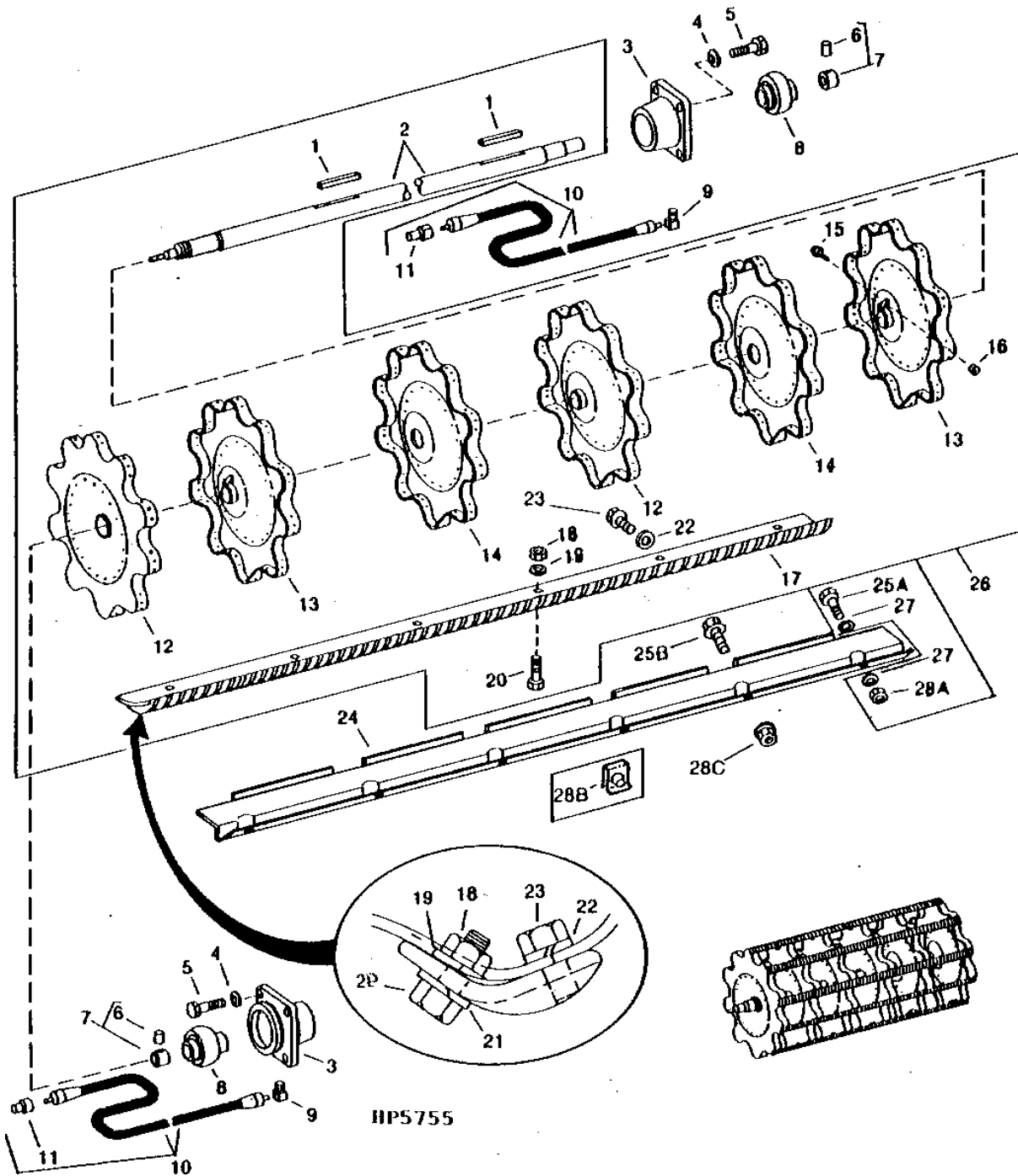
KEY	PART NO.	PART NAME	QTY	SERIAL NO.	REMARKS
1A	37M7096	SCREW	11	-640400	M8 X 35
1B	19M7867	SCREW	6	640401-	
2A	H77514	STRIP	1	-640400	
2B	H143389	STRIP	1	640401-	
3A	H77512	SEAL	1	-640400	
3B	H143387	SEAL	1	640401-	
4A	AH126295	TIE BAR	1	-640400	
4B	AH137233	STRIPPER	1	640401-	
4C	AH141618	STRIPPER	1		
5	37M7080	SCREW	10	-640100	M10 X 30
	37M7080	SCREW	4	640401-	
6	14M7298	FLANGE NUT	6	-640400	M8
7	24M7101	WASHER	4		11 X 34 X 3 MM

2B3

FC: 5771

SEPARATOR

RASP BAR THRESHING CYLINDER
HP5755 -UN-01JAN94



2B4

FC: 5771

SEPARATOR

RASP BAR THRESHING CYLINDER - CONTINUED

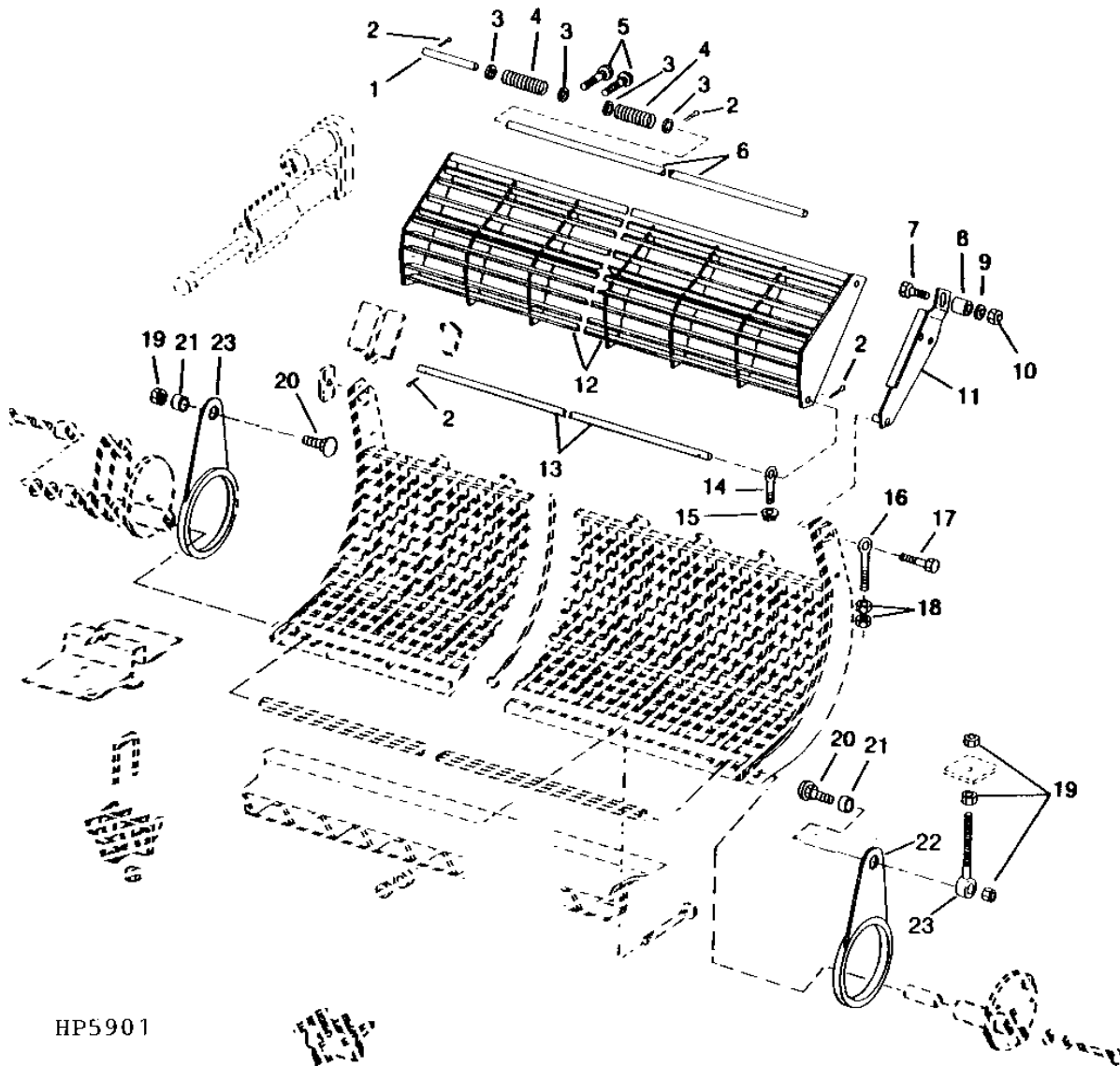
KEY	PART NO.	PART NAME	QTY	SERIAL NO.	REMARKS
1	SHAFT KEY	2		(CUT FROM H64376) IN AH64587 KEY STOCK KIT
2	H140043	SHAFT	1		DUAL RANGE
	H127972	SHAFT	1	-640400	(SUB H145970) SINGLE RANGE
	H145970	SHAFT	1		SINGLE RANGE
3	H99149	HOUSING	2		
4	12H304	LOCK WASHER	8		3/8"
5	19H1732	CAP SCREW	8	-640400	3/8" X 1-1/4"
	19M7785	SCREW	8	640401-	
6	SET SCREW	2		
7	JD10342	ECCENTRIC LOCKING COLLAR	2		
8	JD10343	BALL BEARING	2		
9	JD7845	LUBRICATION FITTING	2		
10	AH121009	HOSE	2		1/8" X 910 MM (35-3/4") X 1/8"
11	JD7759	LUBRICATION FITTING	2		
12	AH126720	THRESHING CYLINDER HEAD	2		WITH PILOT HUB
13	AH126719	THRESHING CYLINDER HEAD	2		WITH KEYED HUB
14	H131878	THRESHING CYLINDER HEAD	2		WITH NO HUB
15	19H1820	CAP SCREW	2		1/2" X 3"
	12H301	LOCK WASHER	2		1/2"
16	14H809	NUT	2	-MAR93	1/2", (SUB 14H1040)
	14H1040	NUT	2		1/2"
17	AH134145	RASP BAR	1		LEFT-HAND (PACKAGE OF FIVE)(CHROMED)
	AH134144	RASP BAR	1		RIGHT-HAND (PACKAGE OF FIVE)(CHROMED)
	AH139433	RASP BAR	1		LEFT-HAND (PACKAGE OF FIVE)(BLACK)
	AH139432	RASP BAR	1		RIGHT-HAND (PACKAGE OF FIVE)(BLACK)
	AH139768	RASP BAR	1		SMOOTH RASP BAR (PACKAGE OF TWO)
18	H99923	LOCK NUT	60		9.525 MM, WITH RASP BAR
19	24H1308	WASHER	60		WITH RASP BAR
20	19H3239	CAP SCREW	60		3/8" X 1-1/4"
21	24H1303	WASHER	2		13/32" X 11/16" X 0.065"
22	12H304	LOCK WASHER	60		3/8"
23	19H2554	CAP SCREW	60	-MAR92	9.525 X 15.875 MM (3/8" X 5/8") (SUB H89853)
	H89853	CAP SCREW	60	-AUG94	9.525 X 15.875 MM (3/8" X 5/8") (SUB 19H2554)
	19H2554	CAP SCREW	60		9.525 X 15.875 MM (3/8" X 5/8")
24	H135988	DEFLECTOR	10	-640400	(SUB H144037)
	H144037	DEFLECTOR	10		
25A	19M7785	SCREW	60	-640400	M10 X 25
25B	H145773	SELF-LOCKING SCREW	60	640401-	M10 X 35
26	AH134658	RASP-BAR CYLINDER	1	-640400	DUAL RANGE WITH CHROMED BARS
	AH144544	RASP-BAR CYLINDER	1	SEPT94-	DUAL RANGE WITH BLACK BARS
	AH127611	RASP-BAR CYLINDER	1	640401-645400	SINGLE RANGE WITH CHROMED BARS AND FILLER PLATES
	AH140131	RASP-BAR CYLINDER	1	645401-	SINGLE RANGE WITH CHROMED BARS
	AH144545	RASP-BAR CYLINDER	1	SEPT93-	SINGLE RANGE WITH BLACK BARS
27	24H1308	WASHER	120	-640400	13/32" X 1" X 0.134", WITH DEFLECTOR
28A	H99923	LOCK NUT	120	-640400	WITH DEFLECTOR
28B	H143834	NUT	120	640401-JAN91	WITH DEFLECTOR
	H146457	NUT	120	JAN91-	
28C	14M7400	LOCK NUT	120		
..	AH140417	PACKAGE OF PARTS	1		INCLUDES (60) H145773 CAP SCREWS,(60) H146457 CLIP NUTS AND (60) 24H1308 WASHERS
..	AH146116	KIT	1		(INCLUDES (70) H89853, (70) H99923, (70) 12H304, (70) 19H3239 AND (70) 24H1308)

2B5

FC: 5773

SEPARATOR

RASP BAR CONCAVE AND GRATE
HP5901 -UN-29NOV94



HP5901

2B6

FC: 5773

SEPARATOR

RASP BAR CONCAVE AND GRATE - CONTINUED

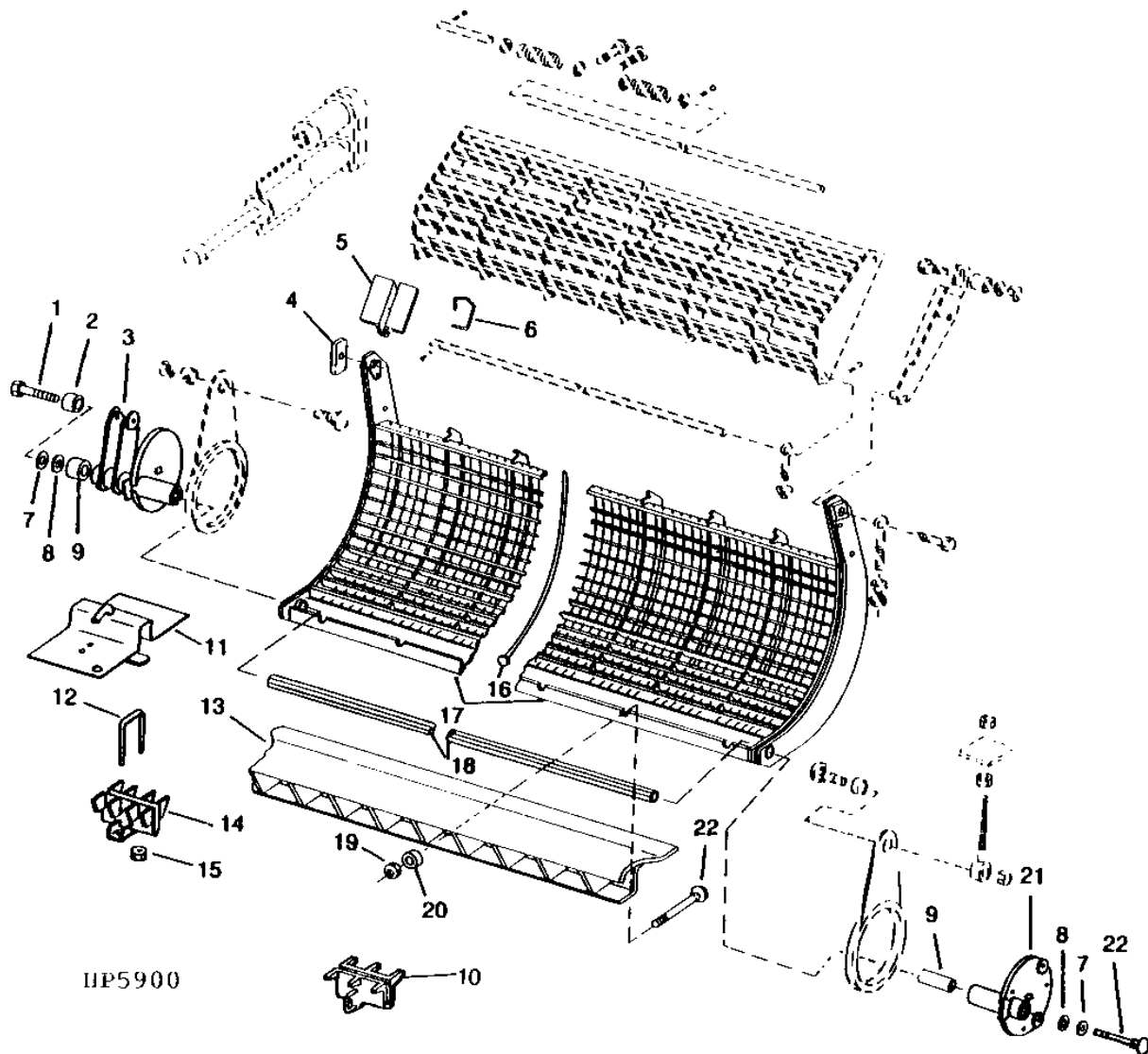
KEY	PART NO.	PART NAME	QTY	SERIAL NO.	REMARKS
1	H134230	PIN	1		
2	11M7028	COTTER PIN	4		5 X 32 MM
3	24M7051	WASHER	4		21 X 37 X 3 MM
4	H134232	SPRING	2		
5	03M7218	BOLT	2		M10 X 80
6	H134229	PIN	1		
7	19M7790	SCREW	1	-640400	M12 X 35, R.H.
	19M7791	SCREW	1	640401-	M12 X 40, R.H.
	19M7813	SCREW	1	-640400	M12 X 45, L.H.
	19M8306	SCREW	1	640401-	M12 X 50, L.H.
8	E70736	BUSHING	2		
9	12H301	LOCK WASHER	2		1/2"
10	14M7299	FLANGE NUT	2		M12
11	AH130231	SUPPORT	1		L.H.
	AH130232	SUPPORT	1		R.H.
12	AH134917	GRATE	1		
	AH134917	GRATE	1		
	AH134916	GRATE	1		
13	H131002	PIN	1		
14	H127006	EYEBOLT	2	-640400	
	H144742	EYEBOLT	2	640401-	
15	14M7400	LOCK NUT	2		M10
16	H115179	EYEBOLT	2		
17	19M7597	CAP SCREW	2		M20 X 50
18	14M7276	NUT	4		M16
19	14M7300	FLANGE NUT	4		M20
20	H137203	BOLT	2		
21	H137204	BUSHING	2		
22	H147484	LINK	2		
23	H119642	EYEBOLT	1		

2B7

FC: 5773

SEPARATOR

RASP BAR CONCAVE AND GRATE
HP5900 -UN-29NOV94



2B8

FC: 5773

SEPARATOR

RASP BAR CONCAVE AND GRATE - CONTINUED

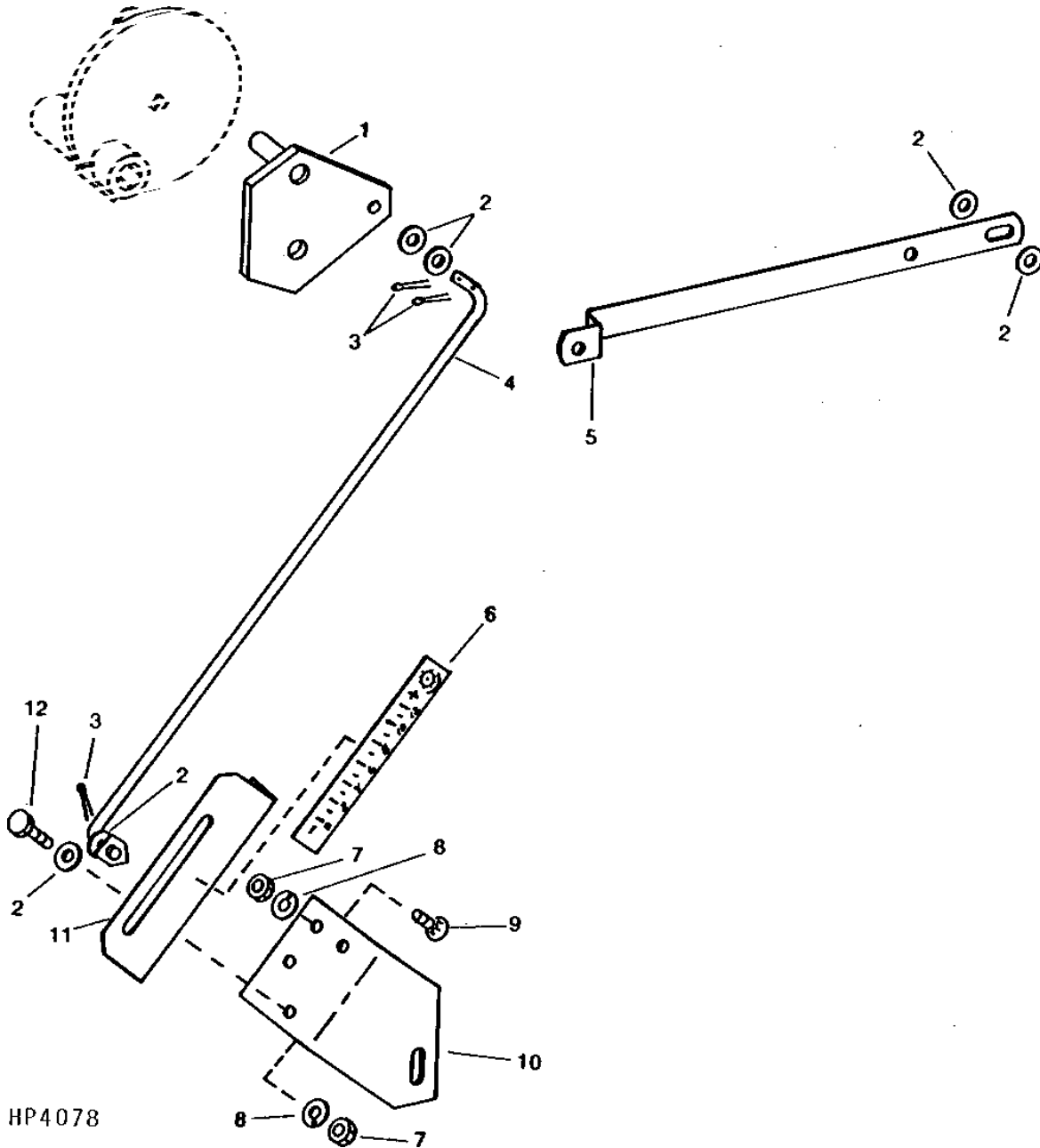
KEY	PART NO.	PART NAME	QTY	SERIAL NO.	REMARKS
1	19M7819	SCREW	1		M12 X 90
2	28H1597	WASHER	1		0.546" X 0.840" X 3/8"
3	AH133156	CAM	1		
4	H135246	ADJUSTING STRAP	1	-MAR91	(SUB H146389)
	H146389	ADJUSTING STRAP	1		
5	H134418	COVER	1		FOR REAR OF CONCAVE
6	H134420	RETAINER	1		
7	24H1351	WASHER	1		9/16" X 1-1/2" X 0.164"
8	H133633	SEAL	1		
9	28H2642	SPACER	2		0.546" X 0.840" X 2-1/2"
10	TY9371	ADHESIVE	1		APPLY ON 03M7218 (6 ML HIGH-STRENGTH)
11	AH130465	COVER	AR		FOR BOTTOM FRONT OF CONCAVE
12	H137947	U-BOLT	AR		USE ONE PER H134773
13	AH132367	ANGLE	1	-FEB92	(SUB AH141204)
	AH141204	ANGLE	1		
14	AH134773	INSERT	AR		FOR USE IN CORN
15	14M7396	LOCK NUT	AR		M8, USE TWO PER H134773
16	H135036	WIRE	AR		FOR SMALL GRAIN, (USE WITH AH133286 AND
	H135037	WIRE	AR		AH133287) (SHORT)
					FOR CORN, (USE WITH AH133288 AND AH133289)
					(LONG)
17	AH136605	CONCAVE	1		FOR CORN
	AH136604	CONCAVE	1		
18	H133632	SHAFT	1		(SUB H145639)
19	A31867	LOCK NUT	6		M12 M12
20	E47782	SPACER	6		
21	AH133157	CAM	1		
22	H139098	BOLT	6		

2B9

FC: 5232

SEPARATOR

CONCAVE INDICATOR AND BRACKETS
HP4078 -UN-01JAN94



2B10

FC: 5773

SEPARATOR

CONCAVE INDICATOR AND BRACKETS - CONTINUED

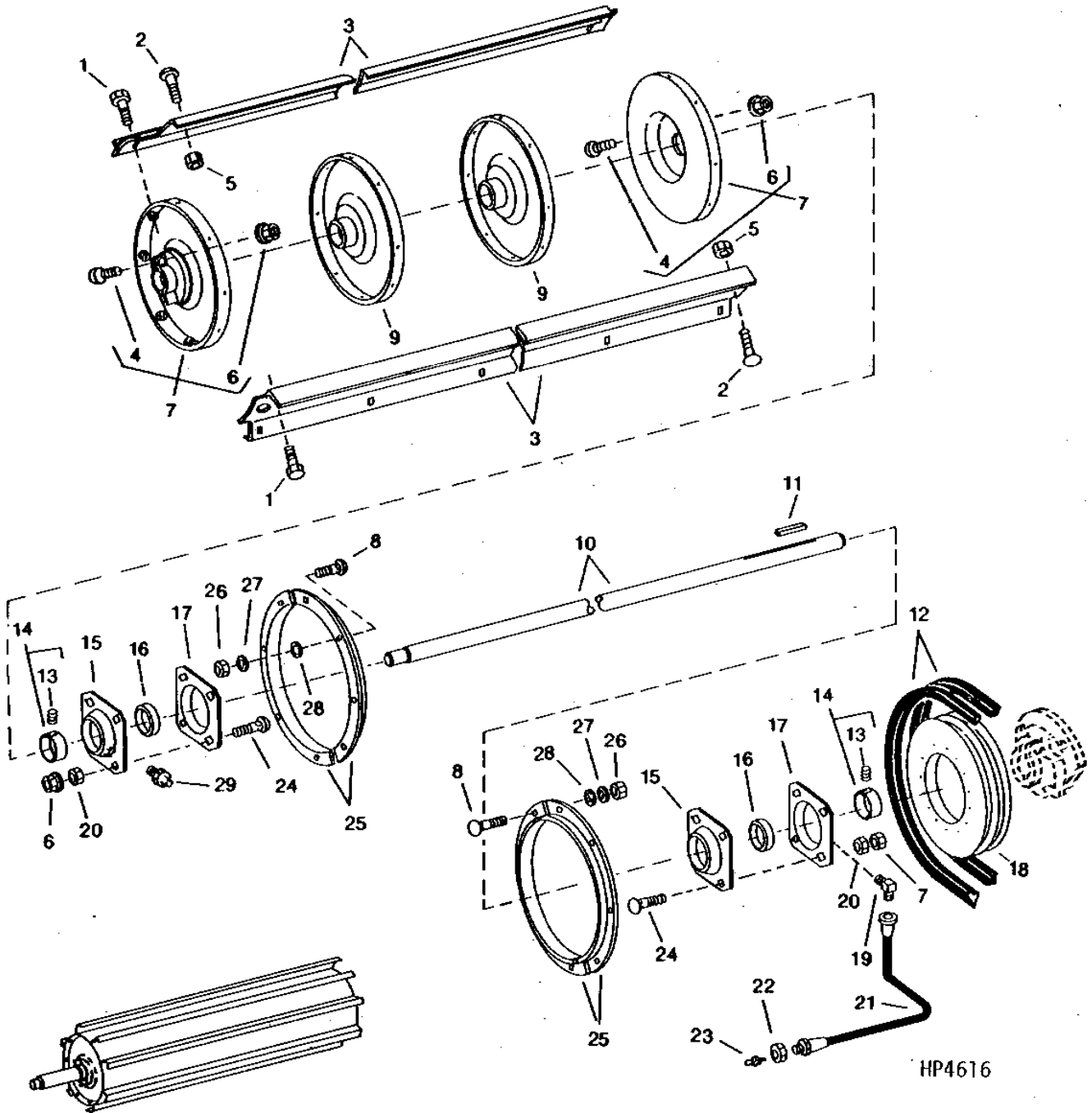
KEY	PART NO.	PART NAME	QTY	SERIAL NO.	REMARKS
1	AH200506	ARM	1		
2	24H1136	WASHER	6		8.738 X 17.475 X 1.651 MM
3	AH133156	CAM	1		
	11M7081	COTTER PIN	3		2.500 X 20 MM (0.098" X 0.787")
4	AH200509	LINK	1		(SUB H146389)
5	AH200820	GUARD	1		FOR REAR OF CONCAVE
6	AH200505	DECAL	1		
7	14H785	NUT	4		7.925 MM (5/16")
8	12H303	LOCK WASHER	4		7.938 MM (5/16")
9	03H1540	BOLT	2		7.925 X 19.050 MM (5/16" X 3/4")
10	AH200486	COVER	1		APPLY ON 03M7218 (6 ML HIGH-STRENGTH)
11	AH200504	BRACKET	1		FOR BOTTOM FRONT OF CONCAVE
12	19H1900	CAP SCREW	2		7.925 X 19.050 MM (5/16" X 3/4") USE ONE PER H134773

2B11

FC: 5782

SEPARATOR

BEATER, SHAFT AND DRIVE BELT
HP4616 -UN-01JAN94



2B12

FC: 5782

SEPARATOR

BEATER, SHAFT AND DRIVE BELT - CONTINUED

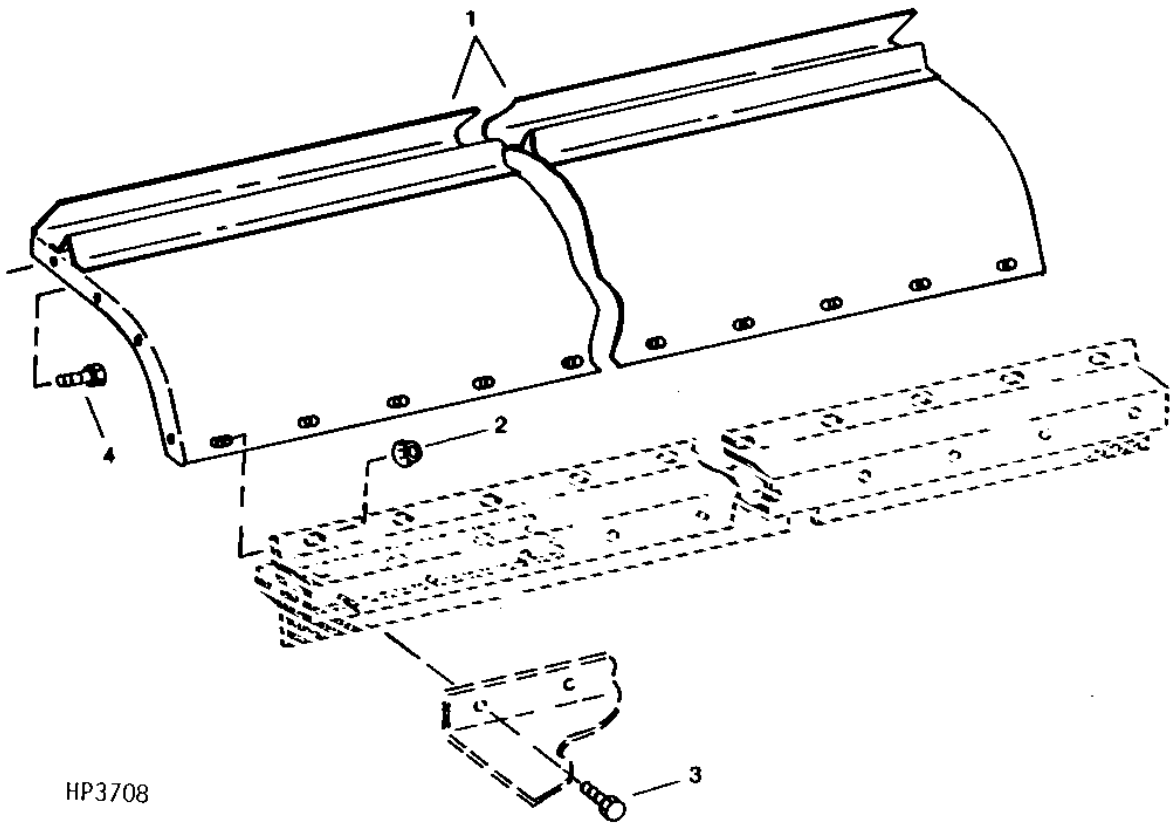
KEY	PART NO.	PART NAME	QTY	SERIAL NO.	REMARKS
1	19M7784	SCREW	2		M10 X 20
2	03M7190	BOLT	2		M10 X 20
3	H133649	BLADE	8	-JAN92	(SUB H147789)
	H147789	BLADE	8		
4	03M7201	BOLT	1		M12 X 45
5	14M7296	FLANGE NUT	1		M10
6	14M7299	FLANGE NUT	1		M12
7	AH128360	BEATER HEAD	2		
8	03M7185	BOLT	24		M8 X 25
9	AH128361	BEATER HEAD	1		
10	H126941	SHAFT	1		
11	SHAFT KEY	1		10 X 8 X 50 MM (IN AH141142 KEY STOCK KIT) (CUT FROM H150270)
12	AH120918	BELT	1	-640400	(SUB AH139436) FOR 100° BEATER DRIVE
	AH139436	BELT SET	1		FOR 100° BEATER DRIVE
	AH131960	BELT	1		FOR 75° BEATER DRIVE
13	22H979	SET SCREW	1		3/8" X 3/8"
14	JD9201	ECCENTRIC LOCKING COLLAR	2		
15	H113625	PRESSED FLANGED HOUSING	2		
16	JD9434	BEARING	2		
17	H113626	PRESSED FLANGED HOUSING	2		
18	H125558	SHEAVE	1		FOR 100 PER CENT BEATER DRIVE
	H135850	SHEAVE	1		FOR 75 PER CENT BEATER DRIVE
19	JD7845	LUBRICATION FITTING	2		L H
20	H143731	NUT	8		
21	AH121009	HOSE	2		1/8" X 910 MM (35-3/4") X 1/8", L H
22	E12379	NUT	2		L H
23	JD7759	LUBRICATION FITTING	2		L H
24	03M7197	BOLT	8		M12 X 25
25	H130572	SEAL	4		
26	14M7298	FLANGE NUT	24		M8
27	12H303	LOCK WASHER	24		5/16"
28	24M7055	WASHER	16		8.400 X 16 X 1.600 MM
29	JD7788	LUBRICATION FITTING	1		R H

2B13

FC: 5783

SEPARATOR

BEATER COVER
HP3708 -UN-01JAN94



HP3708

2B14

FC: 5783

SEPARATOR

BEATER COVER - CONTINUED

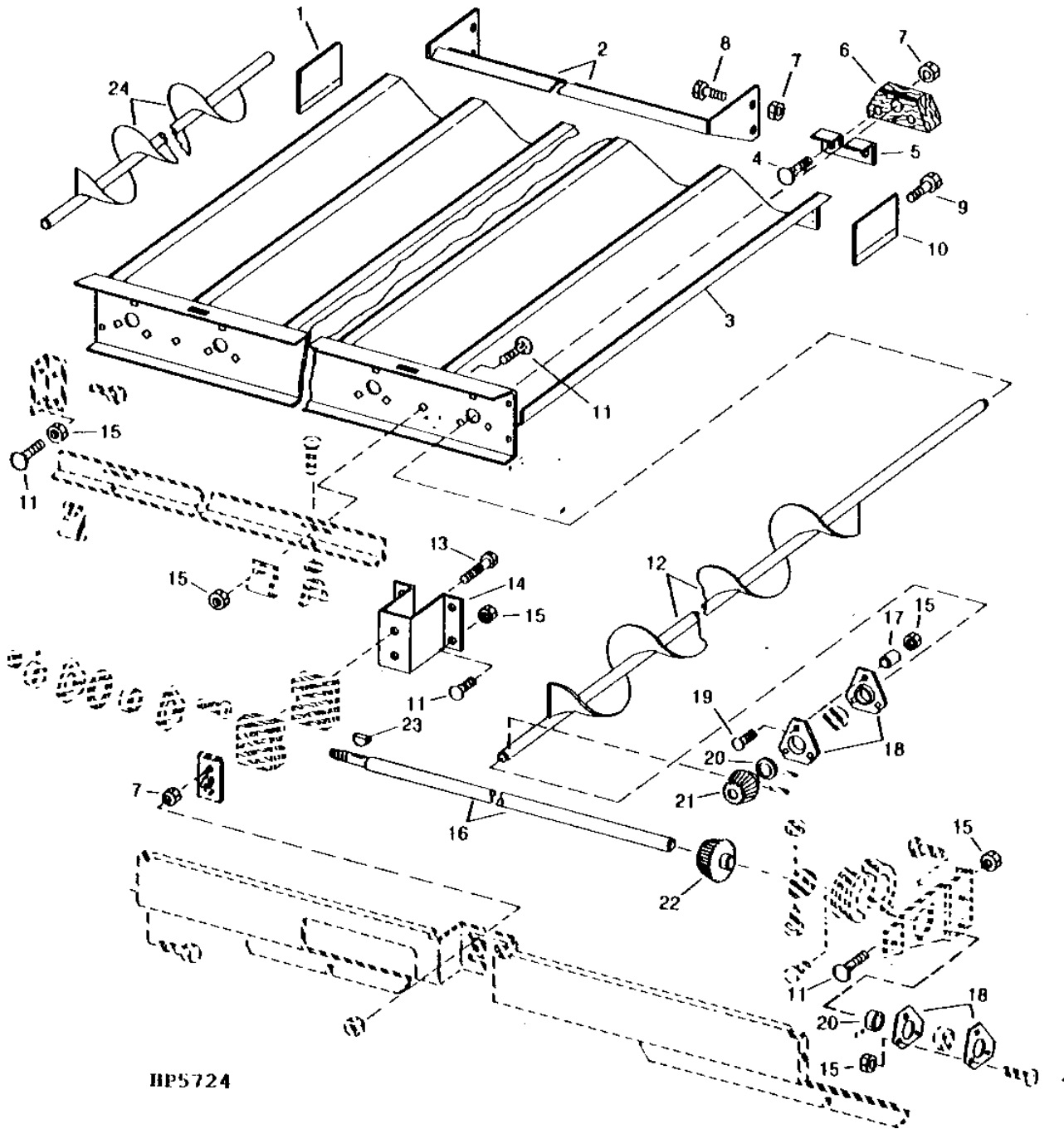
KEY	PART NO.	PART NAME	QTY	SERIAL NO.	REMARKS
1	AH121997	COVER	1		
2	14M7298	FLANGE NUT	6	M8	
3	37M7080	SCREW	10	M10 X 30	
4	37M7058	SCREW	8	M8 X 20	

2B15

FC: 5812

SEPARATOR

SHOE GRAIN SUPPLY AUGERS AND HOUSING
HP5724 -UN-01JAN94



2B16

FC: 5812

SEPARATOR

SHOE GRAIN SUPPLY AUGERS AND HOUSING - CONTINUED

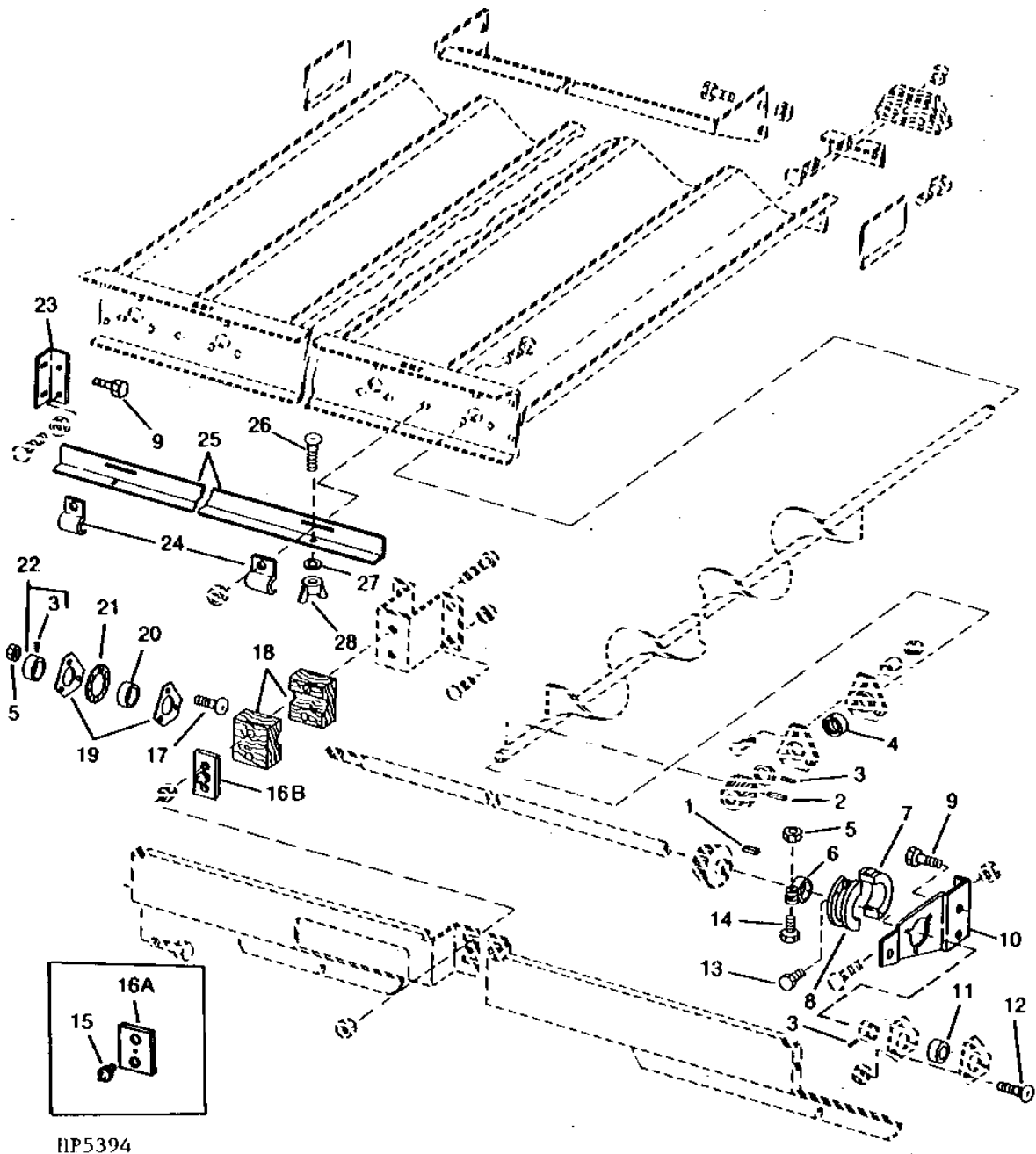
KEY	PART NO.	PART NAME	QTY	SERIAL NO.	REMARKS
1	H134029	DEFLECTOR	1		
2	AH126191	SUPPORT	1		
3	AH130123	TROUGH	1		
4	03M7216	BOLT	AR	M8 X 50	
5	H142189	STRIPPER	AR	(SUB H142189)	
6	H142188	BEARING	AR	ADD GREASE TO BLOCK BEFORE ASSEMBLY	
7	14M7396	LOCK NUT	17	M8	
8	19M7867	SCREW	4	M8 X 25	
9	37M7090	SCREW	4	M6 X 16	
10	H134028	DEFLECTOR	1		
11	03M7183	BOLT	AR	M8 X 16	
12	AH130424	AUGER	3	R.H.	
13	19M8039	SCREW	2	M8 X 80	
14	H91205	BRACKET	1		
15	14M7298	FLANGE NUT	25	M8	
16	H135422	DRIVE SHAFT	AR		
17	28H1720	BUSHING	AR	0.423" X 0.675" X 27/32"	
18	H103264	PRESSED FLANGED HOUSING	14		
19	03M7189	BOLT	AR	M8 X 45	
20	JD8554	ECCENTRIC LOCKING COLLAR	7		
21	H75406	GEAR	6	-640400 (SUB H137215)	
	H137215	GEAR	6		
22	H82988	PINION	6	-640400 (SUB H75406)	
	H75406	GEAR	6		
23	26M4226	SHAFT KEY	1	WOODRUFF	
24	AH130425	AUGER	1	L.H.	
..	TY6333	GREASE	1		

2B17

FC: 5812

SEPARATOR

SHOE GRAIN SUPPLY AUGERS AND HOUSING
HP5394 -UN-01JAN94



HP5394

2B18

FC: 5812

SEPARATOR

SHOE GRAIN SUPPLY AUGERS AND HOUSING - CONTINUED

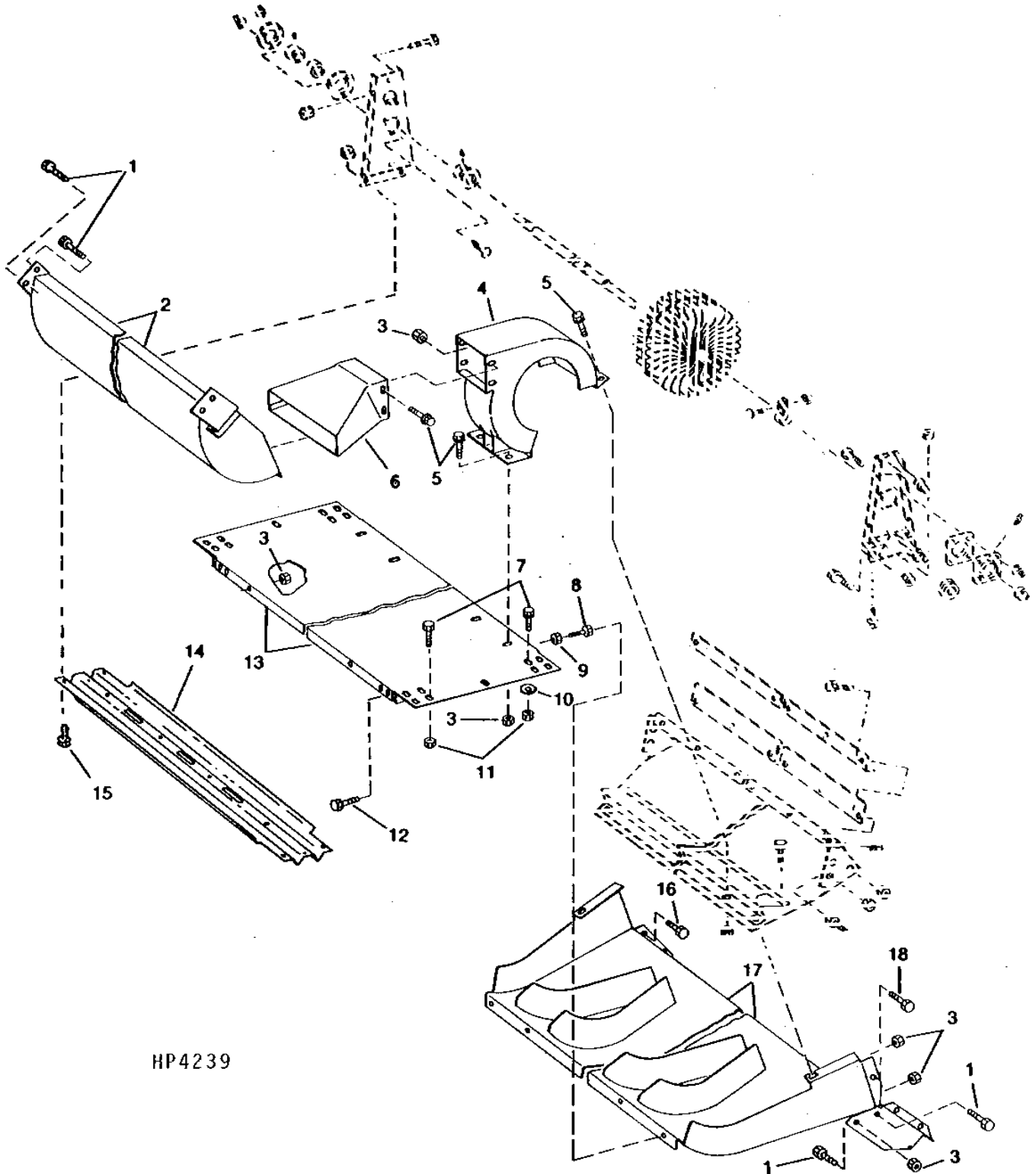
KEY	PART NO.	PART NAME	QTY	SERIAL NO.	REMARKS
1	M15973	SHAFT KEY	AR		
2	34H119	SPRING PIN	AR		
3	SET SCREW	1		
4	JD9273	BALL BEARING	AR		
5	14M7296	FLANGE NUT	10	M10	
6	H145112	CLAMP	7		
7	H104795	ACTUATOR	1		
8	H104796	ACTUATOR	1		
9	19M7866	SCREW	4	M8 X 20	
10	H127524	BRACKET	1		
11	JD8665	BALL BEARING	1		
12	03M7184	BOLT	3	M8 X 20	
13	21H1419	SCREW	1		0.190" X 1"
14	19M7358	CAP SCREW	AR	-JUN91	M10 X 40
	19M7572	CAP SCREW	AR	JUN91-	M10 X 45
15	JD7768	LUBRICATION FITTING	1	-MAY92	(SUB JD7767)
	JD7767	LUBRICATION FITTING	1		
16A	H83089	PLATE	AR	-OCT92	(SUB AH142370)
16B	AH142370	LUBRICATION FITTING	1		
17	03M7191	BOLT	3		M10 X 25
18	H135475	BEARING	2		
19	E10018	PRESSED FLANGED HOUSING	2		
20	AH129451	BALL BEARING	1		
21	H102533	SHIM	1		
22	AH129452	ECCENTRIC LOCKING COLLAR	1		
23	H127525	ANGLE	1		
24	H94167	CLAMP	2		
25	H134025	SHEET	1		
26	03M7221	BOLT	2		M6 X 16
27	24M7139	WASHER	2		6.400 X 18 X 1.600 MM
28	14M7019	WING NUT	2		M6
..	TY6333	GREASE	1		

2B19

FC: 5886

SEPARATOR

CLEANING FANS AND SHROUDS
HP4239 -UN-01JAN94



HP4239

2B20

FC: 5886

SEPARATOR

CLEANING FANS AND SHROUDS - CONTINUED

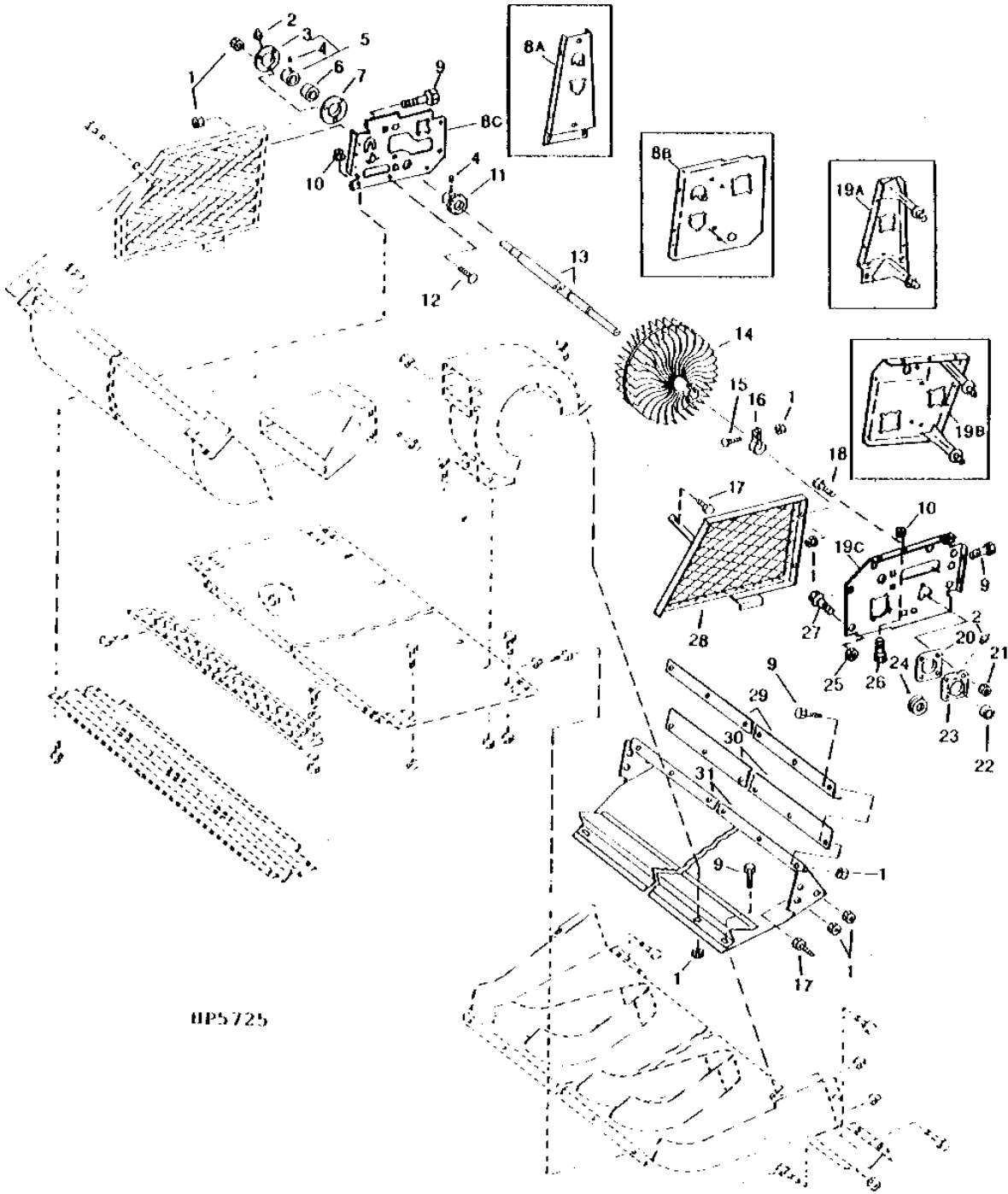
KEY	PART NO.	PART NAME	QTY	SERIAL NO.	REMARKS
1	19M7867	SCREW	AR	M8 X 25	
2	AH126214	AIR DUCT	1		
3	14M7298	FLANGE NUT	AR	M8	
	AH126213	AIR DUCT	1		
4	AH125692	HOUSING	4		
5	19M7865	SCREW	AR	M8 X 16	
6	AH128618	DIFFUSER	4		
7	19M7818	SCREW	AR	M12 X 80	
8	19M7866	SCREW	AR	M8 X 20	
9	14M7396	LOCK NUT	AR	M8	
10	28H2611	SPACER	18	0.546" X 0.840" X 2"	
11	14M7299	FLANGE NUT	AR	M12	
12	19M7789	SCREW	4	M12 X 30	
13	AH128307	SUPPORT	1		
14	H134996	PLATE	1	(FOR CORN AND GRAIN ONLY)	
	H134996	PLATE	1	(FOR CORN AND GRAIN ONLY)	
	H137389	PLATE	1	(FOR RICE ONLY)	
15	19M7898	SCREW	4	M10 X 130	
16	19M8039	SCREW	AR	M8 X 80	
17	AH130477	AIR DUCT	1		
18	19M7800	SCREW	2		
..	H143594	COVER	3	(SUB AH138384)	
..	AH138384	MOUNTING PARTS	1		

2B21

FC: 5886

SEPARATOR

CLEANING FANS AND SHROUDS
HP5725 -UN-01JAN94



HP5725

2B22

FC: 5886

SEPARATOR

CLEANING FANS AND SHROUDS - CONTINUED

KEY	PART NO.	PART NAME	QTY	SERIAL NO.	REMARKS
1	14M7298	FLANGE NUT	AR	M8	
2	JD7788	LUBRICATION FITTING	2		
3	AE26118	PRESSED FLANGED HOUSING	1		
4	22M7027	SET SCREW	2	M6 X 16	
5	AZ10044	ECCENTRIC LOCKING COLLAR	1		
6	JD9490	BALL BEARING	1		
7	N52258	PRESSED FLANGED HOUSING	1		
8A	H134213	BRACKET	1	-SEPT92	(SUB H146754)
8B	H146754	BRACKET	1	-JUN93	(SUB H150091)
8C	H150091	BRACKET	1		
9	19M7865	SCREW	AR		
10	14M7400	LOCK NUT	4	M10	
11	H122372	WHEEL	2		
12	03M7185	BOLT	3	M8 X 25	
13	H135396	SHAFT	1		
14	H130355	ROTOR	4		
15	03M7189	BOLT	8	-MAR92	
	03M7188	BOLT	8	MAR92-	
16	H130695	CLAMP	8	-635461	(SUB H144467)
	H144467	CLAMP	8		
17	19M7867	SCREW	AR	M8 X 25	
18	03M7198	BOLT	4		
19A	AH131319	BRACKET	1	-SEPT92	(SUB AH140620)
19B	AH140620	BRACKET	1	-JUN93	(SUB AH144079)
19C	AH144079	BRACKET	1		
20	H113625	PRESSED FLANGED HOUSING	1		
21	14M7299	FLANGE NUT	AR	M12	
22	AL14674	ECCENTRIC LOCKING COLLAR	1		
23	H113626	PRESSED FLANGED HOUSING	1		
24	AH139297	BALL BEARING	1		
25	14M7396	LOCK NUT	AR	M8	
26	19M7898	SCREW	4	M10 X 130	
27	19M7803	SCREW	4	M8 X 70	
28	AH130988	SHIELD	1	L.H.	
	AH127726	SHIELD	1	R.H.	
29	H75951	REINFORCEMENT	1	-635465	(SUB H134308)
	H134308	REINFORCEMENT	1		
30	H133081	SEAL	1		
31	AH128313	AIR DUCT	1		

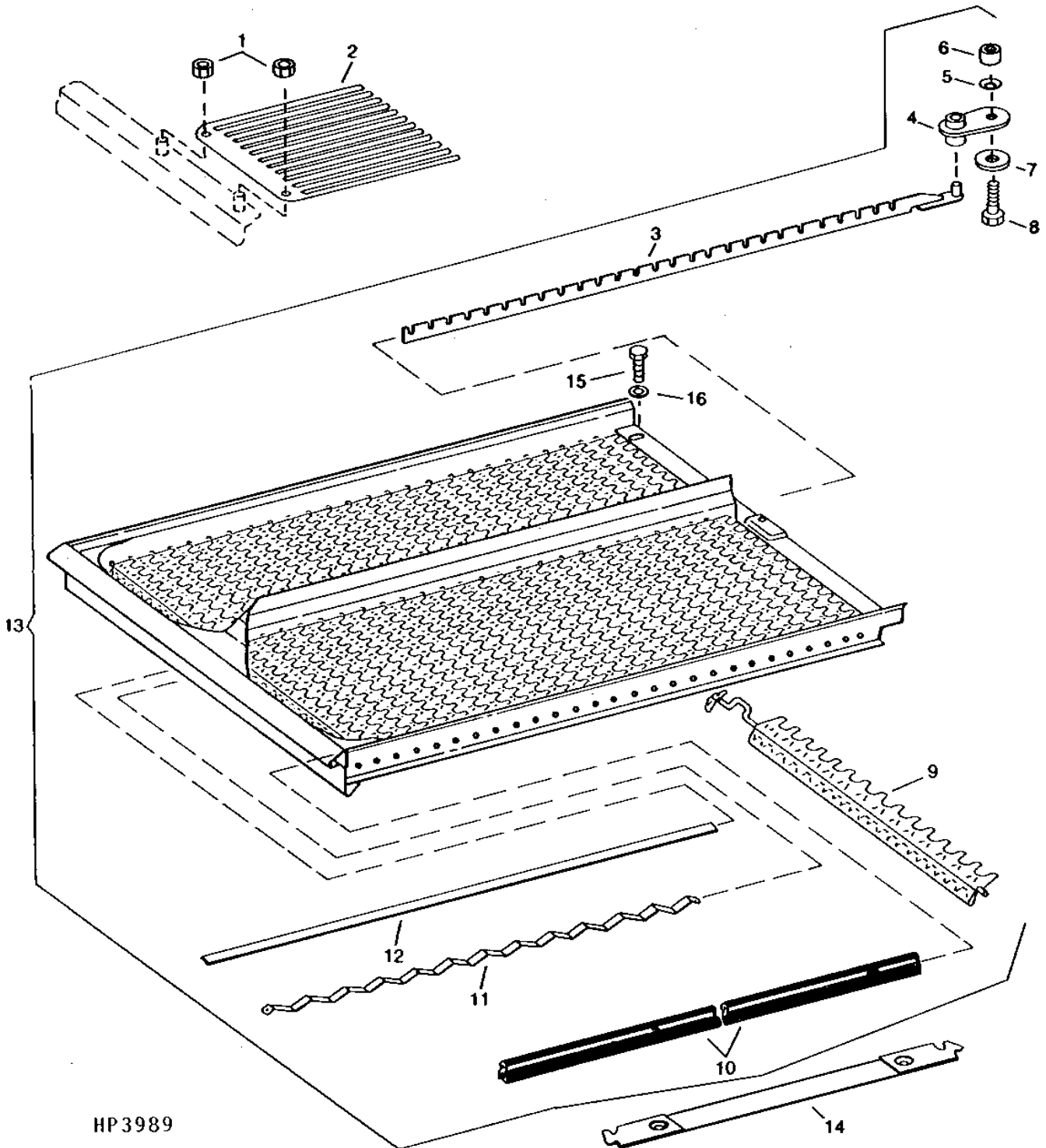
BH80129 (COMPLETE GOODS) CLEANING FAN SHIELDS

2B23

FC: 5882

SEPARATOR

PRECLEANING CHAFFER
HP3989 -UN-01JAN94



HP3989

2B24

FC: 5882

SEPARATOR

PRECLEANING CHAFFER - CONTINUED

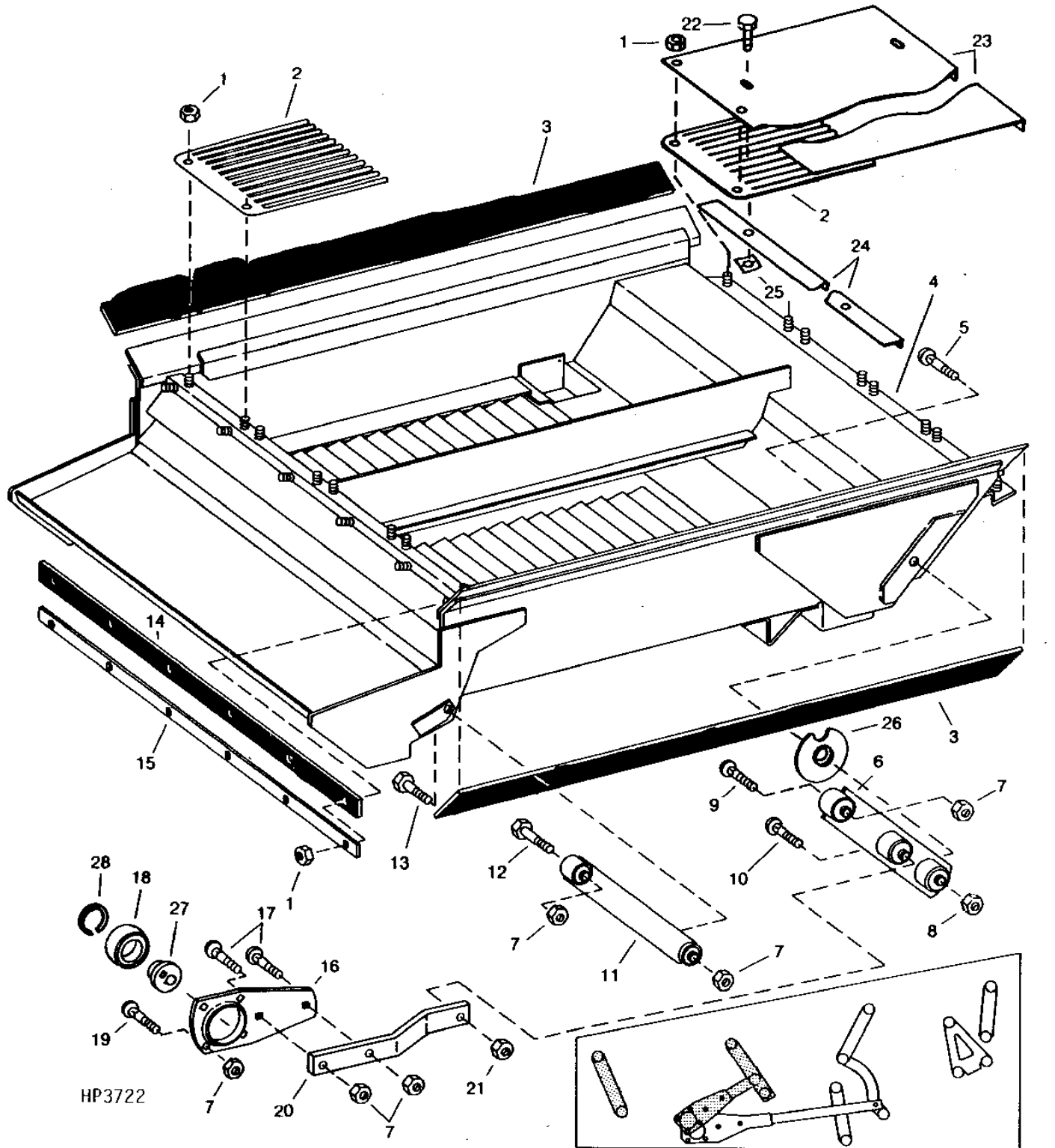
KEY	PART NO.	PART NAME	QTY	SERIAL NO.	REMARKS
1	14M7396	LOCK NUT	AR	M8	
2	H132160	FINGER	AR	(12 FINGER)	
	H132161	FINGER	AR	(15 FINGER)	
3	AH130186	STRIP	1	(12 FINGER)	
4	AH122080	LINK	1		
5	H126934	WASHER	2		
6	H126932	NUT	1		
7	H126933	WASHER	1		
8	H110178	SCREW	1		
9	AH130185	LOUVER	26		GENERAL PURPOSE LOUVER
	AH127465	LOUVER	26		DEEP TOOTH LOUVER
10	AH127477	ISOLATOR	2	-DEC93	(SUB AH140044)
	AH140044	ISOLATOR	2		1 369 MM (53.898")
11	H132291	LEAF SPRING	2		
12	H132288	STRIP	2		
13	AH130151	CHAFFER	2		GENERAL PURPOSE LOUVER
	AH130154	CHAFFER	2		DEEP TOOTH LOUVER
	AH131215	CHAFFER	2		FIXED, 3 MM (1/8") ROUND HOLES
	AH127871	CHAFFER	2		STEP PAN SURFACE, NON-PERFORATED
14	AH131213	HANDLE	1	-SEPT93	(SUB H149997)
	H149997	GRIP	1		
15	19M7785	SCREW	3	M10 X 25	
16	24H1308	WASHER	3	13/32" X 1" X 0.134"	

2C1

FC: 5881

SEPARATOR

PRECLEANER CHAFFER FRAME
HP3722 -UN-01JAN94



2C2

FC: 5881

SEPARATOR

PRECLEANER CHAFFER FRAME - CONTINUED

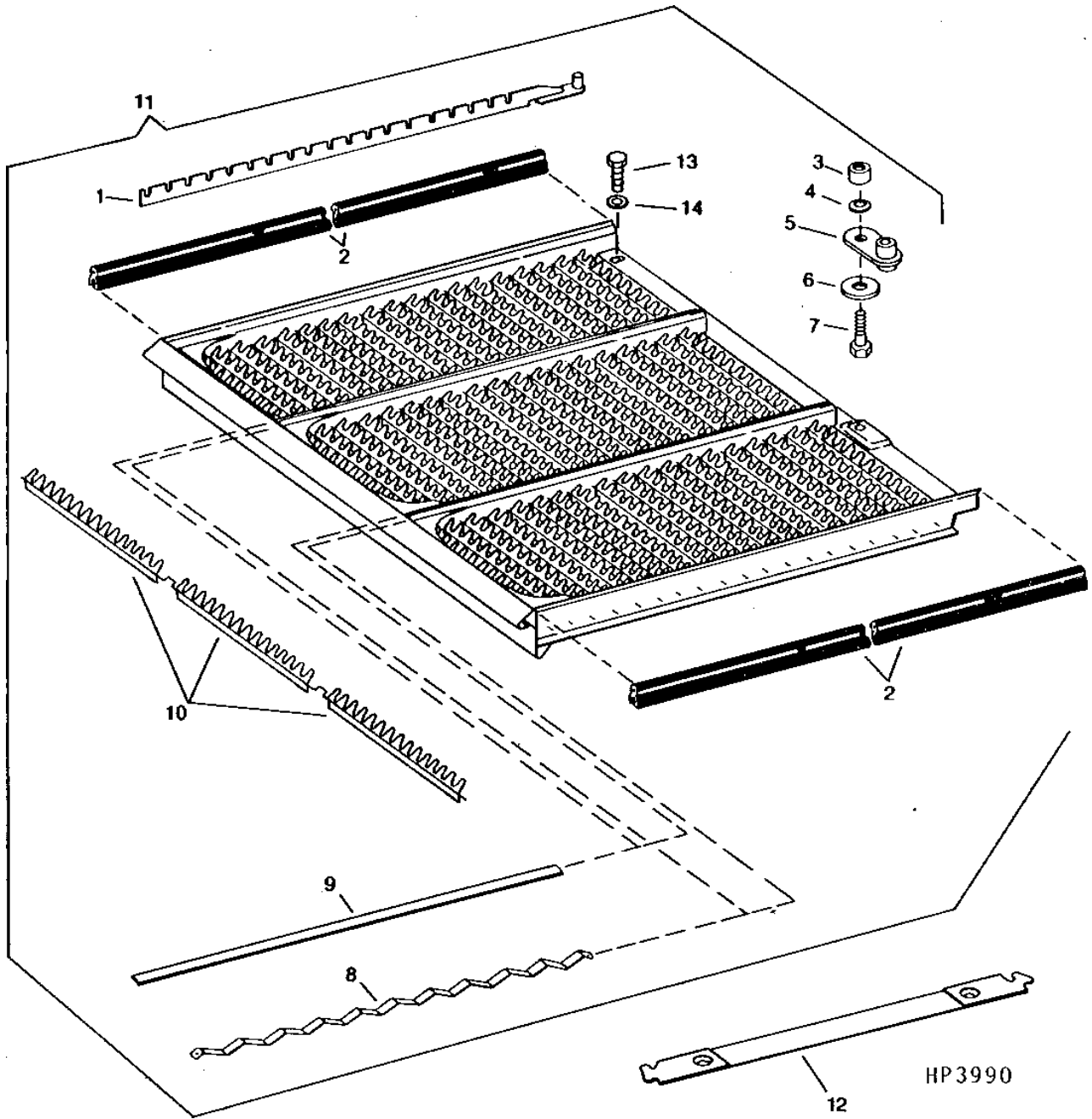
KEY	PART NO.	PART NAME	QTY	SERIAL NO.	REMARKS
1	14M7396	LOCK NUT	AR	M8	
2	H132160	FINGER	2	12 FINGER	
	H132161	FINGER	7	15 FINGER	
3	H140247	SEAL	2		
4	AH128458	FRAME	1		
5	03M7281	BOLT	2	M16 X 180	
6	AH125967	LINK	2		
7	14M7299	FLANGE NUT	AR	M12	
8	14M7276	NUT	2	M16	
9	03M7248	BOLT	2	M12 X 90	
10	19M8043	CAP SCREW	2	M16 X 140	
11	AH126097	ARM	2		
12	19M7818	SCREW	1	M12 X 80	
13	19M7758	CAP SCREW	2	M12 X 130	
14	H135542	SEAL	1		
15	H135544	STRIP	1		
16	H134118	PRESSED FLANGED HOUSING	4		
17	03M7198	BOLT	AR	M12 X 30	
18	AH125975	BALL BEARING	2		
19	03M7197	BOLT	AR	M12 X 25	
20	H130922	PITMAN	2		
21	14M7291	FLANGE NUT	2	M16	
22	19M7868	SCREW	AR	M8 X 30	
23	H136609	SHEET	1		
24	H136611	ANGLE	1		
26	H141416	SEAL	2		
27	H133599	CAM	1	L H	
	H133602	CAM	1	R H	
28	R43383	SNAP RING	2		

2C3

FC: 5882

SEPARATOR

CHAFFER ELEMENT
HP3990 -UN-01JAN94



2C4

FC: 5882

SEPARATOR

CHAFFER ELEMENT - CONTINUED

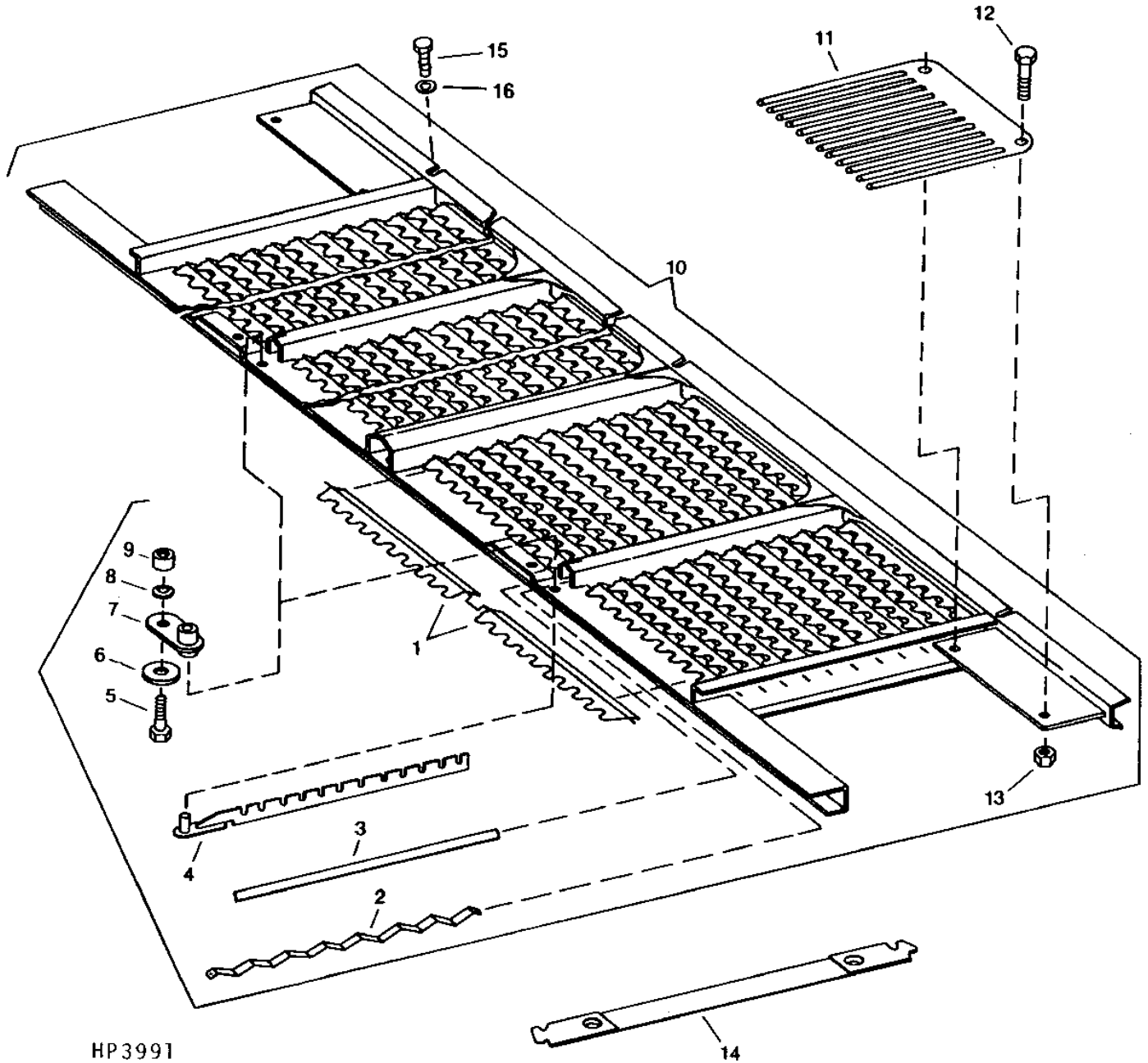
KEY	PART NO.	PART NAME	QTY	SERIAL NO.	REMARKS
1	AH130186	STRIP	1		
2	AH127477	ISOLATOR	2		(SUB AH140044)
	AH140044	ISOLATOR	2		1 369 MM (53.898")
3	H126932	NUT	1		FOR SEMI-DEEP TOOTH LOUVERS
4	H126934	WASHER	2		
5	AH122080	LINK	1		
6	H126933	WASHER	1		
7	H110178	SCREW	1		
8	H132291	LEAF SPRING	1		
9	H132288	STRIP	1		
10	AH132787	LOUVER	27		FOR GENERAL PURPOSE LOUVERS
	AH127465	LOUVER	27		FOR SEMI-DEEP TOOTH LOUVERS
11	AH132785	CHAFFER	2		FOR GENERAL PURPOSE LOUVERS
	AH127426	CHAFFER	2		FOR SEMI-DEEP TOOTH LOUVERS
	AH130486	CHAFFER	2		FOR FIXED LOUVERS
12	AH131213	HANDLE	1		(SUB H149997)
	H149997	GRIP	1		(FOR ALL ADJUSTABLE LOUVERS)
13	19M7785	SCREW	3		M10 X 25
14	24H1308	WASHER	3		13/32" X 1" X 0.134"

2C5

FC: 5882

SEPARATOR

CHAFFER EXTENSION ELEMENT
HP3991 -UN-01JAN94



HP 3991

2C6

FC: 5882

SEPARATOR

CHAFFER EXTENSION ELEMENT - CONTINUED

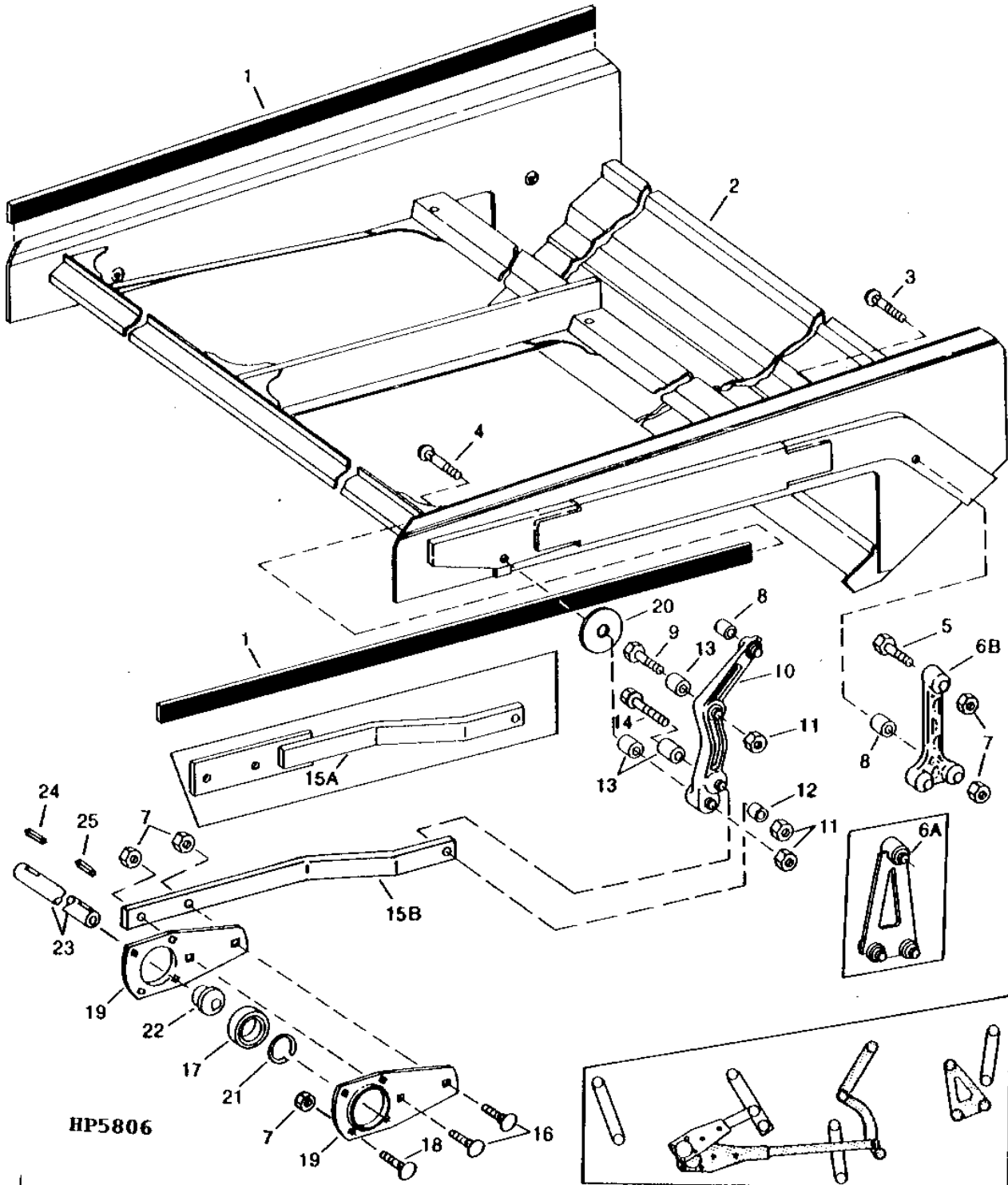
KEY	PART NO.	PART NAME	QTY	SERIAL NO.	REMARKS
1	AH127469	LOUVER	12		SEMI-DEEP TOOTH LOUVER
2	H132293	LEAF SPRING	2		
3	H132290	STRIP	2		
4	AH130189	STRIP	1		SEMI-DEEP TOOTH LOUVER
5	H110178	SCREW	1		
6	H126933	WASHER	1		
7	AH122080	LINK	1		
8	H126934	WASHER	2		
9	H126932	NUT	1		
10	AH127435	CHAFFER	1		SEMI-DEEP TOOTH LOUVER
	AH130996	CHAFFER	1		FIXED LOUVER
11	H132160	FINGER	2		
12	19M7866	SCREW	4		M8 X 20
13	14M7396	LOCK NUT	4		M8
14	AH131213	HANDLE	1		(SUB H149997)
15	19M7785	SCREW	4		M10 X 25
16	24H1308	WASHER	4		13/32" X 1" X 0.134"

2C7

FC: 5882

SEPARATOR

CHAFFER FRAME
HP5806 -UN-01JAN94



2C8

FC: 5882

SEPARATOR

CHAFFER FRAME - CONTINUED

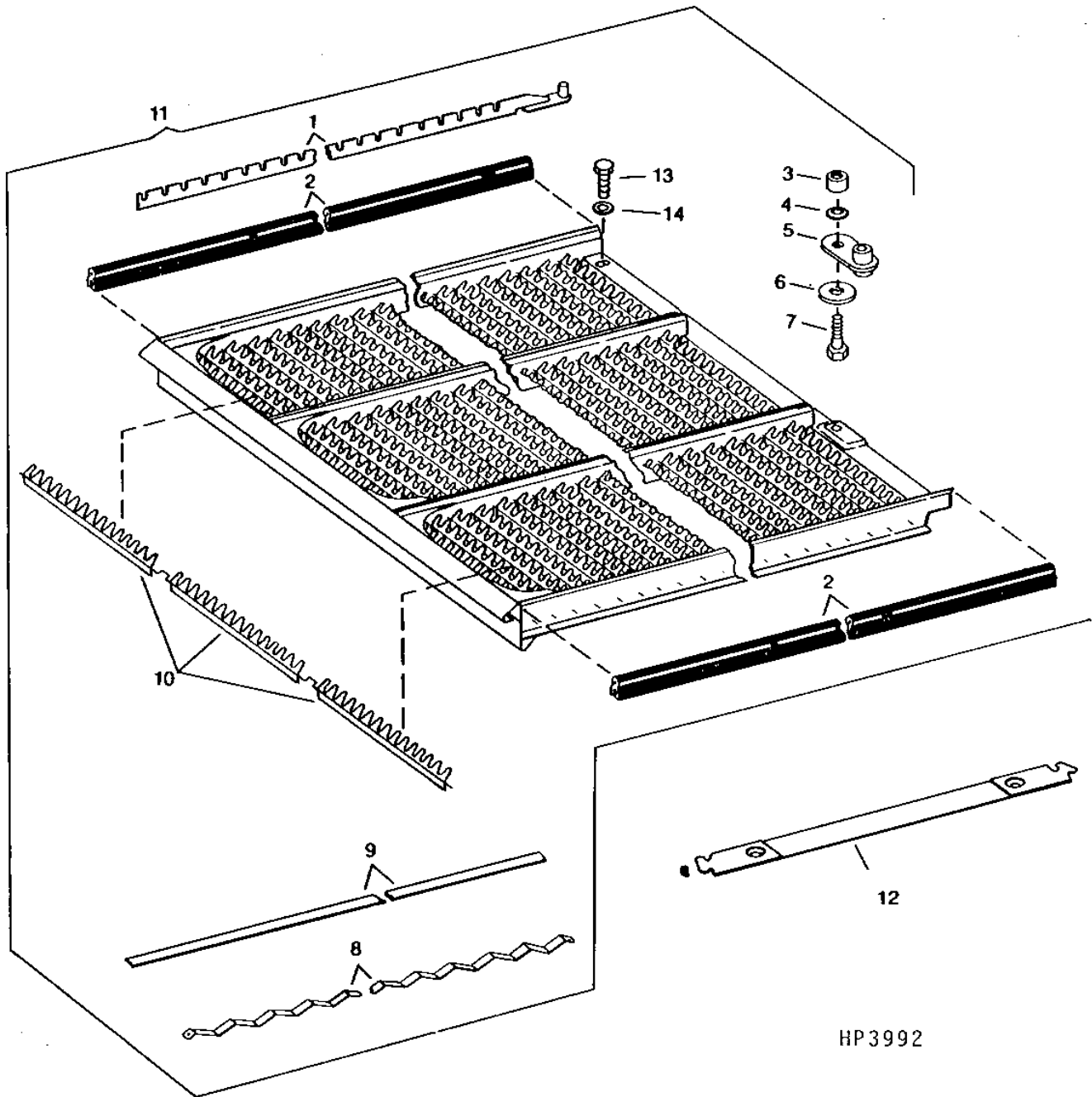
KEY	PART NO.	PART NAME	QTY	SERIAL NO.	REMARKS
1	H131319	SEAL	2		
2	AH128464	FRAME	1		
3	19M7943	CAP SCREW	2		M12 X 90
4	19M7732	CAP SCREW	2		M16 X 130
5	03M7248	BOLT	2		M12 X 90
6A	AH125971	LINK	2	-MAY92	(SUB AH138232)
6B	AH138232	LINK	2		
7	14M7299	FLANGE NUT	AR		M12
8	AH125200	BUSHING	10	-MAY92	NO LONGER AVAILABLE
9	03M7240	BOLT	2		M16 X 130
10	AH125969	ARM	1		L.H. SIDE
	AH125970	ARM	1		R.H. SIDE
11	14M7291	FLANGE NUT	AR		M16
12	H96690	BUSHING	2		
13	AH125201	BUSHING	2		
14	19M8486	CAP SCREW	2		M16 X 180
15A	AH125976	PITMAN	2	-SEP92	(SUB H147457)
15B	H147457	BAR	2		
	H150034	BAR	1		
16	03M7198	BOLT	AR	-SEPT92	M12 X 30
	03M7200	BOLT	AR	SEPT92-	M12 X 40
17	AH125975	BALL BEARING	2		
18	03M7197	BOLT	AR	-MAY91	M12 X 25
	03M7198	BOLT	AR	MAY91-	M12 X 30
19	H134118	PRESSED FLANGED HOUSING	4		
20	H137188	SEAL	2		
21	R43383	SNAP RING	2		
22	H133600	CAM	1		L H
	H133601	CAM	1		R H
23	H133598	SHAFT	1		
24	SHAFT KEY	1		6 X 50 MM (IN AH141142 KEY STOCK KIT) (CUT FROM H150268)
25	SHAFT KEY	1		6 X 100 MM (IN AH141142 KEY STOCK KIT) (CUT, FROM H150268)

2C9

FC: 5882

SEPARATOR

SIEVE ELEMENT
HP3992 -UN-01JAN94



HP3992

2C10

FC: 5882

SEPARATOR

SIEVE ELEMENT - CONTINUED

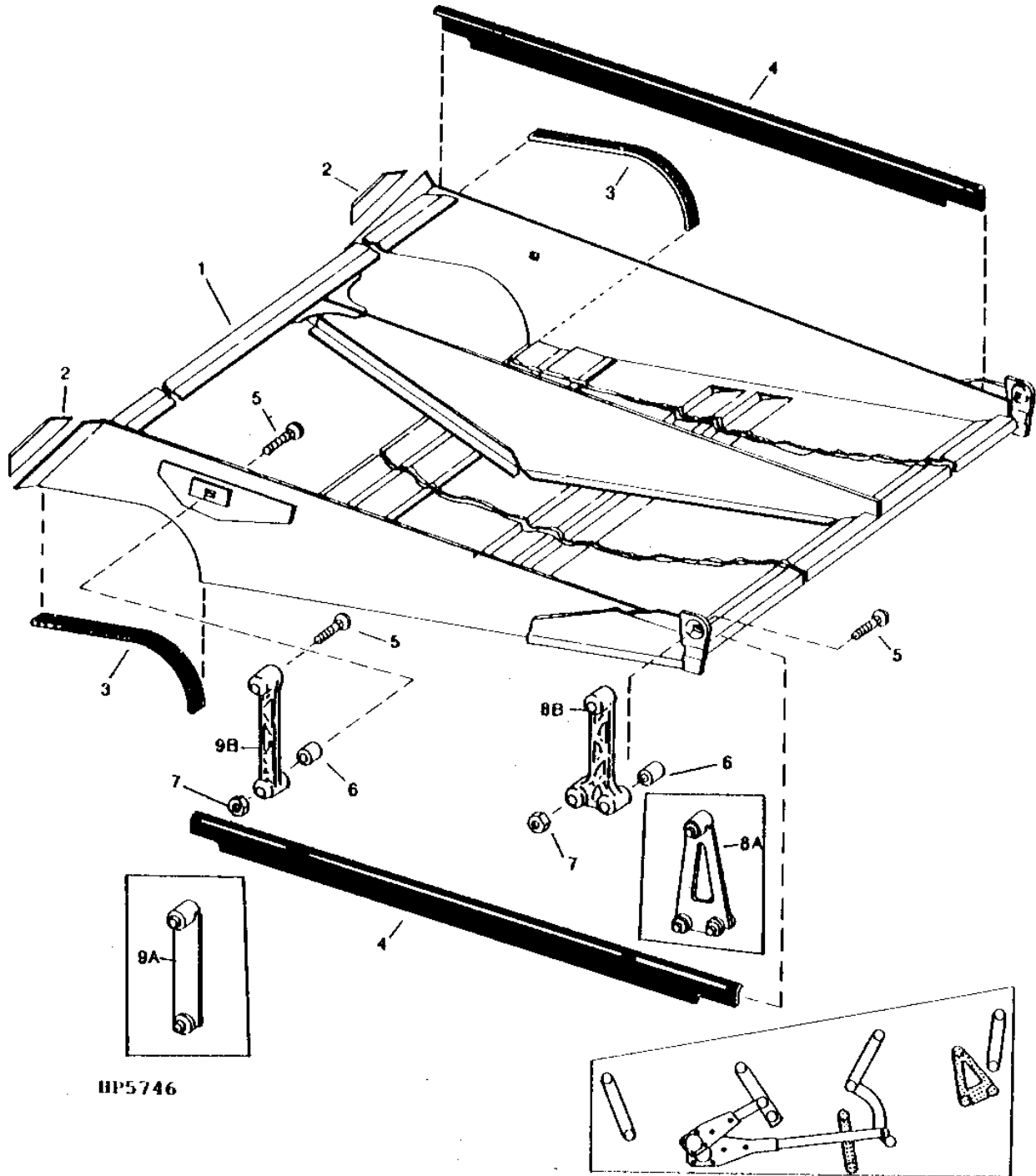
KEY	PART NO.	PART NAME	QTY	SERIAL NO.	REMARKS
1	AH130167	STRIP	1		
2	AH127477	ISOLATOR	2		(SUB AH140044)
	AH140044	ISOLATOR	2		1 369 MM (53.898")
3	H126932	NUT	1		
4	H126934	WASHER	2		
5	AH122080	LINK	1		
6	H126933	WASHER	1		
7	H110178	SCREW	1		
8	H132292	LEAF SPRING	1		
9	H132289	STRIP	1		
10	AH130166	LOUVER	1		
11	AH130160	SCREEN	2		ADJUSTABLE
	AH131217	SIEVE	2		FIXED, 3 MM (1/8") ROUND HOLES
	AH131219	SIEVE	2		FIXED, 10 MM (3/8") ROUND HOLES
12	AH131213	HANDLE	1		(SUB H149997)
13	19M7785	SCREW	3		M10 X 25
14	24H1308	WASHER	3		13/32" X 1" X 0.134"

2C11

FC: 5882

SEPARATOR

SIEVE FRAME
HP5746 -UN-01JAN94



HP5746

2C12

FC: 5882

SEPARATOR

SIEVE FRAME - CONTINUED

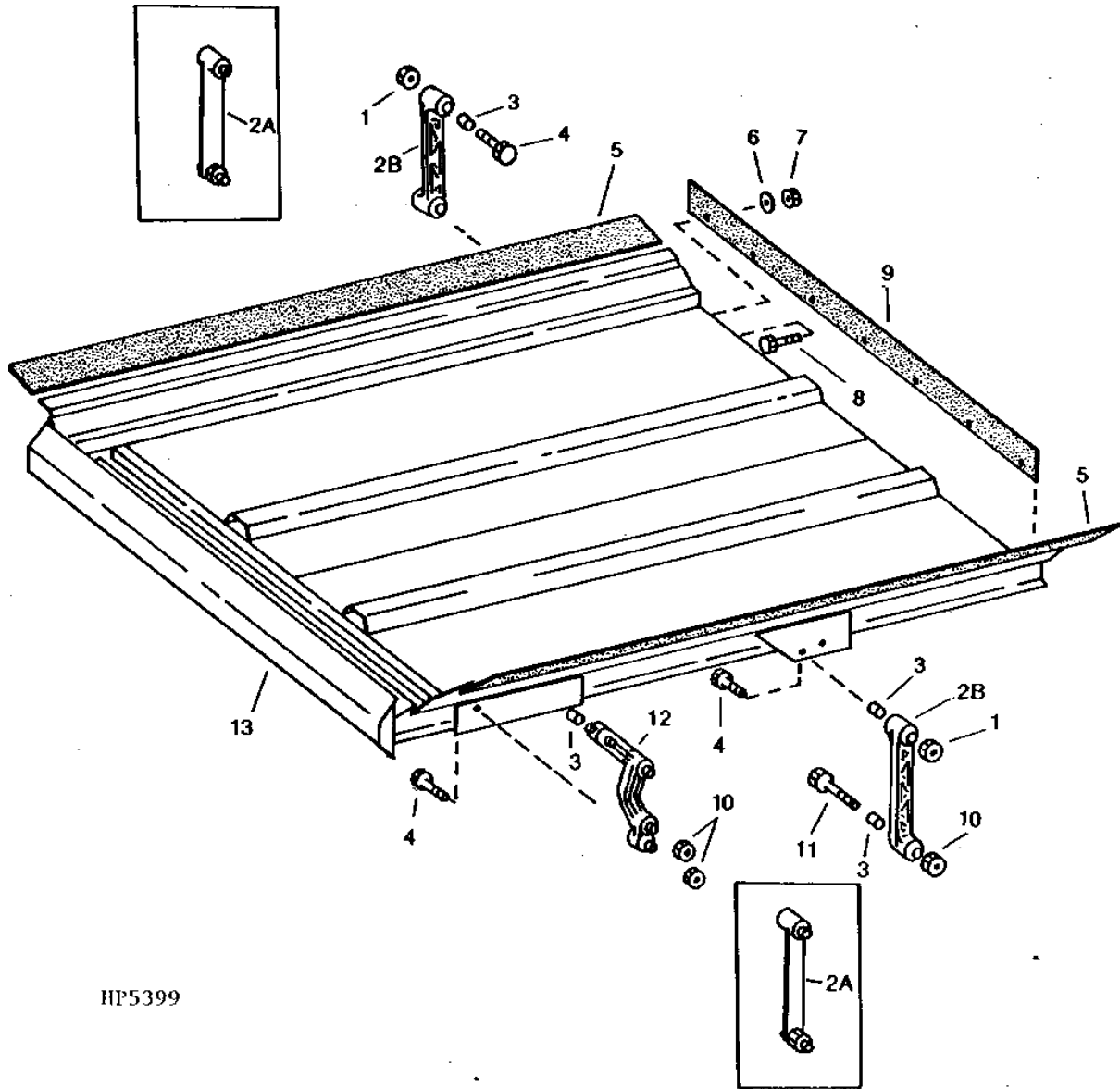
KEY	PART NO.	PART NAME	QTY	SERIAL NO.	REMARKS
1	AH128461	FRAME	1		
2	H133288	SEAL	2		
3	SEAL	2		420 MM (16-1/2 ") CUT FROM AH133091 (50 FT. ROLL)
4	H133287	SEAL	2		
5	03M7248	BOLT	6		M12 X 90
6	AH125200	BUSHING	10	-MAY92	
7	14M7299	FLANGE NUT	6		M12
8A	AH125971	LINK	2	-MAY92	(SUB AH138232)
8B	AH138232	LINK	2		
9A	AH125966	ARM	2	-MAY92	(SUB AH138230)
9B	AH138230	LINK	2		

2C13

FC: 5888

SEPARATOR

SHAKER PAN
HP5399 -UN-01JAN94



HP5399

2C14

FC: 5888

SEPARATOR

SHAKER PAN - CONTINUED

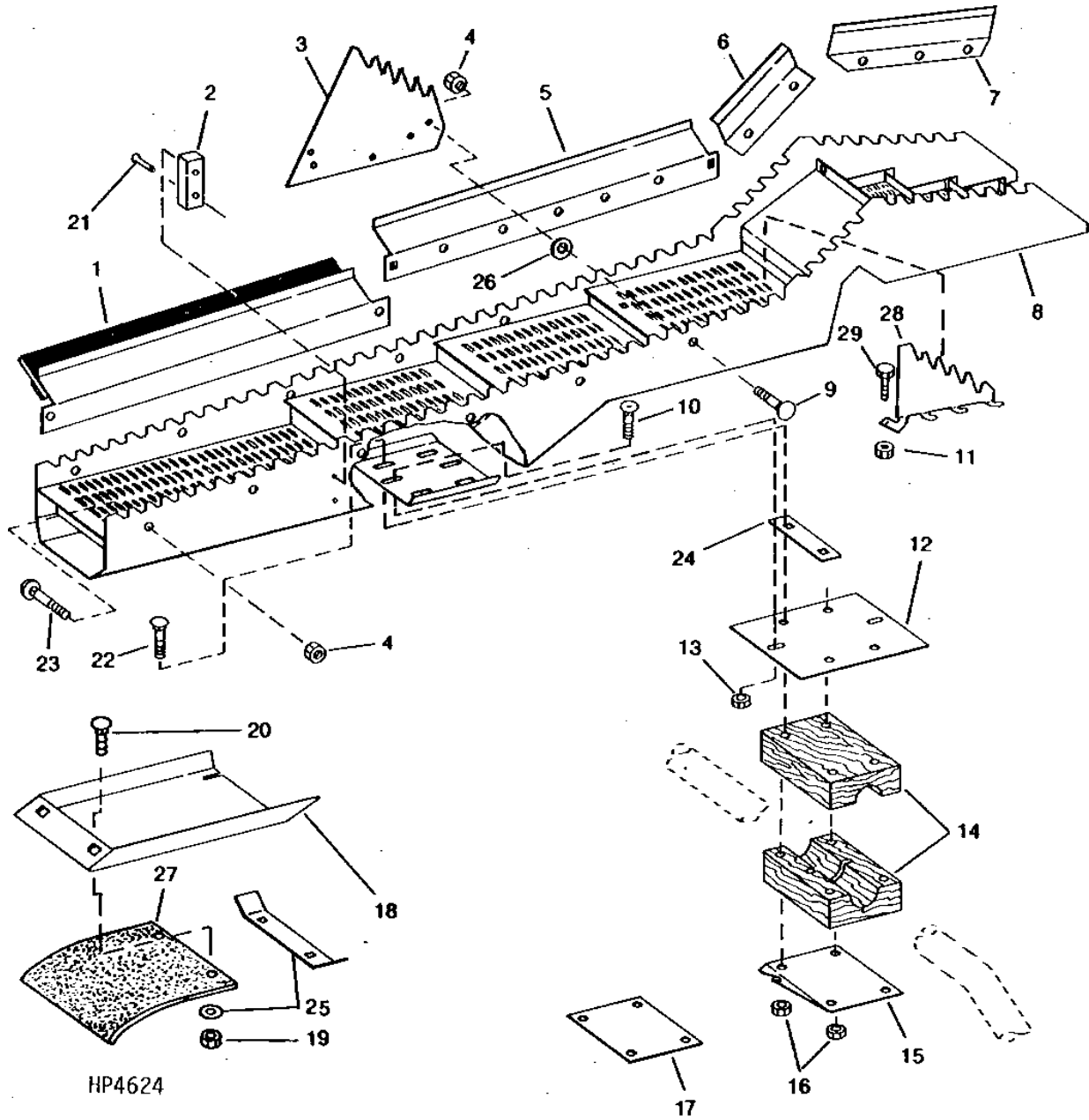
KEY	PART NO.	PART NAME	QTY	SERIAL NO.	REMARKS
1	14M7275	NUT	5		M12
2A	AH125966	ARM	2	-MAY92	(SUB AH138230)
2B	AH138230	LINK	2		
3	AH125200	BUSHING	6		
4	19M7821	SCREW	2		M12 X 120
5	H133768	SHEET	2		
6	24H1299	WASHER	7		3/8" X 1-1/4" X 0.065"
7	14M7298	FLANGE NUT	7		M8
8	03M7184	BOLT	7		M8 X 20
9	H133789	SEAL	1		
10	14M7275	NUT	4		M12
11	19M7819	SCREW	2		M12 X 90
12	AH125970	ARM	1		R.H.
	AH125969	ARM	1		L.H.
13	AH128909	GRAIN PAN	1		

2C15

FC: 5871

SEPARATOR

STRAW WALKERS (-1990)
HP4624 -UN-01JAN94



2C16

FC: 5871

SEPARATOR

STRAW WALKERS (-1990) - CONTINUED

KEY	PART NO.	PART NAME	QTY	SERIAL NO.	REMARKS
1	AH128735	SEAL	2		OUTSIDE WALKERS ONLY
2	H135225	STRIP	AR		BETWEEN WALKERS ONLY, (SUB H135923)
	H135923	STRIP	AR		
3	H131516	RISER	1		ONE PER WALKER EXCEPT R.H. OUTSIDE WALKER, (GRAIN)
4	14M7303	FLANGE NUT	3		M6
5	H131604	SEAL	2		OUTSIDE WALKERS ONLY
6	H131608	SEAL	2		OUTSIDE WALKERS ONLY
7	H131607	SEAL	2		OUTSIDE WALKERS ONLY
8	AH128530	STRAW WALKER	4	-FEB90	(SUB AH135380, (4) H140677, (2) H141313, (4) H141314, (8) 03M7192, (4) 03M7267, (8) 14M7400, (4) 14M7396) (USE H87268 W/LOSS MONITOR)
	AH135380	STRAW WALKER	4		
9	03M7251	BOLT	3		M6 X 12
10	03M7190	BOLT	1		M10 X 20
11	14M7298	FLANGE NUT	1		
12	H140019	RETAINER	1	-FEB90	(SUB AH136572) ON REAR BEARINGS ONLY
13	14M7296	FLANGE NUT	2		M10 ON REAR BEARINGS ONLY
14	H140070	BEARING	16	-FEB90	(SUB AH136572)
15	H140074	PLATE	2	-FEB90	(SUB AH136572)
16	14M7400	LOCK NUT	8		M10
17	H140072	PLATE	2	-FEB90	
18	H131661	PAN	1		
19	14M7396	LOCK NUT	2		M8 WITH EXTENSION PAN ONLY
	H131531	NUT	2	-JUL93	8 MM (0.315") (SUB M84309) RETAINS M8 BOLTS BEFORE EXTENSION PAN INSTALL
	M84309	NUT	2		7.925 MM (5/16")
20	03M7184	BOLT	AR		M8 X 20 WITH EXTENSION PAN ONLY
21	H85233	RIVET	2		4.750 MM
22	03M7333	BOLT	4		M10 X 110
23	03M7221	BOLT	AR		M6 X 16
24	H139667	STRAP	16		(SUB AH136572)
25	H128082	WASHER	1	-645400	
	H143615	REINFORCEMENT	1		
26	24H1292	WASHER	AR		11/32" X 3/4" X 0.120"
27	H140218	FLAP	4		
28	H141883	RISER	1		
29	19M7865	SCREW	1		M8 X 16
..	AH136572	BEARING	1		SUB. TO: (1) H140677 BEARING OR (1) H146078 PLATE OR (1) H141313 COVER OR (1) H141314 RETAINER AS REQUIRED

BH79481 (COMPLETE GOODS) CENTER RISERS

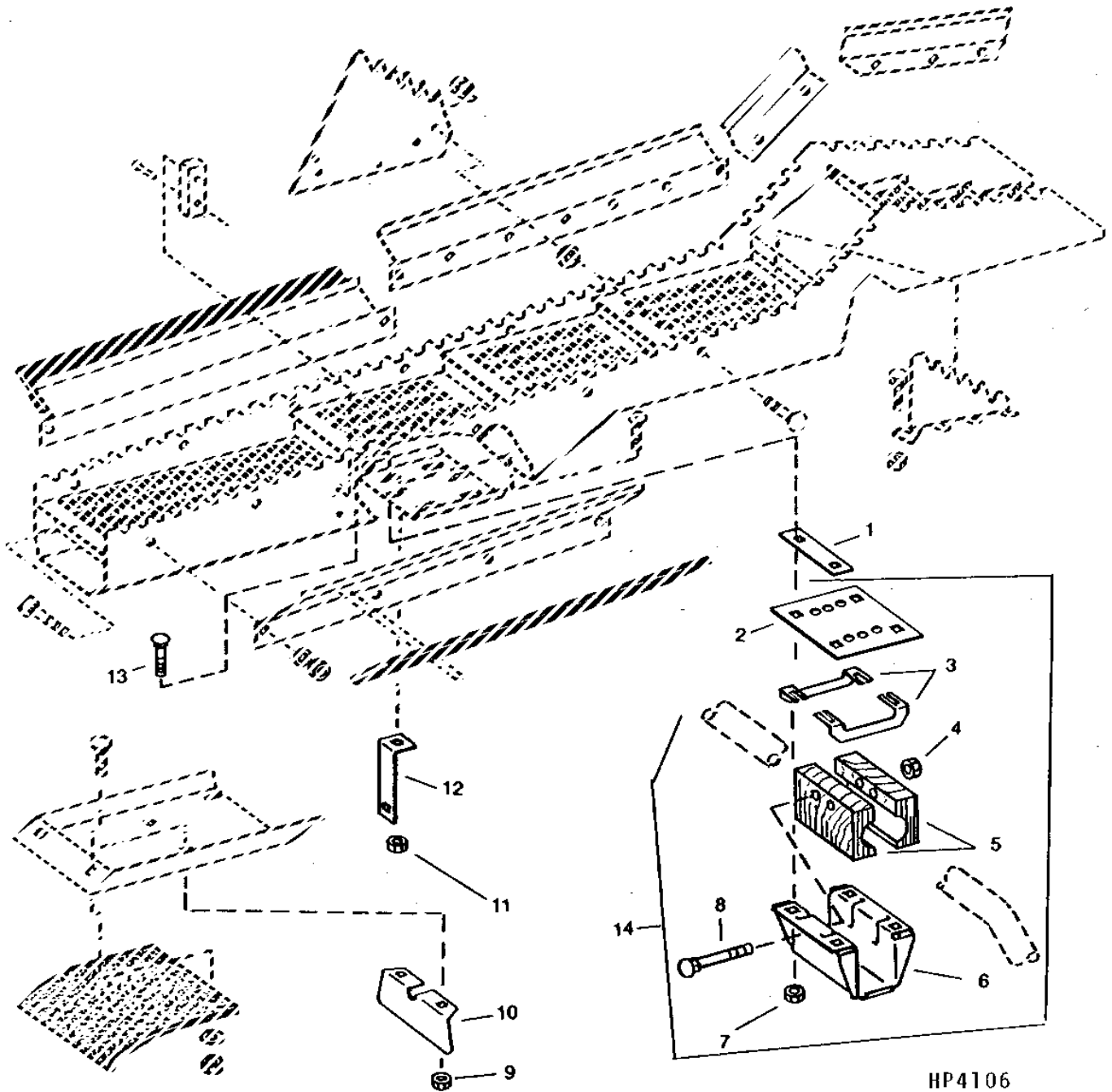
BH78364 (COMPLETE GOODS) STRAW WALKER FLAPS

2C17

FC: 5871

SEPARATOR

STRAW WALKER BEARING CONVERSION
(...-1990)
HP4106 -UN-01JAN94



2C18

FC: 5871

SEPARATOR

STRAW WALKER BEARING CONVERSION - CONTINUED
(-1990)

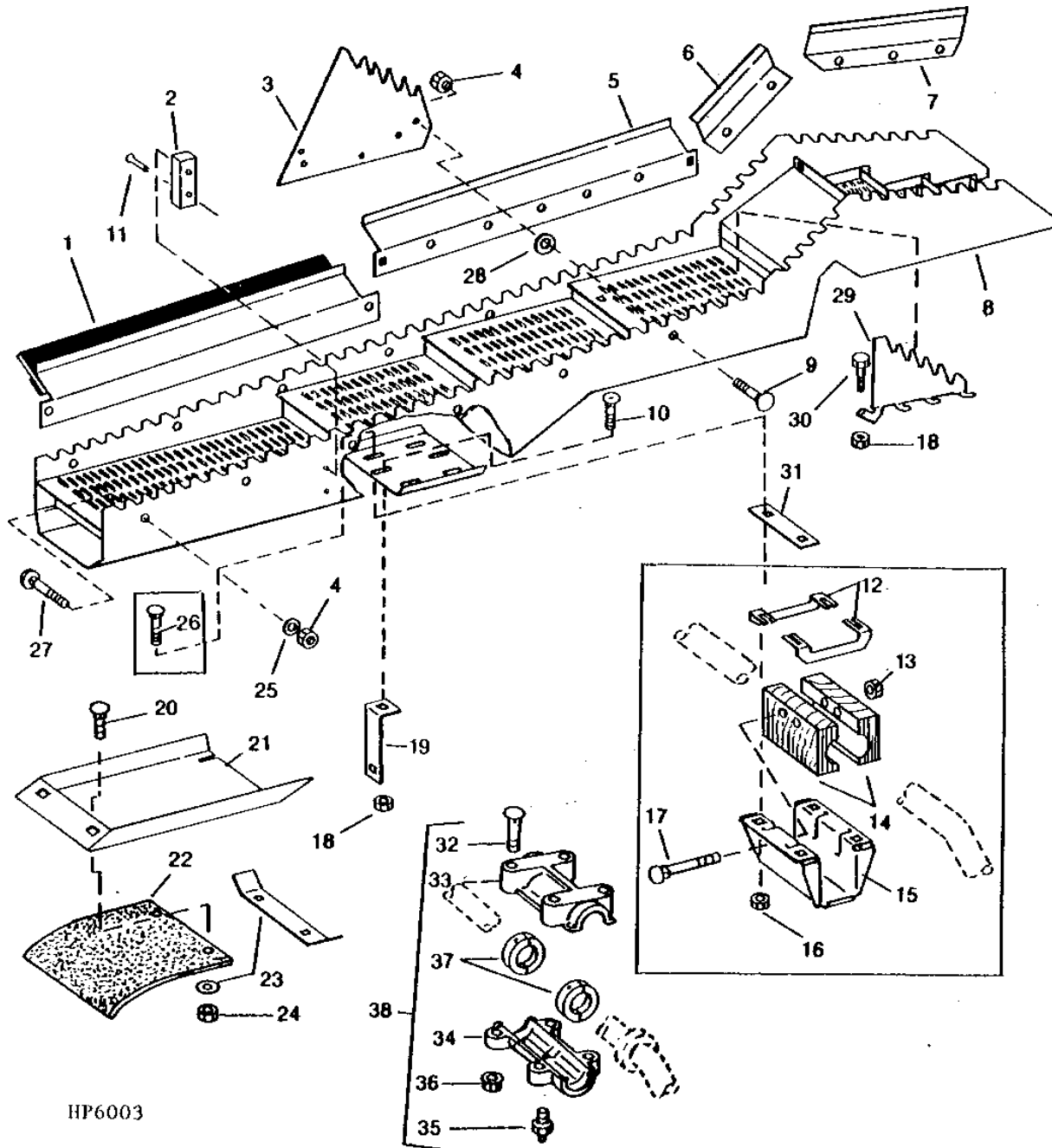
KEY	PART NO.	PART NAME	QTY	SERIAL NO.	REMARKS
1	H139667	STRAP	10	-FEB90	
2	H140678	PLATE	1	-FEB90	FRONT MOUNTING PAD ONLY
3	H141314	RETAINER	2	-FEB90	
4	14M7396	LOCK NUT	2		M8
5	H140677	BEARING	20	-FEB90	
6	H141313	COVER	1	-FEB90	
7	14M7400	LOCK NUT	8		M10
8	03M7267	BOLT	2		M8 X 80
9	14M7396	LOCK NUT	10		M8
10	H140414	DEFLECTOR	1	635431-	
11	14M7298	FLANGE NUT	2		M8, (THIS APPLICATION ONLY)
12	H87268	BRACKET	2		LOSS MONITOR BRACKET
13	03M7193	BOLT	4		M10 X 35, , FRONT
	03M7192	BOLT	4		M10 X 30, , REAR
14	AH136572	BEARING	1	-FEB90	KIT PROVIDES CONVERSION FOR ONE WALKER. SUB TO: (1) H140677 BEARING OR (1) H140678 PLATE OR (1) H141313 COVER OR (1) H141314 RETAINER AS REQUIRED

2C19

FC: 5871

SEPARATOR

STRAW WALKERS (WITH BEARING CONVERSION)
HP6003 -UN-01JAN94



2C20

FC: 5871

SEPARATOR

STRAW WALKERS (WITH BEARING CONVERSION) - CONTINUED

KEY	PART NO.	PART NAME	QTY	SERIAL NO.	REMARKS
1	AH128735	SEAL	2		
2	H135225	STRIP	AR		(SUB H135923)
	H135923	STRIP	AR		
3	H131516	RISER	1		ONE PER WALKER EXCEPT RIGHT HAND OUTSIDE WALKER (GRAIN)
4	14M7303	FLANGE NUT	3		
5	H131604	SEAL	2		
6	H131608	SEAL	2		
7	H131607	SEAL	2		
8	AH135380	STRAW WALKER	1		
9	03M7251	BOLT	3		M6 X 12
10	03M7184	BOLT	1		M8 X 20
11	H85233	RIVET	2		
12	H141314	RETAINER	2		-SEPT92
13	14M7396	LOCK NUT	2		-SEPT92 M8
14	H140677	BEARING	2		-SEPT92
15	H141313	COVER	1		-SEPT92
16	14M7400	LOCK NUT	8		-SEPT92 M10
17	03M7267	BOLT	2		-SEPT92 M8 X 80
18	14M7298	FLANGE NUT	2		M8
19	H87268	BRACKET	2		LOSS MONITOR BRACKET
20	03M7184	BOLT	2		M8 X 20
21	H131661	PAN	1		(THIS APPLICATION ONLY)
22	H140218	FLAP	1		SUNFLOWER FLAP
23	H128082	WASHER	2		-MAR90
	H143615	REINFORCEMENT	2		
24	14M7396	LOCK NUT	2		M8
	H131531	NUT	2		(SUB M84309) RETAINS M8 BOLTS BEFORE EXTENSION PAN INSTALL
	M84309	NUT	2		7.925 MM (5/16")
25	24M7055	WASHER	AR		8.400 X 16 X 1.600 MM
26	03M7192	BOLT	8		-SEPT92 M10 X 30
27	03M7221	BOLT	AR		M6 X 16
28	24H1292	WASHER	3		11/32" X 3/4" X 0.120"
29	H141883	RISER	1		CENTER RISER (RICE) (DOMESTIC)
30	19M7865	SCREW	1		M8 X 16
31	H139667	STRAP	2		
32	03M7359	BOLT	4	SEPT92-	M10 X 85, (FOR FRONT AND REAR BEARINGS)
33	H147747	BEARING	1	SEPT92-	UPPER; (FOR FRONT AND REAR BEARINGS)
34	H147748	BEARING	1	SEPT92-	LOWER; (FOR FRONT AND REAR BEARINGS)
35	JD7759	LUBRICATION FITTING	1	SEPT92-	(REAR BEARING ONLY)
36	14M7465	LOCK NUT	4	SEPT92-	M10, (FOR FRONT AND REAR BEARINGS)
37	AH141393	LOCKING COLLAR	2	SEPT92-	(FOR FRONT AND REAR BEARINGS) 8 PER CRANK
38	AH141819	BEARING	1	SEPT92-	REAR; (USE ON COMBINES WITH OLD CRANKSHAFT PRIOR TO 1993)

NOTE: QUANTITIES SHOWN ARE FOR (1) UNIT. (4) UNITS PER MACHINE

BH78364 (COMPLETE GOODS) STRAW WALKER FLAPS

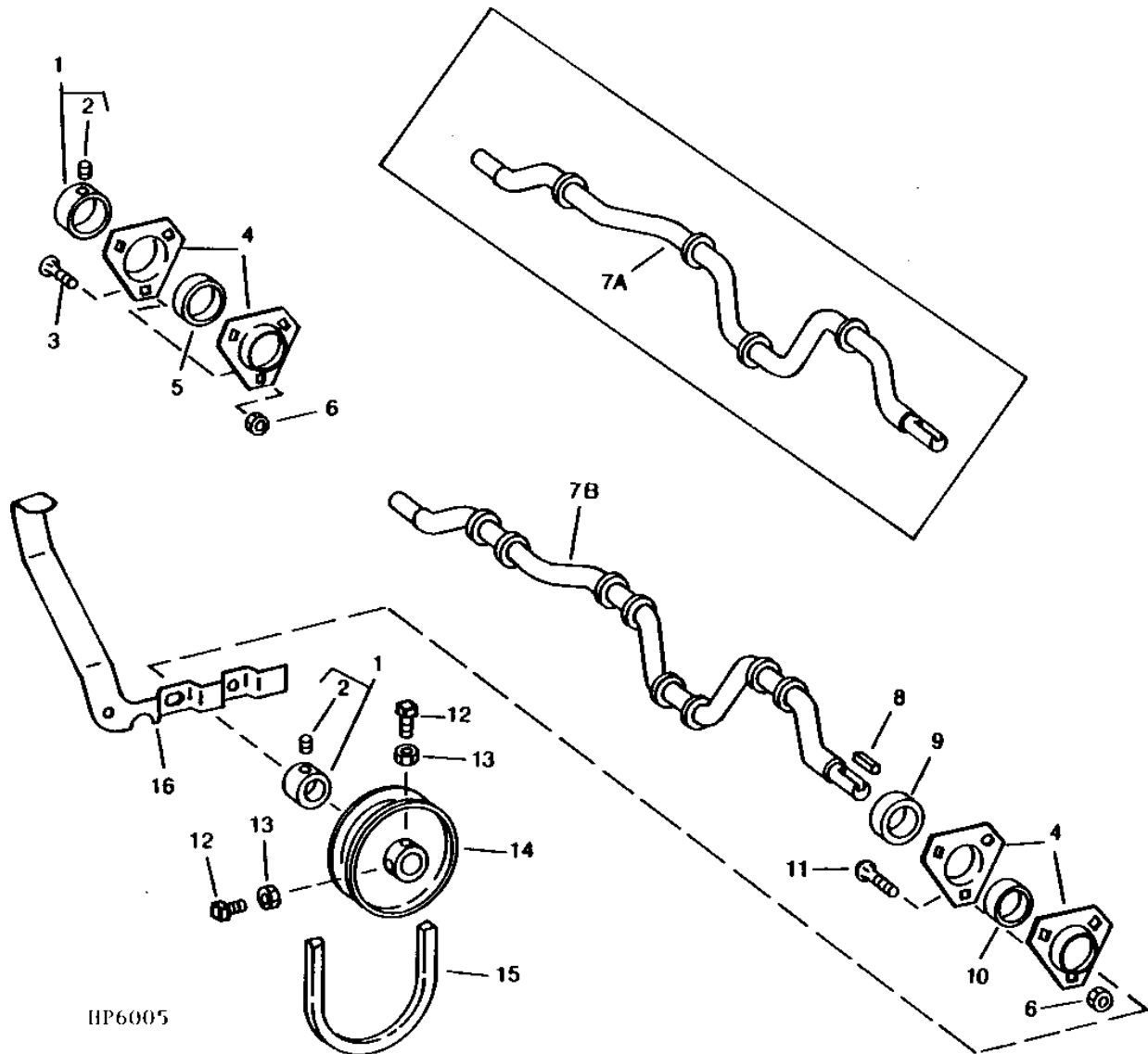
BH79481 (COMPLETE GOODS) CENTER RISERS

2C21

FC: 5873

SEPARATOR

STRAW WALKER CRANKS, STRAW SPREADER DRIVE AND SHIELD
HP6005 -UN-01JAN94



2C22

FC: 5873

SEPARATOR

STRAW WALKER CRANKS, STRAW SPREADER DRIVE AND SHIELD - CONTINUED

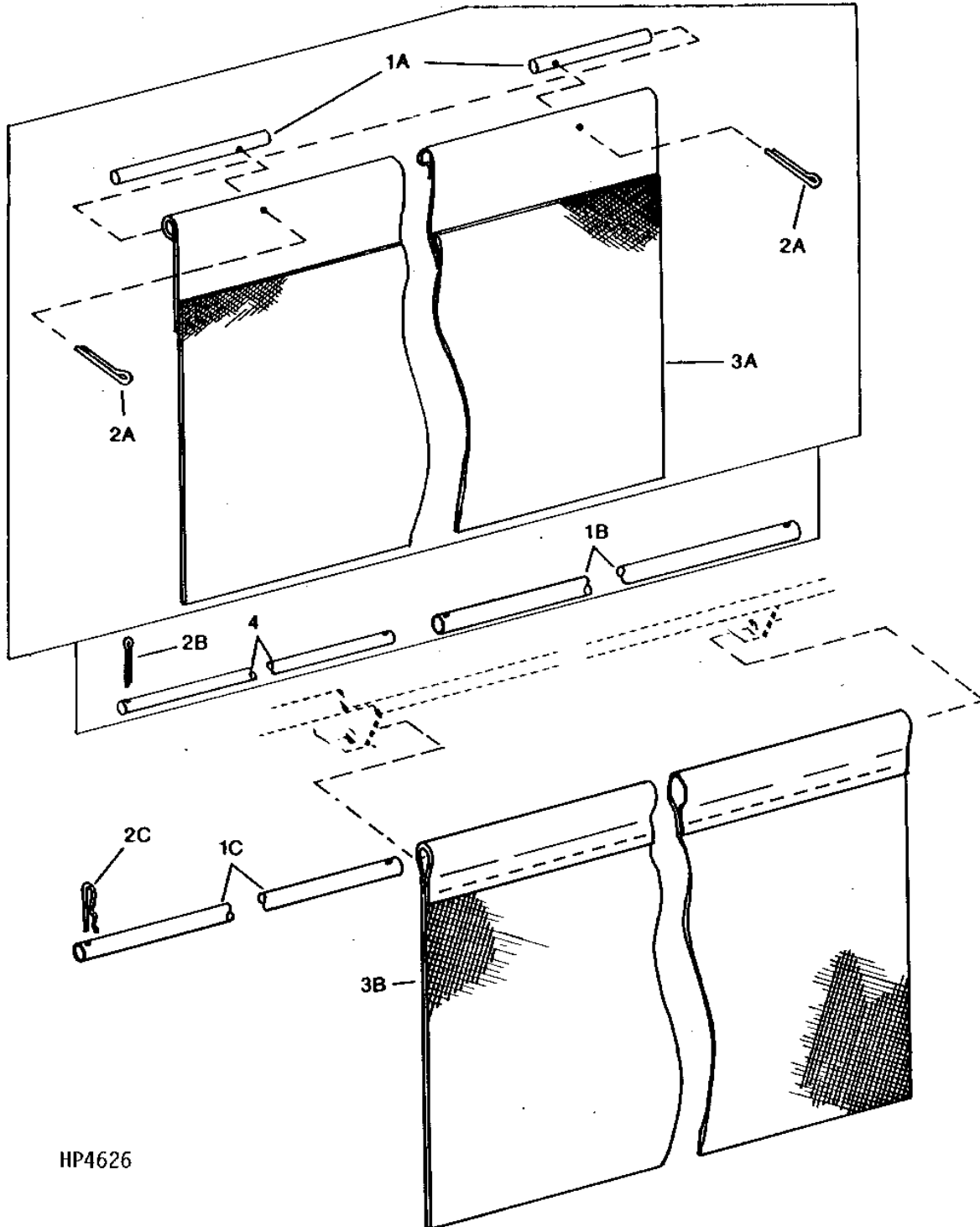
KEY	PART NO.	PART NAME	QTY	SERIAL NO.	REMARKS
1	AH133191	ECCENTRIC LOCKING COLLAR	3		L.H. ON FRONT CRANK AND BOTH ON REAR CRANK
2	22M7081	SET SCREW	3		M10 X 10
3	03M7191	BOLT	12		M10 X 25
4	H103265	PRESSED FLANGED HOUSING	8		
5	AZ19427	BALL BEARING	1		FRONT L.H. ONLY
6	14M7296	FLANGE NUT	6		M10
7A	AH131348	SHAFT	1	-SEPT92	(SUB AH139916) (ALSO REQUIRES (4) H147747, (4) H147748, (4) AH145263 OR (4) AH145262, (16) 03M7218 AND (16) 14M7400); FRONT CRANK ONLY
	AH131350	SHAFT	1	-SEPT92	(SUB AH139918) (ALSO REQUIRES (4) AH141819 OR (4) H147747, (4) H147748, (4) JD7759, (16) 03M7218 AND (16) 14M7400); REAR CRANK ONLY
7B	AH139916	SHAFT	1	-SEPT94	(SUB AH145603) (REQUIRES (4) AH145263 OR (4) AH145262 OR (4) H147747, (4) H147748, (16) 03M7218 AND (16) 14M7400); FRONT CRANK ONLY
	AH145603	SHAFT	1		
	AH139918	SHAFT	1	-SEPT94	(SUB AH145604) (REQUIRES (4) AH141819 OR (4) H147747, (4) H147748, (4) JD7759, (16) 03M7218 AND (16) 14M7400); REAR CRANK ONLY
	AH145604	SHAFT	1		
8	49M4118	SHAFT KEY	1		
9	H135519	SPACER	1		FRONT R.H. ONLY
10	AH132823	BALL BEARING	1		FRONT R.H. ONLY
	JD39104	BALL BEARING	2		REAR CRANK ONLY
11	03M7190	BOLT	1		M10 X 20
12	H138435	SET SCREW	2		
13	14M7274	NUT	2		M10
14	AH114359	SHEAVE	1		STRAW SPREADER DRIVE (L.H. REAR)(I D 1.370)
15	H128234	BELT	1		STRAW SPREADER DRIVE
16	H140020	GUIDE	1		

2C23

FC: 5871

SEPARATOR

SEPARATOR CURTAIN
HP4626 -UN-01JAN94



HP4626

2C24

FC: 5871

SEPARATOR

**SEPARATOR CURTAIN - CONTINUED
(RASP BAR CYLINDER)**

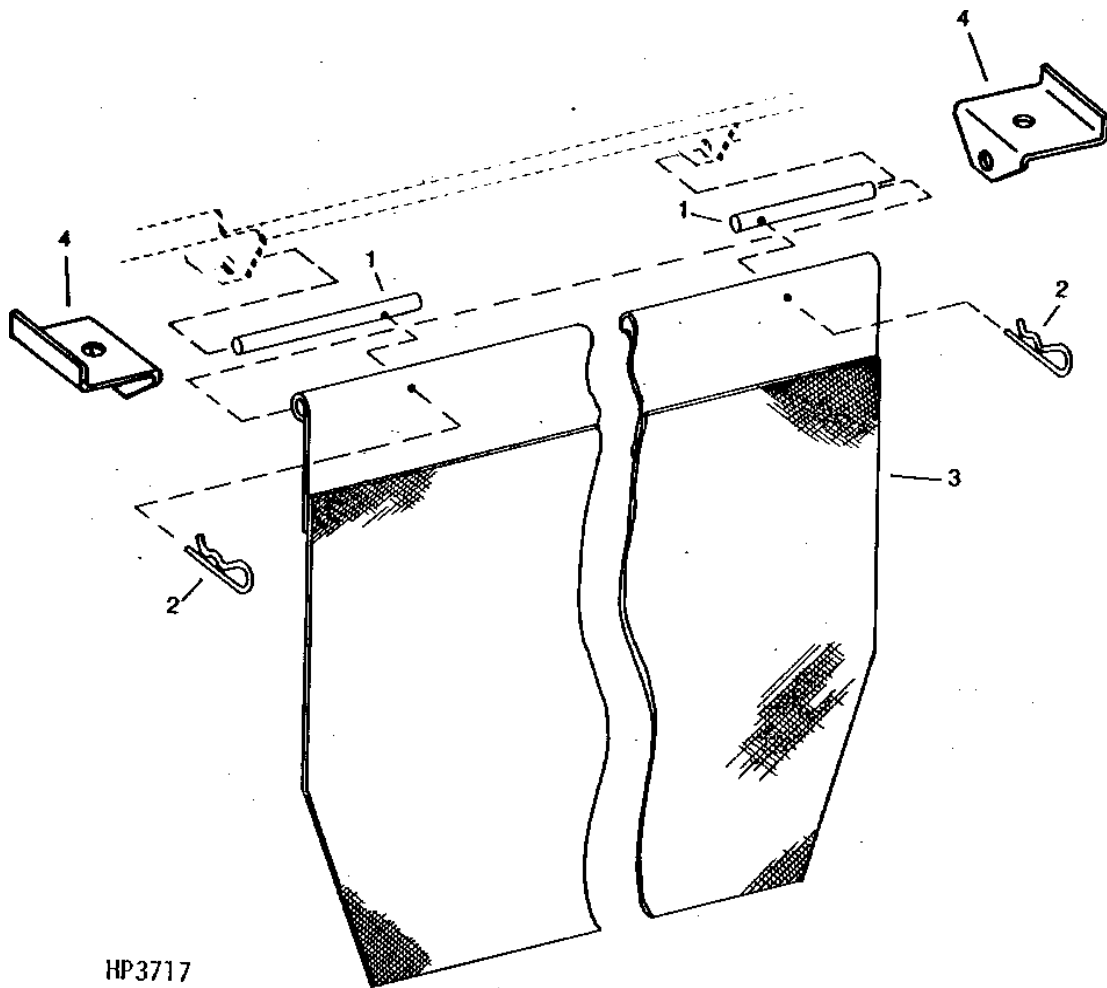
KEY	PART NO.	PART NAME	QTY	SERIAL NO.	REMARKS
1A	H131865	PIN	2	-FEB91	(SUB H145880)
1B	H145880	PIPE	1	-FEB91	
1C	H144825	PIPE	1	FEB91-	
2A	11M7059	COTTER PIN	2	-FEB91	
2B	11H211	COTTER PIN	2	FEB91-SEPT92	(SUB 11M1383)
	11M1383	COTTER PIN	2		
2C	A15147	SPRING LOCKING PIN	2	FEB91-	
3A	AH125391	LIMIT CURTAIN	1	-FEB91	(SUB H144823 AND H145880 AND H76863 AND (2) 11M1383)
3B	H144823	LIMIT CURTAIN	1		
4	H76863	PIN	2	-FEB91	

2D1

FC: 5842

SEPARATOR

SPREADER CURTAIN
HP3717 -UN-01JAN94



HP3717

2D2

FC: 5842

SEPARATOR

SPREADER CURTAIN - CONTINUED

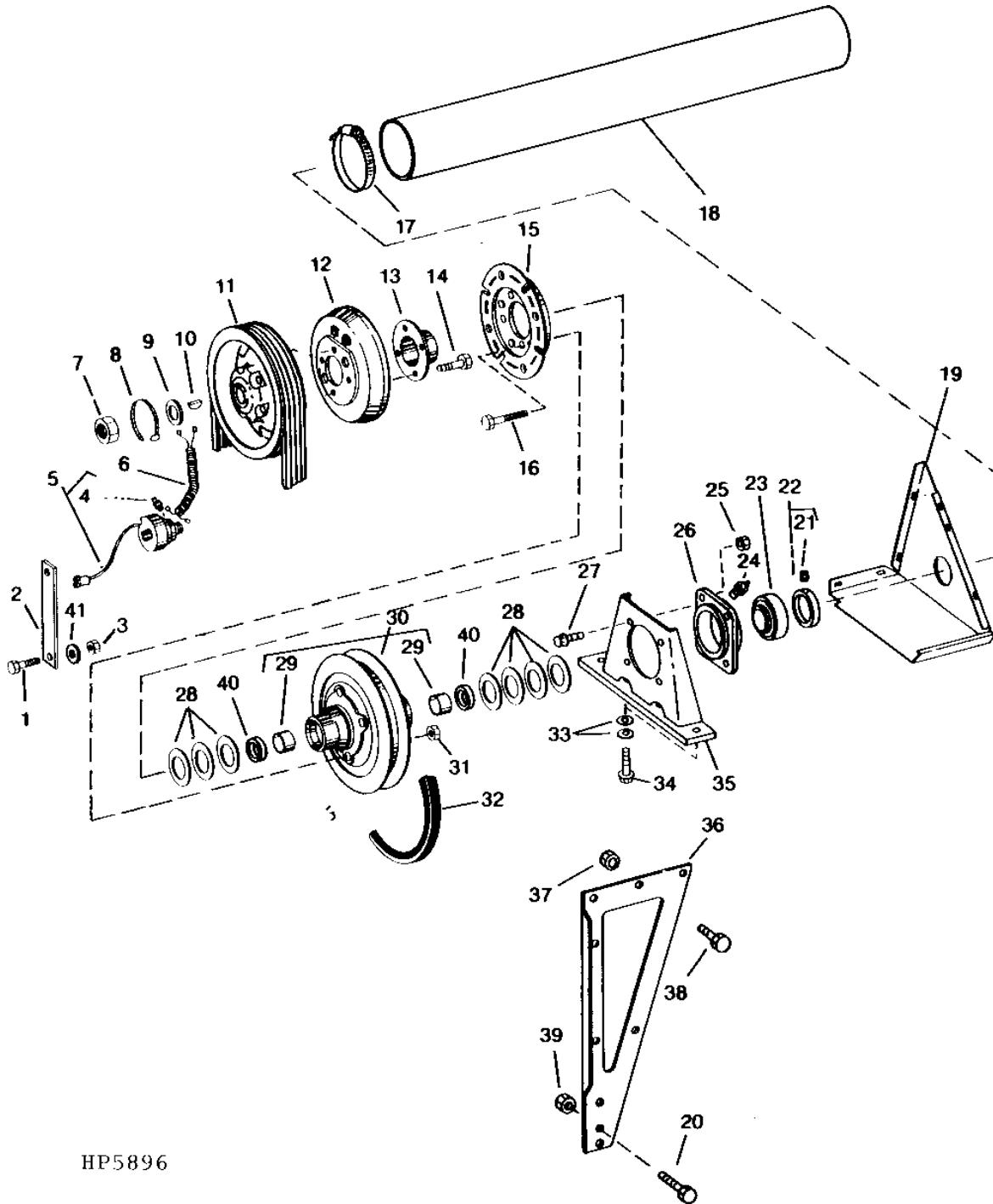
KEY	PART NO.	PART NAME	QTY	SERIAL NO.	REMARKS
1	H131865	PIN	2		
2	11H229	COTTER PIN	2		
3	AH135658	LIMIT CURTAIN	1		3/32" X 2", (SUB 11M7086)
4	H135209	BRACKET	2		
	19M7865	SCREW	2		M8 X 16
	14M7298	FLANGE NUT	2		M8

2D3

FC: 5181

SEPARATOR

HEADER ELECTROMAGNETIC CLUTCH AND MOUNTING
HP5896 -UN-10NOV94



HP5896

2D4

FC: 5181

SEPARATOR

HEADER ELECTROMAGNETIC CLUTCH - CONTINUED

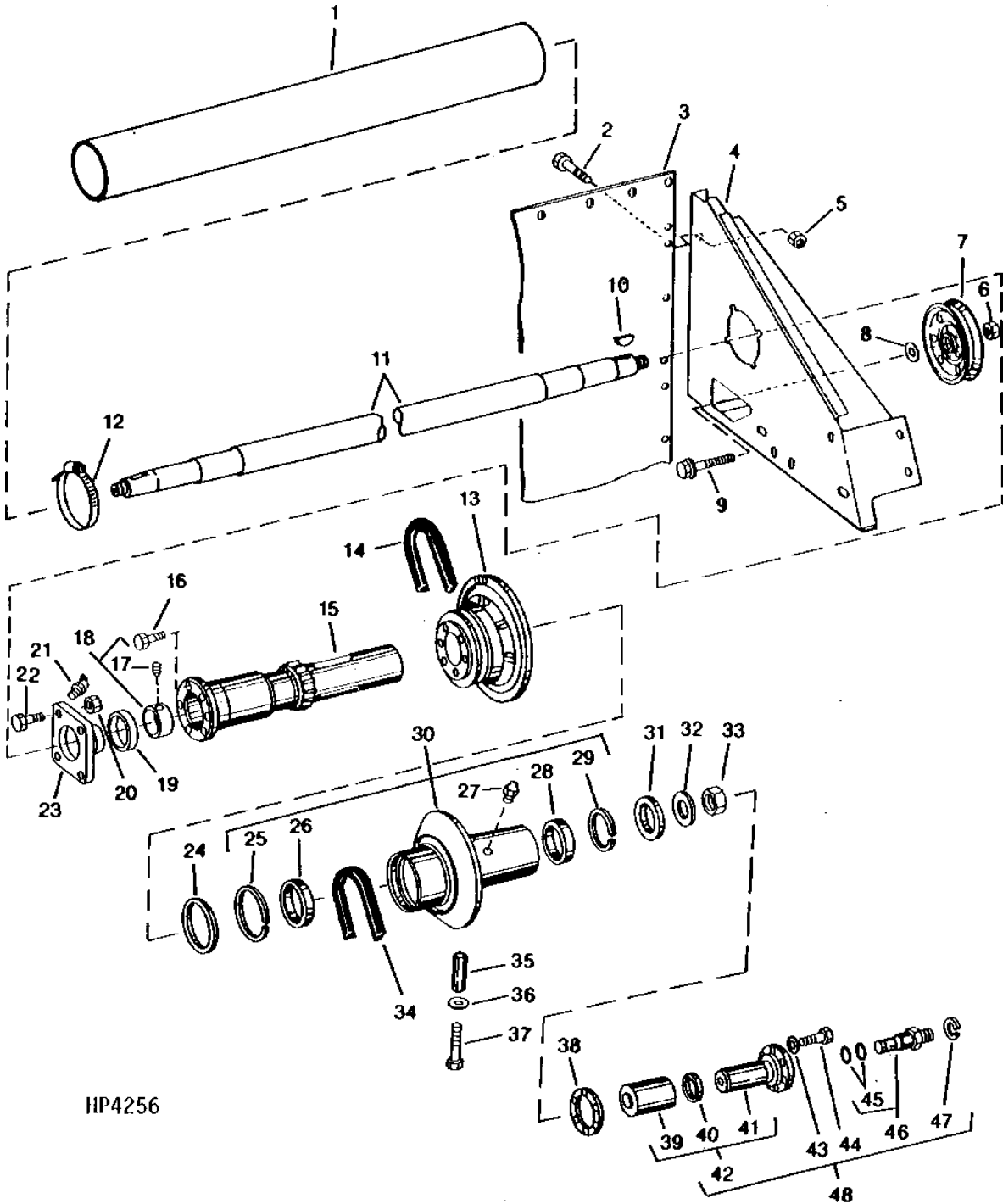
KEY	PART NO.	PART NAME	QTY	SERIAL NO.	REMARKS
1	19M7775	SCREW	1		M6 X 16
2	H134773	STRAP	1		
3	14M7303	FLANGE NUT	1		M6
4	JD7797	LUBRICATION FITTING	1		
5	AH130582	DEVICE	1		
6	AH134207	WIRING HARNESS	1		
7	H82620	LOCK NUT	1		31.750 MM (1-1/4")
8	H77698	TIE BAND	1		
9	24H1218	WASHER	1		1-9/32" X 3" X 0.120"
10	26H114	SHAFT KEY	1		1/2" X 2-3/4"
11	H200118	SHEAVE	1		
12	AH121658	FIELD WINDING COIL	1		
13	H129676	RING	1		
14	19M7791	SCREW	8		M12 X 40
15	AH96244	ARMATURE	1		
16	19M7817	SCREW	1		
17	AR60499	CLAMP	1		(INCLUDED IN AH141389 KIT)
18	POWERSHAFT SHIELD	1		(SUB AH141389)
19	AH135565	SHEET	1		
20	19M7785	SCREW	5		M10 X 25
21	22H821	SET SCREW	1		1/2" X 1/2"
22	JD8668	ECCENTRIC LOCKING COLLAR	1		
23	JD10017	BALL BEARING	1		
24	JD7845	LUBRICATION FITTING	1		
25	14M7296	FLANGE NUT	4		M10
26	H133618	HOUSING	1		
27	19M7786	SCREW	4		M10 X 30
28	24H1590	SHIM	AR		0.018"
29	H200116	BUSHING	2		
30	AH200708	SHEAVE	1		
31	14M7299	FLANGE NUT	4		M12
32	H140160	BELT	1		
33	24H1315	WASHER	4		13/32" X 2-1/8" X 0.134"
34	19M8162	CAP SCREW	2		M10 X 40
35	AH200180	SUPPORT	1		
36	H131228	ANGLE	1		
37	14M7298	FLANGE NUT	4		M8
38	19M7866	SCREW	4		M8 X 20
39	14M7296	FLANGE NUT	4		M10
40	AM17171	SEAL	2		
41	24M7207	WASHER	1	MAR94-	
..	AH141389	KIT	1		POWERSHAFT KIT

2D5

FC: 5732

SEPARATOR

PRIMARY COUNTERSHAFT, SUPPORTS AND VARIABLE SHEAVE
HP4256 -UN-01JAN94



HP4256

2D6

FC: 5732

SEPARATOR

PRIMARY COUNTERSHAFT, SUPPORTS AND VARIABLE SHEAVE - CONTINUED

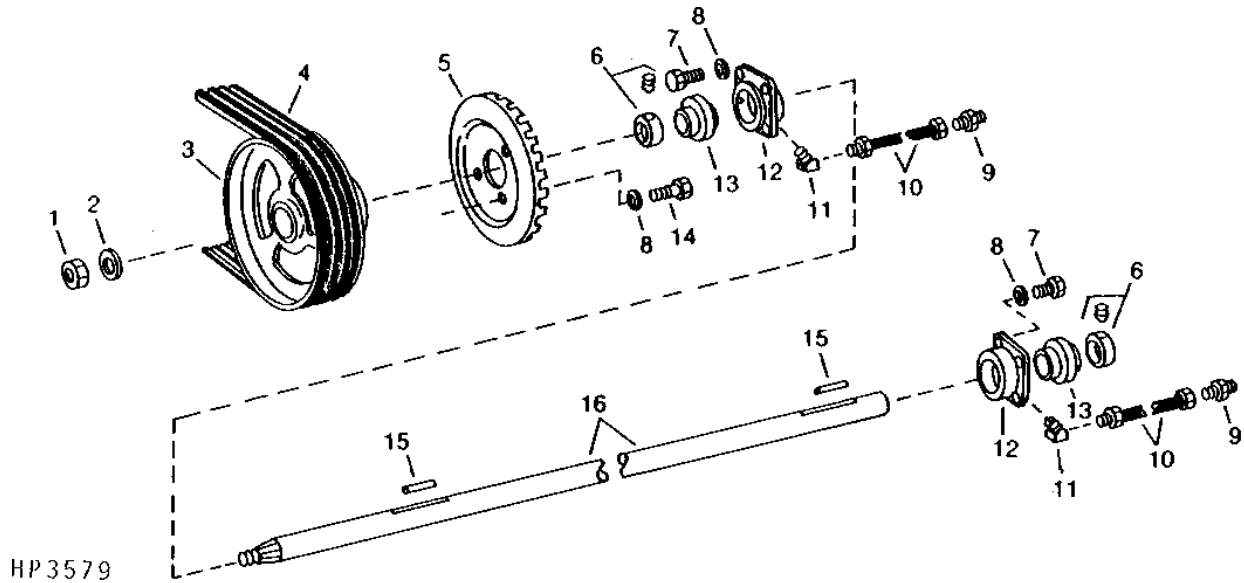
KEY	PART NO.	PART NAME	QTY	SERIAL NO.	REMARKS
1	POWERSHAFT SHIELD	1	(SUB AH141389)	
2	19M7866	SCREW	AR	M8 X 20	
3	H130903	SHEET	1	-640400	
	H143385	SHEET	1	640401-	
	H145530	SHEET	1		
4	AH135295	SHEET	1	(SUB AH135077)	
5	14M7298	FLANGE NUT	AR	M8	
6	14M7291	FLANGE NUT	1	M16	
7	AH97031	SHEAVE	1		
8	24M7053	WASHER	1	17 X 30 X 3 MM	
9	19M7794	SCREW	1	M16 X 50	
10	26H114	SHAFT KEY	1	1/2" X 2-3/4"	
11	H200117	DRIVE SHAFT	1		
12	AR60499	CLAMP	1		
13	H115755	HALF SHEAVE	1		
14	H128010	BELT	1		
15	H127196	HOUSING	1		
16	19M7835	SCREW	6	M10 X 35	
	19M7786	SCREW	6	M10 X 30	
17	22H821	SET SCREW	1	1/2" X 1/2"	
18	JD8668	ECCENTRIC LOCKING COLLAR	1		
19	JD8669	BALL BEARING	1		
	JD10017	BALL BEARING	1		
20	14M7296	FLANGE NUT	4	M10, PRIMARY TO SECONDARY COUNTERSHAFT DRIVE	
21	JD7788	LUBRICATION FITTING	1		
22	19M7786	SCREW	4	M10 X 30	
23	H115930	HOUSING	1		
	H133618	HOUSING	1		
24	AH94853	SEAL	1		
25	H93631	SNAP RING	1		
26	H93630	BUSHING	1		
27	JD7798	LUBRICATION FITTING	1		
28	H123557	SPACER	1	(SUB H148131)	
29	P48691	SNAP RING	1		
30	AH122685	SHEAVE	1	(SUB AH141820)	
31	AH87141	SEAL	1		
32	24H1668	WASHER	1	1-17/64" X 2-1/4" X 0.134"	
33	H82620	LOCK NUT	1	31.750 MM (1-1/4")	
34	H115759	BELT	1	PRIMARY TO INTERMEDIATE CYLINDER DRIVE	
35	H110237	PIN	1		
36	24M7178	WASHER	2	10.500 X 30 X 2.500 MM	
37	19M7784	SCREW	2	M10 X 20	
38	H102533	SHIM	AR		
39	BARREL	1	(SUB AH125193)	
40	H97306	SEAL	1		
41	PISTON	1	(SUB AH125193)	
42	AH125193	CYLINDER	1		
	AH133974	CYLINDER	1		
43	12H304	LOCK WASHER	6	3/8"	
44	19H1732	CAP SCREW	6	3/8" X 1-1/4"	
45	R27564	O-RING	2		
46	AH124376	UNION FITTING	1	(SUB AH139238)	
47	H135292	SNAP RING	1		
48	AH128284	CYLINDER	1	(SUB AH124376, AH125193, AH139238 AND H135292) (KIT)	
..	AH141389	KIT	1	POWERSHAFT KIT	

2D7

FC: 5731

SEPARATOR

SINGLE RANGE CYLINDER DRIVE
HP3579 -UN-01JAN94



2D8

FC: 5731

SEPARATOR

SINGLE RANGE CYLINDER DRIVE - CONTINUED

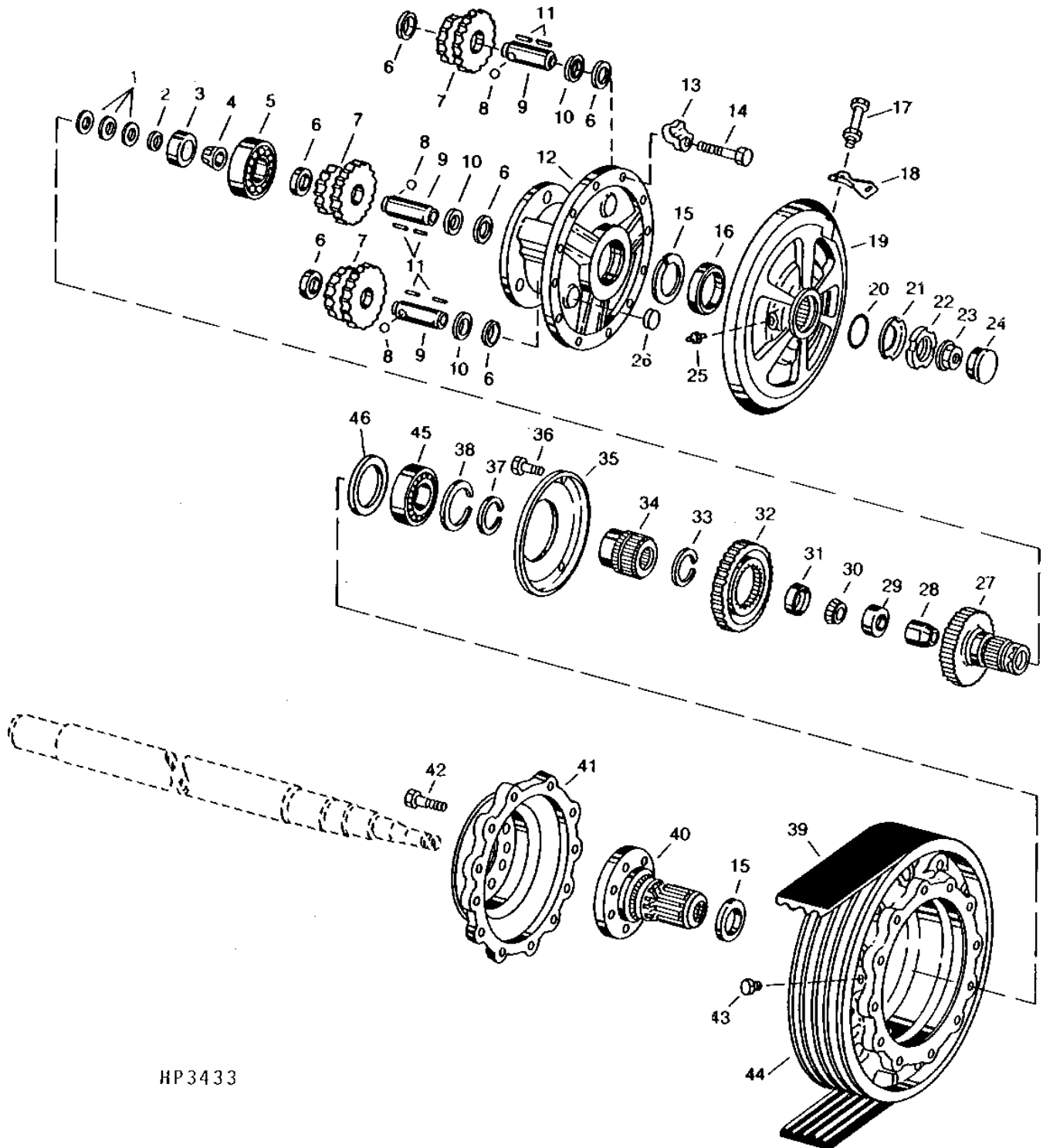
KEY	PART NO.	PART NAME	QTY	SERIAL NO.	REMARKS
1	H138085	LOCK NUT	1		
2	24H1509	WASHER	1		1-25/64" X 2-1/2" X 0.194"
3	H93645	SHEAVE	1		
4	H115881	BELT	1		
5	H128297	WHEEL	1		
6	JD10342	ECCENTRIC LOCKING COLLAR	1		
7	19H1732	CAP SCREW	4		3/8" X 1-1/4"
8	12H304	LOCK WASHER	4		3/8"
9	JD7759	LUBRICATION FITTING	2		
10	AH121009	HOSE	2		
11	JD7845	LUBRICATION FITTING	2		
12	H99149	HOUSING	2		
13	JD10343	BALL BEARING	2		
14	19H1936	CAP SCREW	3		3/8" X 3/4"
15	SHAFT KEY	2		(CUT FROM H64376) IN AH64587 KEY STOCK KIT
16	H127972	SHAFT	1	-640400	(SUB H145970)
	H145970	SHAFT	1		USED WITH SINGLE RANGE CYLINDER DRIVE
	H140043	SHAFT	1		USED WITH DUAL RANGE CYLINDER DRIVE

2D9

FC: 5731

SEPARATOR

DUAL-RANGE CYLINDER DRIVE GEAR CASE
HP3433 -UN-01JAN94



HP3433

2D10

FC: 5731

SEPARATOR

DUAL-RANGE CYLINDER DRIVE GEAR CASE - CONTINUED

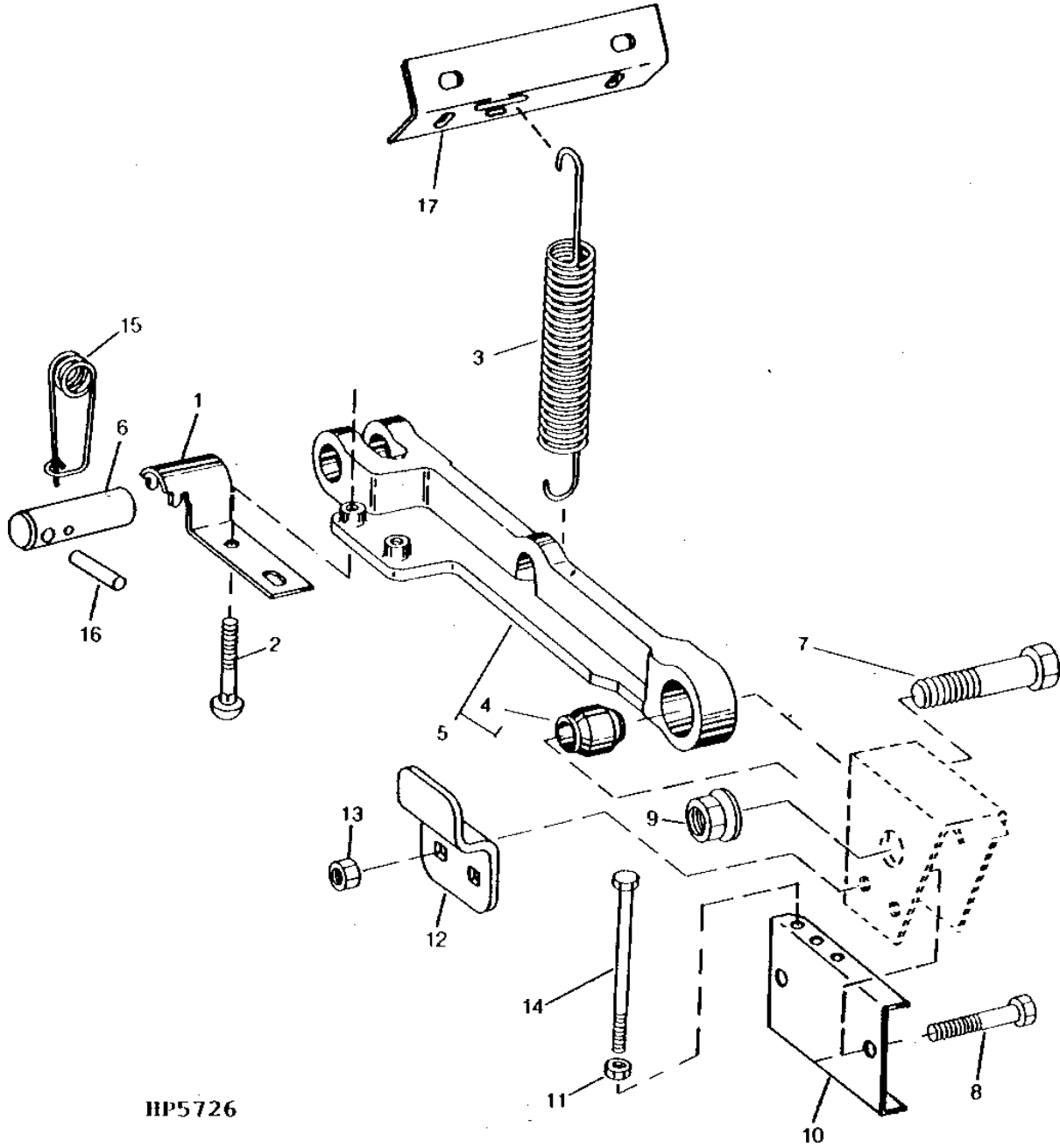
KEY	PART NO.	PART NAME	QTY	SERIAL NO.	REMARKS
1	H111260	SHIM	AR		0.05 THICK
	H111261	SHIM	AR		0.10 THICK
	H111262	SHIM	AR		0.25 THICK
2	H111041	WASHER	1		
3	JD8239	BEARING CUP	1		
4	JD8960	BEARING CONE	1		
5	AH108801	BALL BEARING	1		
6	R71758	THRUST WASHER	6		
7	H113947	PINION	3		
8	H871R	BALL	3		
9	H113627	PINION SHAFT	3		
10	R71756	WASHER	3		
11	R84261	PIN	132		
12	H118082	COVER	1		
13	H127855	RETAINER	3		
14	19M8162	CAP SCREW	12		M10 X 40
	12H304	LOCK WASHER	9		3/8"
15	H117703	SHIM	1		
16	AH112883	SEAL	1		
17	19H2151	CAP SCREW	1		1/4" X 3"
	M63707	LOCK NUT	1		
18	H127590	LUG	1		
19	H113208	WHEEL	1		
20	U10063	O-RING	1		
21	H112877	LOCK WASHER	1		
22	E12305	NUT	1		
23	H113238	FLANGE NUT	1		
24	H110521	CAP	1		
25	JD7797	LUBRICATION FITTING	1		
26	H110462	PLUG	3		
27	H113063	GEAR	1		
28	H111042	SPACER	1		
29	JD7441	BEARING	1		
30	JD10214	BEARING CONE	1		
31	AH110887	SEAL	1		
32	H113946	GEAR	1		
33	T47836	SNAP RING	1		
34	H114687	QUILL	1		
35	H110337	RING	1		
36	R38131	CAP SCREW	3		
37	R80R	SNAP RING	1		
38	H114688	SNAP RING	1		
39	H115881	BELT	1		
40	H126829	HUB	1		
41	H126722	SHEAVE	1		
42	19M7785	SCREW	8		M10 X 25
43	AH109056	PIPE PLUG	1		
44	H114689	SHEAVE	1		
45	JD10032	BALL BEARING	1		
46	AF1466R	SEAL	1		
..	T43512	SEALANT	1		SIZE: 50 ML. (CANADA PART NO. TY9477)
..	TY15130	SEALANT	1		SIZE: 3 OZ. (CANADA PART NO. TY9484)
..	TY6305	PRIMER	1		SIZE: 6 OZ. AEROSOL (CANADA PART NO. TY9485)
..	TY6304	SEALANT	1		(CANADA PART NO. TY9483)
..	TY6333	GREASE	1		SIZE- 14 OZ. TUBE
..	AH134859	GEAR CASE	1		(DOES NOT INCLUDE H115881)

2D11

FC: 5731

SEPARATOR

DUAL-RANGE LOCKOUT ARM
HP5726 -UN-01JAN94



HP5726

2D12

FC: 5731

SEPARATOR

DUAL-RANGE LOCKOUT ARM - CONTINUED

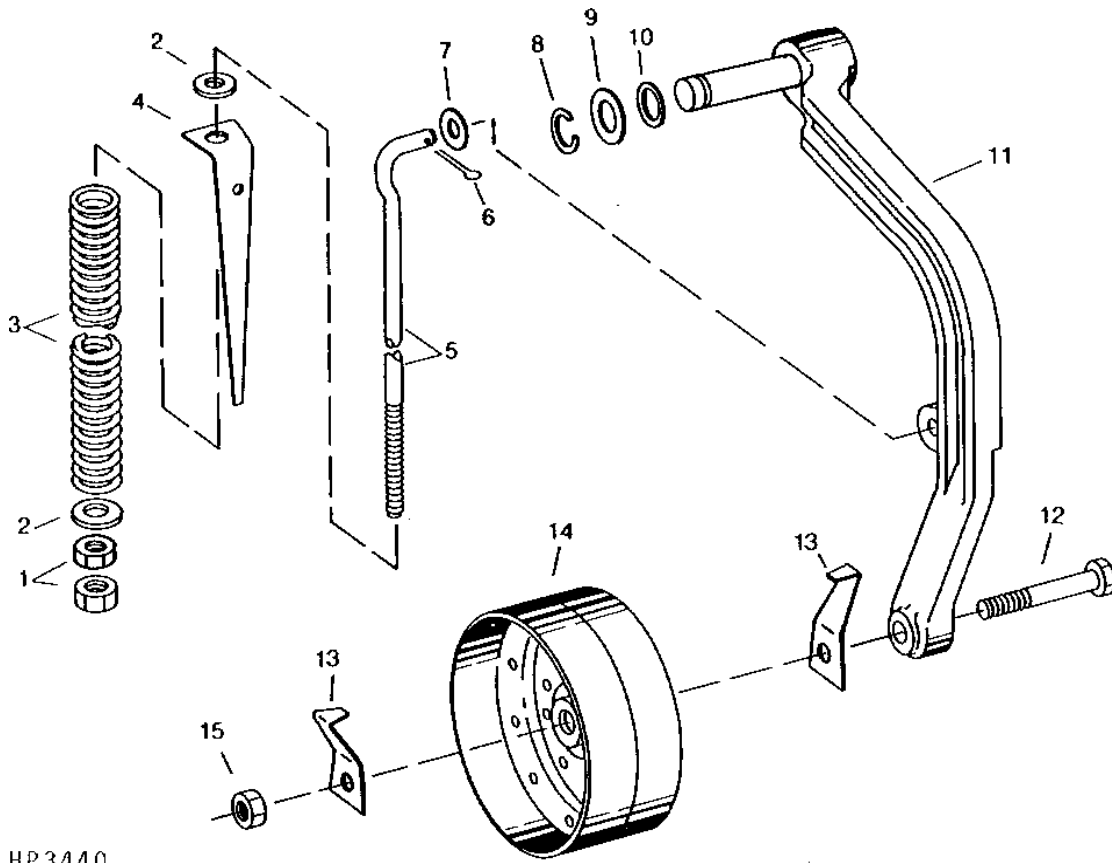
KEY	PART NO.	PART NAME	QTY	SERIAL NO.	REMARKS
1	H139709	RETAINER	1		
2	19M7867	SCREW	2		M8 X 25
3	M45123	EXTENSION SPRING	1		
4	AH80384	ISOLATOR	1		
	AH143746	RUBBER MOUNT	1	MAR94-	
5	AH131070	ARM	1		(SUB AH143747)
	AH143747	ARM	1		
6	H110542	PIN	1		
7	19M7826	SCREW	1		M16 X 70
8	03M7184	BOLT	1		M8 X 20
9	14M7291	FLANGE NUT	1		M16
10	AH139180	KIT	1		
11	M63707	LOCK NUT	3		6.350 MM
12	H127732	GUIDE	1		
13	14M7298	FLANGE NUT	1		M8
14	19H2151	CAP SCREW	3		1/4" X 3", SHEAR BOLTS
15	H114001	QUICK LOCK PIN	1		
16	34M7036	SPRING PIN	1		5 X 45 MM
17	H200149	ANGLE	1		

2D13

FC: 5731

SEPARATOR

DUAL-RANGE CYLINDER DRIVE TIGHTENER
HP3440 -UN-01JAN94



2D14

FC: 5731

SEPARATOR

DUAL-RANGE CYLINDER DRIVE TIGHTENER - CONTINUED

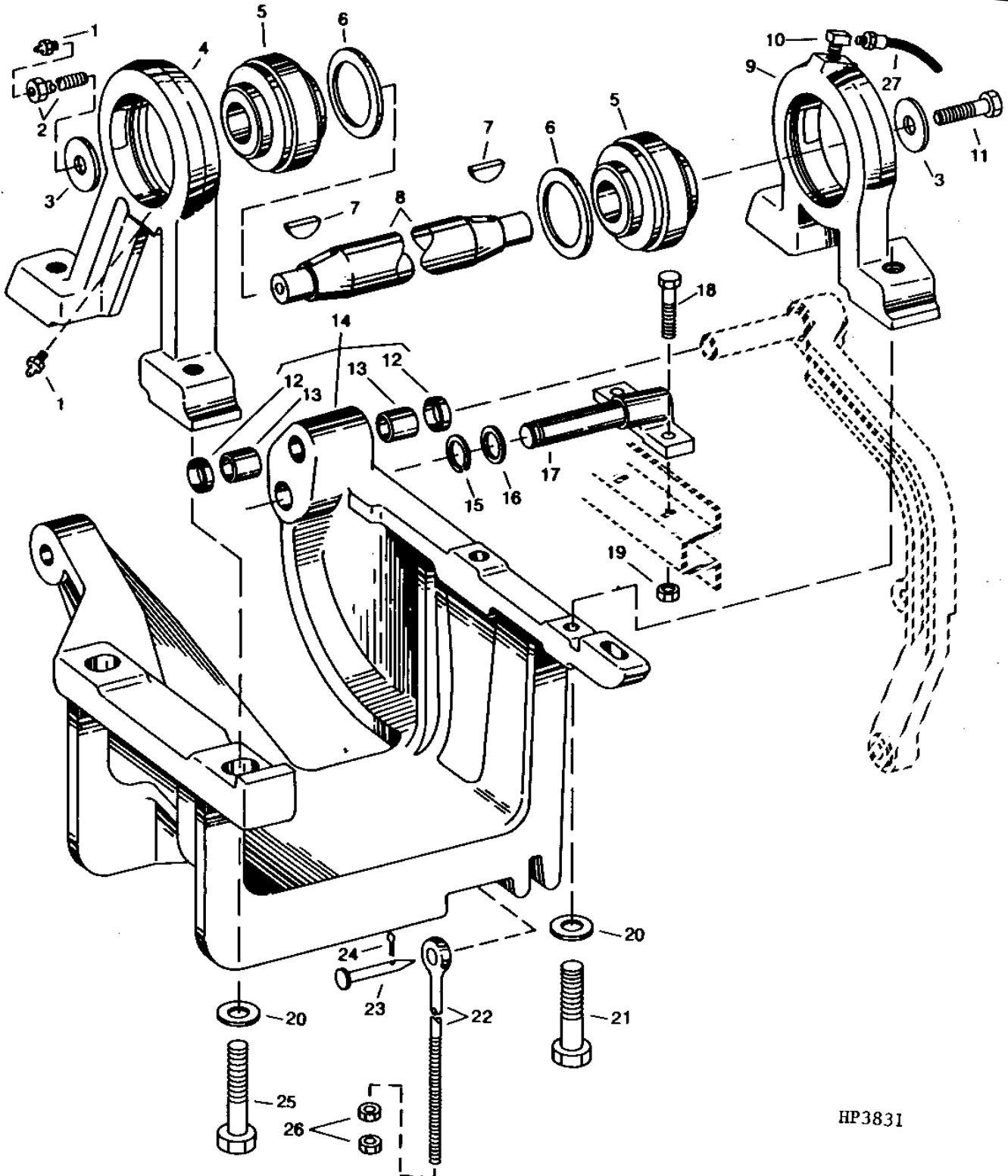
KEY	PART NO.	PART NAME	QTY	SERIAL NO.	REMARKS
1	14M7276	NUT	2	M16	
2	24H1373	WASHER	2		21/32" X 1-9/16" X 0.180"
3	N61654	SPRING	1		
4	H116862	GAUGE	1		
5	H116861	HOOK BOLT	1		
6	11M7028	COTTER PIN	1		5 X 32 MM
7	24M7053	WASHER	1		17 X 30 X 3 MM
8	P46402	SNAP RING	1		
9	24H1447	WASHER	AR		1-1/32" X 1-1/2" X 0.036" (USE FOUR OR LESS)
10	24H1448	WASHER	1		1-1/32" X 1-1/2" X 0.120"
11	AH113139	ARM	1		
12	19M7818	SCREW	1		M12 X 80
13	H94386	BRACKET	2		
14	AH111447	IDLER	1	-JUN92	(SUB AH141762)
	AH141762	IDLER	1		
15	14M7299	FLANGE NUT	1	M12	

2D15

FC: 5731

SEPARATOR

DUAL-RANGE CYLINDER DRIVE INTERMEDIATE SHAFT MOUNTING
HP3831 -UN-01JAN94



HP3831

2D16

FC: 5731

SEPARATOR

DUAL-RANGE CYLINDER DRIVE INTERMEDIATE SHAFT MOUNTING - CONTINUED

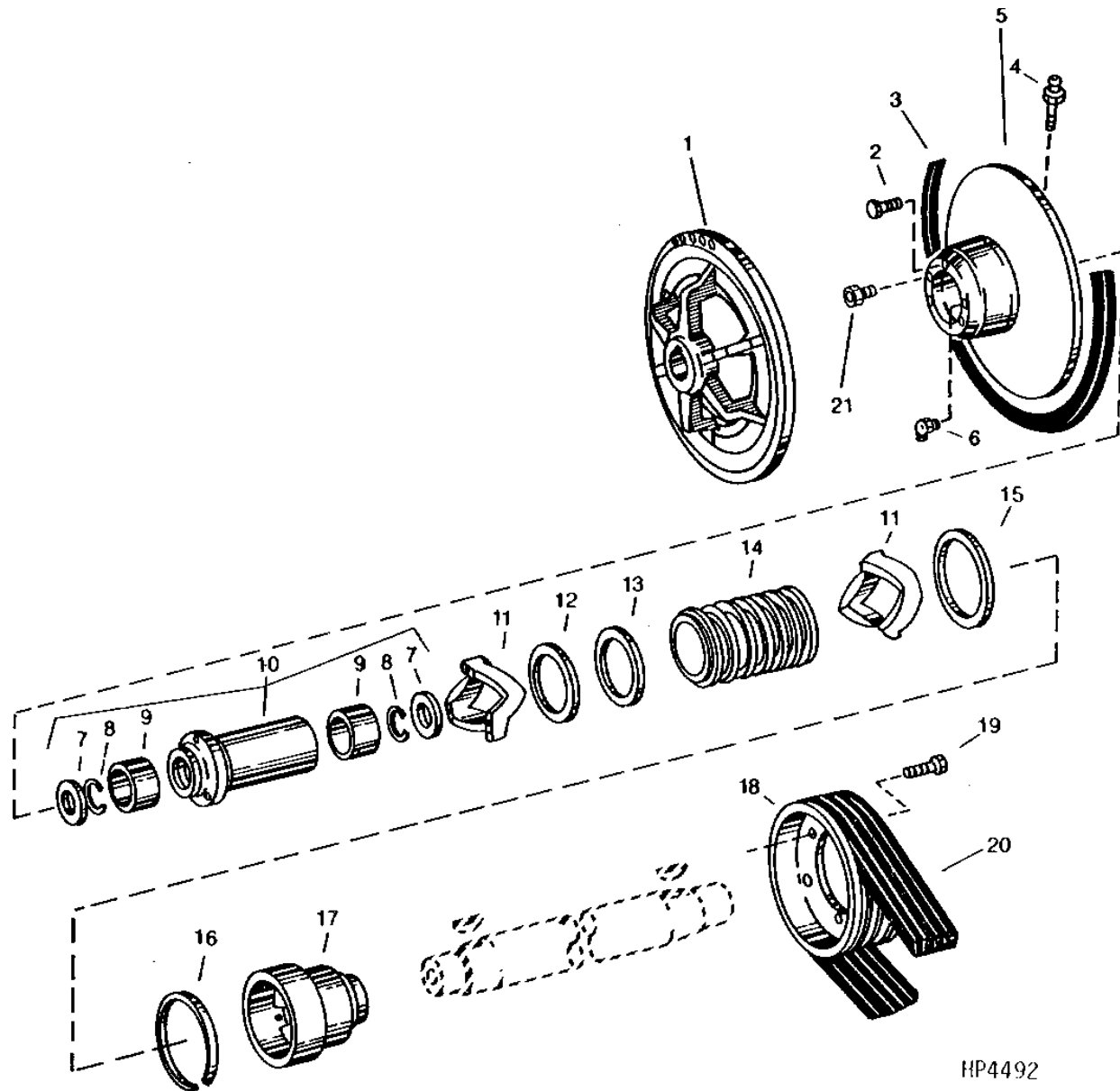
KEY	PART NO.	PART NAME	QTY	SERIAL NO.	REMARKS
1	JD7759	LUBRICATION FITTING	2		
2	H110168	SCREW	1		
3	R20135	WASHER	2		
4	H121134	HOUSING	1		
5	AH108813	BALL BEARING	2		
6	E18993	WASHER	2		
7	26M6787	SHAFT KEY	2		10 X 32 MM
8	H115596	SHAFT	1	-NOV92	(SUB H148241)
	H148241	SHAFT	1		
9	H119210	HOUSING	1		
10	JD7839	LUBRICATION FITTING	1		
11	19M7793	SCREW	1		M16 X 40, WITH BUSHINGS
12	AA5607R	SEAL	2		
13	H99147	BUSHING	2		
14	AH122451	SUPPORT	1		
15	M2353T	SNAP RING	1		
16	24H1513	WASHER	1		1-13/32" X 2" X 0.060"
17	H127596	PIN	1		
18	19M7898	SCREW	2		M10 X 130
19	14M7296	FLANGE NUT	2		M10
20	T20217	WASHER	4		
21	19H3057	CAP SCREW	2		1/2" X 2-3/4"
22	H127583	EYEBOLT	1		
23	T22714	PIN	1		
24	11M7028	COTTER PIN	1		5 X 32 MM
25	19M8306	SCREW	2		M12 X 50
26	14M7291	FLANGE NUT	2		M16
27	AH121007	HOSE	1		

2D17

FC: 5731

SEPARATOR

DUAL-RANGE CYLINDER DRIVE INTERMEDIATE SHEAVE
HP4492 -UN-01JAN94



HP4492

2D18

FC: 5731

SEPARATOR

DUAL-RANGE CYLINDER DRIVE INTERMEDIATE SHEAVE - CONTINUED

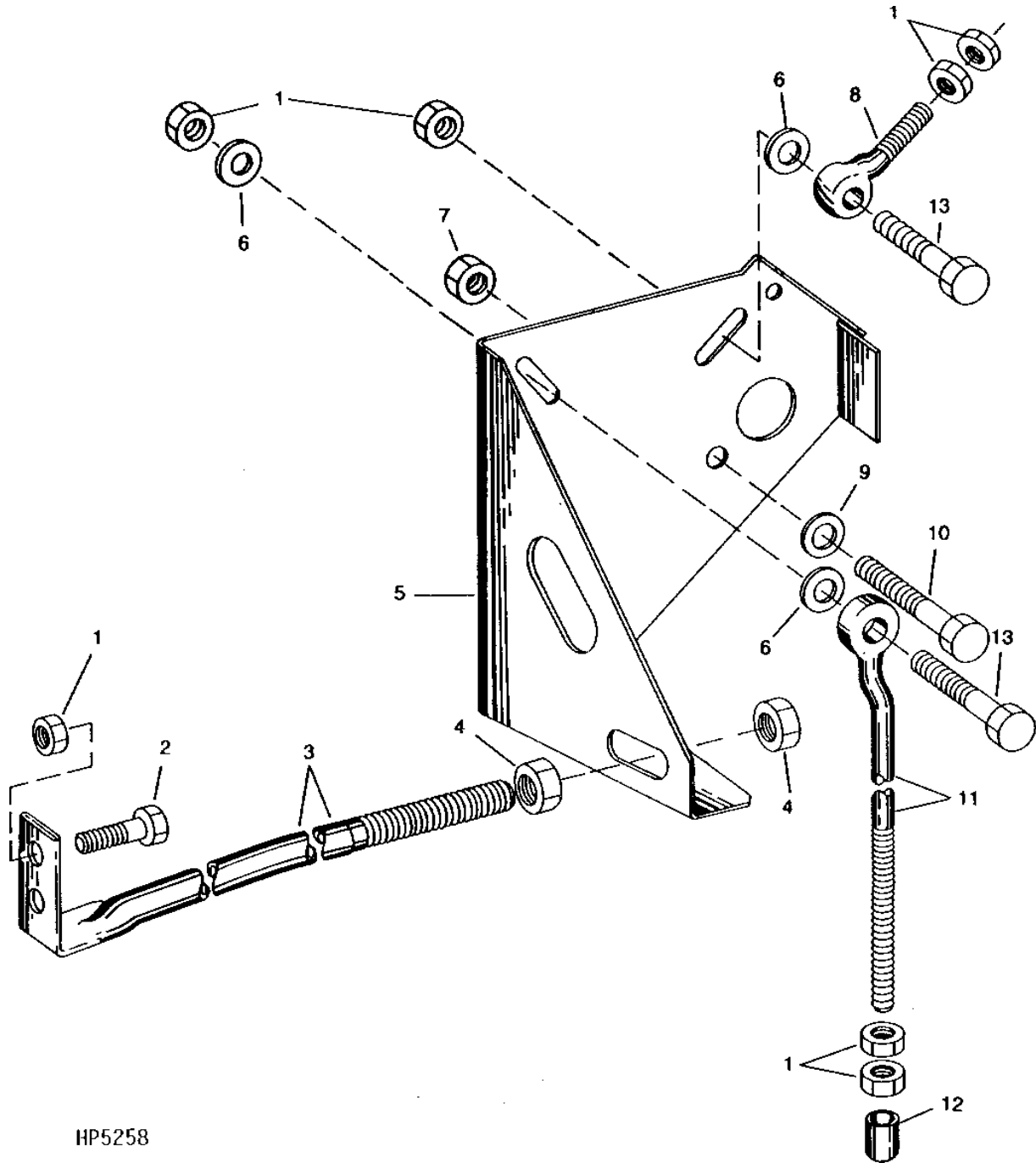
KEY	PART NO.	PART NAME	QTY	SERIAL NO.	REMARKS
1	H115599	SHEAVE	1	(SUB H145955)	
	H145955	SHEAVE	1		
2	19M7789	SCREW	3	M12 X 30	
3	H115759	BELT	1		
4	JD7759	LUBRICATION FITTING	1	1/8" STRAIGHT	
5	H125530	SHEAVE	1	(SUB AH106296, AH141973 AND H144038)	
6	JD7806	LUBRICATION FITTING	1		
7	AH106110	SEAL	2		
8	B3118R	SNAP RING	2		
9	H125528	BUSHING	2		
10	AH120907	HUB	1		
11	H141735	CAM	2	(SUB H145243)	
	H129878	CAM	2	(EXTENDED RANGE)	
12	H96227	WASHER	1		
13	H96232	WASHER	1		
14	AH108693	SPRING ASSEMBLY	1		
15	AH94854	SEAL	1	-635467	(SUB AH136497)
	AH136497	SEAL	1		
16	H107389	RING	1		
17	H125531	HUB	1	(SUB H146394)	
18	H125391	SHEAVE	1		
19	19M7818	SCREW	3	M12 X 80	
20	H115881	BELT	1		
21	AH106296	BREATHER	1		

2D19

FC: 5731

SEPARATOR

DUAL-RANGE CYLINDER DRIVE ADJUSTING BRACKET
HP5258 -UN-01JAN94



HP5258

2D20

FC: 5731

SEPARATOR

DUAL-RANGE CYLINDER DRIVE ADJUSTING BRACKET - CONTINUED

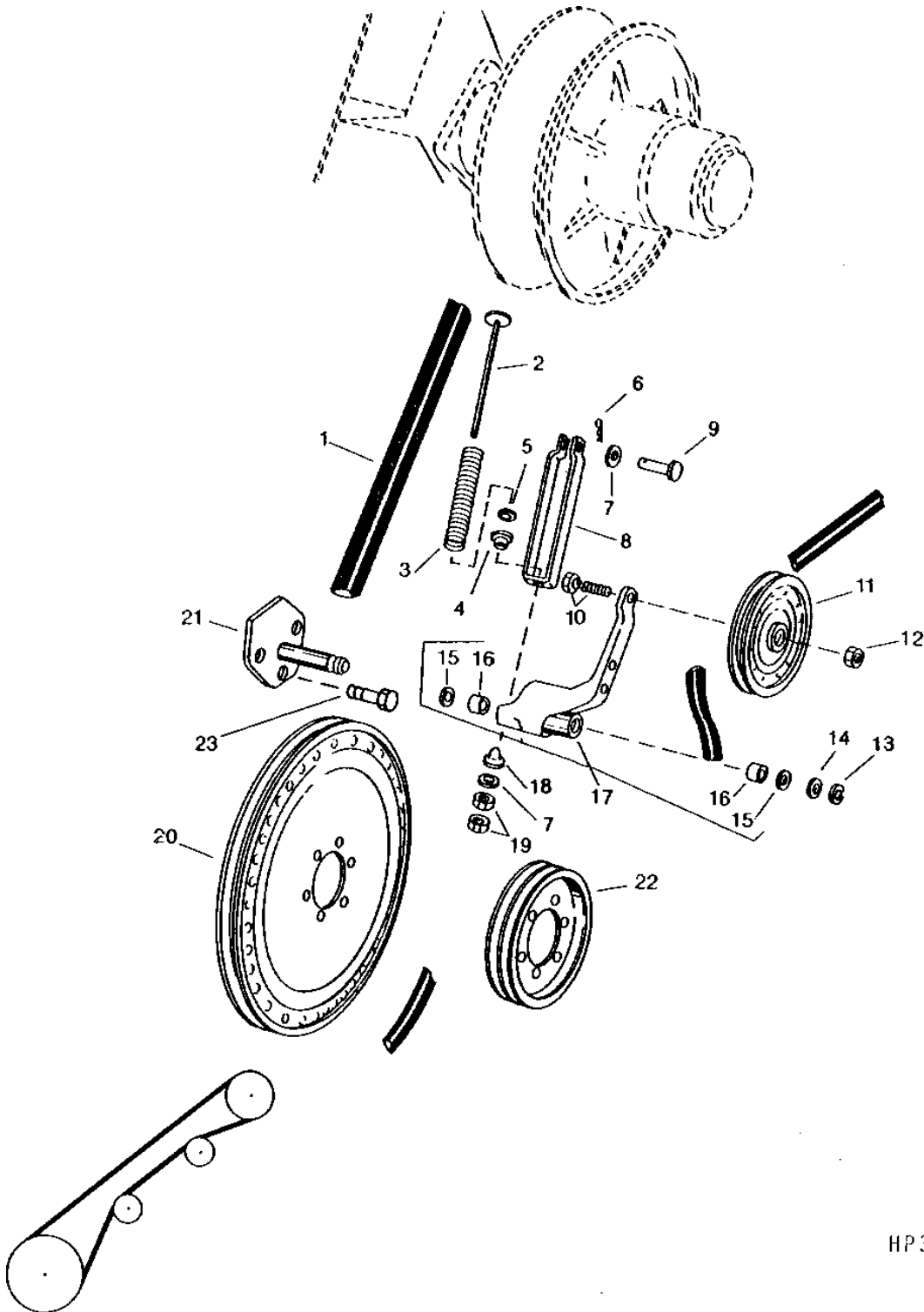
KEY	PART NO.	PART NAME	QTY	SERIAL NO.	REMARKS
1	14M7299	FLANGE NUT	8	M12	
2	19M7837	SCREW	2	M12 X 110	
3	AH126538	BRACE	1		
4	14M7300	FLANGE NUT	2	M20	
5	H131482	SUPPORT	1		
	H137721	BRACKET	1		(FOR EXTENDED RANGE)
6	24M7047	WASHER	3	13 X 24 X 2.500 MM	
7	14M7291	FLANGE NUT	1	M16	
8	H116065	EYEBOLT	1		
9	24M7053	WASHER	1	17 X 30 X 3 MM	
10	19M8046	CAP SCREW	1	M16 X 70	
11	H131485	EYEBOLT	1		
12	R50770	PLUG	1		
13	19M7791	SCREW	2	M12 X 40	

2D21

FC: 5833

SEPARATOR

SECONDARY COUNTERSHAFT DRIVE
HP3445 -UN-01JAN94



HP 3445

2D22

FC: 5833

SEPARATOR

SECONDARY COUNTERSHAFT DRIVE - CONTINUED

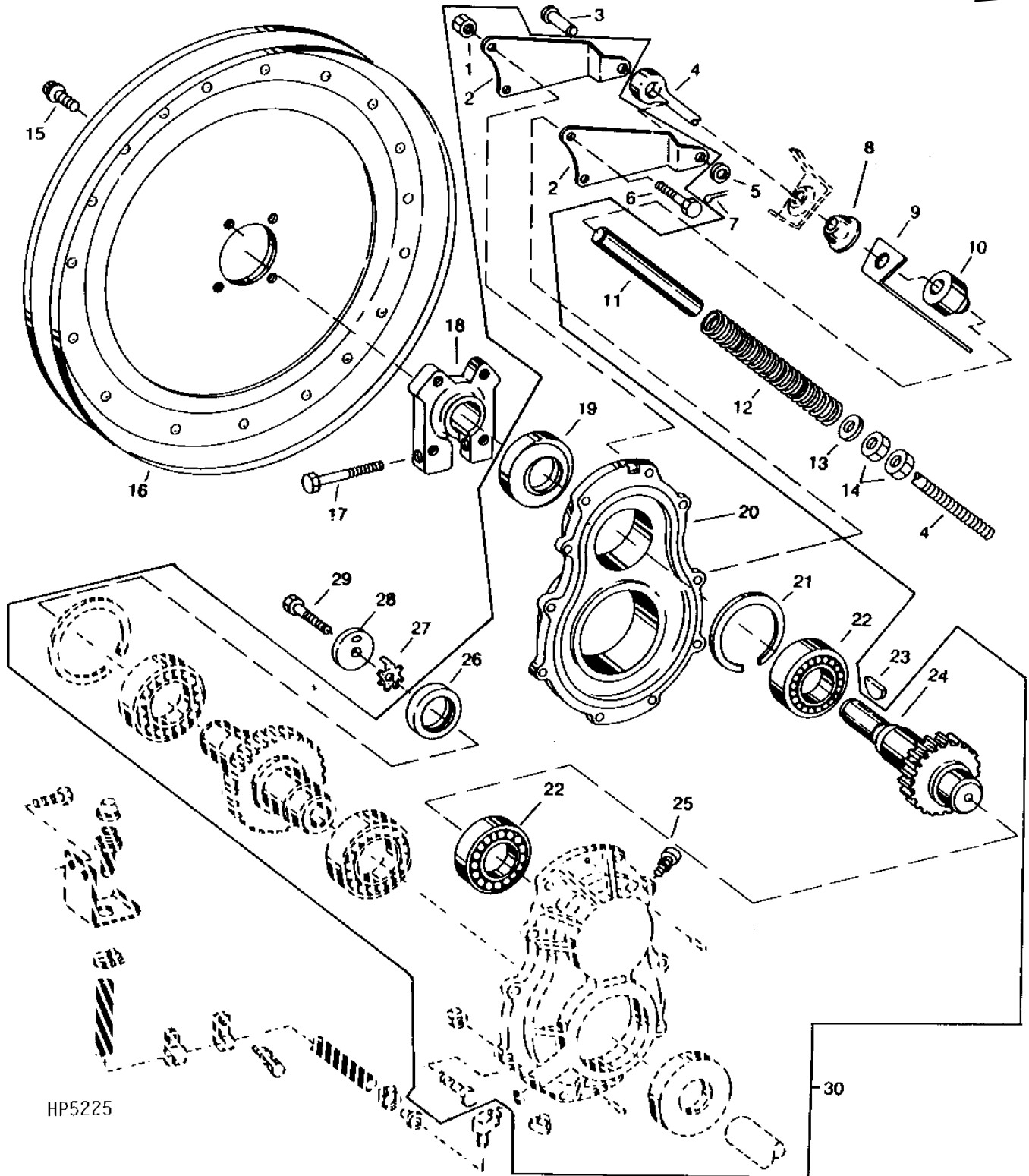
KEY	PART NO.	PART NAME	QTY	SERIAL NO.	REMARKS
1	H128010	BELT	1		
2	AH124826	STUD	1		
3	B10604	SPRING	1		
4	H97513	BUSHING	1		
5	24H1625	WASHER	1	17/32" X 1" X 0.120"	
6	11M7028	COTTER PIN	1	5 X 32 MM	
7	24M7047	WASHER	2	13 X 24 X 2.500 MM	
8	H133667	CLEVIS	1		
9	H748DA	PIN	1		
10	19M7824	SCREW	1	M16 X 60	
11	AH97031	SHEAVE	1		
12	14M7291	FLANGE NUT	1	M16	
13	P46402	SNAP RING	1		
14	24M7091	WASHER	1	26 X 44 X 4 MM	
15	AA5607R	SEAL	2		
16	H99147	BUSHING	2		
17	AH124828	ARM	1		
18	H129207	PIVOT	1		
19	14M7275	NUT	2	M12	
20	AH104783	PULLEY	1		
21	AH109197	PIN	1		
22	H129101	SHEAVE	1	-640400	
	H142143	SHEAVE	1	640401-	
23	19M7784	SCREW	3	M10 X 20	

2D23

FC: 5832

SEPARATOR

STRAW WALKER DRIVE GEARCASE
HP5225 -UN-01JAN94



HP5225

2D24

FC: 5832

SEPARATOR

STRAW WALKER DRIVE GEARCASE - CONTINUED

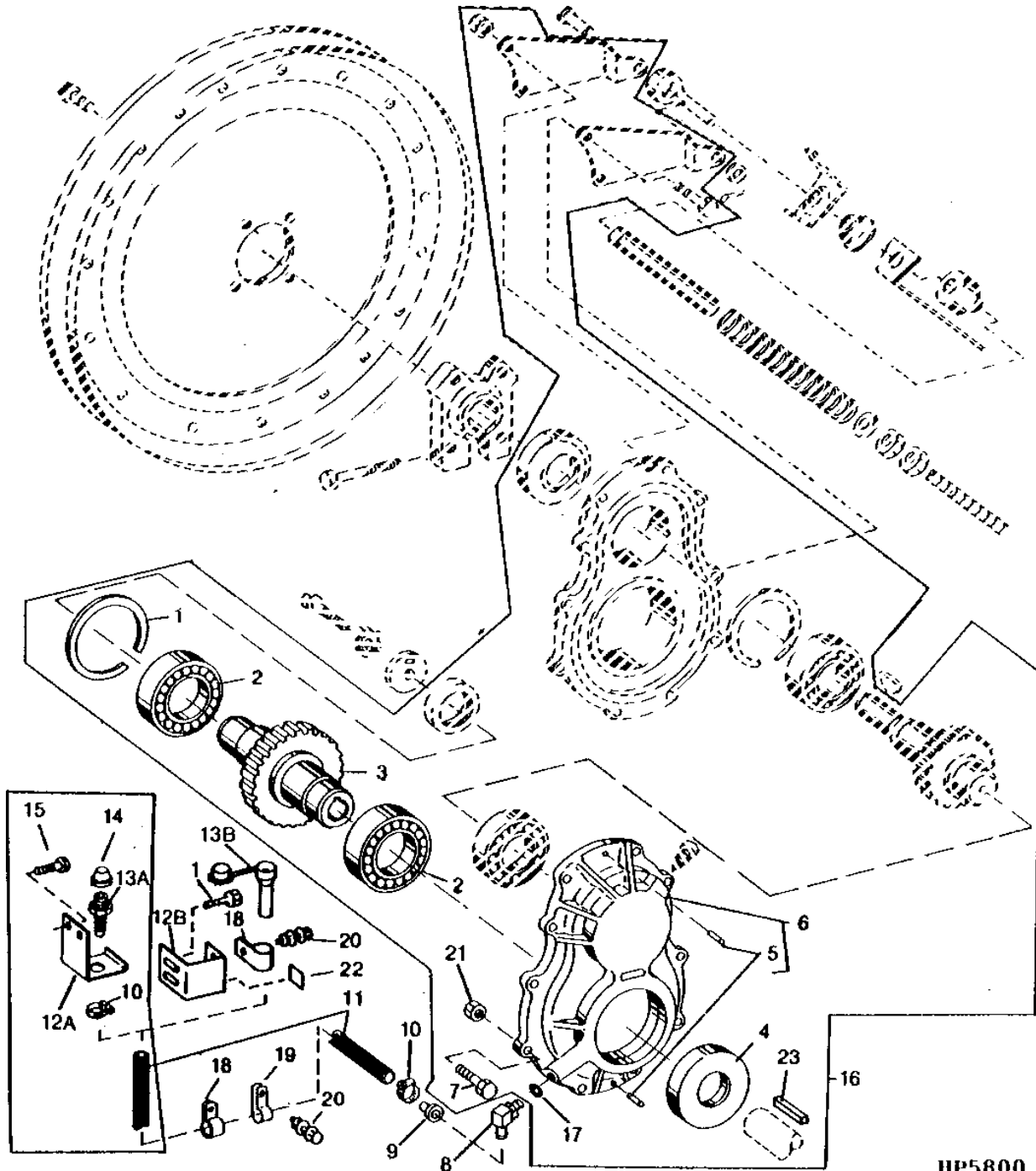
KEY	PART NO.	PART NAME	QTY	SERIAL NO.	REMARKS
1	14M7298	FLANGE NUT	10	M8	
2	H129312	ARM	2		
3	45M7084	PIN	1	12 X 35 MM	
4	H129311	EYEBOLT	1		
5	24M7047	WASHER	1	13 X 24 X 2.500 MM	
6	19M8317	SCREW	2	M8 X 40	
7	11M7015	COTTER PIN	1	3.200 X 25 MM	
8	H129207	PIVOT	1		
9	H135512	GAUGE	1		
10	H135395	SPACER	1		
11	H134359	HOSE	1	-645400	(SUB TY22329) (NO LONGER SERVICED)
	TY22329	BULK HOSE	1		
12	H86783	SPRING	1		
13	24M7180	WASHER	1	13 X 37 X 3 MM	
14	14M7275	NUT	2	M12	
15	19M7784	SCREW	4	M10 X 20	
16	AH122863	SHEAVE	1		
17	19M7663	CAP SCREW	1	M8 X 70	
18	H134760	HUB	1		
19	AR90861	SEAL	1	-APR94	(SUB RE20768)
	RE20768	SEAL	1		
20	AH135573	GEAR CASE	1		GEARCASE W/TWO MATCHED HALVES ONLY INCLUDES TWO 34M7038 ALSO REQS. AR90369 ELBOW AND R26375 O-RING
21	R62192	SNAP RING	1		
22	JD7686	BALL BEARING	2		
23	26M4228	SHAFT KEY	1	8 X 28 MM (0.315" X 1.102")	WOODRUFF
24	H114134	PINION	1		
25	U14273	BREATHER	1		
26	AH111970	SEAL	1		
27	H135622	WASHER	1		
28	H135623	WASHER	1		
29	H135511	SCREW	1		
30	AH135572	GEAR CASE	1		GEARCASE W/TWO MATCHED HALVES AND COMPLETE INTERNAL PARTS. REQS. AR90369 ELBOW AND R26375 O-RING

2E1

FC: 5832

SEPARATOR

STRAW WALKER DRIVE GEARCASE
HP5800 -UN-01JAN94



HP5800

2E2

FC: 5832

SEPARATOR

STRAW WALKER DRIVE GEARCASE - CONTINUED

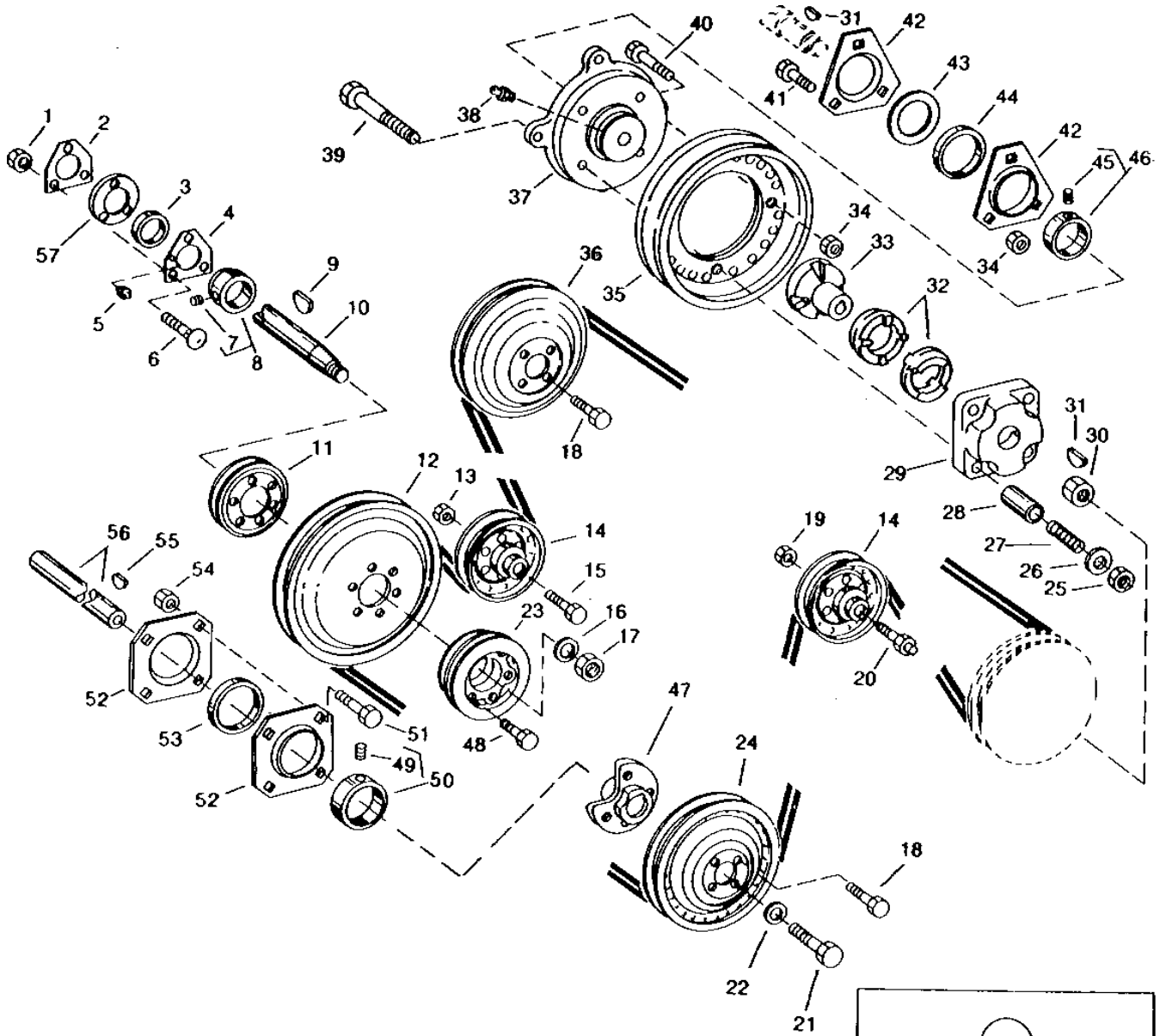
KEY	PART NO.	PART NAME	QTY	SERIAL NO.	REMARKS
1	BP13620	SNAP RING	1		
2	JD10011	BALL BEARING	2		
3	H114100	GEAR	1		
4	AH111971	SEAL	1		
5	34M7038	SPRING PIN	2		6 X 20 MM
6	AH135573	GEAR CASE	1		GEARCASE /TWO MATCHED HALVES ONLY INCLUDES TWO 34M7038, ALSO REQS. AR90369 ELBOW AND R26375 O-RING
7	19M7868	SCREW	8		M8 X 30
8	AR90369	ELBOW FITTING	1		
9	N195027	ADAPTER	1		
10	AR21837	CLAMP	2		FOR BLACK HOSE -ONE CLAMP W/ CLEAR HOSE
11	H133408	HYDRAULIC HOSE	1	-635451	
	H142055	LINE	1	635452-	
12	H133409	HOSE SUPPORT	1	-634451	
	H143420	STOP	1	634452-	
13A	N117501	HOSE FITTING	1	-634451	(SUB M86958)
13B	M73346	OIL TUBE	1	634452-	
14	15H582	FITTING	1		
15	37M7083	SCREW	2		M8 X 12, FOR H133409 HOSE SUPPORT
	37M7058	SCREW	2		M8 X 20 FOR H143420 STOP
16	AH134869	GEAR CASE	1	-635451	
	AH135572	GEAR CASE	1	635452-	GEARCASE W/TWO HALVES AND COMPLETE INTERNAL PARTS. REQS. AR90369 ELBOW AND R26375 O-RING
17	R26375	O-RING	1		
18	T38377	CLIP	1		FOR BLACK HOSE ON STRAW WALKER GEARBOX
19	T76719	CLAMP	2	-MAR91	FOR CLEAR HOSE ON STRAW WALKER GEARBOX
20	19M7867	SCREW	2		M8 X 25
	14M7298	FLANGE NUT	2		M8
21	14M7298	FLANGE NUT	10		M8
22	H143421	DECAL	1	-MAR91	ALIGN TO BOTTOM EDGE
	H145706	LABEL	1	MAR91-	
23	H138344	SHAFT KEY	1		

2E3

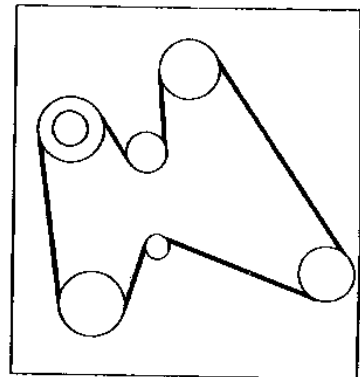
FC: 5832

SEPARATOR

STRAW WALKER, CONVEYOR AUGERS, SIEVE AND CHAFFER DRIVE
HP4046 -UN-01JAN94



HP4046



2E4

FC: 5832

SEPARATOR

STRAW WALKER, CONVEYOR AUGERS, SIEVE AND CHAFFER DRIVE - CONTINUED

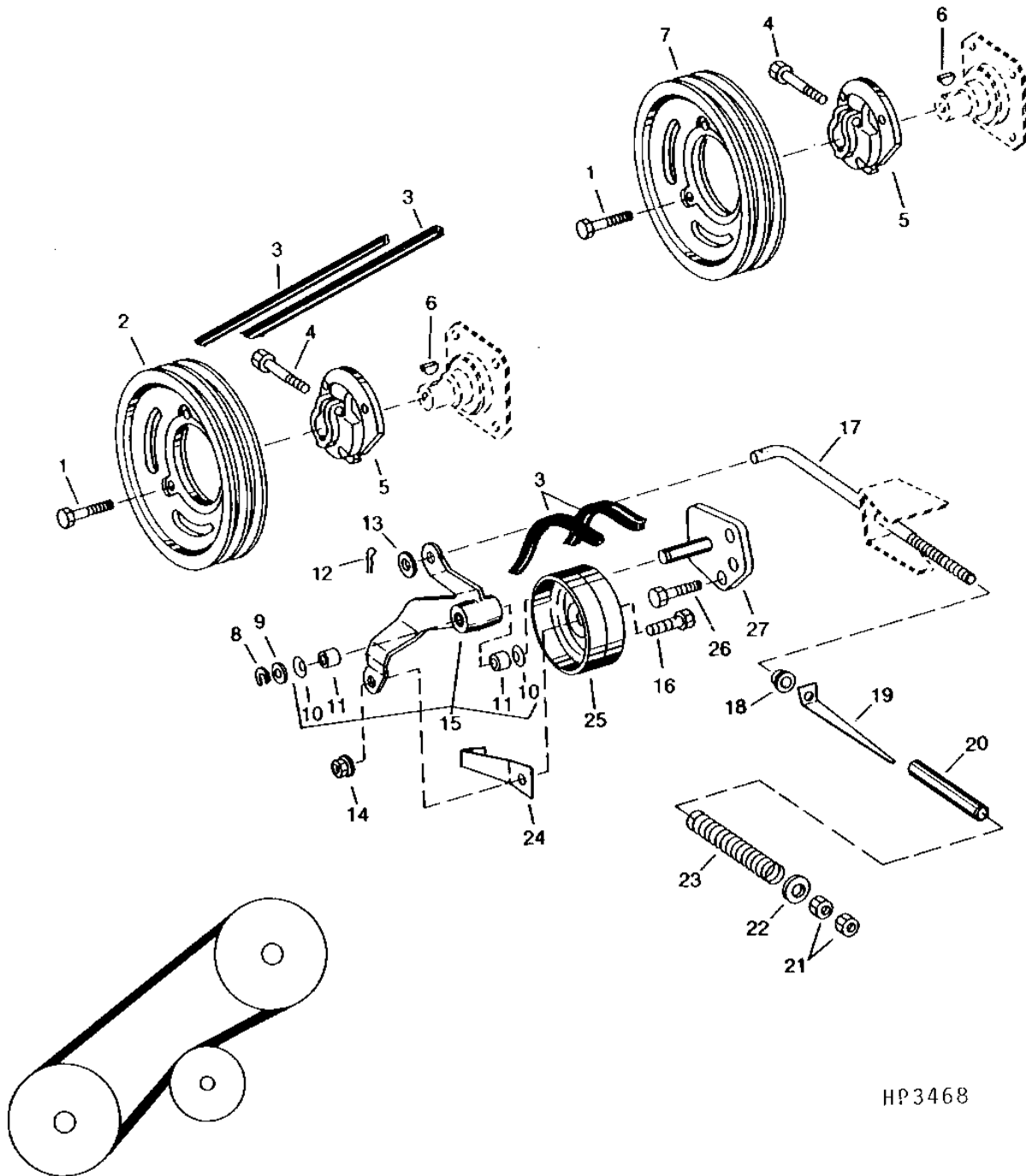
KEY	PART NO.	PART NAME	QTY	SERIAL NO.	REMARKS
1	14M7296	FLANGE NUT	3	M10	
2	H135410	PRESSED FLANGED HOUSING	1		
3	JD39104	BALL BEARING	1		
	AH139296	BALL BEARING	1		
4	AH129420	PRESSED FLANGED HOUSING	1		
5	JD7846	LUBRICATION FITTING	1		
6	03M7191	BOLT	3	M10 X 25	
7	22M7081	SET SCREW	1	M10 X 10	
8	AH133191	ECCENTRIC LOCKING COLLAR	1		
9	26M6787	SHAFT KEY	1	10 X 32 MM	
10	H132208	JACKSHAFT	1		
11	H131170	SHEAVE	1		
12	AH104783	PULLEY	1		
13	14M7291	FLANGE NUT	1	M16	
14	AH94450	IDLER	2		
15	19M7824	SCREW	1	M16 X 60	
16	24M7091	WASHER	1	26 X 44 X 4 MM	
17	14M7413	LOCK NUT	1	M24	
18	19M7784	SCREW	8	M10 X 20	
19	14M7291	FLANGE NUT	1	M16	
20	H134463	STUD	1		
21	19M7283	CAP SCREW	2		
22	E58144	WASHER	2		
23	H129101	SHEAVE	1		
24	AH126188	SHEAVE	1		
25	14M7400	LOCK NUT	4	M10	
26	24H1730	WASHER	4	13/32" X 1-1/2" X 0.120", (SUB 24M7101)	
27	R56722	SPRING	4		
28	H87206	SPACER	4		
29	H89525	RETAINER	1		
30	14M7300	FLANGE NUT	1	M20	
31	26M4226	SHAFT KEY	1	5 X 19 MM	
32	H128265	SLIP CLUTCH	2		
33	H131098	HUB	1		
34	14M7296	FLANGE NUT	4	M10	
35	AH126094	SHEAVE	1		
36	AH122863	SHEAVE	1		
37	H135423	HUB	1		
38	JD7797	LUBRICATION FITTING	1		
39	19M8166	CAP SCREW	4	M10 X 110	
40	19M7786	SCREW	4	M10 X 30	
41	03M7191	BOLT	3	M10 X 25	
42	E10018	PRESSED FLANGED HOUSING	2		
43	H102533	SHIM	2		
44	AH129451	BALL BEARING	1		
45	SET SCREW	1		
46	AH129452	ECCENTRIC LOCKING COLLAR	1		
47	H133603	HUB	1		
48	19M7810	SCREW	6	M10 X 80	
49	22M7081	SET SCREW	2		
50	AL14674	ECCENTRIC LOCKING COLLAR	2		
51	03M7197	BOLT	8	M12 X 25	
52	H133621	PRESSED FLANGED HOUSING	4		
53	JD39109	BALL BEARING	2		
54	14M7299	FLANGE NUT	16	M12	
55	SHAFT KEY	1	6 X 100 MM (IN AH141142 KEY STOCK KIT) (CUT FROM H150275)	
56	H133598	SHAFT	1		
57	H105578	SHIM	1		
..	H131169	BELT	1		

2E5

FC: 5734

SEPARATOR

BEATER DRIVE, SHEAVES AND TIGHTENER
HP3468 -UN-01JAN94



HP3468

2E6

FC: 5734

SEPARATOR

BEATER DRIVE, SHEAVES AND TIGHTENER - CONTINUED

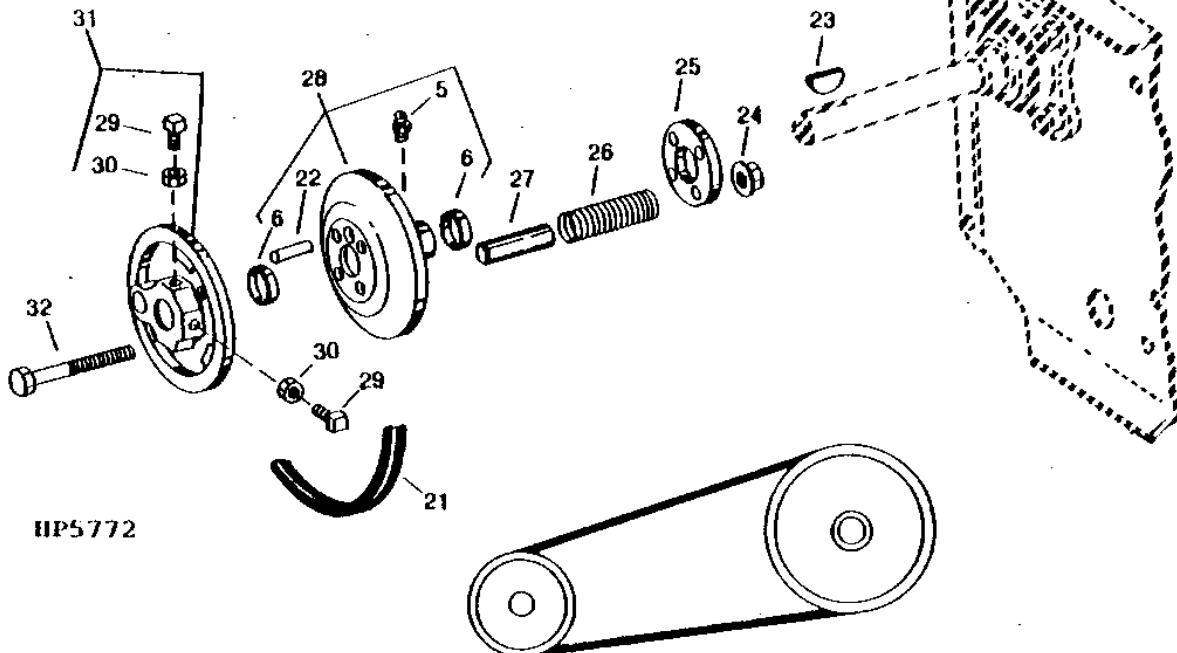
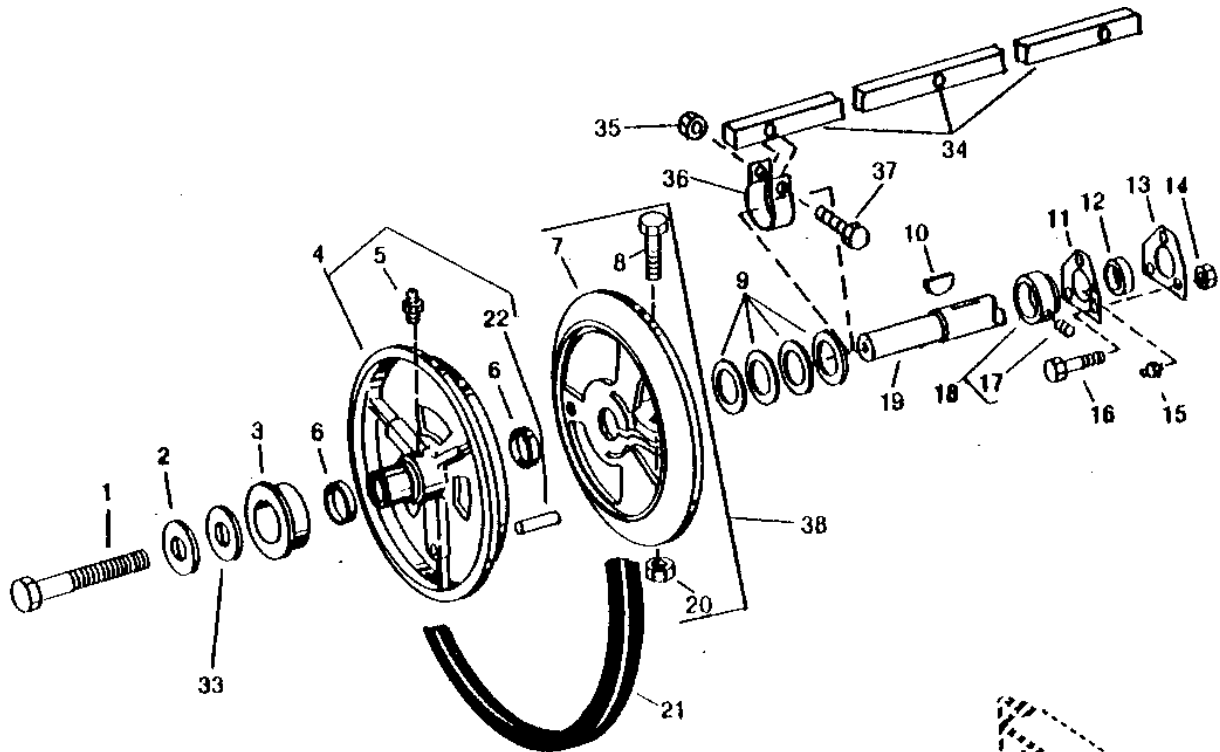
KEY	PART NO.	PART NAME	QTY	SERIAL NO.	REMARKS
1	19M7785	SCREW	6		M10 X 25
2	H125558	SHEAVE	2		FOR 100 PER CENT BEATER DRIVE
	H135849	SHEAVE	1		FOR 75 PER CENT BEATER DRIVE
3	AH131960	BELT	1		FOR 75 PER CENT BEATER SPEED
	AH120918	BELT	1	-640400	FOR 100 PER CENT BEATER SPEED, (SUB AH139436)
	AH139436	BELT SET	1		FOR 100 PER CENT BEATER SPEED
4	19M7808	SCREW	2		M10 X 65
5	H128327	HUB	2		
6	26M6787	SHAFT KEY	2		10 X 32 MM
7	H135850	SHEAVE	1		FOR 75 PER CENT BEATER DRIVE
8	P46402	SNAP RING	1		
9	24M7091	WASHER	1		26 X 44 X 4 MM
10	AA5607R	SEAL	2		
11	H99147	BUSHING	2		
12	11M7021	COTTER PIN	1		4 X 25 MM
13	24M7047	WASHER	1		13 X 24 X 2.500 MM
14	14M7299	FLANGE NUT	1		
15	AH131508	ARM	1		
16	19M7817	SCREW	1		M12 X 70
17	H125560	BOLT	1		
18	H129207	PIVOT	1		
19	H114379	GAUGE	1		
20	H116916	HOSE	1		NO LONGER AVAILABLE (MAKE FROM TY22326 BULK HOSE)
21	14M7275	NUT	2		M12
22	24M7180	WASHER	1		13 X 37 X 3 MM
23	H82418	SPRING	1		
24	H94386	BRACKET	2		
25	AH111447	IDLER	1		(SUB AH141762)
26	19M7784	SCREW	3		M10 X 20
27	AH109197	PIN	1		

2E7

FC: 5838

SEPARATOR

SEPARATOR FAN DRIVE
HP5772 -UN-01JAN94



HP5772

2E8

FC: 5838

SEPARATOR

SEPARATOR FAN DRIVE - CONTINUED

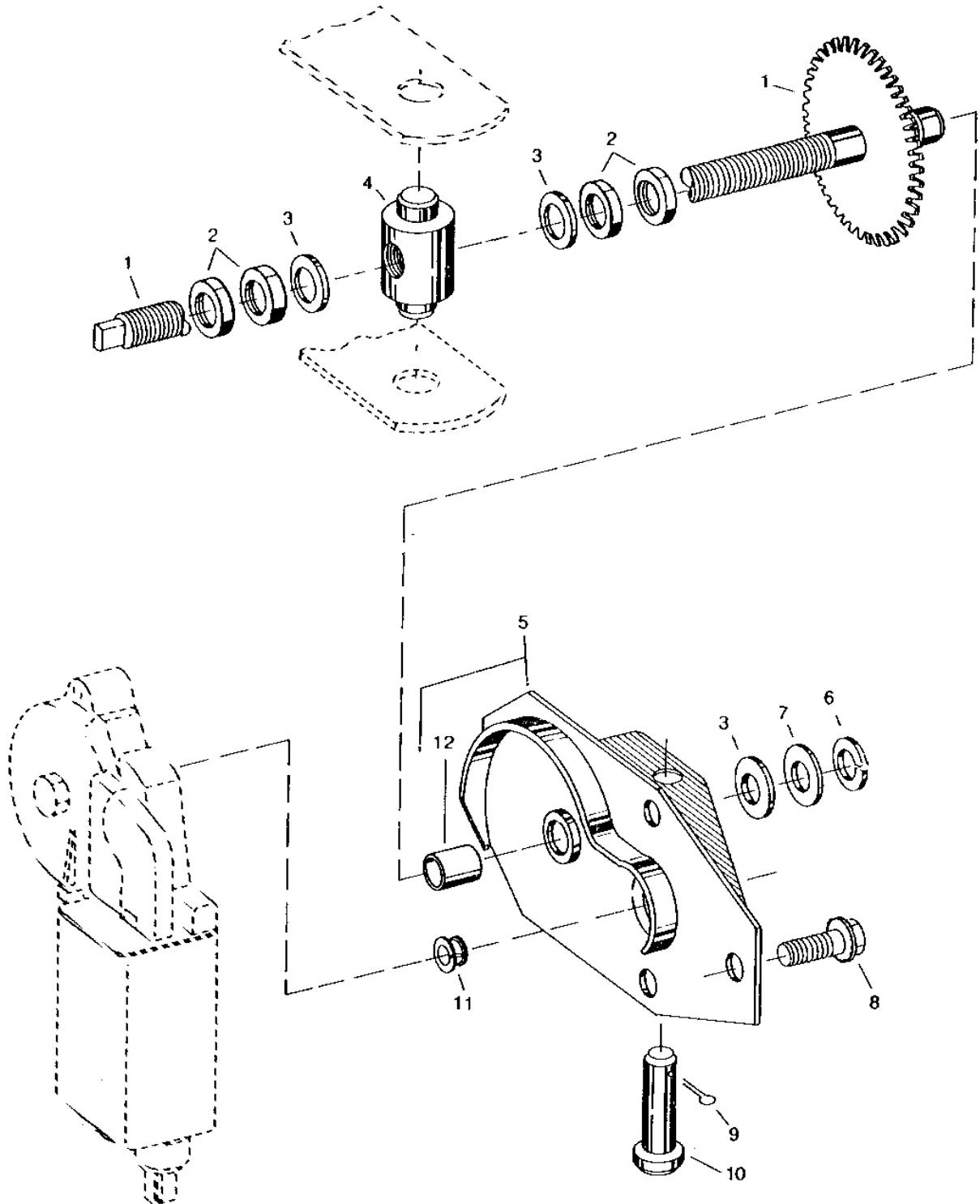
KEY	PART NO.	PART NAME	QTY	SERIAL NO.	REMARKS
1	19M7786	SCREW	1	M10 X 30	
2	24H1314	WASHER	1	13/32" X 1-3/4" X 7/64"	
3	AH124050	THROW-OUT BEARING	1		
4	AH127496	SHEAVE	1	401 MM O.D.(750-1350 RPM)	
	AH131979	SHEAVE	1	289 MM O.D. (490-980 RPM) OPT.	
5	JD7759	LUBRICATION FITTING	2		
6	AH14080	SEAL	4		
7	H132298	SHEAVE	1	401 MM O.D. (750-1350 RPM) (SUB AH134873)	
	H137266	SHEAVE	1	289 MM O.D. (490-980 RPM) OPT.	
8	19M8112	SCREW	1	M12 X 55	
9	24H1512	WASHER	8	1-13/32" X 2" X 0.032"	
10	26M6787	SHAFT KEY	1	10 X 32 MM	
11	AH129420	PRESSED FLANGED HOUSING	1		
12	JD39104	BALL BEARING	1		
	AH139296	BALL BEARING	1		
13	H135410	PRESSED FLANGED HOUSING	1		
14	14M7296	FLANGE NUT	3	M10	
15	JD7846	LUBRICATION FITTING	1		
16	03M7191	BOLT	3	M10 X 25	
17	22M7081	SET SCREW	1	M10 X 10	
18	AH133191	ECCENTRIC LOCKING COLLAR	1		
19	H132208	JACKSHAFT	1		
20	14M7299	FLANGE NUT	1	M12	
21	H140404	BELT	1	631211-	(750-1350 RPM) STD. SPEED
	H137264	BELT	1		(490-980 RPM) OPT. SPEED
22	H100796	SPRING PIN	2		
23	26M6731	SHAFT KEY	1	WOODRUFF	
24	14M7396	LOCK NUT	4	M8	
25	H135599	WASHER	1		
26	H93399	SPRING	4		
27	H133489	BUSHING	4		
28	AH131248	SHEAVE	1		
29	H138435	SET SCREW	2	M10 X 25	
30	14M7152	NUT	2	M10	
31	AH131249	SHEAVE	1		
32	19M7873	SCREW	4	M8 X 110	
33	24H1307	WASHER	AR	13/32" X 1" X 1/16"	
34	H137817	STRIPPER	1		
35	14M7397	LOCK NUT	6	M6	
36	H137815	CLAMP	6		
37	19M7862	SCREW	6	M6 X 20	
38	AH134873	SHEAVE	1	(INCLUDES KEYS 7, 8 AND 20)	
..	AH138893	KIT	1	-640400	(SUB (2) H137817)
..	AH138895	KIT	1	-640400	(SUB (2) H137817)
..	H137817	STRIPPER	2		

2E9

FC: 5245

SEPARATOR

FAN DRIVE SPEED CONTROL LINKAGE
(...-640400)
HP3783 -UN-01JAN94



HP3783

2E10

FC: 5245

SEPARATOR

FAN DRIVE SPEED CONTROL LINKAGE - CONTINUED
(-640400)

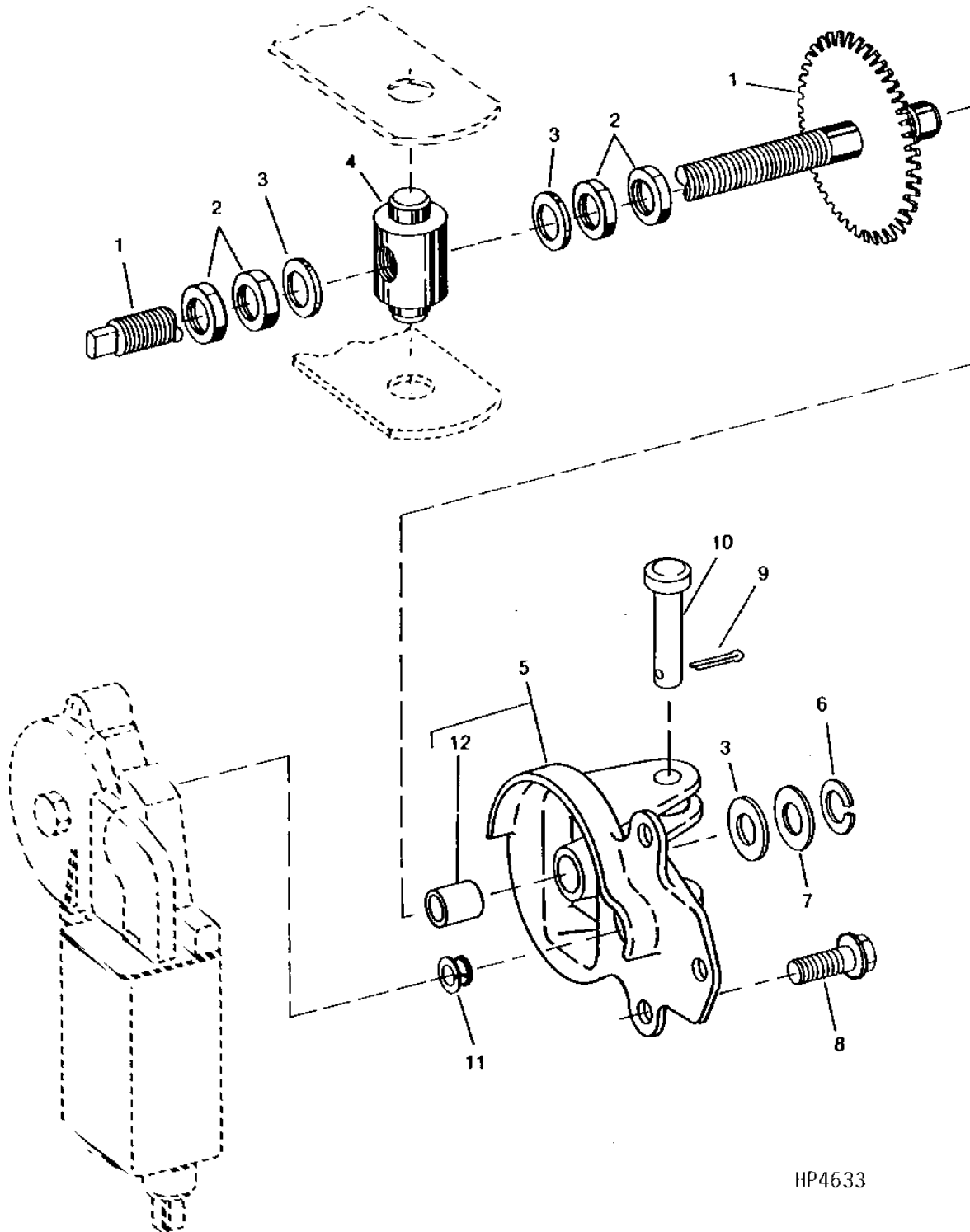
KEY	PART NO.	PART NAME	QTY	SERIAL NO.	REMARKS
1	AH128384	SHAFT	1		
2	14M7382	NUT	4	M16	
3	H140397	THRUST WASHER	3		
4	H133199	TRUNNION	1		
5	AH128383	SUPPORT	1	(SUB AH128385)	
6	H25099	SNAP RING	1		
7	H139132	WASHER	3		
8	N14820	SELF-LOCKING SCREW	1		
9	11M7059	COTTER PIN	1	3.200 X 20 MM	
10	45M7043	PIN	1	12 X 60 MM	
11	H89515	WASHER	1		
12	H91788	BUSHING	1		

2E11

FC: 5245

SEPARATOR

FAN DRIVE SPEED CONTROL LINKAGE
(640401-)
HP4633 -UN-01JAN94



HP4633

2E12

FC: 5245

SEPARATOR

FAN DRIVE SPEED CONTROL LINKAGE - CONTINUED
(640401-)

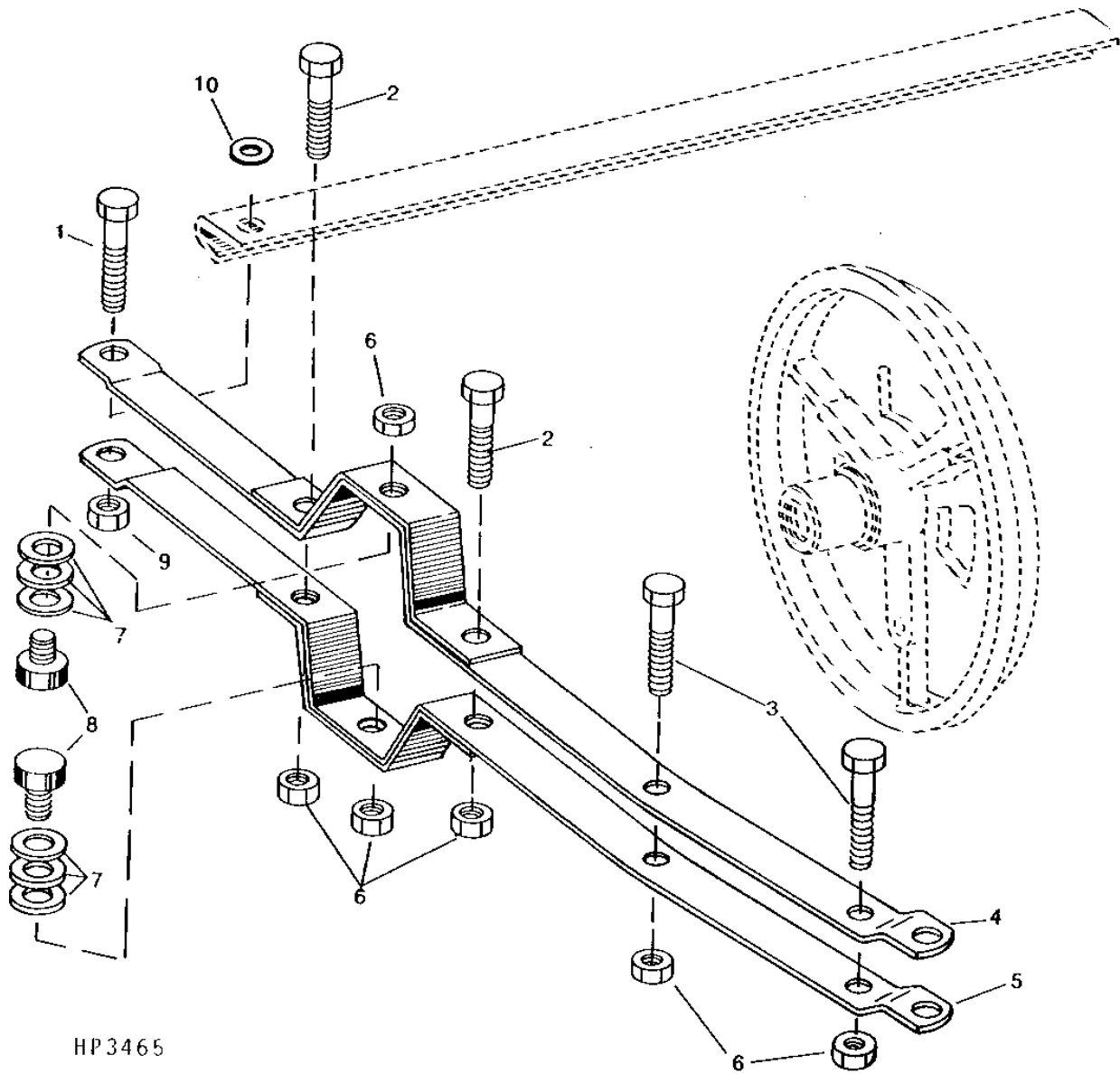
KEY	PART NO.	PART NAME	QTY	SERIAL NO.	REMARKS
1	AH128384	SHAFT	1		
2	14M7382	NUT	4	M16	
3	H140397	THRUST WASHER	3		
4	H133199	TRUNNION	1		
5	AH128385	SUPPORT	1	(SUB AH143904)	
6	H25099	SNAP RING	1		
7	H139132	WASHER	3		
8	N14820	SELF-LOCKING SCREW	2	6.350 X 12.700 MM (1/4" X 1/2")	
9	11M7059	COTTER PIN	1		
10	45M7049	PIN	1	12 X 65 MM, (SUB 45M7045)	
	45M7045	PIN	1	12 X 90 MM	
11	H89515	WASHER	1		
12	H91788	BUSHING	1		

2E13

FC: 5838

SEPARATOR

FAN DRIVE SPEED CONTROL SHEAVE LINKAGE
HP3465 -UN-01JAN94



HP3465

2E14

FC: 5838

SEPARATOR

FAN DRIVE SPEED CONTROL SHEAVE LINKAGE - CONTINUED

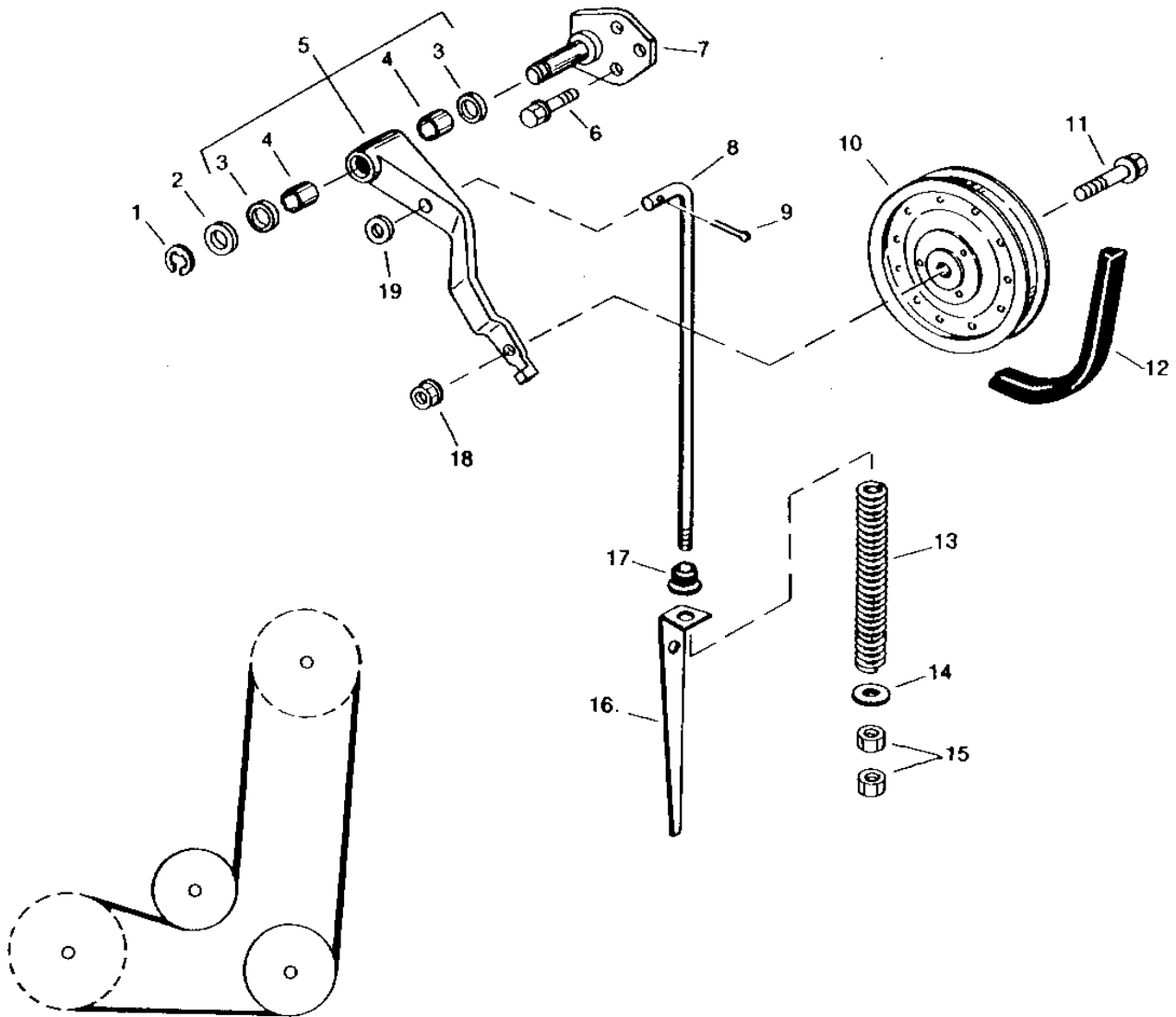
KEY	PART NO.	PART NAME	QTY	SERIAL NO.	REMARKS
1	19M7868	SCREW	1	M8 X 30	
2	19M7790	SCREW	2	M12 X 35	
3	19M7788	SCREW	2	M12 X 25	
4	AH134729	ARM	1		
5	AH134730	ARM	1		
6	14M7299	FLANGE NUT	6	M12	
7	24H1882	WASHER	6	17/32" X 3/4" X 0.060"	
8	19M8127	SCREW	2	M12 X 30, (SUB 19M8169)	
9	14M7298	FLANGE NUT	1	M8	
10	28H1511	WASHER	1	0.364" X 0.540" X 1/4"	

2E15

FC: 5181

SEPARATOR

FEEDER HOUSE DRIVE TIGHTENER
HP3469 -UN-01JAN94



HP3469

2E16

FC: 5181

SEPARATOR

FEEDER HOUSE DRIVE TIGHTENER - CONTINUED

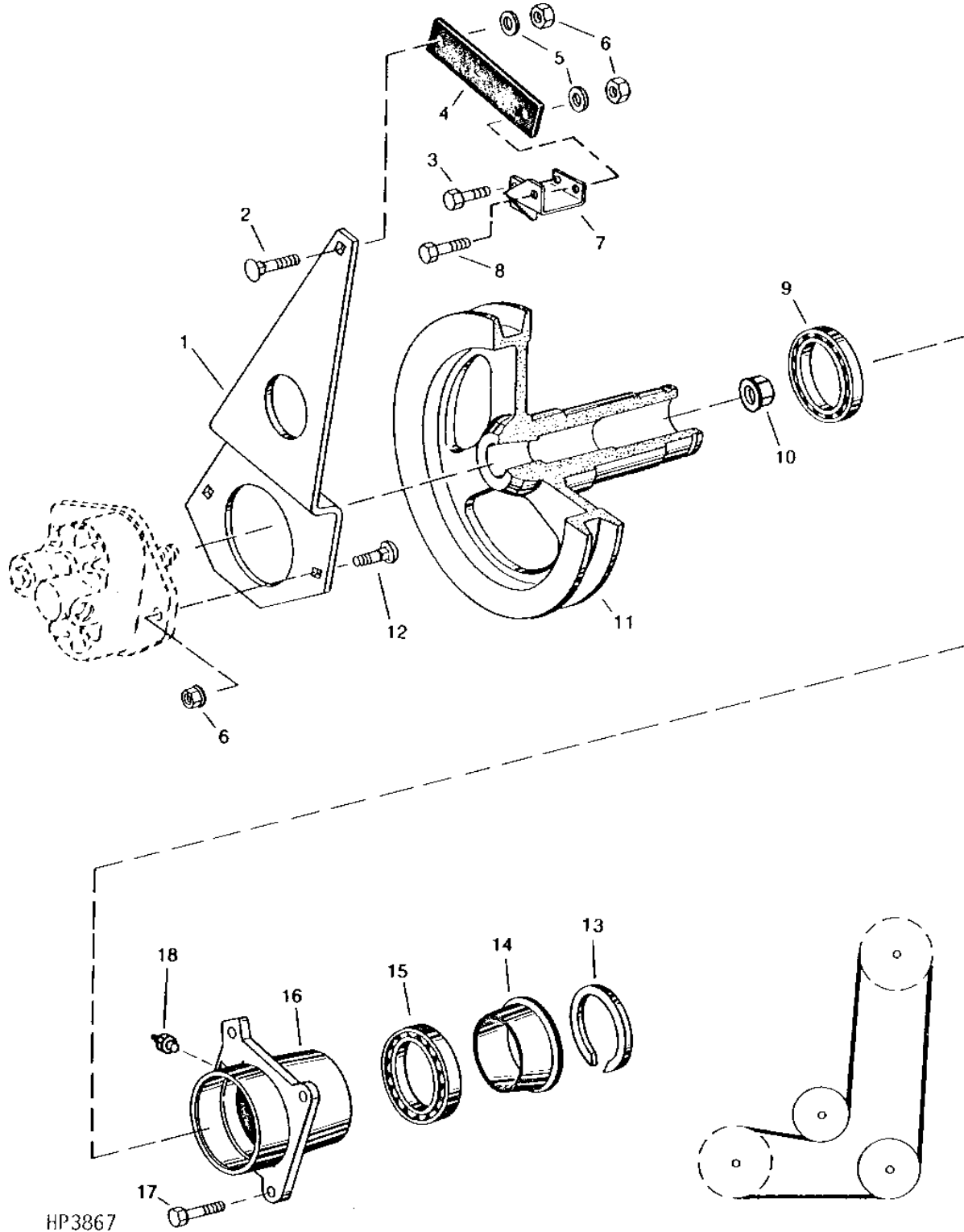
KEY	PART NO.	PART NAME	QTY	SERIAL NO.	REMARKS
1	P46402	SNAP RING	1		
2	24M7091	WASHER	1		26 X 44 X 4 MM
3	AA5607R	SEAL	2		
4	H99147	BUSHING	2		
5	AH128903	ARM	1		
6	19M7784	SCREW	3		M10 X 20
7	AH109197	PIN	1		
8	H126169	BOLT	1		
9	11M7028	COTTER PIN	1		5 X 32 MM
10	AH94450	IDLER	1		
11	19M8046	CAP SCREW	1		M16 X 70
12	H140160	BELT	1		
13	N61654	SPRING	1		
14	24H1373	WASHER	1		21/32" X 1-9/16" X 0.180"
15	14M7276	NUT	2		M16
16	H116862	GAUGE	1		
17	H129208	PIVOT	1		
18	14M7291	FLANGE NUT	1		M16
19	24M7053	WASHER	1		17 X 30 X 3 MM

2E17

FC: 5181

SEPARATOR

REEL / BELT PICKUP CHARGE PUMP MOUNTING AND SHEAVE
HP3867 -UN-01JAN94



HP3867

2E18

FC: 5181

SEPARATOR

REEL / BELT PICKUP CHARGE PUMP MOUNTING AND SHEAVE - CONTINUED

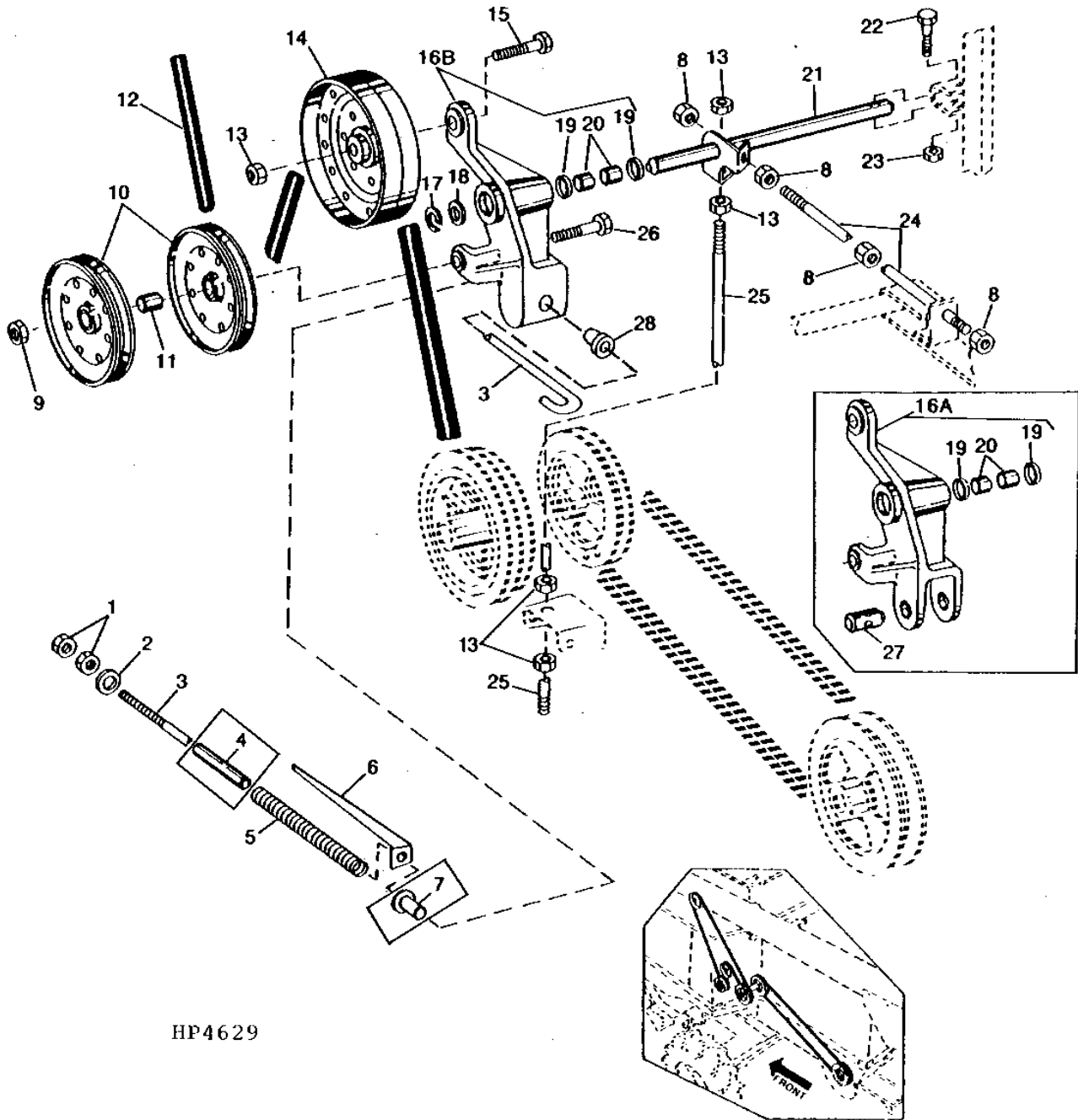
KEY	PART NO.	PART NAME	QTY	SERIAL NO.	REMARKS
1	H128098	ARM	1		
2	03M7185	BOLT	1		M8 X 25
3	19M7865	SCREW	4		M8 X 16 (NOT FOR USE WITH MUDSHIELD)
4	H78340	STRAP	1		
5	24M7207	WASHER	2		8.400 X 24 X 2 MM
6	14M7298	FLANGE NUT	4	-FEB94	M8
	14M7396	LOCK NUT	2	FEB94-	M8
7	H128111	BRACKET	1		NOT FOR USE WITH MUDSHIELD
8	19M7867	SCREW	1		M8 X 25
9	JD10312	BALL BEARING	1		
10	E59406	FLANGE NUT	1		3/8"
11	H132937	SHEAVE	1		
12	03M7186	BOLT	2		M8 X 30
13	BP13616	SNAP RING	1		
14	B2984R	PLUG	1		
15	AZ20216	BALL BEARING	1		(SUB JD10035)
16	H132938	HUB	1		
17	19M7785	SCREW	4		M10 X 25
18	JD7788	LUBRICATION FITTING	1		

2E19

FC: 5835

SEPARATOR

STRAW CHOPPER DRIVES (FRONT)
HP4629 -UN-01JAN94



HP4629

2E20

FC: 5835

SEPARATOR

STRAW CHOPPER DRIVES (FRONT) - CONTINUED

KEY	PART NO.	PART NAME	QTY	SERIAL NO.	REMARKS
1	14M7275	NUT	2	M12	
	14M7276	NUT	2	M16	
2	24M7180	WASHER	1	13 X 37 X 3 MM	
	24H1106	WASHER	1	11/16" X 1-3/4" X 0.134"	
3	H141565	HOOK BOLT	1	-640400	(SUB H141673) M12
	H141673	BOLT	1		M16
4	H116161	HOSE	1	-645400	(SUB TY22326) CUT TO LENGTH - NO LONGER AVAILABLE
5	H82418	SPRING	1		
6	H127923	GAUGE	1	-640400	
	H140944	GAUGE	1	640401-	
7	H141564	SPACER	1	-640400	
8	14M7276	NUT	4	M16	
9	14M7291	FLANGE NUT	1	M16	
10	AN15237	IDLER	2		
11	P50273	BUSHING	1		
12	H125380	BELT	1		
13	14M7299	FLANGE NUT	5	M12	
14	AH93318	IDLER	1		
15	19M7817	SCREW	1	-640400	M12 X 70
	19M7818	SCREW	1	640401-	M12 X 80
16A	AH128675	ARM	1	-640400	
16B	AH135342	ARM	1	640401-	REQUIRES H141673, H129208, H140944 14M7276 AND 24H1106
17	P46402	SNAP RING	1		
18	24M7091	WASHER	1	26 X 44 X 4 MM	
19	AA5607R	SEAL	2		
20	H99147	BUSHING	2		
21	AH134319	PIN	1		
22	19M8292	SCREW	1	M10 X 50	
23	14M7296	FLANGE NUT	1	M10	
24	H139545	STUD	1	M16	
25	H120198	STUD	1	M12	
26	19M7845	SCREW	1	-640400	M16 X 90
	19M7828	SCREW	1	640401-	M16 X 100
27	H141563	PIVOT	1	-640400	
28	H129208	PIVOT	1	640401-	

BH80154 (COMPLETE GOODS) CORN CHOPPER WITH DRIVES

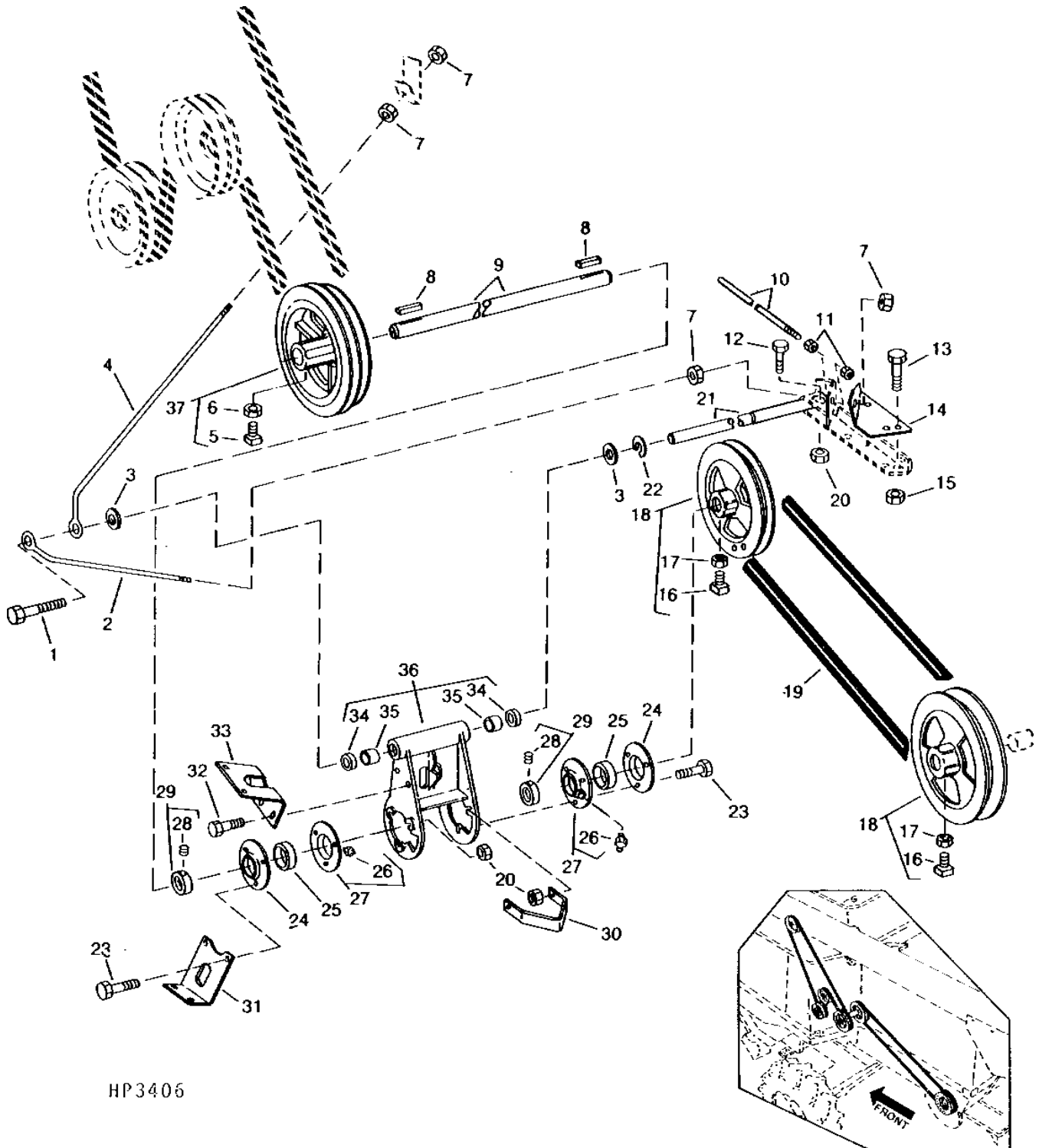
BH80127 (COMPLETE GOODS) STRAW CHOPPER WITH DRIVES

2E21

FC: 5835

SEPARATOR

STRAW CHOPPER DRIVES (REAR)
HP3406 -UN-01JAN94



HP3406

2E22

FC: 5835

SEPARATOR

STRAW CHOPPER DRIVES (REAR) - CONTINUED

KEY	PART NO.	PART NAME	QTY	SERIAL NO.	REMARKS
1	19M7815	SCREW	1	M12 X 60	
2	H127907	EYEBOLT	1		
3	24M7091	WASHER	2	26 X 44 X 4 MM	
4	H127906	EYEBOLT	1		
5	H138435	SET SCREW	2		
6	14M7152	NUT	2	M10	
7	14M7291	FLANGE NUT	4	M16	
8	H2383H	KEY	2		
9	H137570	JACKSHAFT	1		(FOR STRAW CHOPPER AND OR CHAFF SPREADER WITH TAPPED END)
10	H139545	STUD	1		
11	14M7276	NUT	2	M16	
12	19M8292	SCREW	1	M10 X 50	
13	19M7867	SCREW	2	M8 X 25	
14	H133812	SUPPORT	1		
15	14M7298	FLANGE NUT	2	M8	
16	H138435	SET SCREW	4		
17	14M7152	NUT	4	M10	
18	AH119770	SHEAVE	2		
19	H125381	BELT	1		CHOPPER IN REAR OPERATING POSITION
	P47885	BELT	1	-640400	CHOPPER IN WINDROW OR FORWARD POSITION
	H23950	BELT	1	640401-	123"
20	14M7296	FLANGE NUT	7		M10
21	H120194	PIN	1	-640400	
22	P43363	SNAP RING	1		
23	19M8162	CAP SCREW	6		M10 X 40
24	H135410	PRESSED FLANGED HOUSING	2		
25	JD39104	BALL BEARING	2		
	AH139296	BALL BEARING	2		
26	JD7797	LUBRICATION FITTING	2		
27	AE30624	PRESSED FLANGED HOUSING	2		
28	22M7081	SET SCREW	2		M10 X 10
29	AH133191	ECCENTRIC LOCKING COLLAR	2		
30	H129125	STRAP	1		
31	H132976	BRACKET	1		
32	19M7865	SCREW	2		M8 X 16
33	H132901	BRACKET	1		
34	AA5607R	SEAL	2		
35	H99147	BUSHING	2		
36	AH128674	ARM	1		(SUB AH136126)
37	AH127602	SHEAVE	1		

BH79486 (COMPLETE GOODS) STRAW CHOPPER PARTS

BH80127 (COMPLETE GOODS) STRAW CHOPPER WITH DRIVES

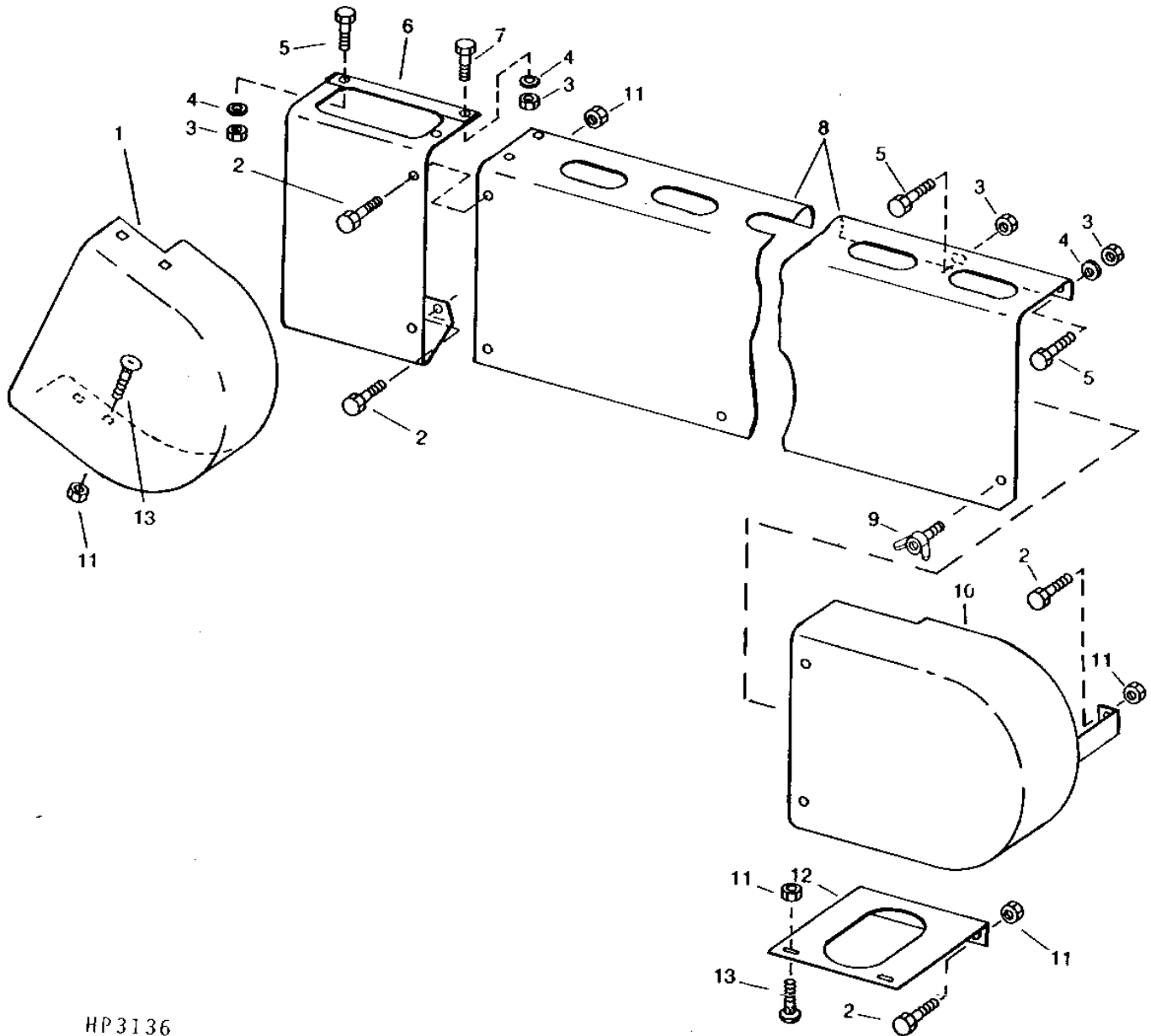
BH80154 (COMPLETE GOODS) CORN CHOPPER WITH DRIVES

2E23

FC: 5841

SEPARATOR

STRAW CHOPPER DRIVE SHIELDS
(-640400)
HP3136 -UN-01JAN94



HP3136

2E24

FC: 5841

SEPARATOR

STRAW CHOPPER DRIVE SHIELDS - CONTINUED
(-640400)

KEY	PART NO.	PART NAME	QTY	SERIAL NO.	REMARKS
1	H132902	CAP	1		
2	19M7865	SCREW	AR		M8 X 16
3	14M7273	NUT	AR		M8
4	24M7238	WASHER	AR		8.700 X 17 X 2 MM
5	19M7866	SCREW	AR		M8 X 20
6	H134678	SUPPORT	1	-640400	
	H141059	SUPPORT	1		
	H141060	BRACKET	1		
7	19M7867	SCREW	AR		M8 X 25
8	H134647	SHIELD	1	-640400	
	H141055	SHIELD	1		
9	21M7236	WING SCREW	1		M10 X 16
10	AH130592	CAP	1		
11	14M7298	FLANGE NUT	AR		M8
12	H134652	BRACKET	1		
13	03M7183	BOLT	4		M8 X 16

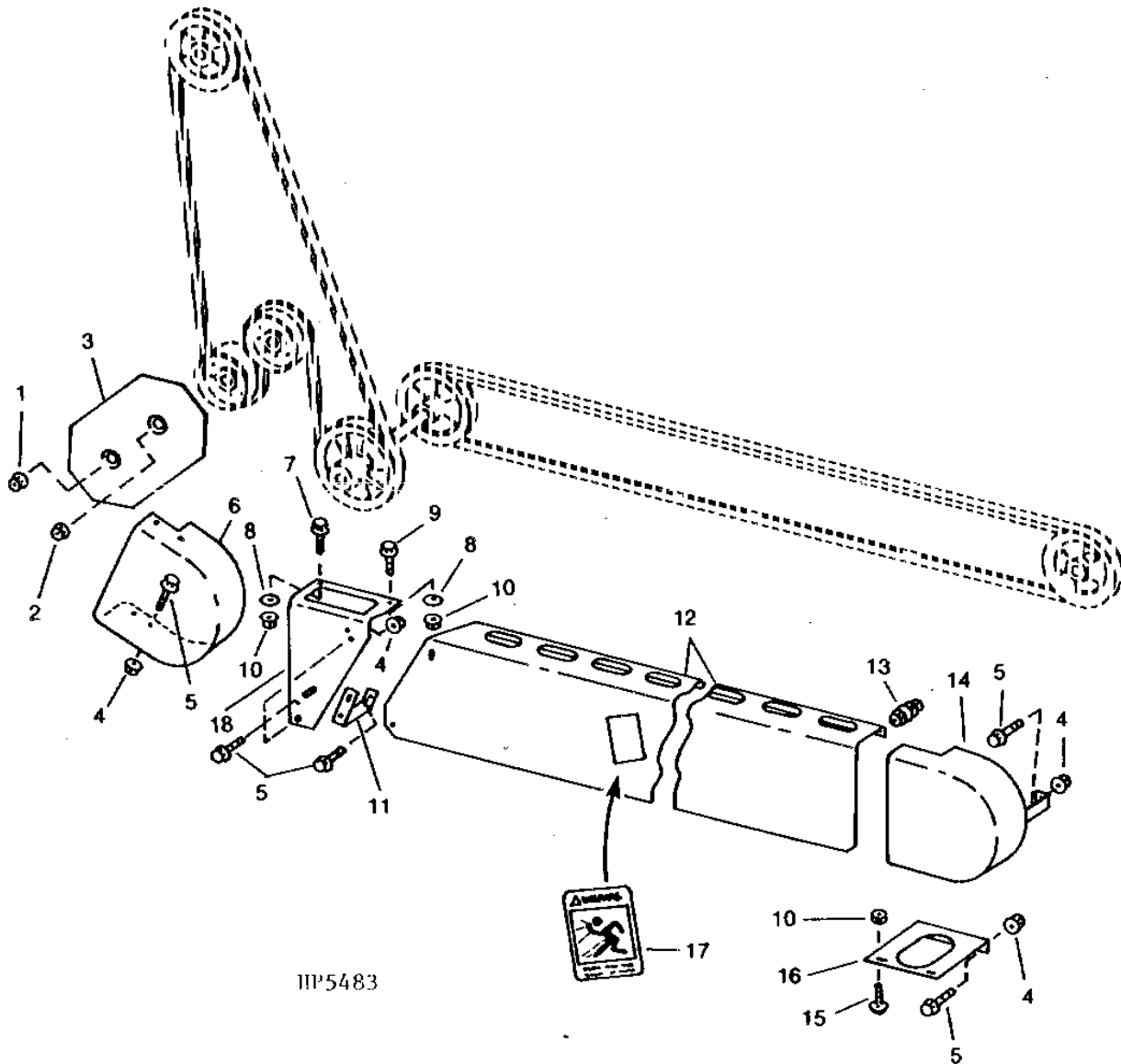
BH80154 CORN CHOPPER WITH DRIVES

2F1

FC: 5841

SEPARATOR

STRAW CHOPPER DRIVE SHIELDS (640401-)
HP5483 -UN-01JAN94



2F2

FC: 5841

SEPARATOR

STRAW CHOPPER DRIVE SHIELDS (640401-) - CONTINUED

KEY	PART NO.	PART NAME	QTY	SERIAL NO.	REMARKS
1	14M7291	FLANGE NUT	1	M16	
2	14M7299	FLANGE NUT	1	M12	
3	AH135996	SHIELD	1		
4	14M7298	FLANGE NUT	10	M8	
5	19M7865	SCREW	11	M8 X 16	
6	H132902	CAP	1		
7	19M7866	SCREW	1	M8 X 20	
8	24M7238	WASHER	2	8.700 X 17 X 2 MM	
9	19M7867	SCREW	1	M8 X 25	
10	14M7273	NUT	2	M8	
11	H141060	BRACKET	1		
12	H141055	SHIELD	1		
13	19M7865	SCREW	5	M8 X 16	
	24M7207	WASHER	5	8.400 X 24 X 2 MM	
	14M7273	NUT	5	M8	
14	AH130592	CAP	1		
15	03M7183	BOLT	2	M8 X 16	
16	H134652	BRACKET	1		
17	H138989	LABEL	1	-SEPT94	(SUB H149096) "PROJECTILE WARNING"
	H149096	LABEL	1		"PROJECTILE WARNING"
18	H141059	SUPPORT	1		
..	R57003	TAPE	1		

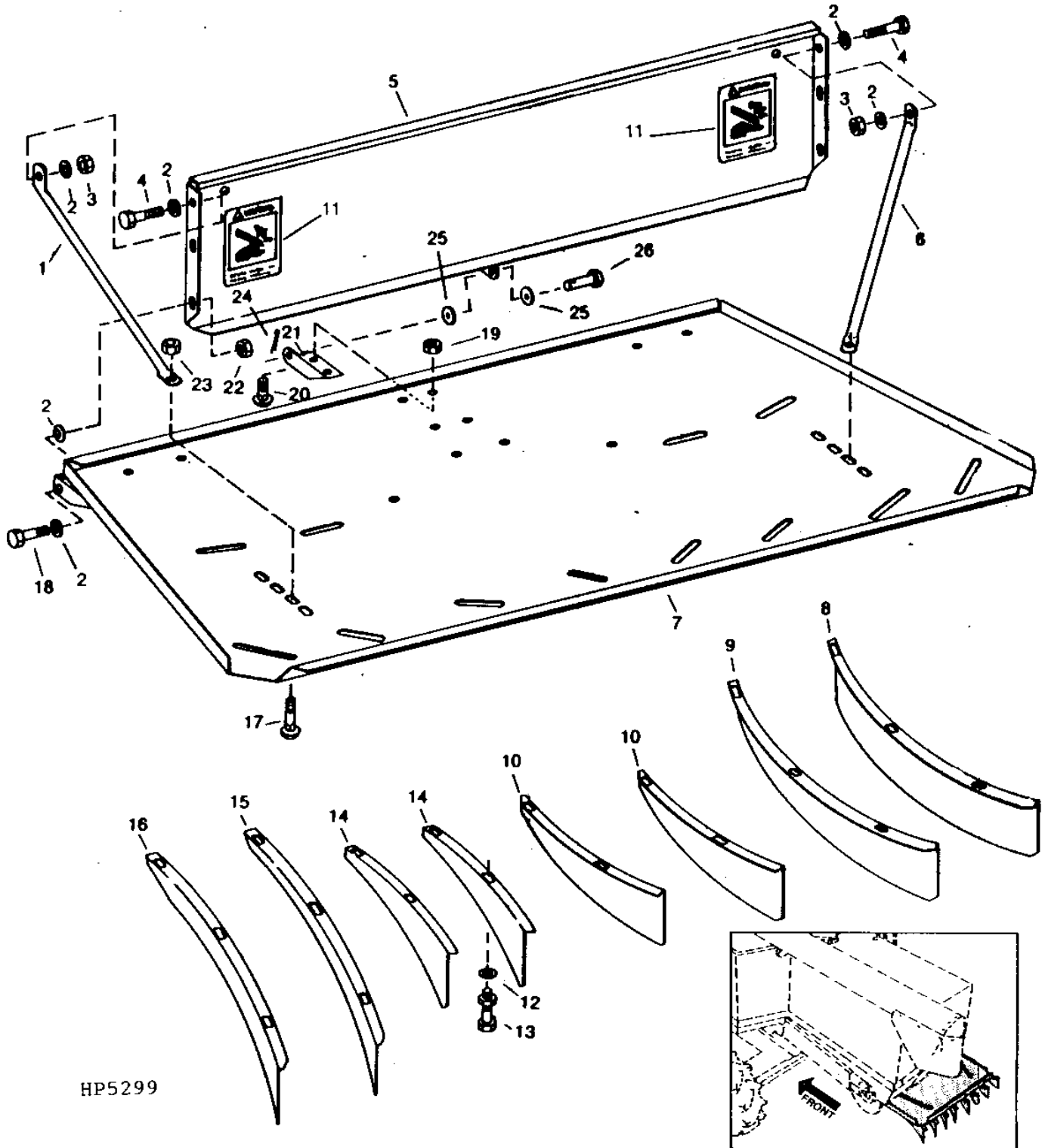
BH80127 (COMPLETE GOODS) STRAW CHOPPER WITH DRIVES

2F3

FC: 5841

SEPARATOR

STRAW CHOPPER DECK, SUPPORTS AND FINS
HP5299 -UN-01JAN94



2F4

FC: 5841

SEPARATOR

STRAW CHOPPER DECK, SUPPORTS AND FINS - CONTINUED

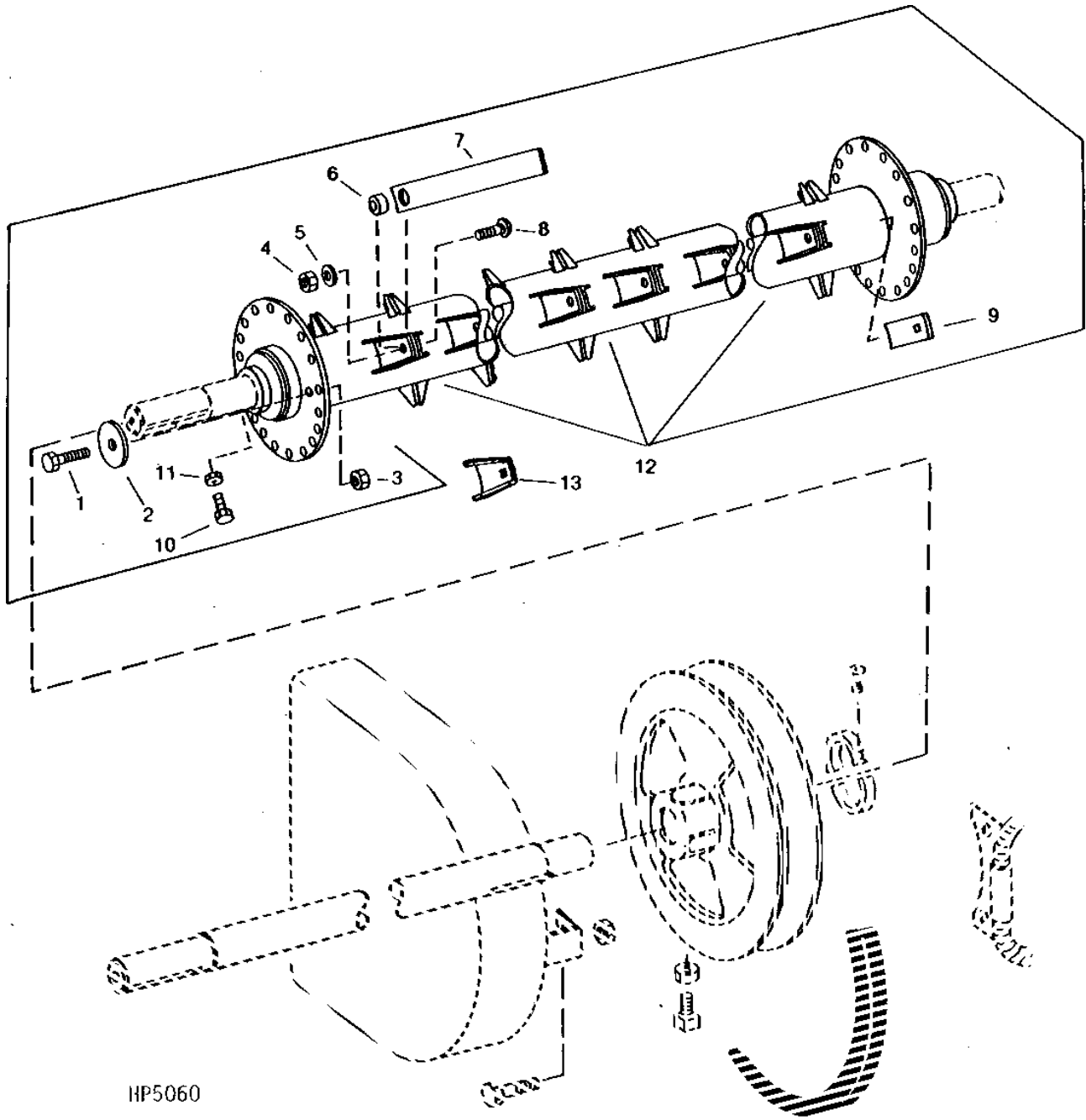
KEY	PART NO.	PART NAME	QTY	SERIAL NO.	REMARKS
1	H126335	PIPE	1		
2	H126334	LOCK WASHER	2		
3	14M7400	LOCK NUT	2		
4	19M7835	SCREW	2		M10
5	AH135721	SHEET	1	-640400	M10 X 35 (SUB AH138891)
	AH138891	SHEET	1		
6	H126336	PIPE	1		
7	AH125999	SUPPORT	1	-640400	(SUB AH137792)
	AH137792	SUPPORT	1		
8	H130949	VANE	1		
9	H114535	VANE	1		
10	H114537	VANE	2		
11	H144288	DECAL	2	-SEPT94	(SUB H149102) "WARNING" CHOPPER POSITION
	H149102	DECAL	2		"WARNING" CHOPPER POSITION
12	24M7207	WASHER	1		8.400 X 24 X 2 MM
13	03M7183	BOLT	2		M8 X 16
	E64256	LOCK NUT	2		M8
14	H114538	VANE	2		
15	H114536	VANE	1		
16	H130948	VANE	1		
17	03M7191	BOLT	2		M10 X 25
18	19M7167	CAP SCREW	2		M10 X 25
19	14M7298	FLANGE NUT	2		M8
20	03M7184	BOLT	2		M8 X 20
21	H128124	BRACKET	1		
22	14M7400	LOCK NUT	1		M10
23	14M7296	FLANGE NUT	1		M10
24	11M7009	COTTER PIN	1		2 X 16 MM (0.079" X 0.630")
25	24M7238	WASHER	1		8.700 X 17 X 2 MM (0.343" X 0.669" X 0.079")
26	45M7044	PIN	1		8 X 16 MM (0.315" X 0.630")

2F5

FC: 5841

SEPARATOR

STRAW CHOPPER ROTOR AND SHEAVE
HP5060 -UN-01JAN94



HP5060

2F6

FC: 5841

SEPARATOR

STRAW CHOPPER ROTOR AND SHEAVE - CONTINUED

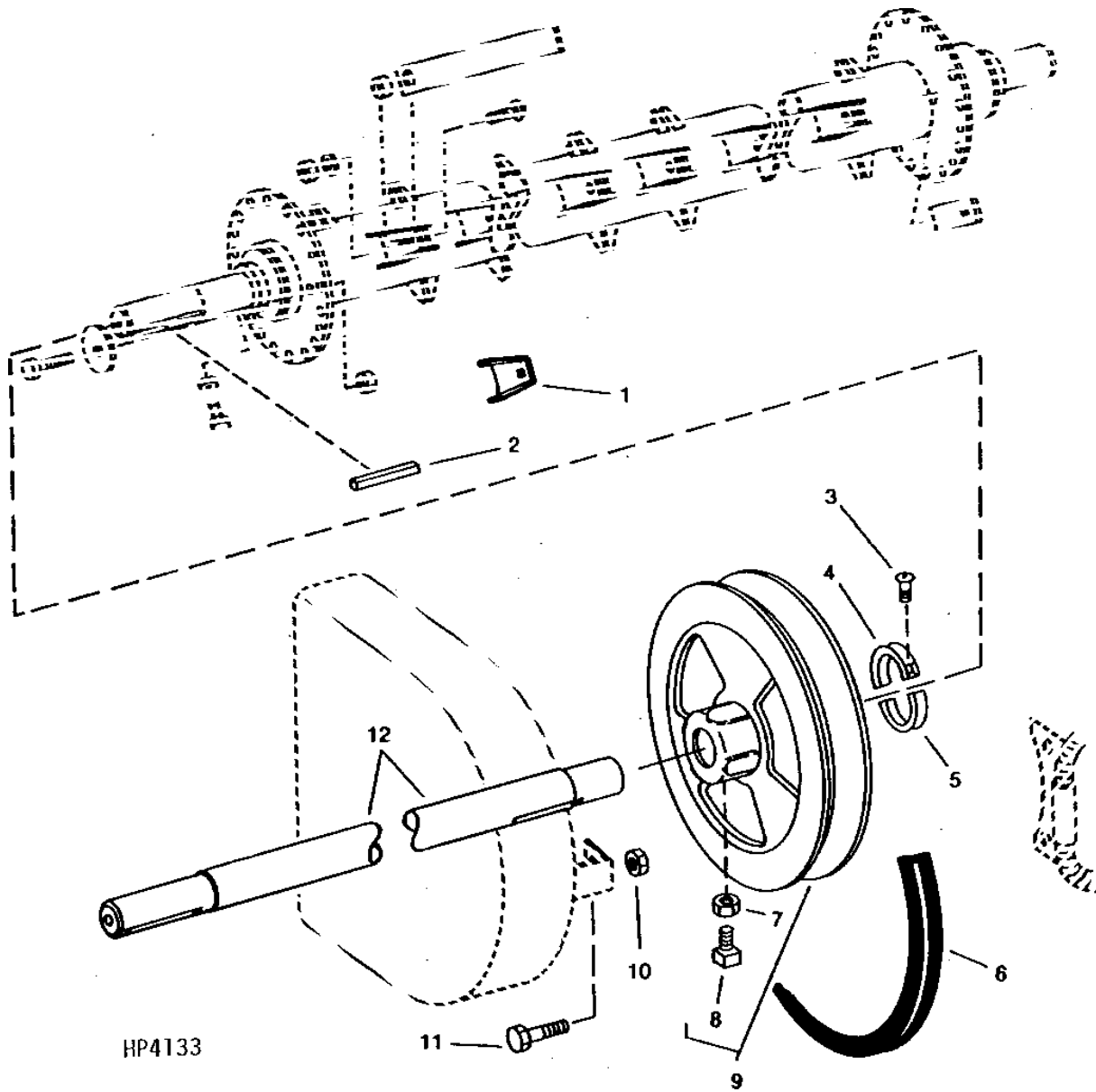
KEY	PART NO.	PART NAME	QTY	SERIAL NO.	REMARKS
1	H128360	CAP SCREW	2		
	H128359	CAP SCREW	1	5/16" X 1-1/2"	
	H128358	CAP SCREW	2	5/16" X 1-1/4"	
2	H128357	CAP SCREW	3	5/16" X 1"	
	H128084	WASHER	6		
	H128083	WASHER	4	0.354" X 2" X 0.197"	
	H128082	WASHER	6	0.354" X 1.374" X 0.118"	
	H128081	WASHER	4	0.354" X 1.252" X 0.059"	
	H128080	WASHER	4	0.354" X 0.752" X 0.059"	
3	H129201	LOCK NUT	2		
	H143332	LOCK NUT	6	5/16" X 18 UNC	
4	H32147	LOCK NUT	30		
5	R42729	WASHER	28		
6	H88783	WASHER	30		
7	H88809	BLADE	30		
8	03H2305	BOLT	30	3/8" X 1-1/4"	
9	H88807	GUSSET	1	(SUB AH136017)	
10	22H748	SET SCREW	1	1/2" X 1"	
11	14H826	NUT	1	1/2"	
12	AH136017	ROTOR	1	-640400	(SUB AH139290)
	AH139290	ROTOR	1		
13	H132998	BRACKET	1		

2F7

FC: 5841

SEPARATOR

STRAW CHOPPER, ROTOR AND SHEAVE
HP4133 -UN-01JAN94



HP4133

2F8

FC: 5841

SEPARATOR

STRAW CHOPPER, ROTOR AND SHEAVE - CONTINUED

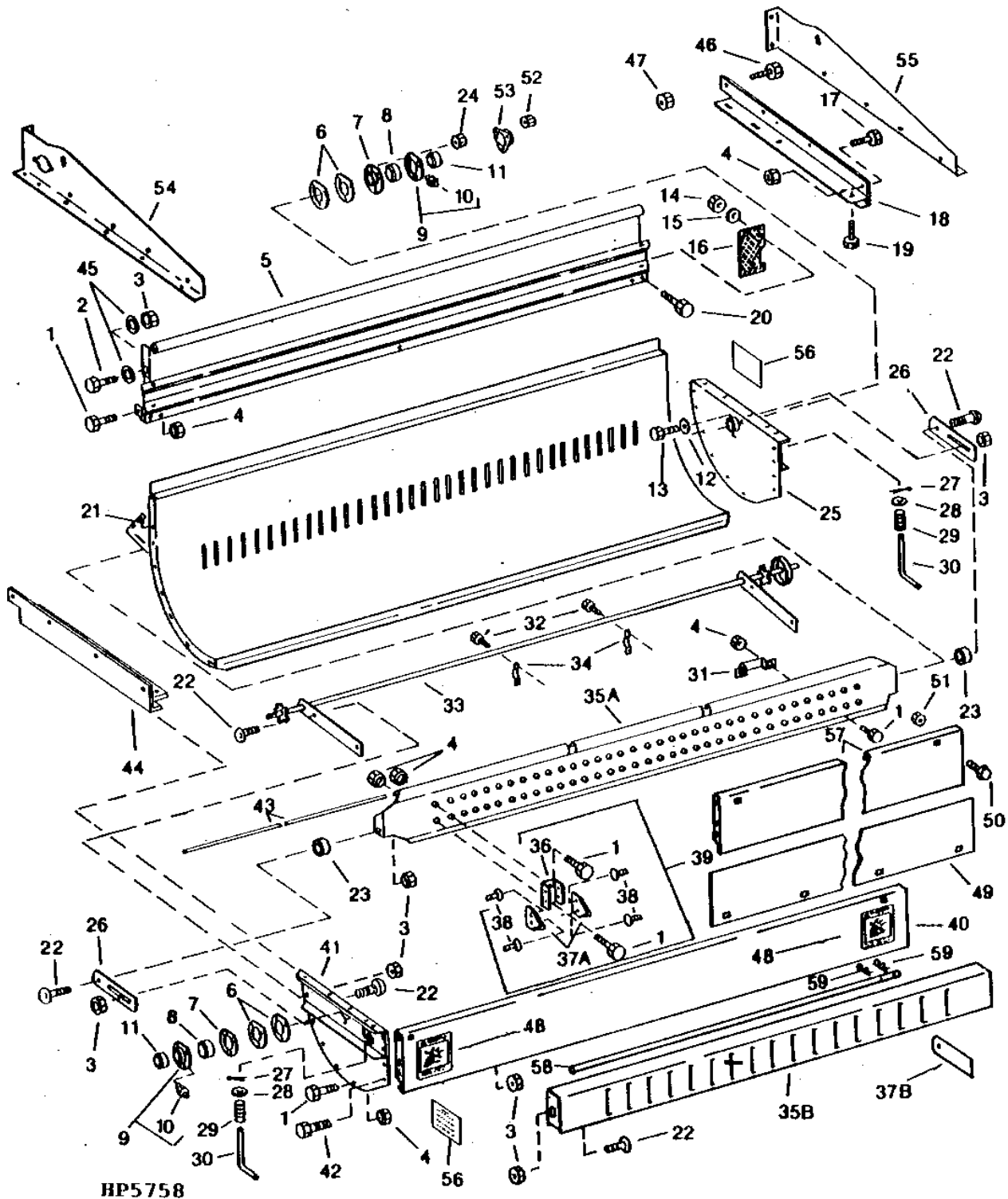
KEY	PART NO.	PART NAME	QTY	SERIAL NO.	REMARKS
1	H132998	BRACKET	1		
2	H98896	SHAFT KEY	1		(SUB H64375)
	H64375	SHAFT KEY	1		
3	21H1419	SCREW	1		0.190" X 1"
4	H104794	ACTUATOR	1		
5	H104793	ACTUATOR	1		
6	H125381	BELT	1		
	H23950	BELT	1		
7	14M7152	NUT	1		M10
8	H138435	SET SCREW	2		
9	AH119770	SHEAVE	2		
10	14M7298	FLANGE NUT	1		M8
11	19M7865	SCREW	1		M8 X 16
12	H141580	DRIVE SHAFT	1	-640400	(SUB H145275)
	H145275	SHAFT	1		

2F9

FC: 5841

SEPARATOR

STRAW CHOPPER HOUSING AND KNIFEBANK
(-640400)
HP5758 -UN-01JAN94



HP5758

2F10

FC: 5841

SEPARATOR

STRAW CHOPPER HOUSING AND KNIFEBANK - CONTINUED
(-640400)

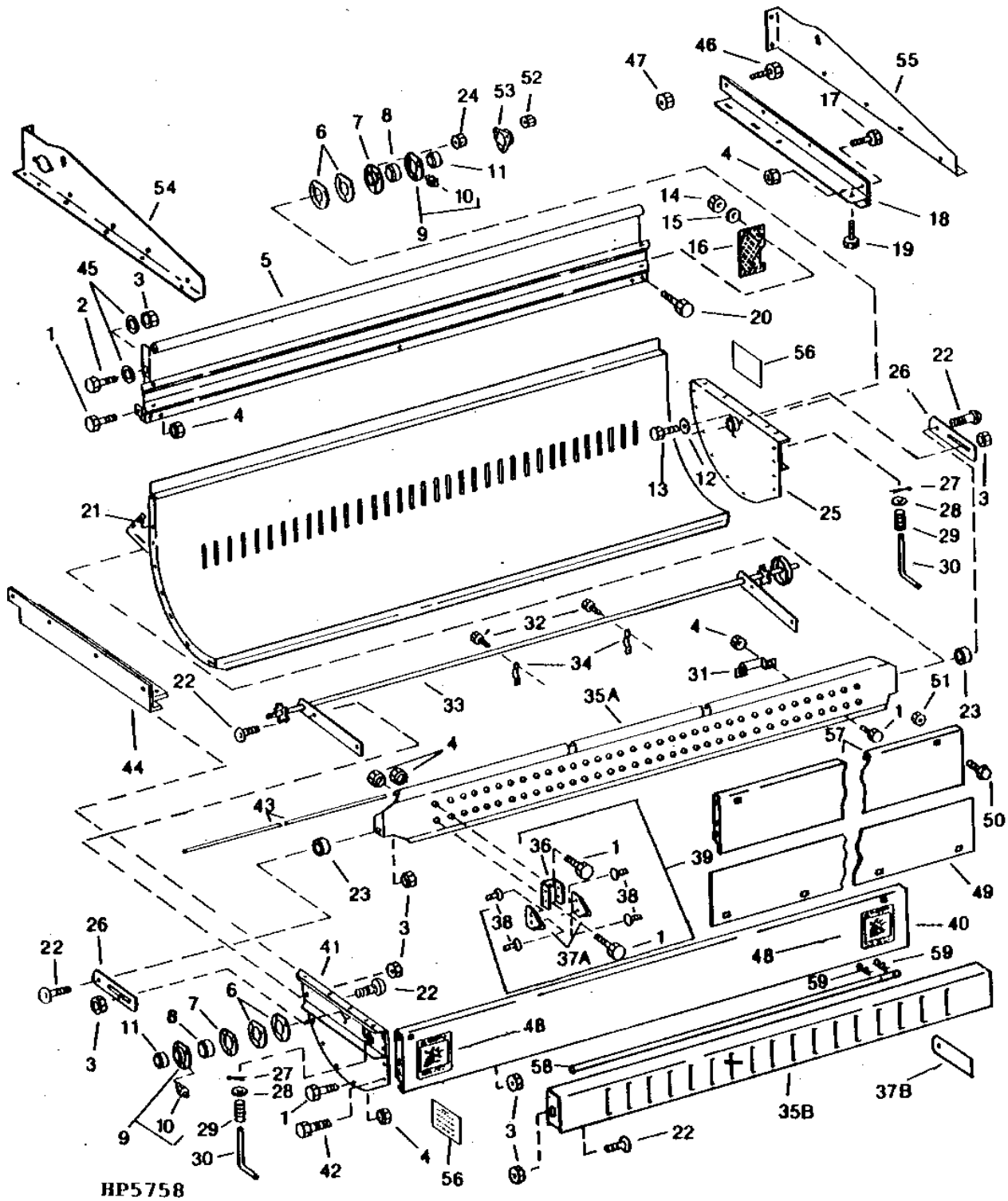
KEY	PART NO.	PART NAME	QTY	SERIAL NO.	REMARKS
1	19M7866	SCREW	AR		M8 X 20
2	19M7784	SCREW	AR		
3	14M7296	FLANGE NUT	AR		M10
4	14M7298	FLANGE NUT	AR		M8
5	AH122918	EXTENSION	1		
6	H128709	WASHER	4	-640400	
7	H131161	PRESSED FLANGED HOUSING	2	-640400	
8	JD10387	BALL BEARING	2	-640400	
	AH139260	BEARING	2	640401-	BEARING IS PART OF CAST HOUSING
9	AH126221	PRESSED FLANGED HOUSING	2	-640400	
10	JD7846	LUBRICATION FITTING	2		
11	JD8576	ECCENTRIC LOCKING COLLAR	2		
12	24M7239	WASHER	6		10.700 X 21 X 2.500 MM
13	19M7835	SCREW	6	-640400	M10 X 35
	19M7835	SCREW	3	640401-	M10 X 35
	19M7805	SCREW	3	640401-	M10 X 45
14	14M7396	LOCK NUT	4		
15	24M7207	WASHER	8		
16	H131612	GUARD	2		
17	19M7867	SCREW	AR		M8 X 25
18	AH130483	ANGLE	1	-640400	RH
	AH138628	SUPPORT	1	640401-APR91	RH
	AH139679	SUPPORT	1	APR91-	
19	19M7786	SCREW	AR		M10 X 30
20	19M7407	CAP SCREW	AR		
21	AH123012	SHEET	1	-640400	(SUB AH143048)
	AH143048	SHEET	1		
	AH136638	SHEET	1	640401-645400	(SUB AH138155)
	AH138155	SHEET	1	-SEPT93	(SUB AH143048)
	AH143048	SHEET	1		
22	03M7191	BOLT	AR		M10 X 25
23	28H1518	WASHER	2	-APR91	
24	14M7337	NUT	6	-MAR94	M10, (SUB 14M7517)
	14M7517	LOCK NUT	6		M10
25	AH138157	SHEET	1		
26	H84992	STRAP	2	-APR91	
27	11M7059	COTTER PIN	2		3.200 X 20 MM
28	24H1341	WASHER	2		17/32" X 15/16" X 0.060"
29	B28970	SPRING	2		
30	H136179	PIN	2		
31	H85184	HANDLE	2		
32	03M7184	BOLT	4		M8 X 20
33	AH121493	DRIVE SPROCKET	1	-640400	(SUB AH135837 AND H141388)
	AH135837	DRIVE SPROCKET	1		
	H141388	SHIELD	1		
34	H84990	CLAMP	4		
35A	H128114	SUPPORT	1	-640400	
	AH135549	CHANNEL	1	640401-APR91	
35B	AH140129	CHANNEL	1	APR91-	(INCLUDES B27835)
	B27835	BUSHING	1		
36	H88800	CHANNEL	AR	-640400	DOUBLE BLADE BRACKET
	P48067	BRACKET	2	-640400	SINGLE BLADE BRACKET
37A	E76372	SECTION	AR	-APR91	
37B	H142141	KNIFE	29	APR91-	
38	Z5086H	RIVET	AR	-640400	
39	AH89918	BRACKET	AR	-640400	DOUBLE BLADE ASSY.
	AP23601	BRACKET	1	-640400	SINGLE BLADE ASSY.
40	AH135721	SHEET	1	-640400	(SUB AH139791)
	AH138891	SHEET	1		
	AH139791	SHEET	1		
	AH144478	SHEET	1	SEPT94-	FOR WIDE SPREAD STRAW CHOPPER
41	AH131865	SHEET	1	-640400	
	AH135461	SHEET	1	640401-645400	(SUB AH138156)
	AH138156	SHEET	1		

2F11

FC: 5841

SEPARATOR

STRAW CHOPPER HOUSING AND KNIFEBANK - CONTINUED
(-640400)
HP5758 -UN-01JAN94



HP5758

2F12

FC: 5841

SEPARATOR

STRAW CHOPPER HOUSING AND KNIFEBANK - CONTINUED
 (-640400)

KEY	PART NO.	PART NAME	QTY	SERIAL NO.	REMARKS
42	19M7785	SCREW	AR		M10 X 25
43	H99025	DOWEL PIN	1	-640400	(SUB FOR H84991)
44	AH130482	ANGLE	1	-640400	LH
	AH138629	SUPPORT	1	640401-APR91	LH
	AH139680	SUPPORT	1	APR91-	
45	H126334	LOCK WASHER	1		
46	19M7810	SCREW	4	-FEB91	M10 X 80
	19M7809	SCREW	4	FEB91-	M10 X 70
47	14M7400	LOCK NUT	4		M10
48	H144288	DECAL	2	-SEPT94	(SUB H149102) "WARNING" CHOPPER POSTION
	H149102	DECAL	2		"WARNING" CHOPPER POSTION
49	H144299	SHIELD	1	640401-JAN91	(SUB H145854)
	H145854	SHIELD	1	-FEB91	(SUB H146308)
	H146308	SHIELD	1		
50	03M7184	BOLT	9	640401-	
51	14M7298	FLANGE NUT	9	640401-	
52	14M7274	NUT	3	640401-	
53	H145319	COVER	1	640401-	
54	SUPPORT	1	640401-	
55	SUPPORT	1	640401-	
56	H145857	LABEL	2		"WARNING" CHOPPER POSITION
	H145858	LABEL	1		"WARNING" CHOPPER POSITION (FRENCH)
57	H145778	RAIL	2	640401-	FRONT AND REAR
58	H141138	PIN	1	APR91-	(SUB H149992)
	H149992	PIN	1	-AUG93	
59	J16931	SPRING LOCKING PIN	2	APR91-	
	11M7059	COTTER PIN	2		

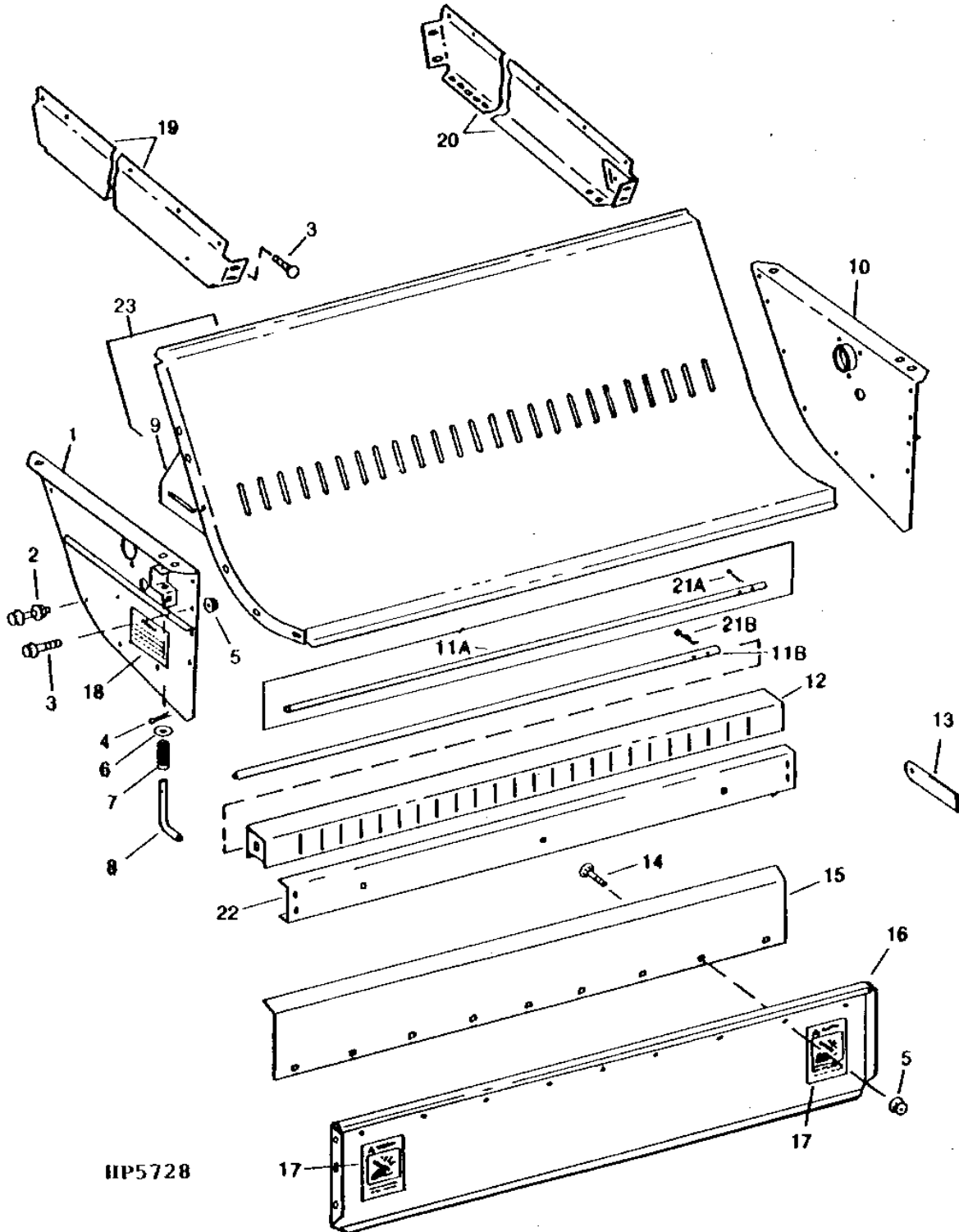
BH80154 (COMPLETE GOODS) CORN CHOPPER WITH DRIVES

2F13

FC: 5841

SEPARATOR

STRAW CHOPPER HOUSING AND KNIFEBANK
(640401-)
HP5728 -UN-01JAN94



HP5728

2F14

FC: 5841

SEPARATOR

STRAW CHOPPER HOUSING AND KNIFEBANK - CONTINUED
(640401-)

KEY	PART NO.	PART NAME	QTY	SERIAL NO.	REMARKS
1	AH138156	SHEET	1		L.H.
2	19M7866	SCREW	AR		M8 X 20
3	19M7785	SCREW	4		M10 X 25
4	11M7059	COTTER PIN	2		3.200 X 20 MM
5	14M7298	FLANGE NUT	AR		M8
6	24H1341	WASHER	2		17/32" X 15/16" X 0.060"
7	B28970	SPRING	2		
8	H136179	PIN	2		
9	H149026	SUPPORT	1		R.H.
	H149027	SUPPORT	1		L.H.
10	AH138157	SHEET	1		R.H.
11A	H141138	PIN	1	-AUG93	(SUB H149992)
11B	H149992	PIN	1	AUG93-	
12	AH140129	CHANNEL	1		
13	H142141	KNIFE	1		
14	03M7184	BOLT	AR		M8 X 20
15	H146308	SHIELD	1		
16	AH139791	SHEET	1		
17	H144288	DECAL	2	-SEPT94	(SUB H149102) "WARNING" CHOPPER POSITION
	H149102	DECAL	2		"WARNING" CHOPPER POSITION
18	H145857	LABEL	1		"IMPORTANT" CHOPPER POSITION
	H145858	LABEL	1		"WARNING" CHOPPER POSITION (FRENCH)
19	AH139680	SUPPORT	1		L.H.
20	AH139679	SUPPORT	1		R.H.
21A	11M7059	COTTER PIN	2	-AUG93	3.200 X 20 MM
21B	H114001	QUICK LOCK PIN	2	AUG93-	
22	H145778	RAIL	1		
23	AH138155	SHEET	1	-SEPT93	(SUB AH143048)
	AH143048	SHEET	1		

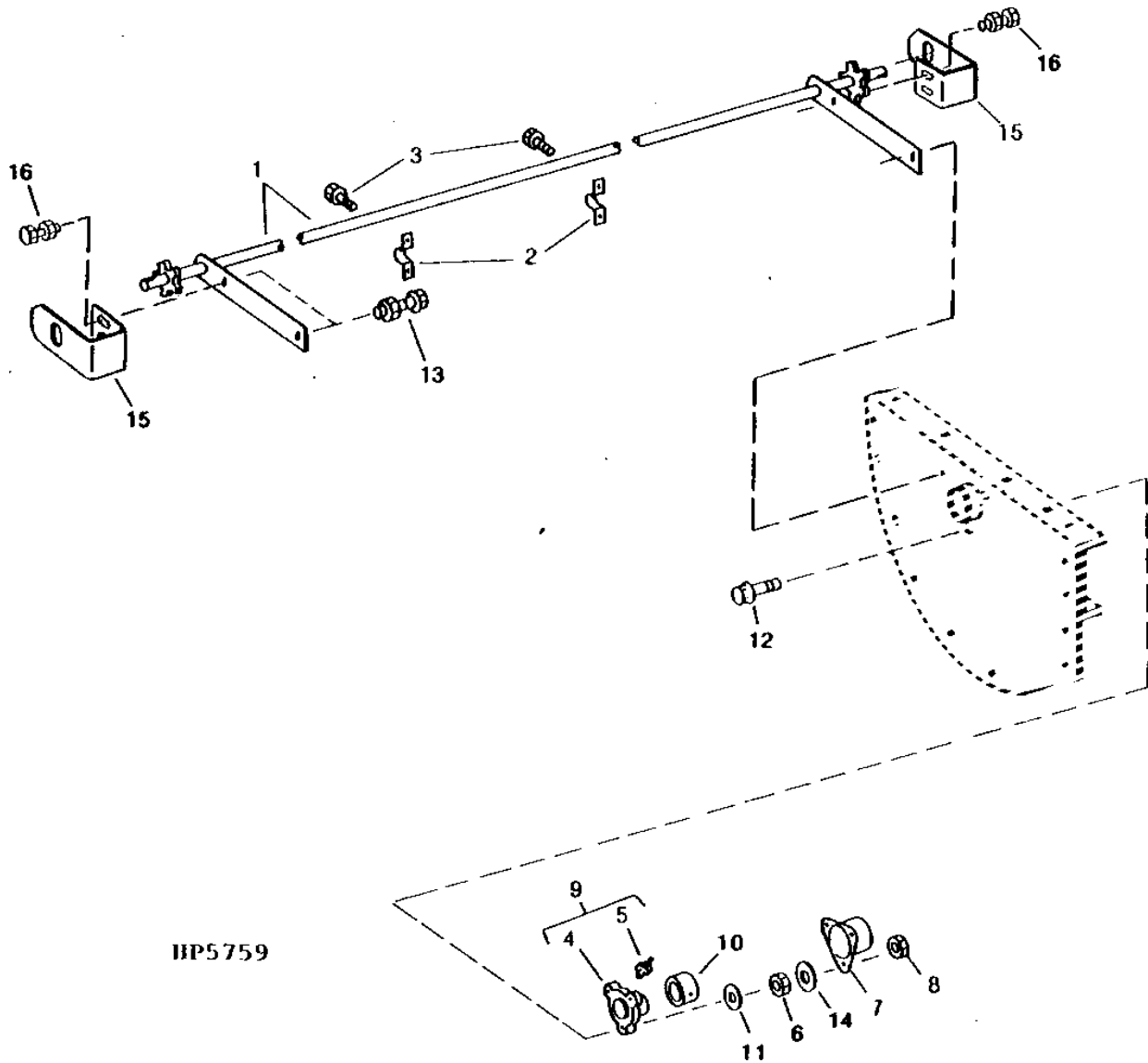
BH80127 (COMPLETE GOODS) STRAW CHOPPER WITH DRIVES

2F15

FC: 5841

SEPARATOR

STRAW CHOPPER HOUSING AND KNIFEBANK (640401-)
HP5759 -UN-01JAN94



2F16

FC: 5841

SEPARATOR

STRAW CHOPPER HOUSING AND KNIFEBANK - CONTINUED
(640401-)

KEY	PART NO.	PART NAME	QTY	SERIAL NO.	REMARKS
1	AH135837	DRIVE SPROCKET	1		
2	H84990	CLAMP	2		
3	03M7184	BOLT	2		M8 X 20
4	JD10387	BALL BEARING	1		
5	JD7844	LUBRICATION FITTING	1		
6	14M7337	NUT	1	-SEPT92	M10, (SUB 14M7517)
	14M7517	LOCK NUT	1		
7	H145319	COVER	1		
8	14M7274	NUT	1		M10
9	AH139260	BEARING	1		
10	JD8576	ECCENTRIC LOCKING COLLAR	1		
11	24M7239	WASHER	6		10.700 X 21 X 2.500 MM
12	19M7805	SCREW	6		M10 X 45
13	19M7867	SCREW	4		M8 X 25
14	24M7028	WASHER	3		10.500 X 20 X 2 MM
15	H141388	SHIELD	2		
16	19M7867	SCREW	2		M8 X 25
	14M7298	FLANGE NUT	2		M8

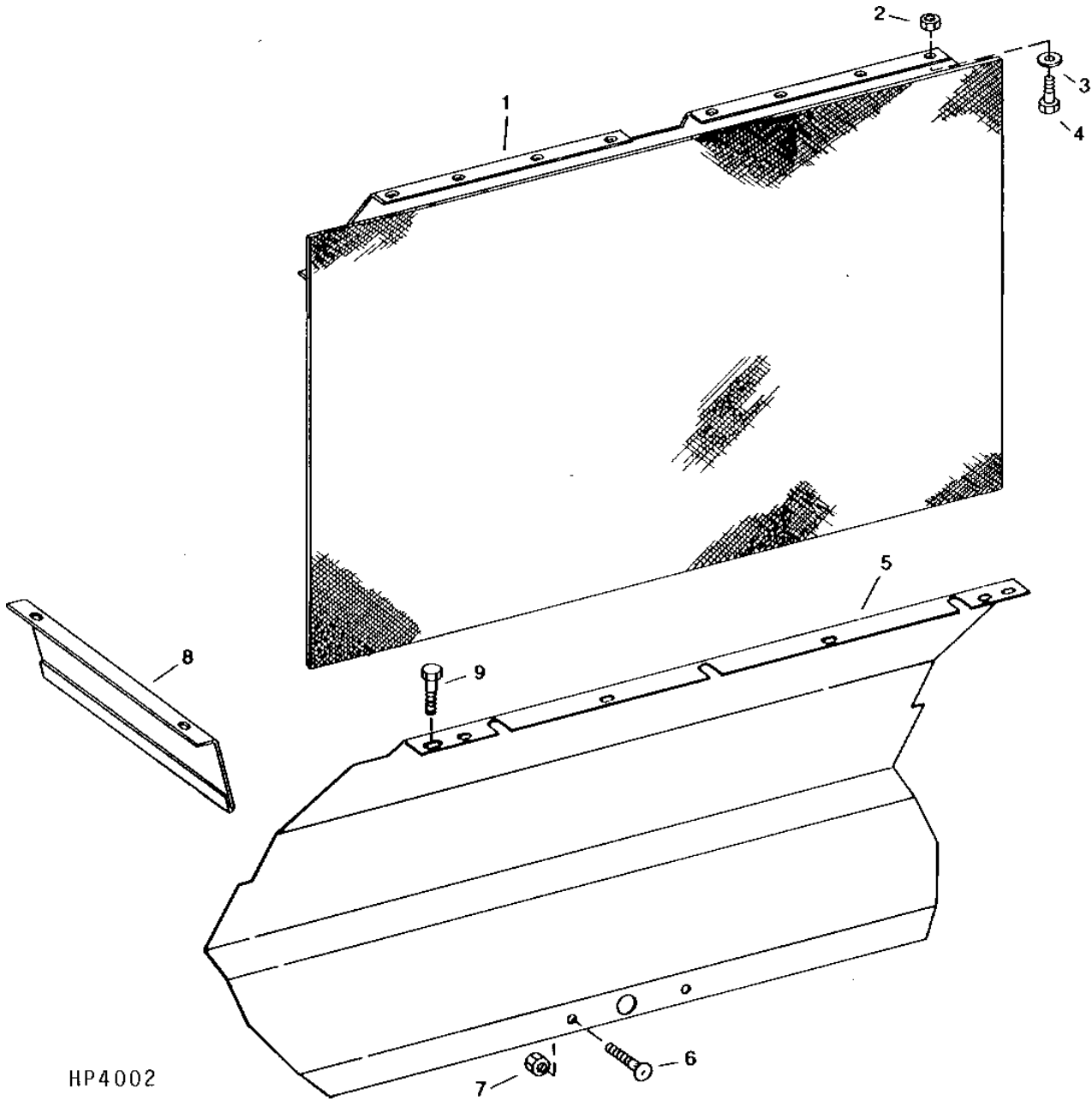
BH80127 (COMPLETE GOODS) STRAW CHOPPER WITH DRIVES

2F17

FC: 5841

SEPARATOR

CORN CURTAIN AND DEFLECTORS (OPTIONAL)
HP4002 -UN-01JAN94



HP4002

2F18

FC: 5841

SEPARATOR

CORN CURTAIN AND DEFLECTORS (OPTIONAL) - CONTINUED

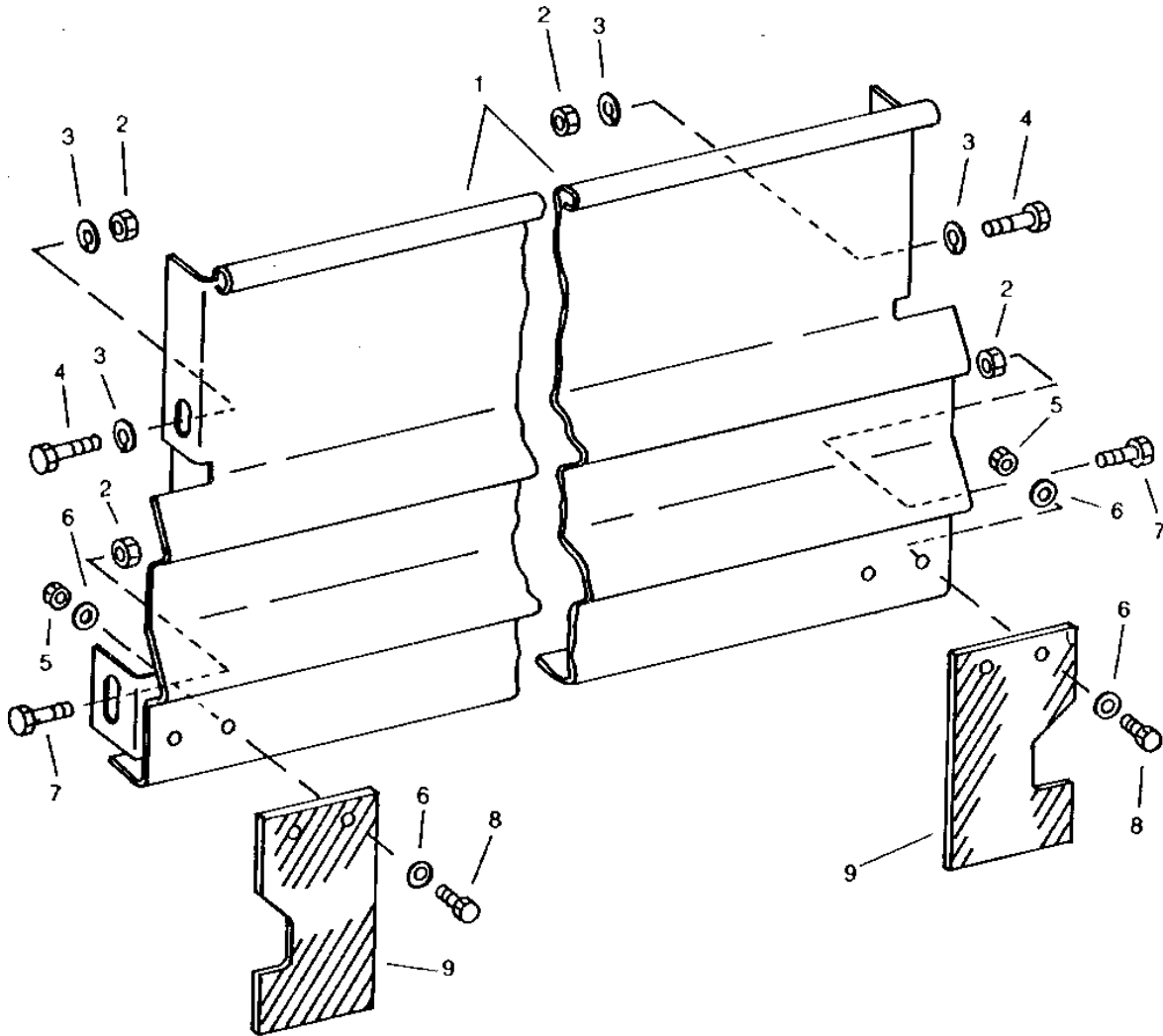
KEY	PART NO.	PART NAME	QTY	SERIAL NO.	REMARKS
1	AH117265	SUPPORT	1		CORN ONLY
2	14M7298	FLANGE NUT	8		M8
3	24M7207	WASHER	2		8.400 X 24 X 2 MM
4	19M7865	SCREW	14		M8 X 16
5	H137403	DEFLECTOR	1		CORN ONLY
6	03M7183	BOLT	2		M8 X 16
7	14M7298	FLANGE NUT	2		M8
8	H134889	DEFLECTOR	2		CORN AND GRAIN
9	37M7092	SCREW	6	-640400	M8 X 16
	37M7058	SCREW	6	640401-	M8 X 20

2F19

FC: 5841

SEPARATOR

STRAW CHOPPER DOOR
HP3785 -UN-01JAN94



HP3785

2F20

FC: 5841

SEPARATOR

STRAW CHOPPER DOOR - CONTINUED

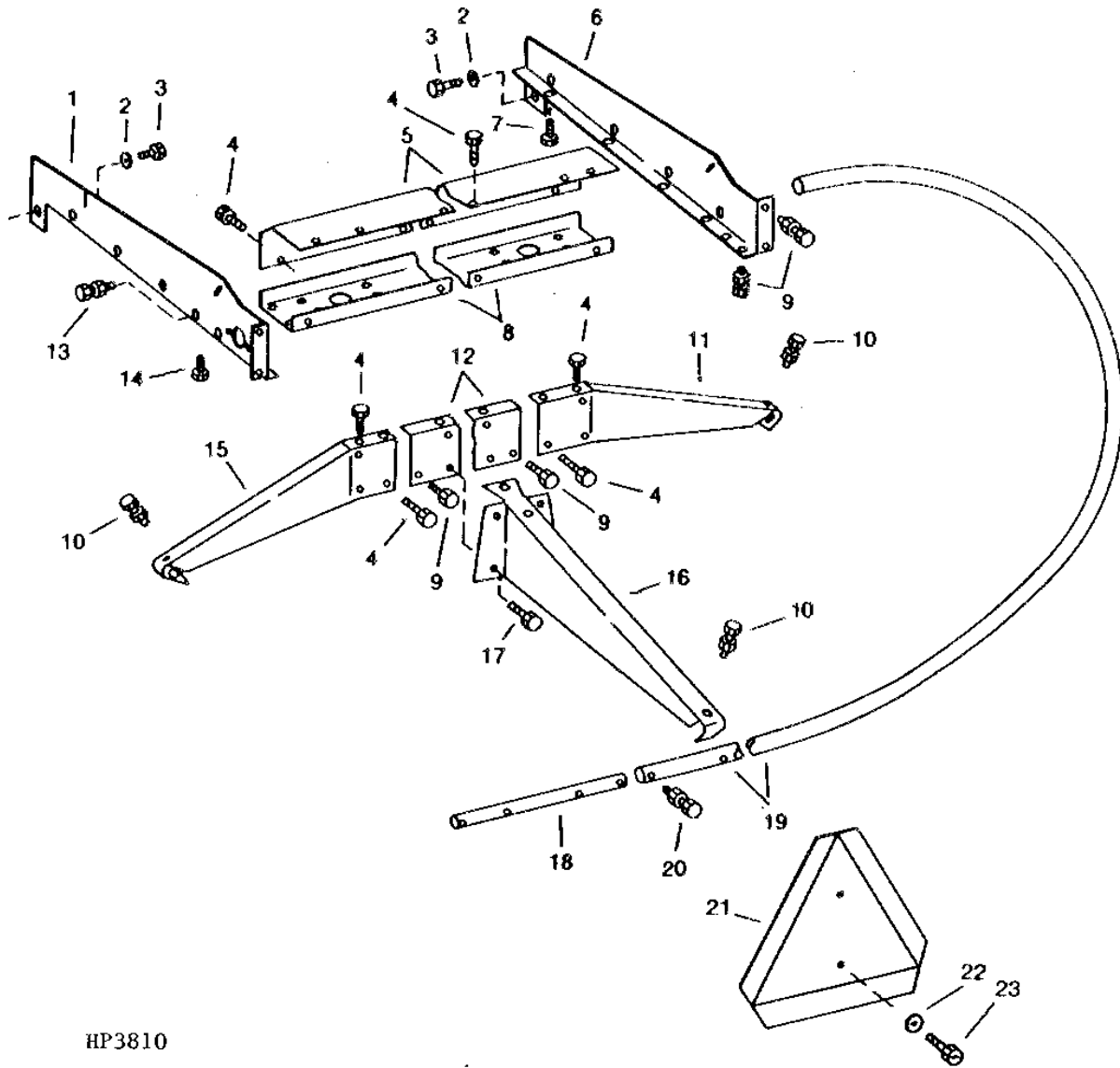
KEY	PART NO.	PART NAME	QTY	SERIAL NO.	REMARKS
1	AH122918	EXTENSION	1		
2	14M7400	LOCK NUT	4	M10	
3	H126334	LOCK WASHER	4		11.230 X 22.230 X 1.140 MM (0.442" X 0.875" X 0.045")
4	19M7786	SCREW	2	M10 X 30	
5	14M7396	LOCK NUT	4	M8	
6	24M7207	WASHER	8		8.400 X 24 X 2 MM
7	19M7167	CAP SCREW	2	M10 X 25	
8	19M7407	CAP SCREW	4	M8 X 25	
9	H131612	GUARD	2		

2F21

FC: 5842

SEPARATOR

STRAW SPREADER MOUNTING AND GUARD
HP3810 -UN-01JAN94



HP3810

2F22

FC: 5842

SEPARATOR

STRAW SPREADER MOUNTING AND GUARD - CONTINUED

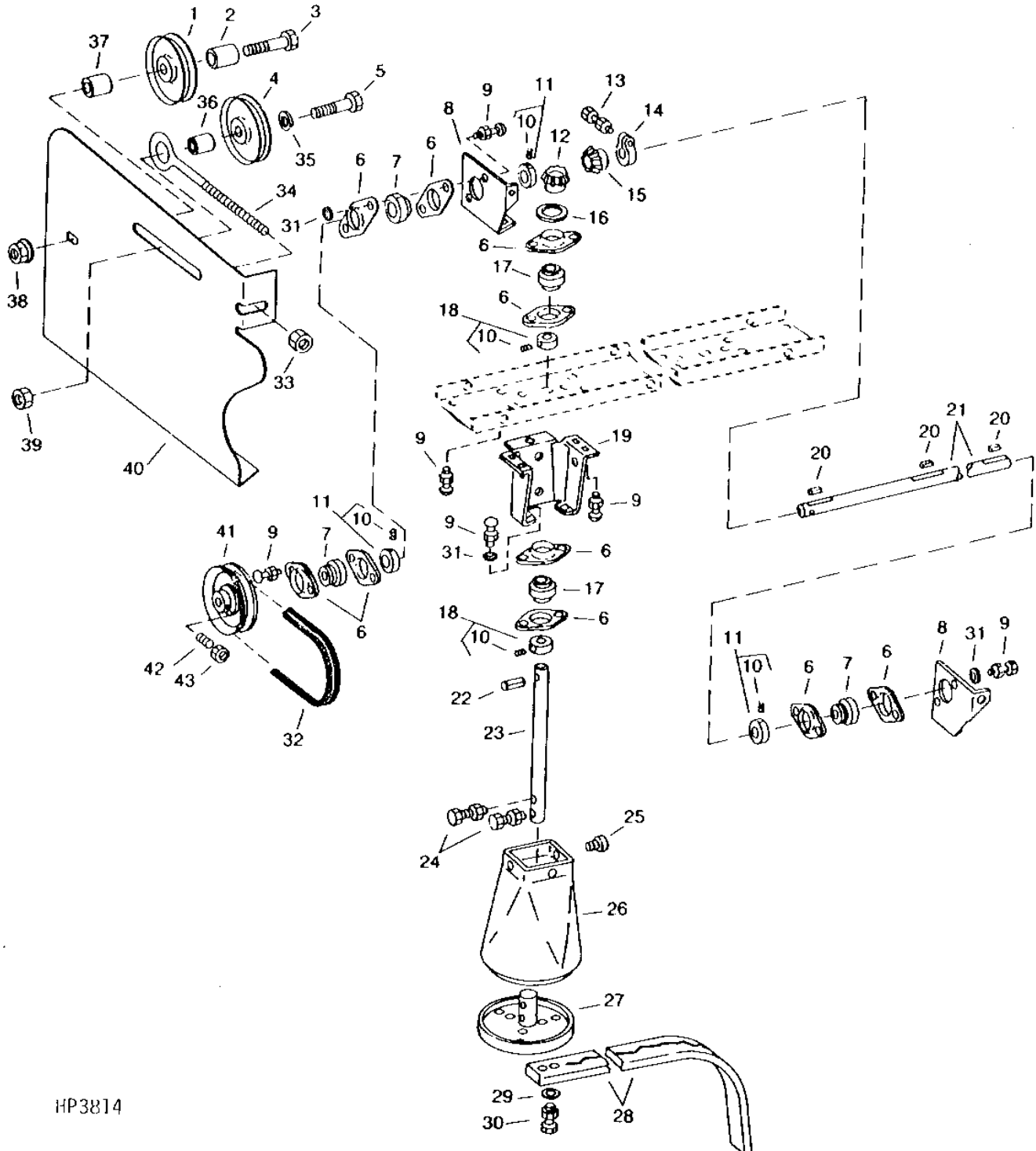
KEY	PART NO.	PART NAME	QTY	SERIAL NO.	REMARKS
1	AH134439	ANGLE	1		L.H.
2	12H301	LOCK WASHER	1		1/2"
3	19H1792	CAP SCREW	1		1/2" X 1"
4	H65108	SCREW	1	-MAY93	(SUB H78354)
	H78354	SCREW	1		
5	H117696	SUPPORT	1		
6	AH134438	ANGLE	1		R.H.
7	19M7784	SCREW	1		M10 X 20
8	H117692	SUPPORT	1		
9	19M7784	SCREW	11		M10 X 20
	14M7296	FLANGE NUT	1		M10
10	19M7979	SCREW	11		M8 X 55
	14M7396	LOCK NUT	1		M8
11	H121575	SUPPORT	1		
12	H117694	SUPPORT	1		
13	19M7866	SCREW	4		M8 X 20
	14M7298	FLANGE NUT	4		M8
14	19M7785	SCREW	4		M10 X 25
15	H121576	SUPPORT	1		
16	H117696	SUPPORT	1		
17	19M7866	SCREW	1		
18	H84932	TUBE	1		
19	AH85415	GUARD	2		
20	19M7295	CAP SCREW	2		M8 X 45
	14M7396	LOCK NUT	1		M8
21	TY2615	SMV EMBLEM	1		
22	24M7139	WASHER	2		6.400 X 18 X 1.600 MM
23	37M7131	SCREW	2		

2F23

FC: 5842

SEPARATOR

STRAW SPREADER
HP3814 -UN-01JAN94



HP3814

2F24

FC: 5842

SEPARATOR

STRAW SPREADER - CONTINUED

KEY	PART NO.	PART NAME	QTY	SERIAL NO.	REMARKS
1	AH14097	SHEAVE	1		
2	28H1600	SPACER	1		
3	19M7819	SCREW	1	M12 X 90	
4	AM103480	IDLER	1		
5	19M7825	SCREW	1	M16 X 65	
6	P44439	PRESSED FLANGED HOUSING	14		
7	JD8665	BALL BEARING	1		
8	H135493	SUPPORT	3		
9	03H1540	BOLT	20	5/16" X 3/4"	
10	14H785	NUT	8	5/16"	
11	JD8554	ECCENTRIC LOCKING COLLAR	4		
12	H91228	GEAR	2	(SUB AH139115)	SET OF TWO GEARS
13	19M7572	CAP SCREW	2	M10 X 45	
	14M7296	FLANGE NUT	2	M10	
14	M2300T	CLAMP	2	-640400	(SUB H145112)
	H145112	CLAMP	2		
15	H91796	GEAR	2	(SUB AH139115)	SET OF TWO GEARS
16	24H1433	WASHER	2	29/32" X 2-1/4" X 1/4"	
17	JD9442	BALL BEARING	4		
18	JD8563	ECCENTRIC LOCKING COLLAR	4		
19	AH131166	SUPPORT	2		
20	H64374	SHAFT KEY	3		
21	H134716	DRIVE SHAFT	1		
22	25H1182	GROOVE PIN	2		
23	H135494	PIN	2		
24	19M8318	SCREW	2	M8 X 45	
	14M7396	LOCK NUT	2	M8	
25	37M7058	SCREW	6	M8 X 20	
26	H83795	GUARD	2		
27	AH131165	PLATE	2	-FEB92	(SUB AH141184)
	AH141184	CAP	2		
28	H76933	BLADE	6		
29	24M7207	WASHER	12	8.400 X 24 X 2 MM	
30	19M7322	CAP SCREW	12	-AUG94	M8 X 35
	14M7396	LOCK NUT	12	M8	
31	24M7238	WASHER	10	8.700 X 17 X 2 MM	
32	H128234	BELT	1		
33	14M7291	FLANGE NUT	1	M16	
34	H127583	EYEBOLT	1		
35	24H1772	WASHER	1	21/32" X 1" X 0.105", (SUB 24H1365)	THIS APPLICATION ONLY
	24H1365	WASHER	1	21/32" X 1" X 0.090"	
36	Z33404	SPACER	1		
37	28H2514	BUSHING	1		
38	14M7299	FLANGE NUT	1	M12	
39	14M7291	FLANGE NUT	1	M16	
40	H135017	BRACKET	1		
41	AH130964	SHEAVE	2		
42	H138435	SET SCREW	4		
43	14M7152	NUT	1	M10	

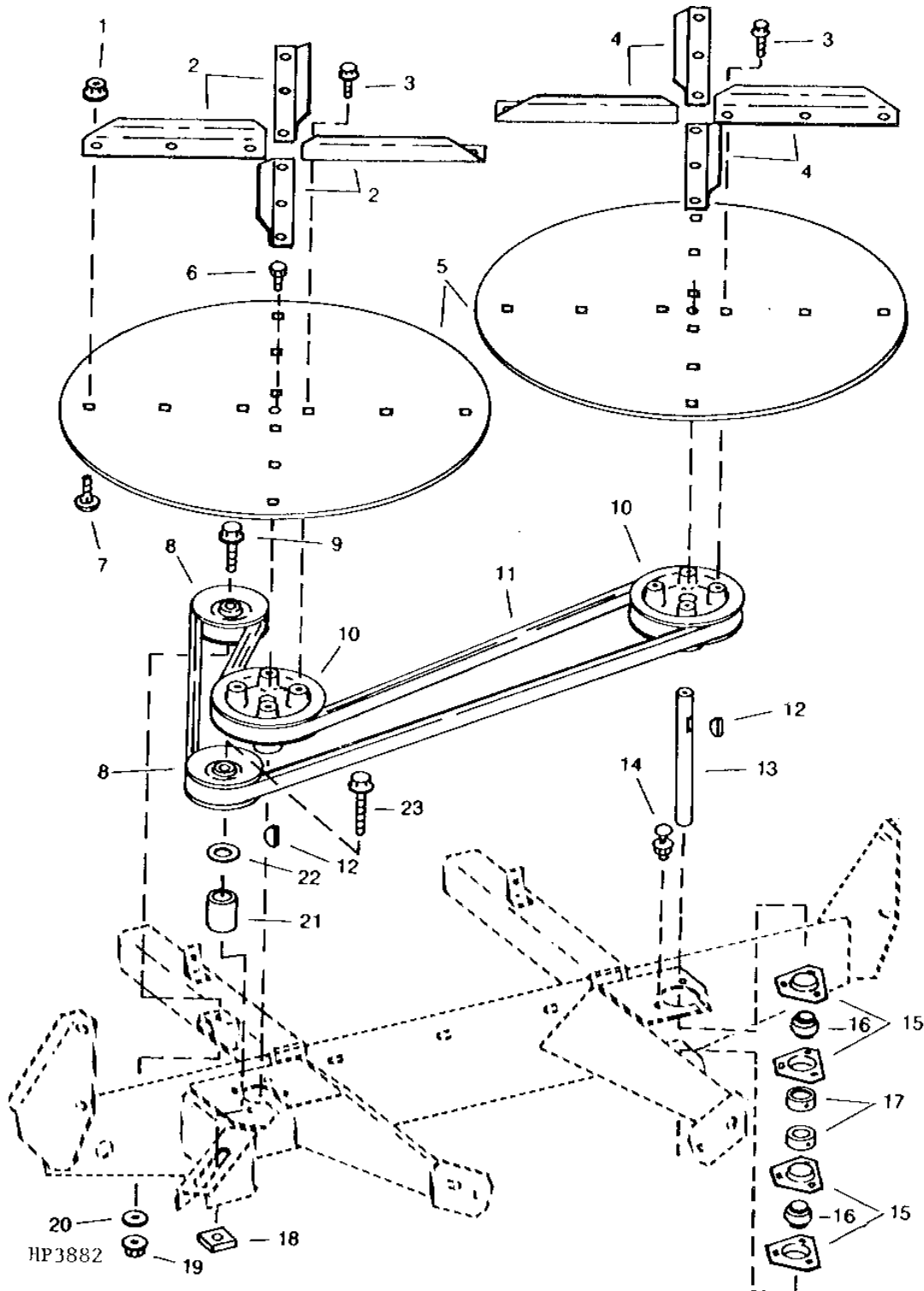
BH80073 (COMPLETE GOODS) STRAW CHOPPER LOWER W/CHAFF SPREADER
 BH80007 (COMPLETE GOODS) STRAW SPREADER W/DRIVES

2G1

FC: 5843

SEPARATOR

CHAFF SPREADER DISC AND DRIVE BELT
HP3882 -UN-01JAN94



2G2

FC: 5843

SEPARATOR

CHAFF SPREADER DISC AND DRIVE BELT - CONTINUED

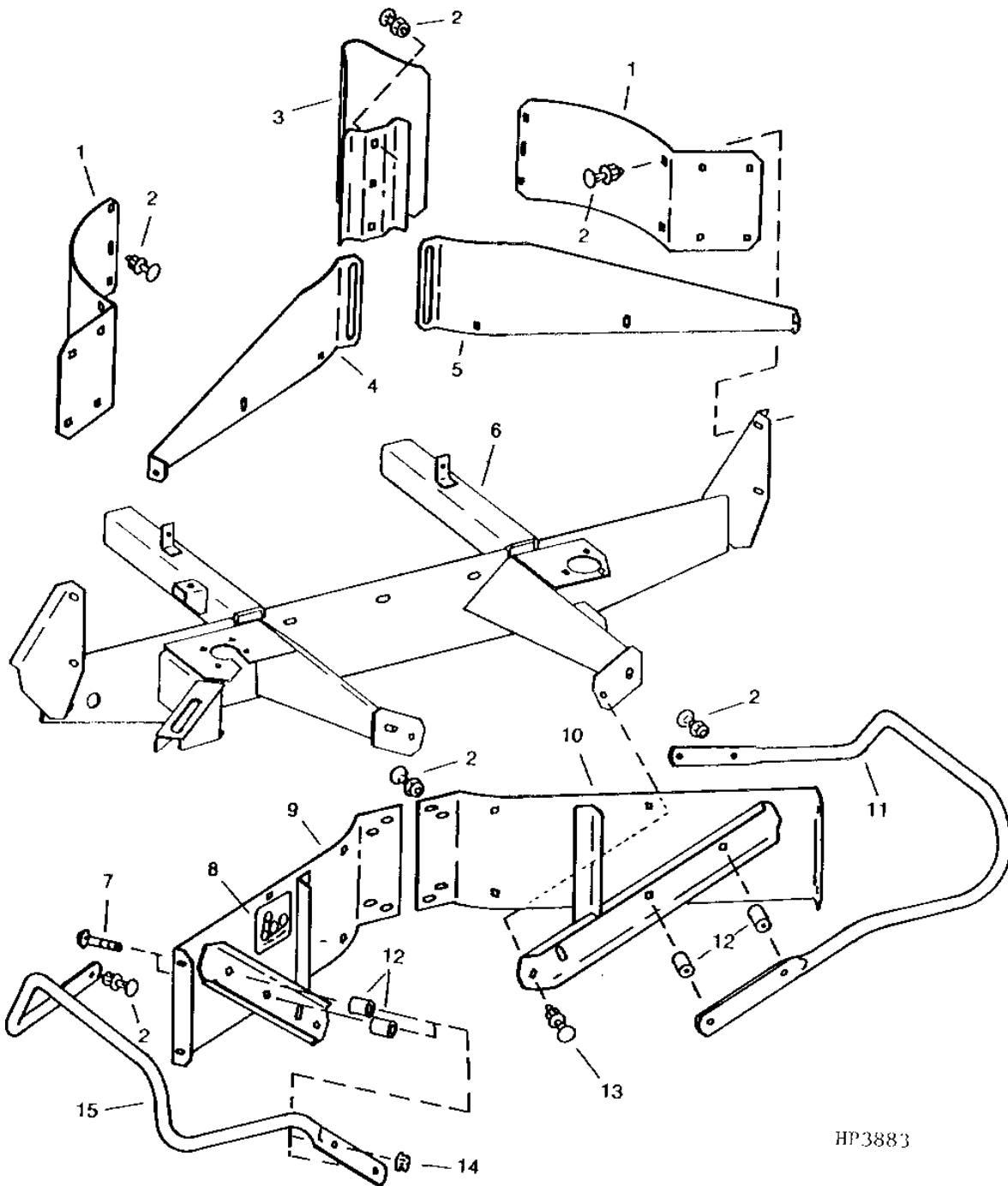
KEY	PART NO.	PART NAME	QTY	SERIAL NO.	REMARKS
1	14M7396	LOCK NUT	16	M8	
2	H140162	ANGLE	4		
3	19M7865	SCREW	8	M8 X 16	
4	H140161	ANGLE	4		
5	H136257	DISK	2		
6	19M7867	SCREW	1	M8 X 25	
7	03M7184	BOLT	16	M8 X 20	
8	AH134444	SHEAVE	2		
9	19M8112	SCREW	1	M12 X 55	
10	H139670	SHEAVE	2		
11	M95728	BELT	1		
12	26H22	SHAFT KEY	2	(SUB 26H85)	
	26H85	SHAFT KEY	2		
13	H138303	SHAFT	1		
14	03M7184	BOLT	3	M8 X 20	
	14M7298	FLANGE NUT	3	M8	
15	H103264	PRESSED FLANGED HOUSING	4		
16	JD9273	BALL BEARING	2		
17	JD8554	ECCENTRIC LOCKING COLLAR	2		
18	H130957	NUT	1		
19	14M7299	FLANGE NUT	1	M12	
20	24H1790	WASHER	1	17/32" X 1-1/2" X 0.164", (SUB 24H1351)	
21	28H3315	BUSHING	1		
22	24M7047	WASHER	1	13 X 24 X 2.500 MM	
23	19M7819	SCREW	1	M12 X 90	

2G3

FC: 5843

SEPARATOR

CHAFF SPREADER FRAME, SHIELDS AND HANDLES
HP3883 -UN-01JAN94



HP3883

2G4

FC: 5843

SEPARATOR

CHAFF SPREADER FRAME, SHIELDS AND HANDLES - CONTINUED

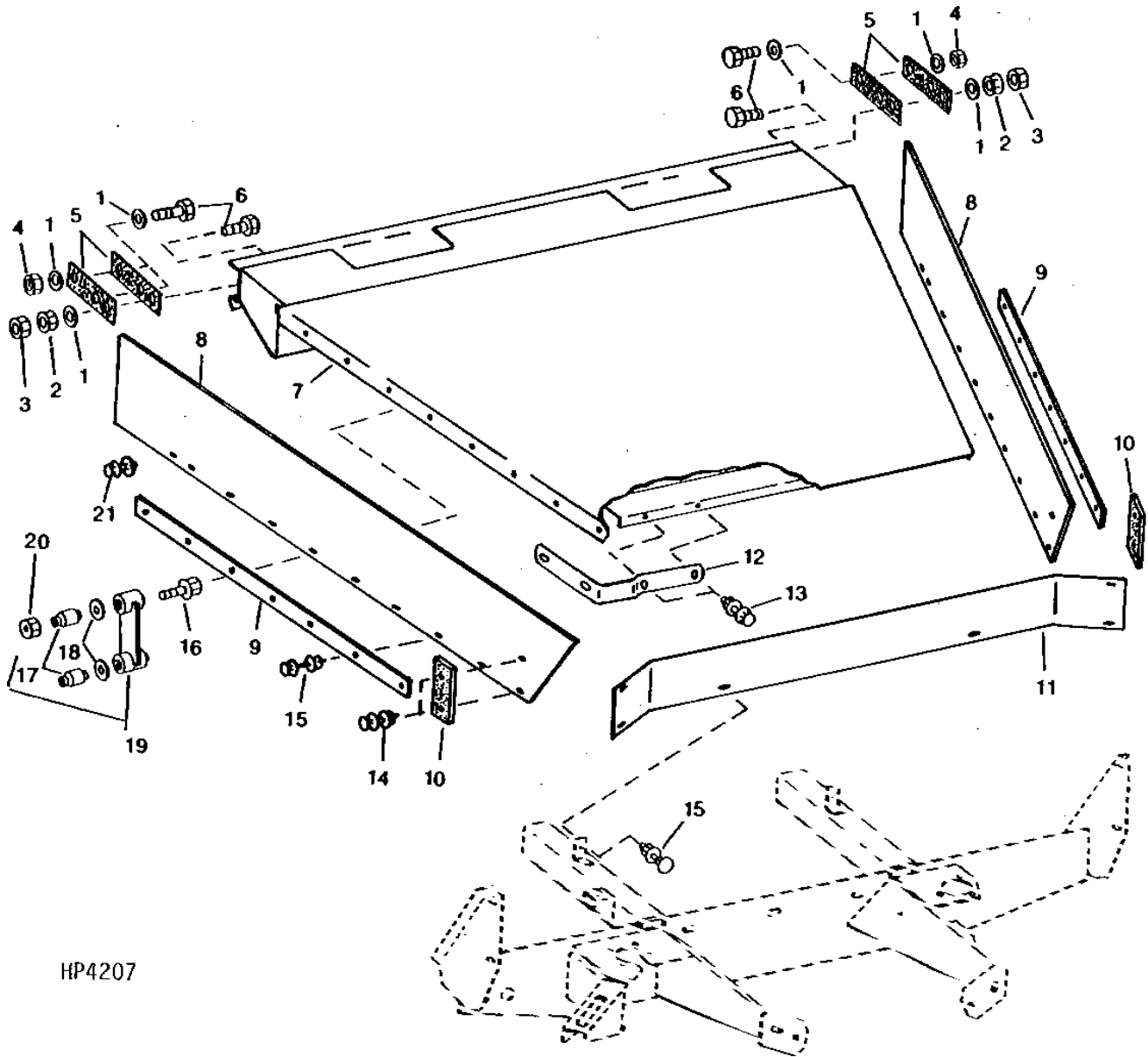
KEY	PART NO.	PART NAME	QTY	SERIAL NO.	REMARKS
1	H136280	SHIELD	2		
2	03M7184	BOLT	21	M8 X 20	
	14M7298	FLANGE NUT	21	M8	
3	AH132852	PARTITION	1		
4	H139938	SHIELD	1		
5	H139937	SHIELD	1		
6	AH134558	SUPPORT	1		
7	03M7223	BOLT	4	M8 X 60	
8	H139988	LABEL	1		
9	AH134580	SHIELD	1		
10	AH134579	SHIELD	1		
11	H139007	TUBE	1		
12	28H1633	BUSHING	4	0.364" X 0.540" X 1-9/16"	
13	19M7866	SCREW	4	M8 X 20	
	14M7298	FLANGE NUT	4	M8	
14	14M7298	FLANGE NUT	4	M8	
15	H139008	TUBE	1		

2G5

FC: 5843

SEPARATOR

CHAFF SPREADER PAN AND SEALS
HP4207 -UN-01JAN94



HP4207

2G6

FC: 5843

SEPARATOR

CHAFF SPREADER PAN AND SEALS - CONTINUED

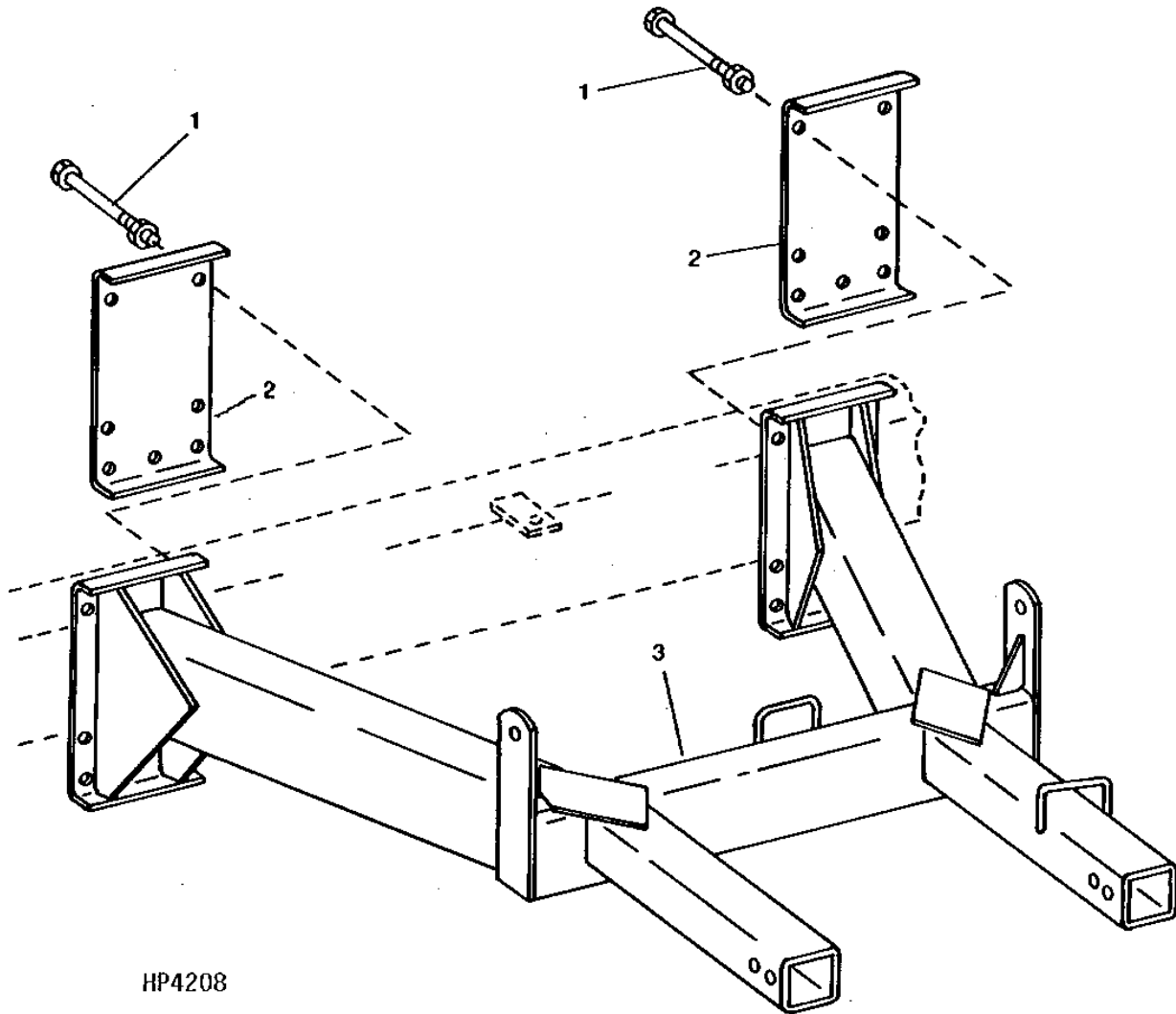
KEY	PART NO.	PART NAME	QTY	SERIAL NO.	REMARKS
1	24M7178	WASHER	10		10.500 X 30 X 2.500 MM
2	14M7296	FLANGE NUT	2		M10
3	14M7274	NUT	2		M10
4	14M7400	LOCK NUT	4		M10
5	H130388	STRAP	4		
6	19M7807	SCREW	4		M10 X 60
7	AH132359	FRAME	1	-JAN92	(SUB AH141042)
	AH141042	FRAME	1		
8	H136300	SEAL	2		
9	H136299	REINFORCEMENT	2		
10	H139006	STRAP	2		
11	H136279	SHIELD	1		
12	H143714	STRAP	2		
13	19M7866	SCREW	4		M8 X 20
	14M7298	FLANGE NUT	4		M8
14	19M7867	SCREW	4		M8 X 25
	24H1294	WASHER	4		11/32" X 1-1/8" X 1/16"
	24H1790	WASHER	4		17/32" X 1-1/2" X 0.164", (SUB 24H1351)
	24H1351	WASHER	4		14.275 X 38.100 X 4.166 MM
	14M7298	FLANGE NUT	4		M8
15	19M7866	SCREW	18		M8 X 20
	14M7298	FLANGE NUT	18		M8
16	19M7819	SCREW	4		M12 X 90
17	AH125200	BUSHING	4		
18	T62323	WASHER	4		13.487 X 51.054 X 3.175 MM (17/32" X 2.010" X 1/8")
19	AH125973	ARM	2	-JUL92	(SUB AH138233)
	AH138233	LINK	2		
20	14M7299	FLANGE NUT	4		M12
21	19M7867	SCREW	4		M8 X 25
	24H1294	WASHER	4		11/32" X 1-1/8" X 1/16"

2G7

FC: 5843

SEPARATOR

CHAFF SPREADER MOUNTING SUPPORT
HP4208 -UN-01JAN94



2G8

FC: 5843

SEPARATOR

CHAFF SPREADER MOUNTING SUPPORT - CONTINUED

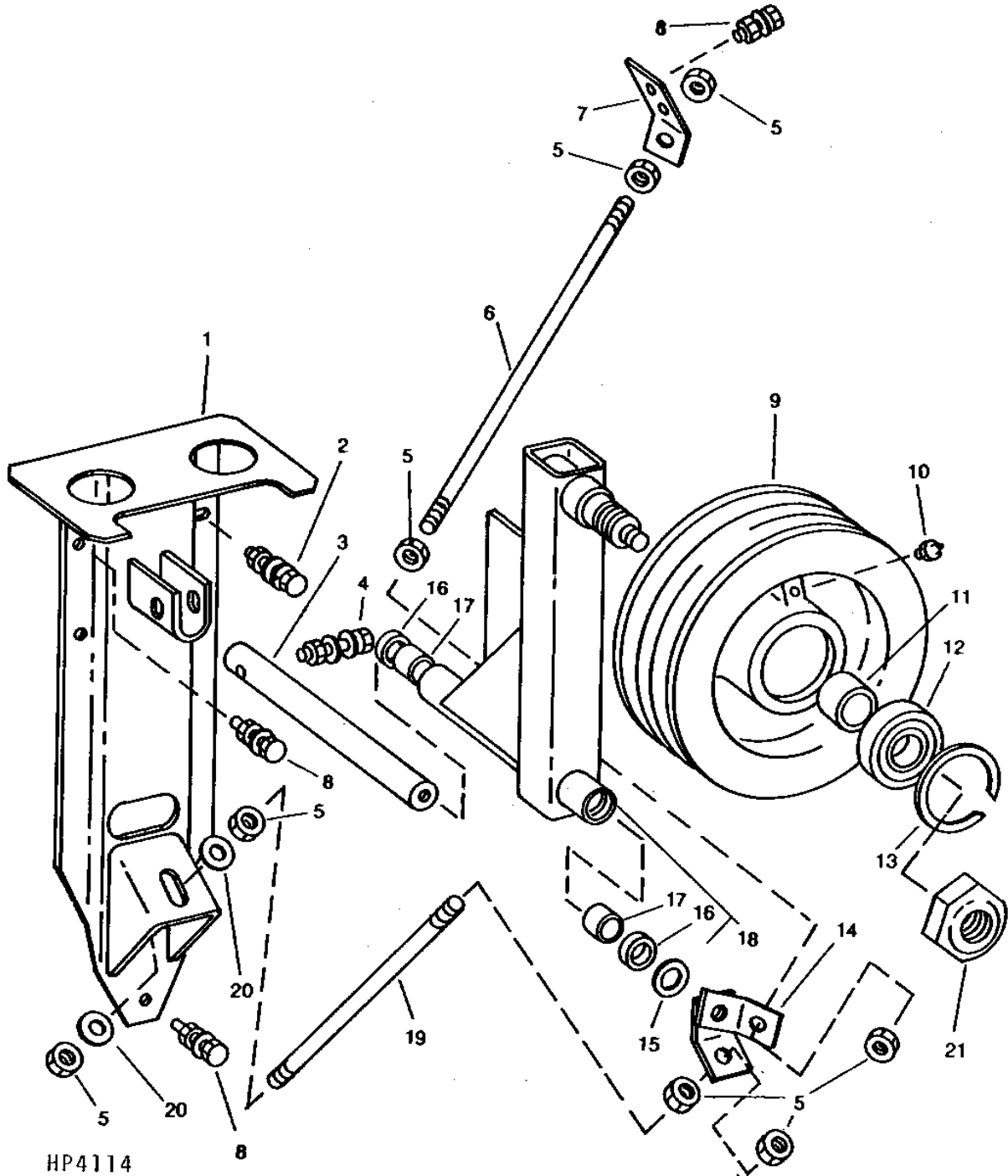
KEY	PART NO.	PART NAME	QTY	SERIAL NO.	REMARKS
1	19H1840	CAP SCREW	12		1/2" X 5-1/2"
	12H301	LOCK WASHER	12		1/2"
	14H809	NUT	12		1/2", (SUB 14H1040)
	14H1040	NUT	12		1/2"
2	AH200528	PLATE	1		
3	AH200527	SUPPORT	1		

2G9

FC: 5835

SEPARATOR

CHOPPER DRIVE IDLER
HP4114 -UN-01JAN94



HP4114

2G10

FC: 5835

SEPARATOR

CHOPPER DRIVE IDLER - CONTINUED

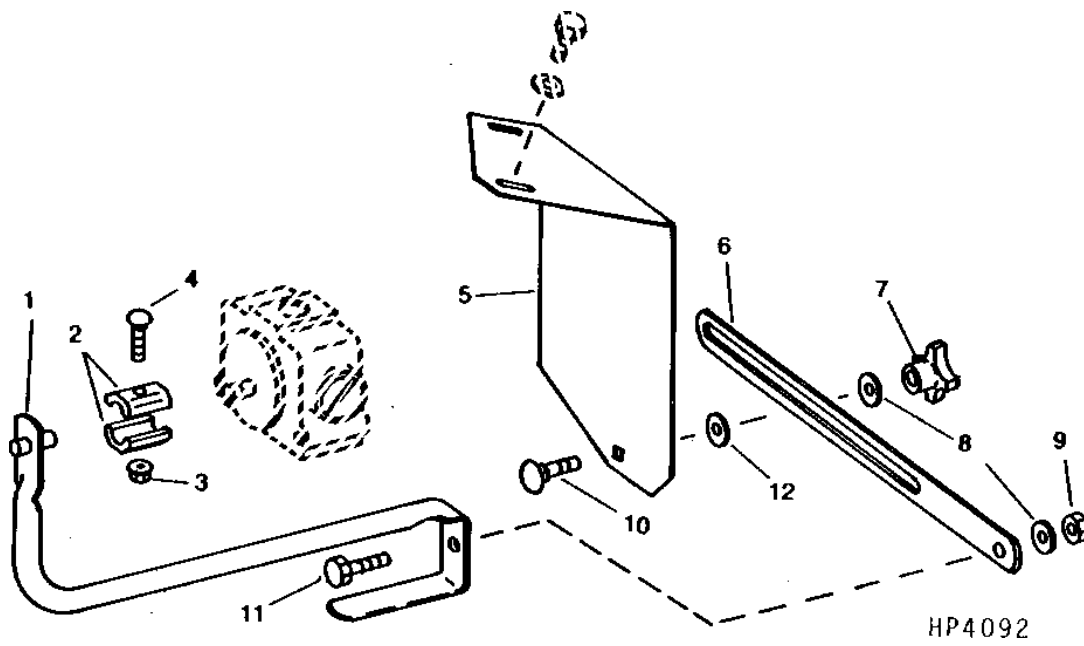
KEY	PART NO.	PART NAME	QTY	SERIAL NO.	REMARKS
1	AH200238	BASE	1		
2	19H1905	CAP SCREW	2	5/16" X 1"	
	24H1136	WASHER	2	11/32" X 11/16" X 0.065"	
	12H303	LOCK WASHER	2	5/16"	
	14H785	NUT	2	5/16"	
3	AH200231	PIN	1		
4	19H1801	CAP SCREW	1	3/8" X 2"	
	24H1305	WASHER	2	13/32" X 13/16" X 0.065"	
	K40003	LOCK NUT	1	9.525 MM (3/8")	
5	14H760	NUT	8	5/8"	
6	AH200234	STUD	1		
7	AH200205	SUPPORT	1		
8	19H1905	CAP SCREW	5	5/16" X 1"	
	12H303	LOCK WASHER	5	5/16"	
	14H785	NUT	5	5/16"	
9	AH200135	SHEAVE	1		
10	JD7798	LUBRICATION FITTING	1		
11	AH200232	SPACER	1		
12	AH200136	BALL BEARING	2		
13	40M7044	SNAP RING	2		
14	AH200239	BRACKET	1		
15	24M7091	WASHER	4	26 X 44 X 4 MM	
16	AA5607R	SEAL	2		
17	H99147	BUSHING	2		
18	AH200225	ARM	1		
19	AH200233	STUD	1		
20	24H1106	WASHER	2	11/16" X 1-3/4" X 0.134"	
21	N130666	LOCK NUT	1	25.400 MM (1") (SUB MG514101)	

2G11

FC: 5843

SEPARATOR

CHAFF SPREADER CONTROL, ROD AND KNOB
HP4092 -UN-01JAN94



2G12

FC: 5843

SEPARATOR

CHAFF SPREADER CONTROL, ROD AND KNOB - CONTINUED

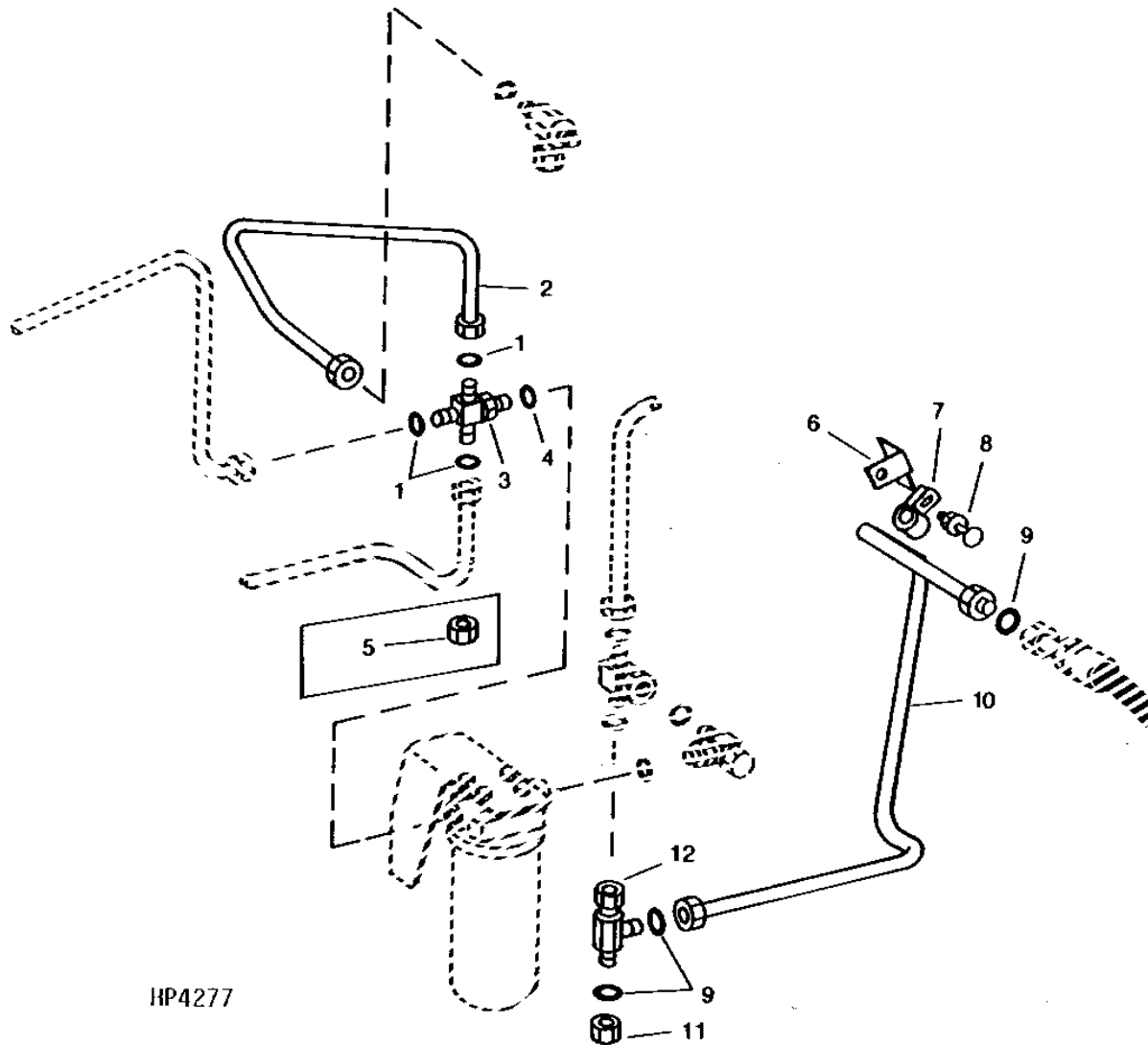
KEY	PART NO.	PART NAME	QTY	SERIAL NO.	REMARKS
1	AH200685	HANDLE	1		
2	H114020	HALF CLAMP	2		
3	14M7303	FLANGE NUT	1		
4	03M7290	BOLT	1	M6	
5	AH200684	BRACKET	1	M6 X 30	
6	AH200688	DRAWER SLIDE	1		
7	M74470	KNOB	1		
8	24H1305	WASHER	3		13/32" X 13/16" X 0.065"
9	H99923	LOCK NUT	1		9.525 MM (3/8")
10	03H1495	BOLT	1		3/8" X 1-1/2"
11	19H1936	CAP SCREW	1		3/8" X 3/4"
12	24H1111	WASHER	1		17/32" X 1-1/16" X 0.090"

2G13

FC: 5843

SEPARATOR

CHAFF SPREADER LINES AND FITTINGS
HP4277 -UN-01JAN94



2G14

FC: 5843

SEPARATOR

CHAFF SPREADER LINES AND FITTINGS - CONTINUED

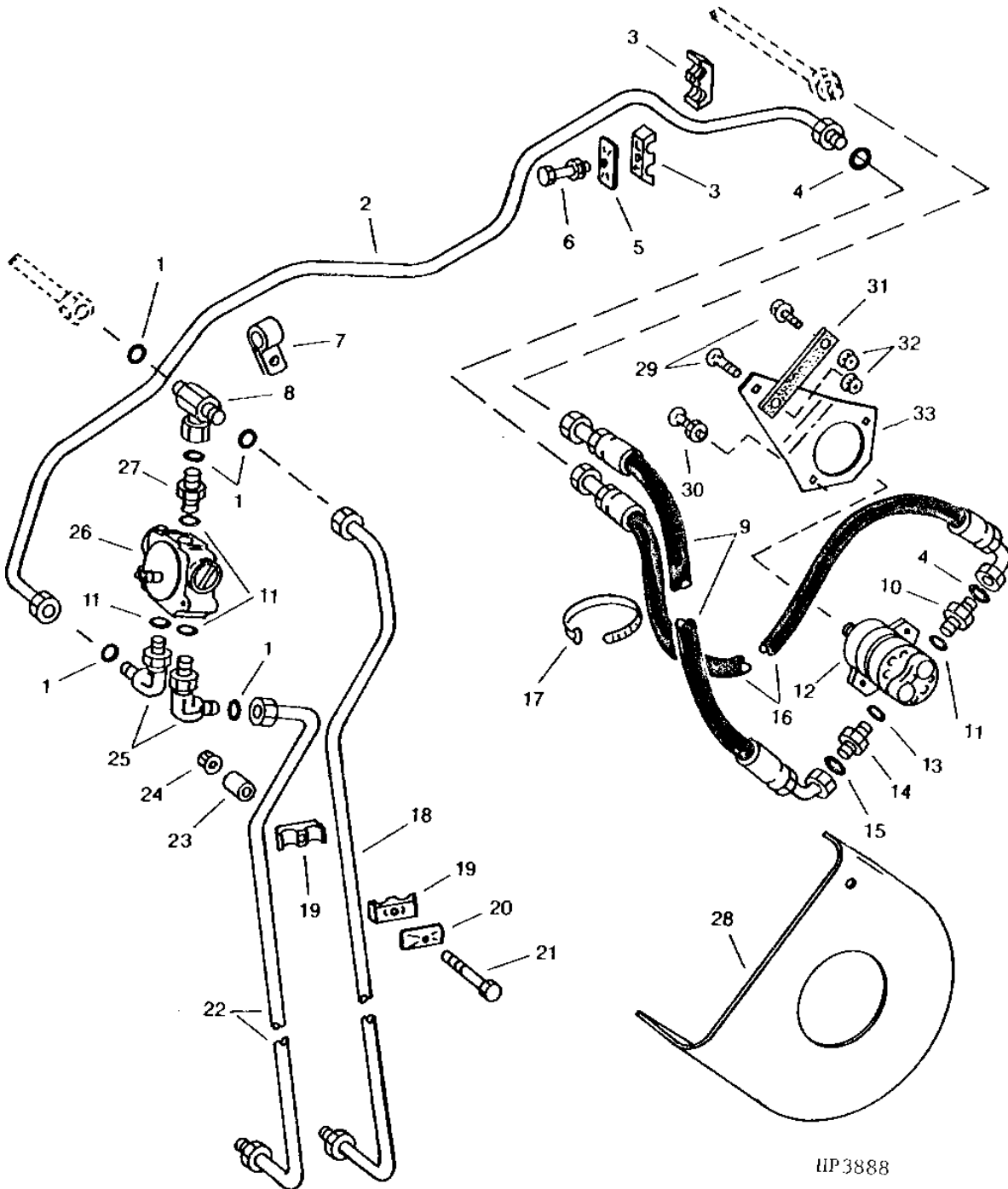
KEY	PART NO.	PART NAME	QTY	SERIAL NO.	REMARKS
1	T77858	O-RING	5		
2	AH133759	OIL LINE	1		
3	AH132031	FITTING	1		
4	R29936	O-RING	1		
5	38H1418	FITTING PLUG	1		
6	H139964	BRACKET	1		
7	AH83545	CLIP	1		
8	03M7183	BOLT	1		M8 X 16
	14M7298	FLANGE NUT	1		M8
9	T76938	O-RING	3		
10	AH133770	LINE	1		
11	38H1419	FITTING PLUG	1		
12	38H1467	TEE FITTING	1		

2G15

FC: 5843

SEPARATOR

CHAFF SPREADER LINES, HOSES, VALVE AND PUMP
HP3888 -UN-01JAN94



2G16

FC: 5843

SEPARATOR

CHAFF SPREADER LINES, HOSES, VALVE AND PUMP - CONTINUED

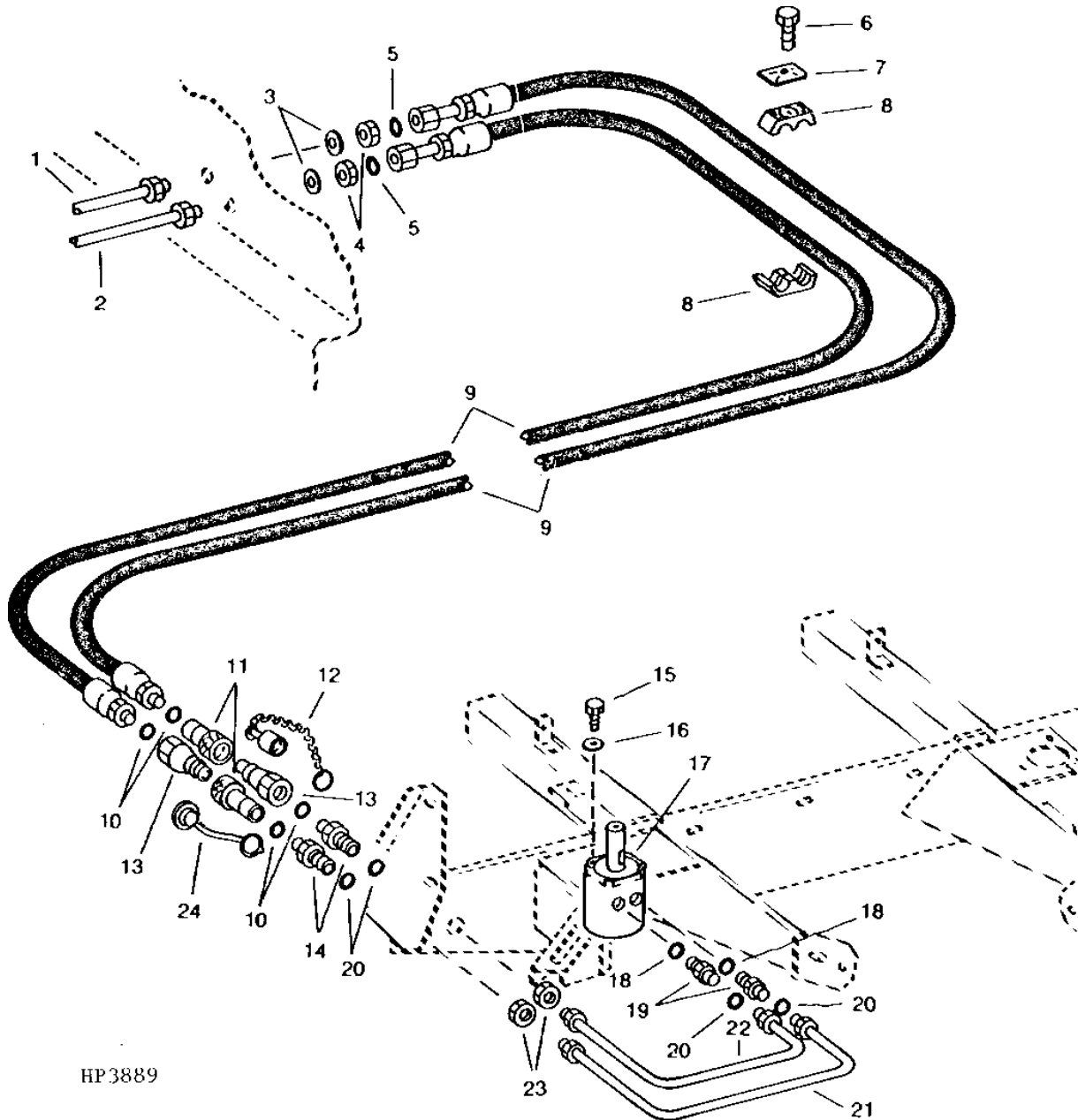
KEY	PART NO.	PART NAME	QTY	SERIAL NO.	REMARKS
1	T77932	O-RING	1		
2	AH133758	OIL LINE	1		
3	H120362	CLAMP	2		
4	T77857	O-RING	2		
5	H112567	PLATE	1		
6	19M7801	SCREW	1		M8 X 60
	14M7298	FLANGE NUT	1		M8
7	T27523	CLAMP	1		
8	38H1040	TEE FITTING	1		
9	AH132200	HYDRAULIC HOSE	1		1-3/16" X 975 MM (38-1/2") X 1-3/16", (SUCTION)
10	38H1174	ADAPTER	1		
11	R26906	O-RING	1		
12	AH134555	PUMP	1		
13	R29936	O-RING	1		
14	38H1194	ADAPTER	1		
15	T77858	O-RING	1		
16	AH132201	HYDRAULIC HOSE	1		13/16" X 980 MM (38-1/2") X 13/16", (PRESSURE)
17	H77698	TIE BAND	1		
18	AH133949	OIL LINE	1		
19	H120847	CLAMP	2		
20	H121168	PLATE	1		
21	19M7873	SCREW	1		M8 X 110
22	AH133948	OIL LINE	1		
23	L3483N	BUSHING	1		
24	14M7298	FLANGE NUT	1		M8
25	38H1006	ELBOW FITTING	2		
26	AH136202	CHECK VALVE	1	-645400	(SUB AH140902)
	AH140902	CHECK VALVE	1		
27	38H1162	ADAPTER	1		
28	H137603	SHIELD	1		
29	19M7867	SCREW	2		M8 X 25
30	03M7186	BOLT	1		
	14M7298	FLANGE NUT	2		M8
31	H78340	STRAP	1		
32	14M7298	FLANGE NUT	2		M8
33	H137602	ARM	1		

2G17

FC: 5912

SEPARATOR

CHAFF SPREADER HOSES, LINES AND MOTOR
HP3889 -UN-01JAN94



HP3889

2G18

FC: 5843

SEPARATOR

CHAFF SPREADER HOSES, LINES AND MOTOR - CONTINUED

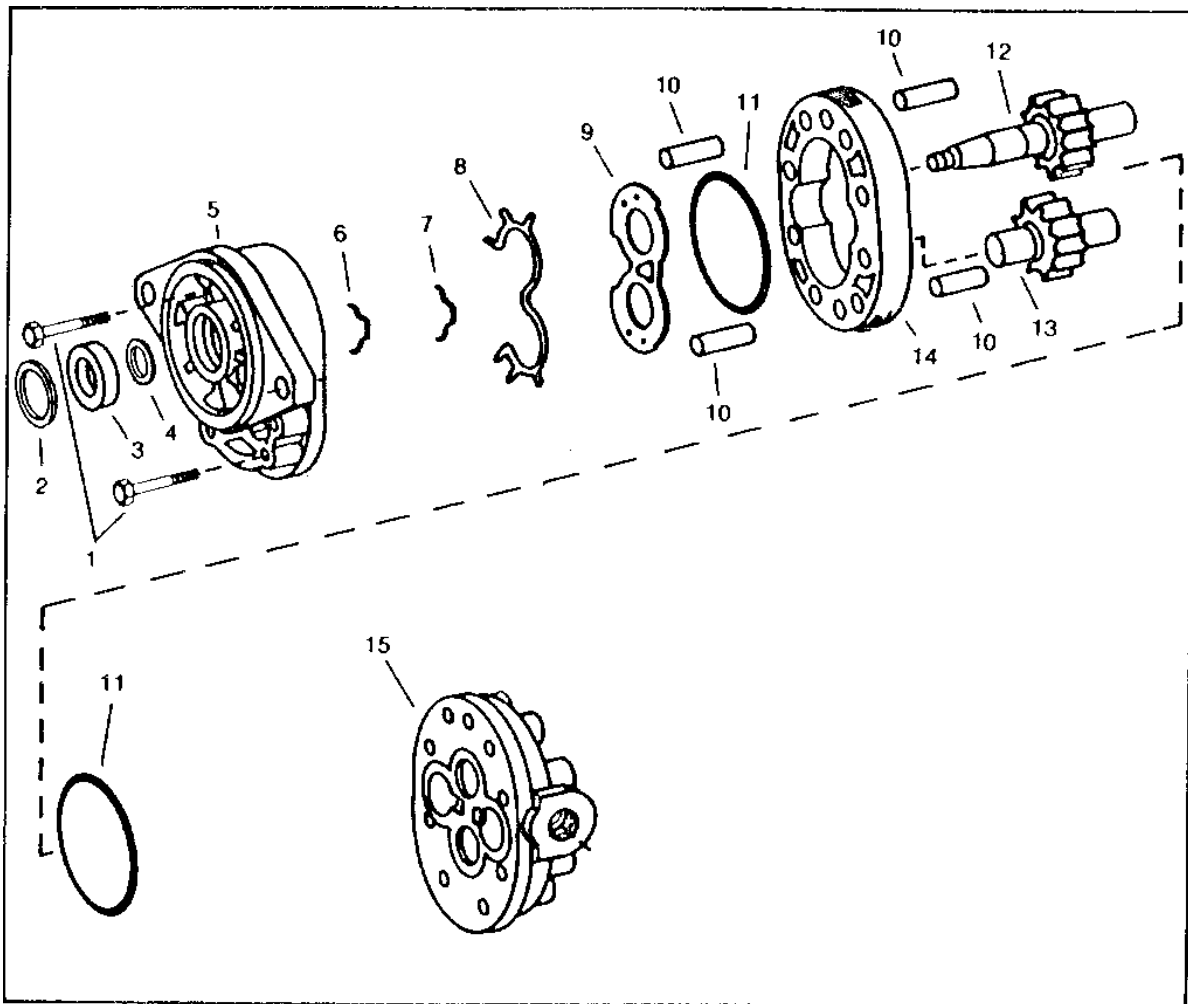
KEY	PART NO.	PART NAME	QTY	SERIAL NO.	REMARKS
1	AH133948	OIL LINE	1		
2	AH133949	OIL LINE	1		
3	24M7051	WASHER	2		21 X 37 X 3 MM
4	T78716	NUT	2		
5	T77857	O-RING	2		
6	19M8039	SCREW	1		M8 X 80
7	H112567	PLATE	1		
8	H122772	CLAMP	2		
9	AH133950	HYDRAULIC HOSE	2		
10	R26375	O-RING	2		
11	AH75167	HYD. QUICK-CONNECT COUPLER	2		
12	A15898	CAP	1		
13	AR94522	INTERNAL HALF COUPLER	2		
14	H137729	FITTING	2		
15	19H1936	CAP SCREW	4		
16	12H304	LOCK WASHER	4		3/8"
17	AH133196	MOTOR	1		
18	R26906	O-RING	2		
19	38H1162	ADAPTER	2		
20	T77932	O-RING	2		
21	AH134680	OIL LINE	1		
22	AH134679	OIL LINE	1		
23	T80306	NUT	2		
24	H125403	PLUG	1		

2G19

FC: 5912

SEPARATOR

CHAFF SPREADER PUMP
HP3881 -UN-01JAN94



HP3881

16

2G20

FC: 5912

SEPARATOR

CHAFF SPREADER PUMP - CONTINUED

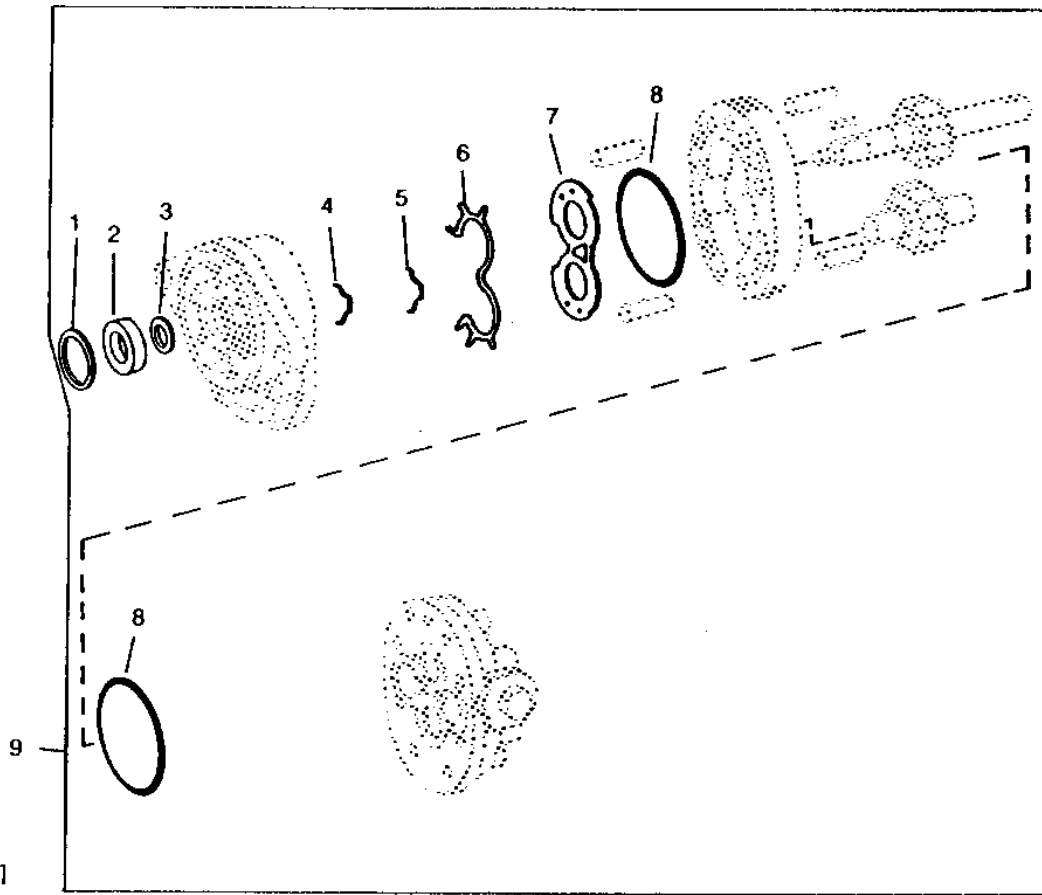
KEY	PART NO.	PART NAME	QTY	SERIAL NO.	REMARKS
1	E61791	BOLT	8		7.925 X 69.850 MM (5/16" X 2-3/4")
2	M41029	SNAP RING	1		(KIT AH131176)
3	AH131842	SEAL	1		
4	M48869	WASHER	1		(KIT AH131176)
5	PLATE	1		(SUB AH134555)
6	SEAL	1		(KIT AH131176)
7	GASKET	1		(KIT AH131176)
8	GASKET	1		(KIT AH131176)
9	WEAR PLATE	1		(KIT AH131176)
10	H116213	DOWEL PIN	4		
11	H80821	O-RING	2		(KIT AH131176)
12	AH134554	GEAR	1		
13	GEAR	1		(SUB AH134555)
14	HOUSING	1		(SUB AH134555)
15	PLATE	1		(SUB AH134555)
16	AH134555	PUMP	1		REMANUFACTURED (CESSNA NO. R25305 - RAL)
..	AH131176	SEAL KIT	1		

2G21

FC: 5912

SEPARATOR

CHAFF SPREADER PUMP SEAL KIT
HP2951 -UN-01JAN94



HP2951

2G22

FC: 5912

SEPARATOR

CHAFF SPREADER PUMP SEAL KIT - CONTINUED

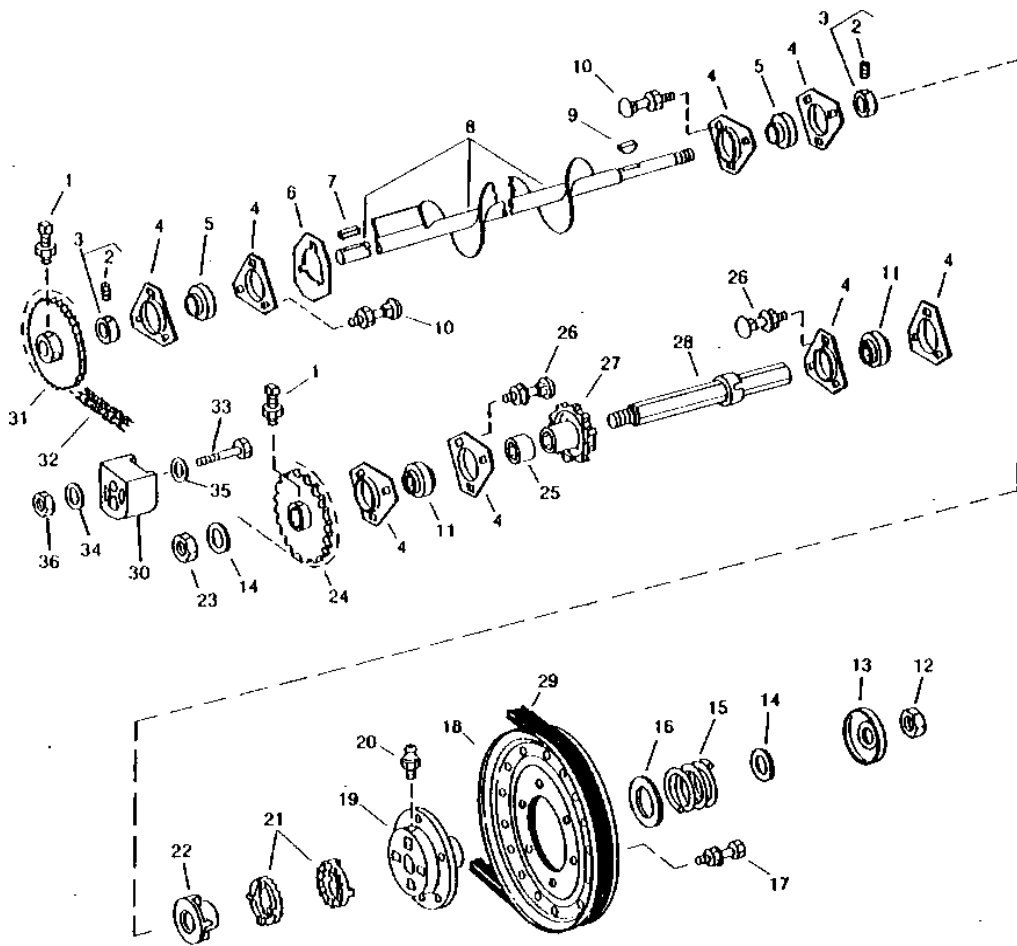
KEY	PART NO.	PART NAME	QTY	SERIAL NO.	REMARKS
1	M41029	SNAP RING	1		
2	AH131842	SEAL	1		
3	M48869	WASHER	1		
4	SEAL	1	(KIT AH131176)	
5	GASKET	1	(KIT AH131176)	
6	GASKET	1	(KIT AH131176)	
7	WEAR PLATE	1	(KIT AH131176)	
8	H80821	O-RING	2		
9	AH131176	SEAL KIT	1		

2G23

FC: 5514

SEPARATOR

LOWER TAILINGS AUGER, SHAFT AND TIGHTENER
HP5817 -UN-01JAN94



HP5817

2G24

FC: 5514

SEPARATOR

LOWER TAILINGS AUGER, SHAFT AND TIGHTENER - CONTINUED

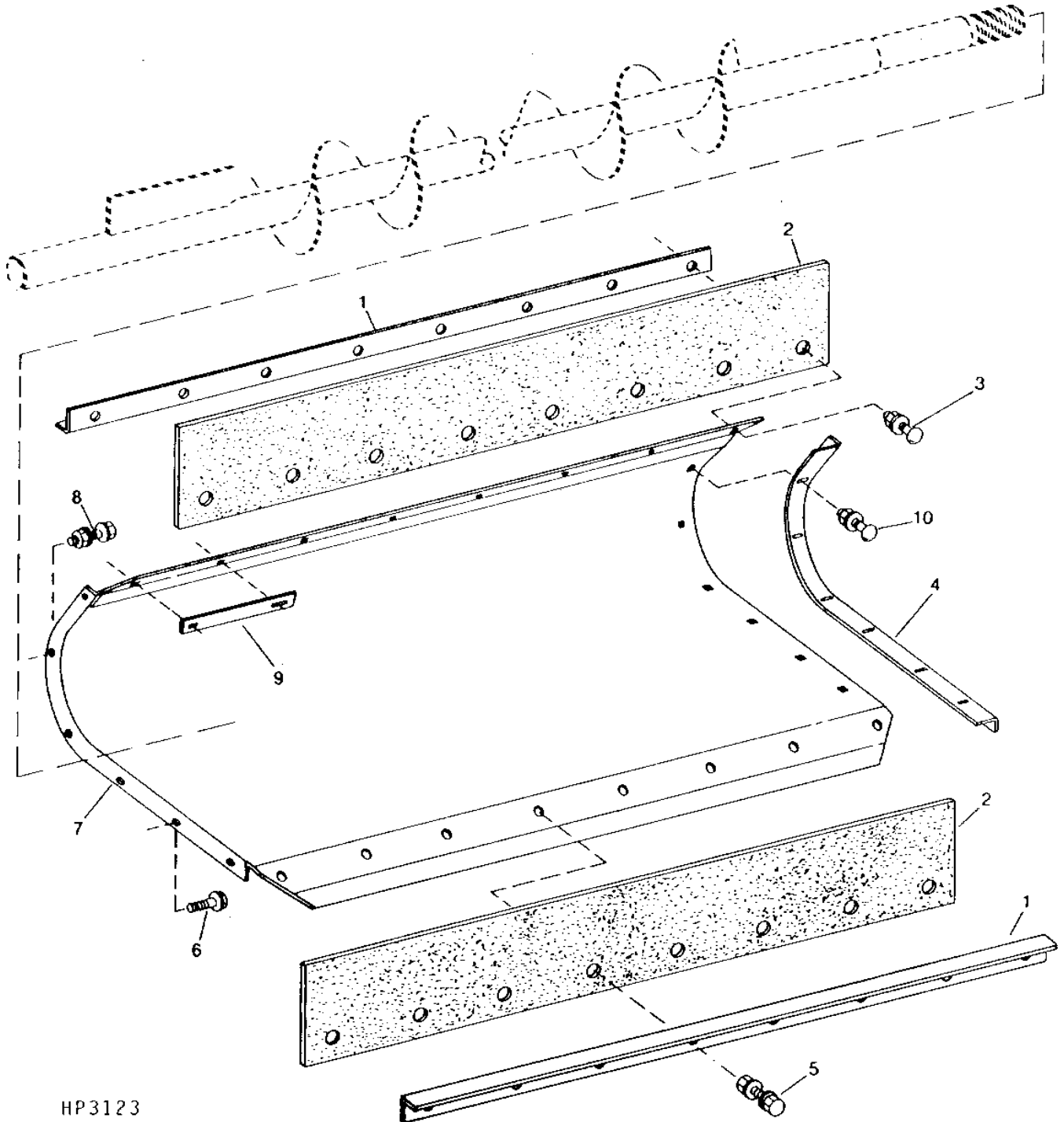
KEY	PART NO.	PART NAME	QTY	SERIAL NO. OR YEAR	REMARKS
1	H138435	SET SCREW	AR		
	14M7274	NUT	AR	M10	
2	22M7080	SET SCREW	2		M8 X 8
3	AZ10045	ECCENTRIC LOCKING COLLAR	2		
4	E10018	PRESSED FLANGED HOUSING	AR		
5	JD39103	BALL BEARING	2		
6	H132906	PLATE	1		
7	SHAFT KEY	1		8 X 7 X 40 MM (IN AH141142 KEY STOCK KIT) (CUT FROM H150269)
8	AH126206	AUGER	1	-MAR94	(SUB AH140213) LOWER
	AH140213	AUGER	1		
9	26H19	SHAFT KEY	1	-MAR94	1/4" X 7/8", (SUB 26H82)
	26H82	SHAFT KEY	1		
10	03M7191	BOLT	AR		M10 X 25
	14M7296	FLANGE NUT	AR		M10
11	JD9313	BALL BEARING	2		
12	14M7300	FLANGE NUT	1		M20
13	AH126677	NUT	1		
14	24M7051	WASHER	2		21 X 37 X 3 MM
15	J21022	SPRING	1		
16	24M7176	WASHER	1		56 X 72 X 3 MM
17	19M7867	SCREW	AR		M8 X 25
	14M7298	FLANGE NUT	AR		M8
18	AH126388	SHEAVE	1		270 MM (10-1/2") DIA.
19	H97574	HUB	1		
20	JD7797	LUBRICATION FITTING	1		1/4" STRAIGHT
21	H128265	SLIP CLUTCH	2		
22	H85015	HUB	1		
23	14M7428	LOCK NUT	1	-FEB92	M20, (SUB A31870)
	A31870	LOCK NUT	1		
24	AH130572	CHAIN SPROCKET	1		18-TOOTH
25	H134605	SPACER	1		
26	03M7190	BOLT	AR		M10 X 20
	14M7296	FLANGE NUT	AR		M10
27	H134603	CHAIN SPROCKET	1		8-TOOTH
28	AH130570	SHAFT	1		LOWER CONVEYOR
29	N110085	BELT	1		
30	H136582	TIGHTENER	1		
31	AH121047	CHAIN SPROCKET	1		18-TOOTH
32	ROLLER CHAIN	1		ROLLER, TYPE 50, 16 MM (5/8") PITCH, 43 LINKS , (ASSEMBLE FROM AH18482 OR AP22459, (1) P20351 AND (1) P20352)
33	03M7245	BOLT	1		M8 X 55
34	24M7207	WASHER	1	MAR94-	8.400 X 24 X 2 MM (0.331" X 0.945" X 0.079")
35	H75716	LOCK WASHER	1	MAR94-	13.233 MM (0.521")
36	14M7298	FLANGE NUT	1		M8

2H1

FC: 5514

SEPARATOR

LOWER TAILINGS AUGER TROUGH
HP3123 -UN-01JAN94



HP3123

2H2

FC: 5514

SEPARATOR

LOWER TAILINGS AUGER TROUGH - CONTINUED

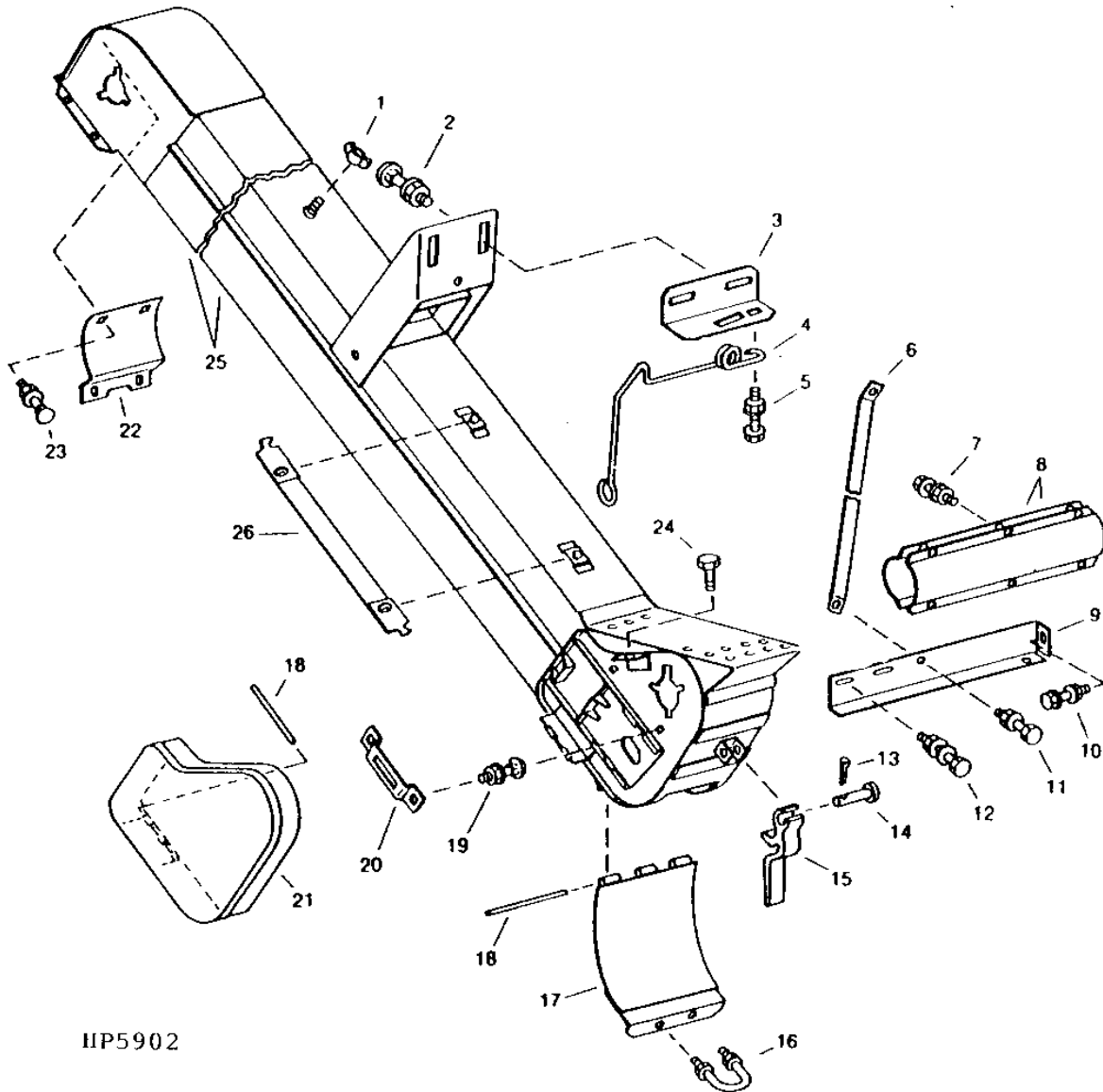
KEY	PART NO.	PART NAME	QTY	SERIAL NO. OR YEAR	REMARKS
1	H134308	REINFORCEMENT	2		
2	H134314	STRAP	2		
3	03M7184	BOLT	AR	M8 X 20	
	14M7298	FLANGE NUT	AR	M8	
4	H134317	SUPPORT	1		
5	19M7865	SCREW	AR	M8 X 16	
	14M7298	FLANGE NUT	AR	M8	
6	19M7866	SCREW	2	M8 X 20	
7	AH131741	TROUGH	1	(SUB AH138655)	
8	19M7866	SCREW	4	M8 X 20	
	14M7298	FLANGE NUT	4	M8	
9	H137585	STRAP	1		
10	03M7183	BOLT	AR	M8 X 16	
	14M7298	FLANGE NUT	AR	M8	

2H3

FC: 5515

SEPARATOR

TAILINGS ELEVATOR HOUSING
HP5902 -UN-29NOV94



HP5902

2H4

FC: 5515

SEPARATOR

TAILINGS ELEVATOR HOUSING - CONTINUED

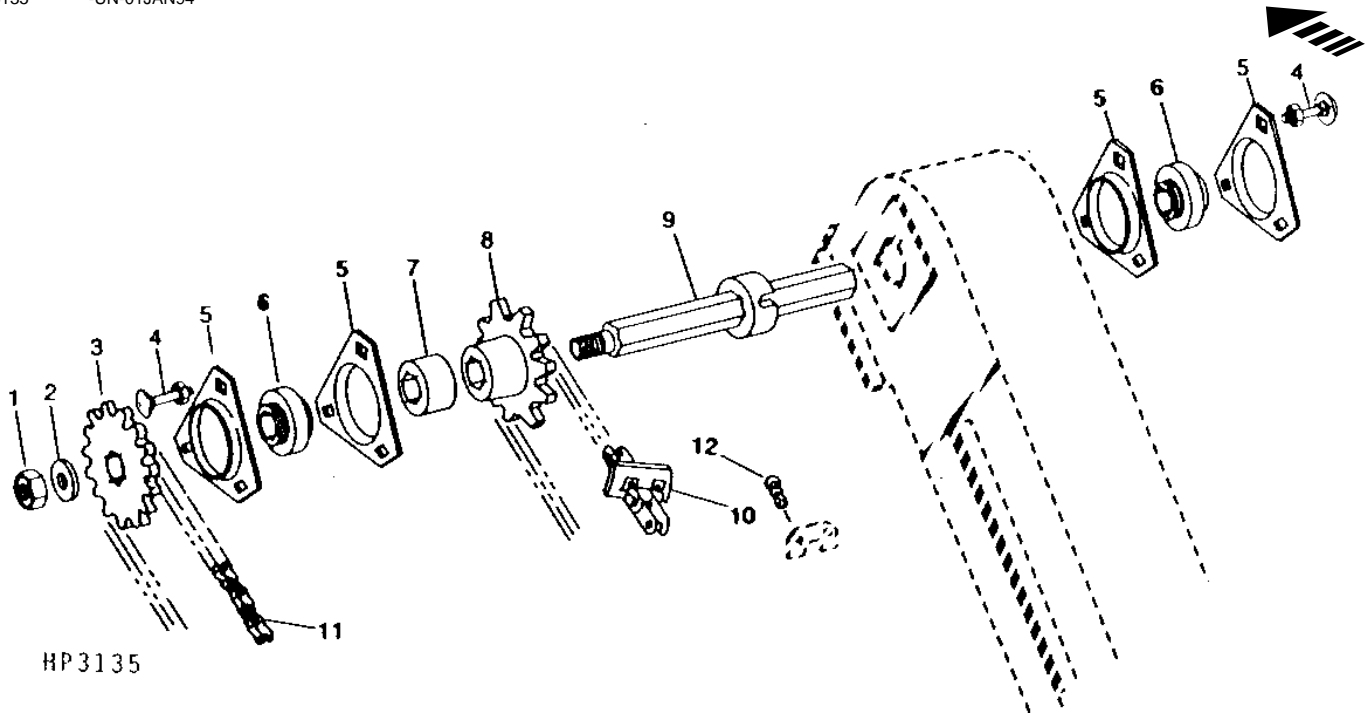
KEY	PART NO.	PART NAME	QTY	SERIAL NO. OR YEAR	REMARKS
1	14M7020	WING NUT	1	M8	
2	03M7190	BOLT	2	M10 X 20	
	14M7296	FLANGE NUT	2	M10	
3	H132708	BRACKET	1		
4	H130930	SPRING	1		
5	19M7784	SCREW	1	M10 X 20	
	14M7296	FLANGE NUT	1	M10	
6	H136047	SUPPORT	1		
7	19M7868	SCREW	AR	M8 X 30	
	14M7298	FLANGE NUT	AR	M8	
8	H136054	HOUSING	2	SOLID	
	H136055	HOUSING	2	PERFORATED	
9	H130667	SUPPORT	1	ELEVATOR	
10	19M7785	SCREW	2	M10 X 25	
	14M7296	FLANGE NUT	2	M10	
11	19M7865	SCREW	1	M8 X 16	
	14M7298	FLANGE NUT	1	M8	
12	19M7785	SCREW	2	M10 X 25	
	24M7178	WASHER	2	10.500 X 30 X 2.500 MM	
	14M7296	FLANGE NUT	2	M10	
13	11M7081	COTTER PIN	1	2.500 X 20 MM	
14	RV810A	PIN	1	DRILLED	
15	H101297	LEVER	1		
16	H105519	U-BOLT	1		
	24M7139	WASHER	2	6.400 X 18 X 1.600 MM	
	14M7397	LOCK NUT	2	M6	
17	AH130892	DOOR	1	SOLID	
	AH130893	DOOR	1	PERFORATED	
18	H75985	DOWEL PIN	2	(6.88 IN.) NO LONGER AVAILABLE (MAKE FROM H76083)	
19	03M7184	BOLT	2	M8 X 20	
	14M7298	FLANGE NUT	2	M8	
20	H130661	BRACKET	1		
21	AH130886	SHIELD	1		
22	H134826	DEFLECTOR	1		
23	03M7183	BOLT	2	M8 X 16	
	14M7298	FLANGE NUT	2	M8	
24	19M7865	SCREW	1	M8 X 16	
25	AH137288	ELEVATOR	1	(SUB AH136239)	
26	AH131213	HANDLE	1	(SUB H149997)	

2H5

FC: 5515

SEPARATOR

TAILINGS ELEVATOR CONVEYOR CHAIN, SPROCKETS AND BEARINGS
 HP3135 -UN-01JAN94



HP3135

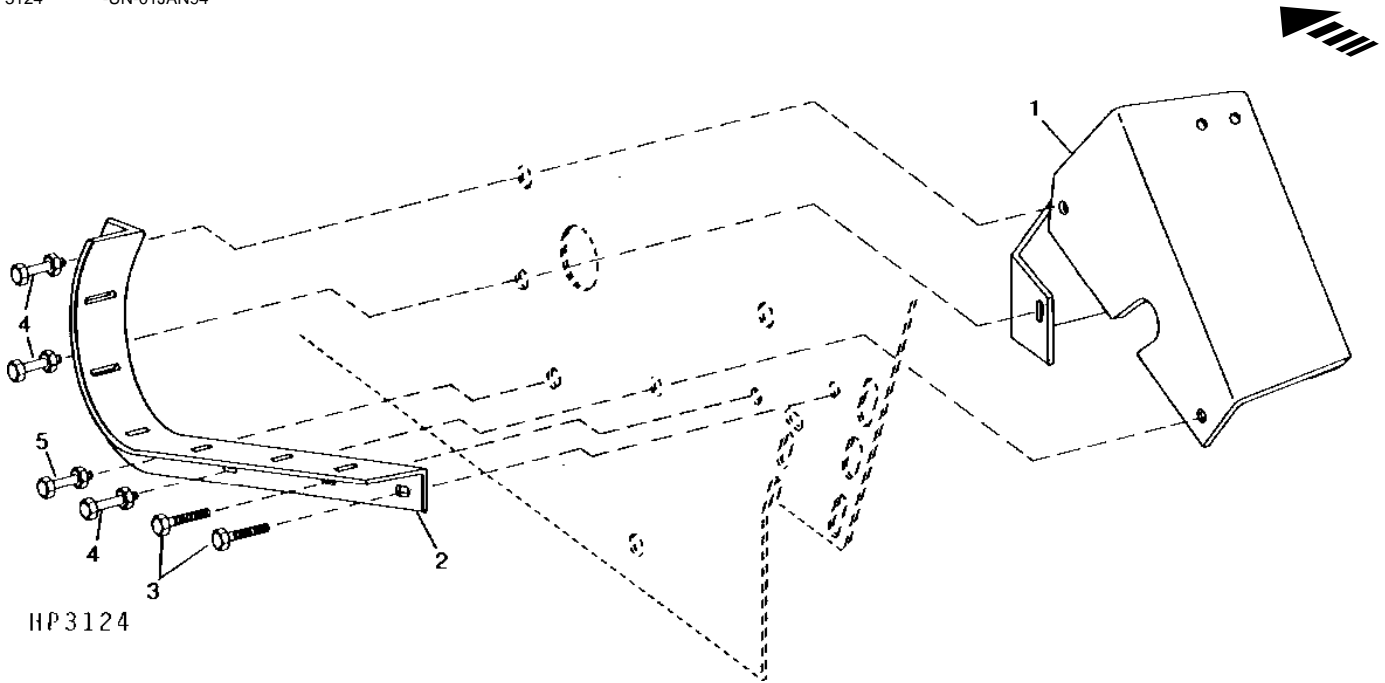
KEY	PART NO.	PART NAME	QTY	SERIAL NO. OR YEAR	REMARKS
1	14M7277	NUT	1	M20	
2	24M7277	WASHER	1	21 X 60 X 4 MM	
3	AH130571	CHAIN SPROCKET	1	30 TOOTH, DRIVE	
4	03M7190	BOLT	AR	M10 X 20	
	14M7296	FLANGE NUT	AR	M10	
5	E10018	PRESSED FLANGED HOUSING	4		
6	JD9313	BALL BEARING	2		
7	H134606	SPACER	1		
8	H134603	CHAIN SPROCKET	1	8 TOOTH (CONVEYOR)	
9	AH130570	SHAFT	1	UPPER CONVEYOR	
10	AH131074	LINK CHAIN	1	CA550 ROLLER CHAIN (25 PADDLES)	
	C10232	LINK	1	ROLLER	
	C10233	CHAIN LINK	1	(SUB AH137631) OFFSET	
	AC11779	PIN	1		
	C10263	TRACK CHAIN	1	(SUB AH137630) COUPLER	
	AC14974	PIN	1		
	H135235	PADDLE	25	RUBBER	
	H86760	PADDLE	1	STEEL CLEANING	
	RIVET	50	(SUB AH86897)	
	AH87765	CHAIN LINK	25		
11	ROLLER CHAIN	1	ROLLER, TYPE 50, 16MM (5/8") PITCH, 124 LINKS , (ASSEMBLE FROM AH18482 OR AP2245 AND (1) P20351)	
12	AH86897	BOLT	AR	(REPLACES RIVETS) (INCLUDES (1) H85934, (1) 12H302 AND (1) 14H786)	

2H6

FC: 5514

SEPARATOR

LOWER TROUGH SUPPORT AND TAILINGS DRIVE BRACKET
HP3124 -UN-01JAN94



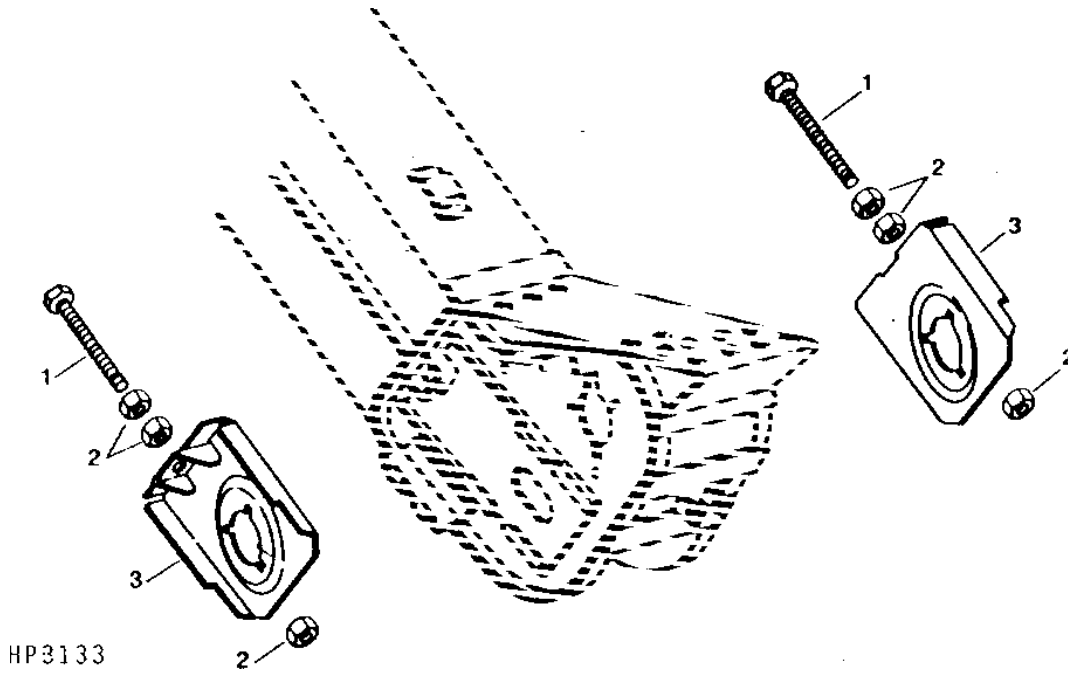
KEY	PART NO.	PART NAME	QTY	SERIAL NO.	REMARKS
1	AH131080	BRACKET	1		
2	H134317	SUPPORT	1		
3	19M7866	SCREW	2	M8 X 20	
4	19M7867	SCREW	3	M8 X 25	
	14M7298	FLANGE NUT	3	M8	
5	19M7866	SCREW	1	M8 X 20	
	14M7298	FLANGE NUT	1	M8	

2H7

FC: 5515

SEPARATOR

LOWER TAILINGS AUGER CHAIN TIGHTENER
HP3133 -UN-01JAN94



HP3133

KEY	PART NO.	PART NAME	QTY	SERIAL NO. OR YEAR	REMARKS
1	19M7596	CAP SCREW	2	M16 X 160	
2	14M7276	NUT	6	M16	
3	AH130884	BRACKET	2		

FC: 0000

SEPARATOR

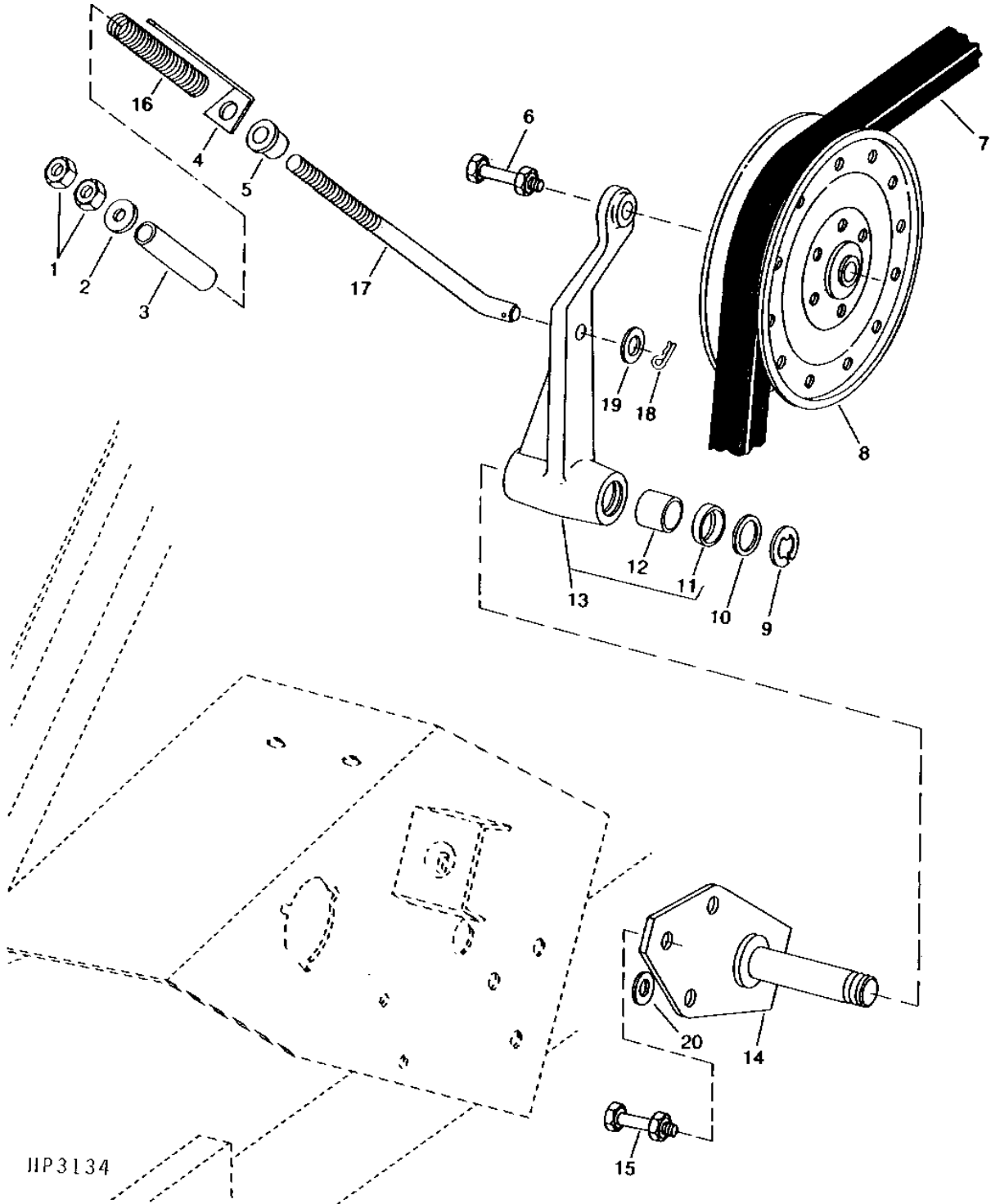
MEMORANDA

2H8

FC: 5535

SEPARATOR

LOWER TAILINGS AUGER DRIVE TIGHTENER
HP3134 -UN-01JAN94



HP3134

2H9

FC: 5535

SEPARATOR

LOWER TAILINGS AUGER DRIVE TIGHTENER - CONTINUED

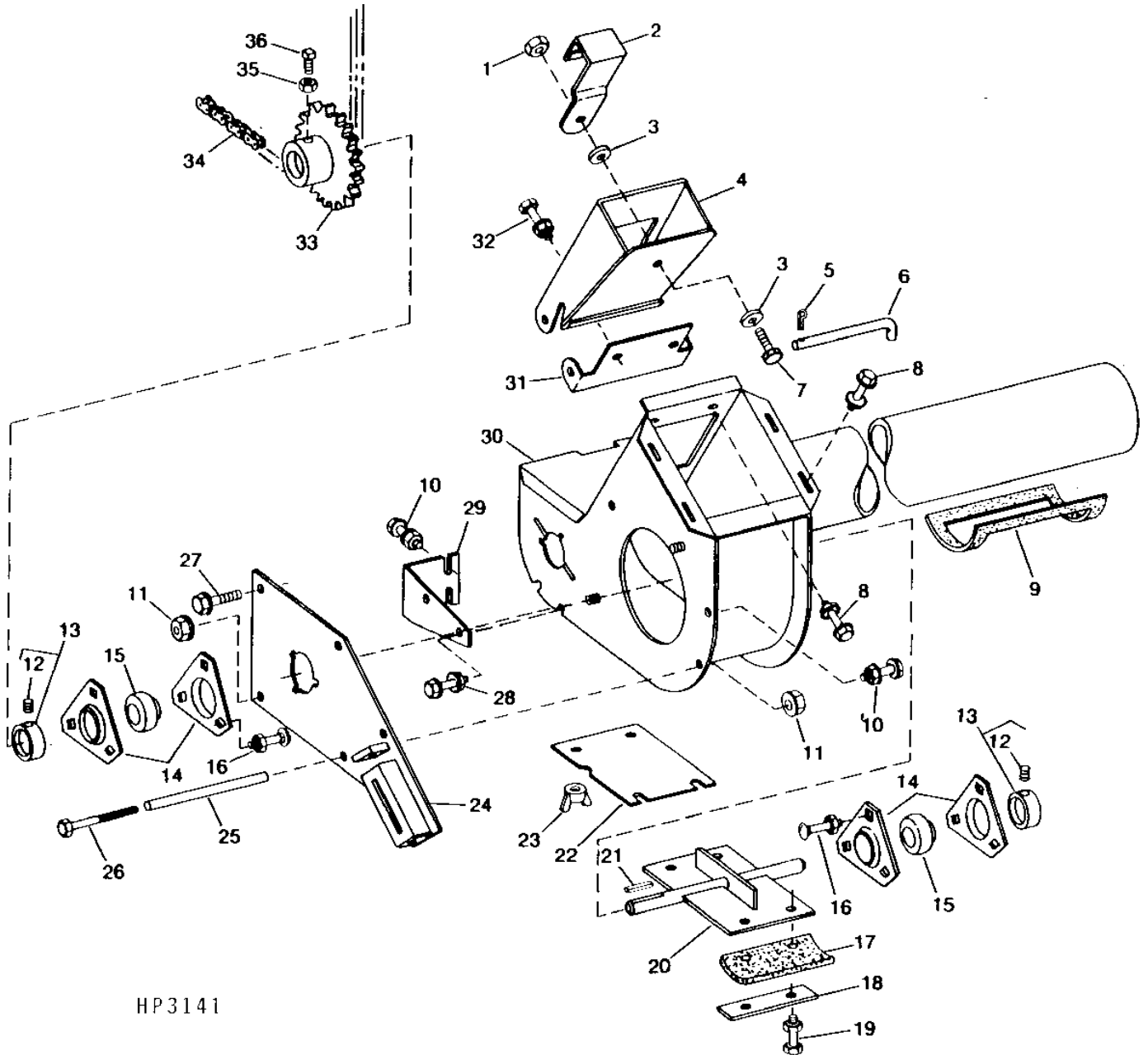
KEY	PART NO.	PART NAME	QTY	SERIAL NO. OR YEAR	REMARKS
1	14M7275	NUT	2	M12	
2	24M7180	WASHER	1		13 X 37 X 3 MM
3	H116161	HOSE	1		70 MM LONG, NO LONGER AVAILABLE (MAKE FROM TY22326 BULK HOSE)
4	H127872	GAUGE	1		
5	H129207	PIVOT	1		
6	19M7824	SCREW	1	M16 X 60	
	14M7291	FLANGE NUT	1	M16	
7	N110085	BELT	1		
8	AH85276	PULLEY	1		
9	P46402	SNAP RING	1		
10	24M7091	WASHER	1		26 X 44 X 4 MM
11	AA5607R	SEAL	2		
12	H99147	BUSHING	2		
13	AH126865	ARM	1		ELEVATOR DRIVE
14	AH109197	PIN	1		
15	19M7785	SCREW	3	M10 X 25	
	14M7296	FLANGE NUT	3	M10	
16	H26552	SPRING	1		
17	H118948	HOOK BOLT	1		IDLER
18	11M7021	COTTER PIN	1		4 X 25 MM
19	24M7047	WASHER	1		13 X 24 X 2.500 MM
20	24M7178	WASHER	AR		10.500 X 30 X 2.500 MM, (USE AS NEEDED IF REALIGNMENT IS NECESSARY)

2H10

FC: 5516

SEPARATOR

UPPER TAILINGS AUGER HOUSING AND PADDLE ASSEMBLY
HP3141 -UN-01JAN94



HP3141

2H11

FC: 5516

SEPARATOR

UPPER TAILINGS AUGER HOUSING AND PADDLE ASSEMBLY - CONTINUED

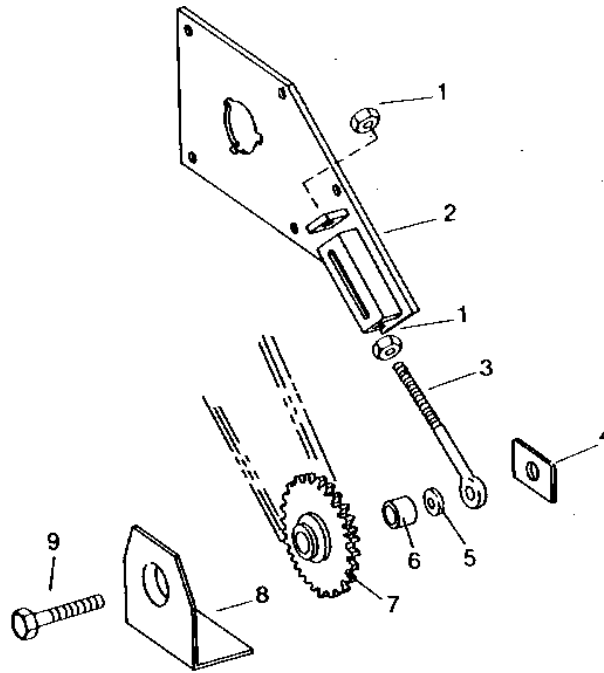
KEY	PART NO.	PART NAME	QTY	SERIAL NO. OR YEAR	REMARKS
1	14M7397	LOCK NUT	1	M6	
2	H133541	LATCH	1		
3	24M7139	WASHER	2	6.400 X 18 X 1.600 MM	
4	AH130136	DOOR	1		
5	J16931	SPRING LOCKING PIN	1		
6	H134068	PIN	1		
7	19M7775	SCREW	1	M6 X 16	
8	19M7865	SCREW	AR	M8 X 16	
	14M7298	FLANGE NUT	AR	M8	
9	H126828	SEAL	1		
10	19M7866	SCREW	3	M8 X 20	
	14M7298	FLANGE NUT	3	M8	
11	14M7298	FLANGE NUT	3	M8	
12	22M7080	SET SCREW	2	M8 X 8	
13	AZ10045	ECCENTRIC LOCKING COLLAR	2		
14	E10018	PRESSED FLANGED HOUSING	AR		
15	JD39103	BALL BEARING	2		
16	03M7191	BOLT	AR	M10 X 25	
	14M7296	FLANGE NUT	AR		
17	H131639	PADDLE	2	RUBBER	
18	H131638	PLATE	2		
19	19M7868	SCREW	AR	M8 X 30	
	14M7396	LOCK NUT	AR	M8	
20	AH128663	PADDLE	1		
21	SHAFT KEY	AR	8 X 7 X 40 MM (IN AH141142 KEY STOCK KIT) (CUT FROM H150269)	
22	H135309	COVER	1	CLEAN OUT	
23	14M7020	WING NUT	AR	M8	
24	AH128664	SUPPORT	1	IDLER	
25	28H3367	BUSHING	1	-630400 0.364" X 0.540" X 4-1/8", (SUB H140467)	
	H140467	BUSHING	1		
26	19M8404	CAP SCREW	1	M8 X 130	
27	19M7864	SCREW	1	M8 X 12	
28	19M7862	SCREW	2	M6 X 20	
	14M7303	FLANGE NUT	2	M6	
29	H133686	SUPPORT	1		
30	AH131085	TUBE	1	(SUB AH137291)	
31	H134065	HINGE	1		
32	19M7865	SCREW	2	M8 X 16	
	14M7298	FLANGE NUT	2	M8	
33	AH126008	CHAIN SPROCKET	1	30 TOOTH	
34	ROLLER CHAIN	1	ROLLER, TYPE 50, 16MM (5/8") PITCH, 124 LINKS (ASSEMBLE FROM AH18422 OR AP22459 AND (1) P20351)	
35	14M7274	NUT	2	M10	
36	H138435	SET SCREW	2		
37	AH137291	TUBE	1	-635401 (SUB AH137581)	
	AH137581	TUBE	1	-SEPT93 (SUB AH141572)	
	AH141572	TUBE	1		

2H12

FC: 5516

SEPARATOR

UPPER TAILINGS DRIVE CHAIN TIGHTENER
HP3142 -UN-01JAN94



HP3142

KEY	PART NO.	PART NAME	QTY	SERIAL NO.	REMARKS
1	14H809	NUT	2	1/2", (SUB 14H1040)	
	14H1040	NUT	2	1/2"	
2	AH128664	SUPPORT	1	IDLER	
3	H130956	EYEBOLT	1		
4	H130957	NUT	1		
5	24M7047	WASHER	1	13 X 24 X 2.500 MM	
6	28H1597	WASHER	1	0.546" X 0.840" X 3/8"	
7	AH98176	CHAIN SPROCKET	1	17 TOOTH	
8	H133031	SHIELD	1		
9	19M7273	CAP SCREW	1	M12 X 60	

FC: 0000

SEPARATOR

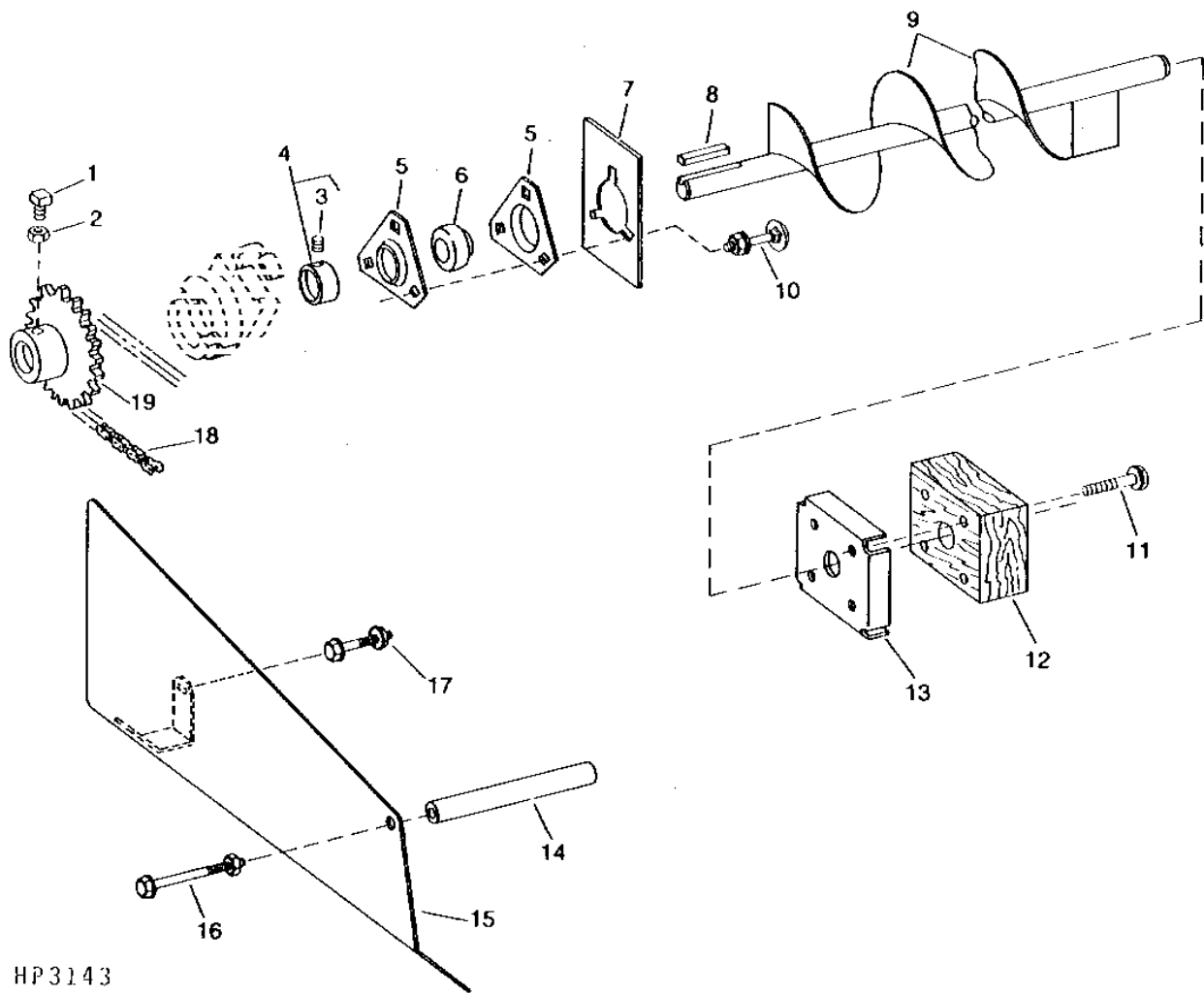
MEMORANDA

2H13

FC: 5516

SEPARATOR

UPPER TAILINGS AUGER, DRIVE AND SHIELD
HP3143 -UN-01JAN94



HP3143

2H14

FC: 5516

SEPARATOR

UPPER TAILINGS AUGER, DRIVE AND SHIELD - CONTINUED

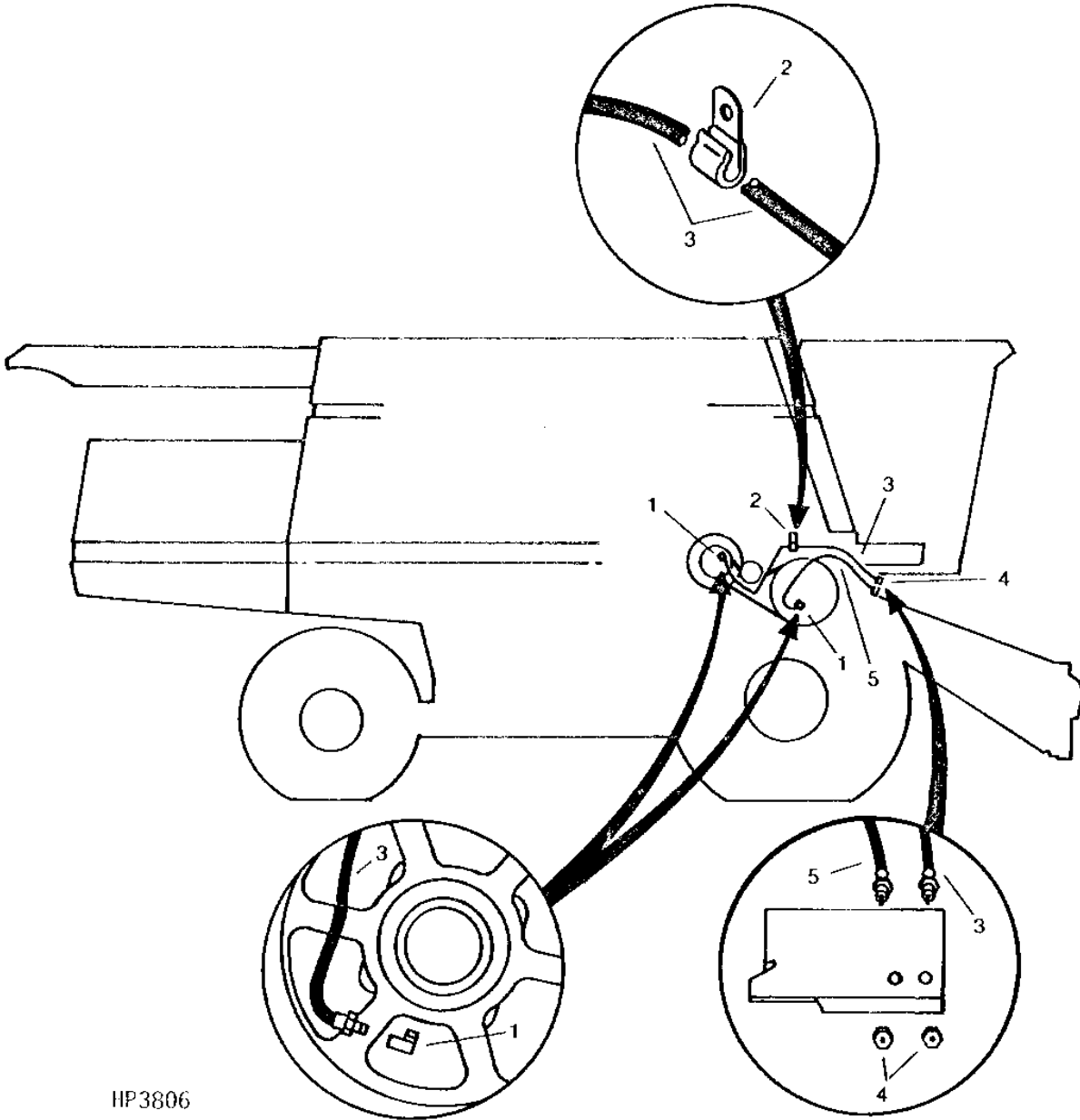
KEY	PART NO.	PART NAME	QTY	SERIAL NO. OR YEAR	REMARKS
1	H138435	SET SCREW	2		
2	14M7274	NUT	2		M10
3	22M7079	SET SCREW	1	-MAR92	M6 X 6, (SUB 22M7111)
	22M7111	SET SCREW	1		M6 X 6
4	AZ10044	ECCENTRIC LOCKING COLLAR	1		
5	H103264	PRESSED FLANGED HOUSING	2		
6	JD39102	BALL BEARING	1		
7	H134055	END PLATE	1	-SEPT92	(SUB H148633)
	H148633	END PLATE	1		
8	SHAFT KEY	1		8 X 7 X 40 MM (IN AH141142 KEY STOCK KIT) (CUT FROM H150269)
9	AH125895	AUGER	1		
10	03M7184	BOLT	AR		M8 X 20
	14M7298	FLANGE NUT	AR		M8
11	19M8317	SCREW	AR		M8 X 40
12	H134962	BEARING	1		WOOD, BEARING
13	H134963	RETAINER	1		
14	28H3367	BUSHING	1		0.364" X 0.540" X 4-1/8", (SUB H140467)
	H140467	BUSHING	1		9.246 X 13.716 X 104.775 MM (0.364" X 0.540" X 4-1/8")
15	AH130982	SHIELD	1	-640400	
	AH135207	SHIELD	1	640401-	
16	19M8262	CAP SCREW	1		M8 X 130
	14M7298	FLANGE NUT	1		M8
17	19M7862	SCREW	1		M6 X 20
	14M7303	FLANGE NUT	1		M6
18	ROLLER CHAIN	1		ROLLER, TYPE 50, 16MM (5/8") PITCH, 124 LINKS, (ASSEMBLE FROM AH18484 OR AP22459 AND (1) P20351)
19	AH121046	CHAIN SPROCKET	1		22 TOOTH

2H15

FC: 5653

SEPARATOR

LUBE HOSES R.H.
HP3806 -UN-01JAN94



HP3806

2H16

FC: 5653

SEPARATOR

LUBE HOSES R.H. - CONTINUED

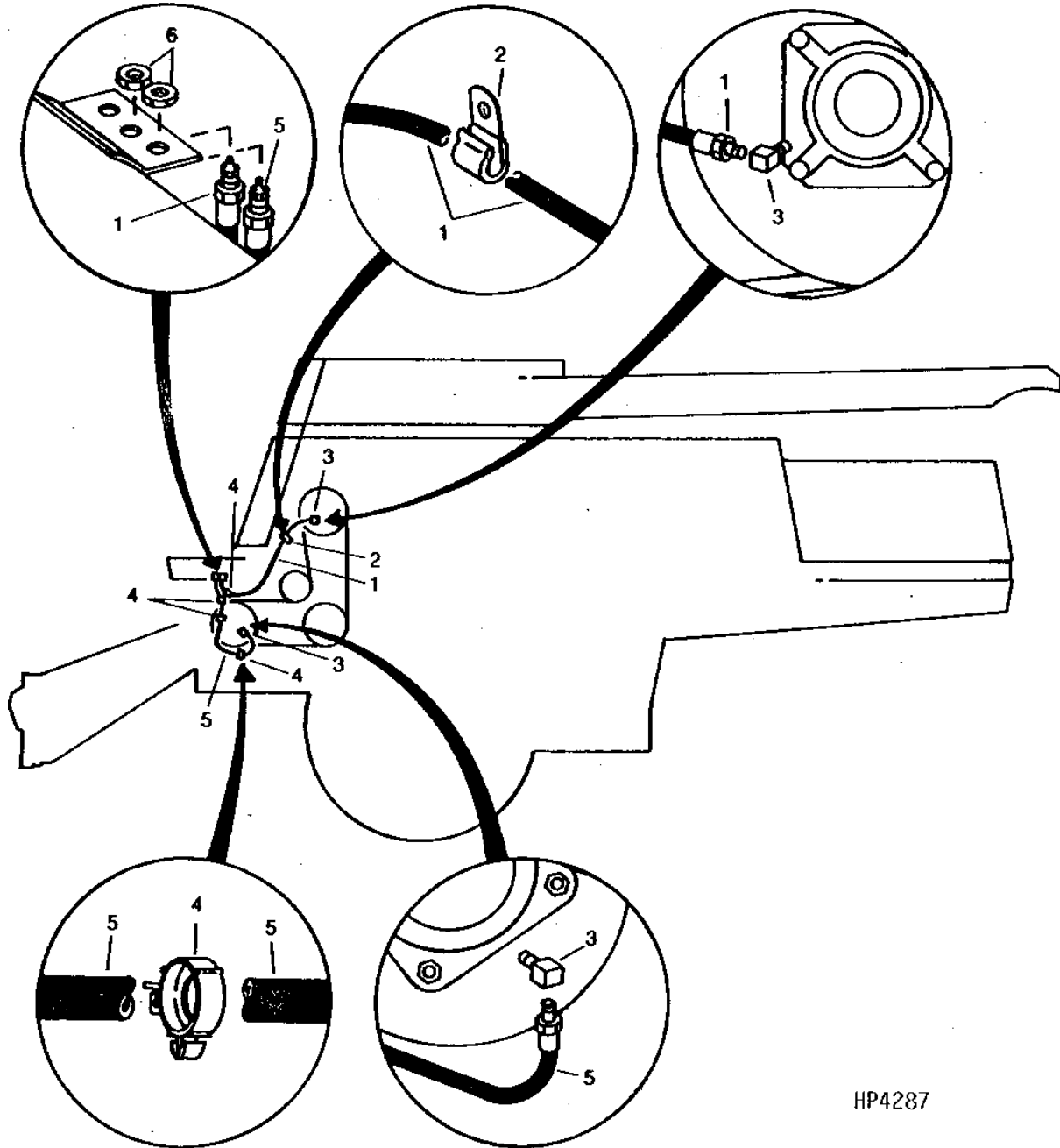
KEY	PART NO.	PART NAME	QTY	SERIAL NO.	REMARKS
1	JD7845	LUBRICATION FITTING	2		
2	AH89486	CLIP	1		
3	AH121007	HOSE	1		
4	E12379	NUT	2		
5	AH121009	HOSE	1		

2H17

FC: 5653

SEPARATOR

LUBE HOSES L.H.
HP4287 -UN-01JAN94



HP4287

2H18

FC: 5653

SEPARATOR

LUBE HOSES L.H. - CONTINUED

KEY	PART NO.	PART NAME	QTY	SERIAL NO.	REMARKS
1	AH121009	HOSE	1		
2	AH89486	CLIP	1		
3	JD7845	LUBRICATION FITTING	2		
4	H140149	HOLD-DOWN CLIP	4		
5	AH121009	HOSE	1		
6	E12379	NUT	2		

2H19

FC: 0000

SEPARATOR

METRIC KEY STOCK KIT

KEY	PART NO.	PART NAME	QTY	SERIAL NO.	REMARKS
..	SHAFT KEY	3		5 X 305MM SQUARE (IN AH141142 KEY STOCK KIT) (CUT FROM H150267)
..	SHAFT KEY	3		6 X 305MM SQUARE (IN AH141142 KEY STOCK KIT) (CUT FROM H150268)
..	SHAFT KEY	1		8 X 305MM SQUARE (IN AH141142 KEY STOCK KIT) (CUT FROM H150275)
..	SHAFT KEY	2		8 X 7 X 305MM RECTANGULAR (IN AH141142 KEY STOCK KIT) (CUT FROM H150269)
..	SHAFT KEY	1		10 X 8 X 305 MM RECTANGULAR (IN AH141142 KEY STOCK KIT) (CUT FROM H150270)
..	SHAFT KEY	1		12 X 8 X 305MM RECTANGULAR (IN AH141142 KEY STOCK KIT) (CUT FROM H150271)
..	SHAFT KEY	1		14 X 8 X 305MM RECTANGULAR (IN AH141142 KEY STOCK KIT) (CUT FROM H150272)
..	AH141142	SHAFT KEY	1		

FC: 0000

GRAIN TANK AND UNLOADING AUGER

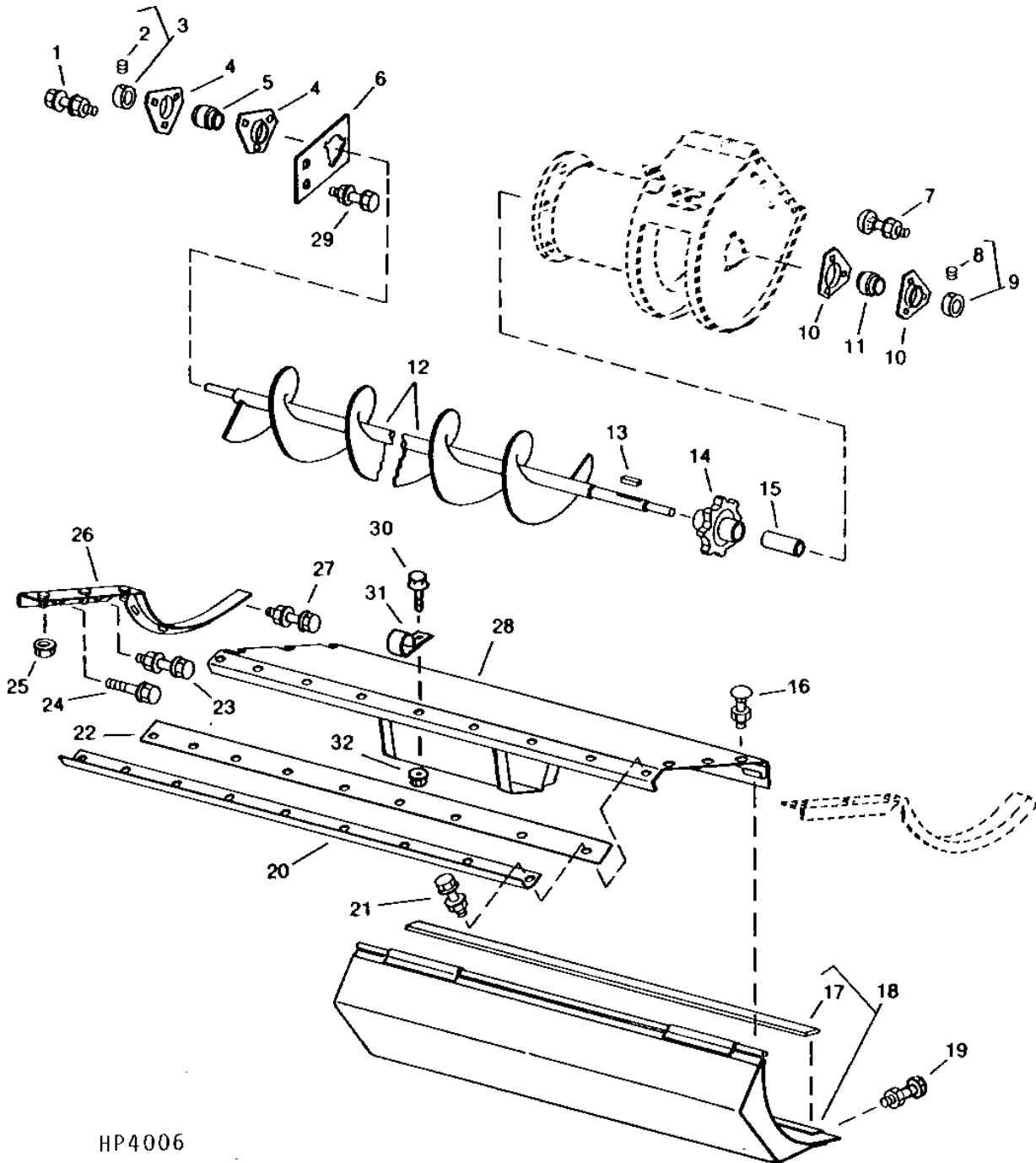
MEMORANDA

2H22

FC: 5511

GRAIN TANK AND UNLOADING AUGER

CLEAN GRAIN LOWER AUGER AND HINGED DOOR
HP4006 -UN-01JAN94



HP4006

2H23

FC: 5511

GRAIN TANK AND UNLOADING AUGER

CLEAN GRAIN LOWER AUGER AND HINGED DOOR - CONTINUED

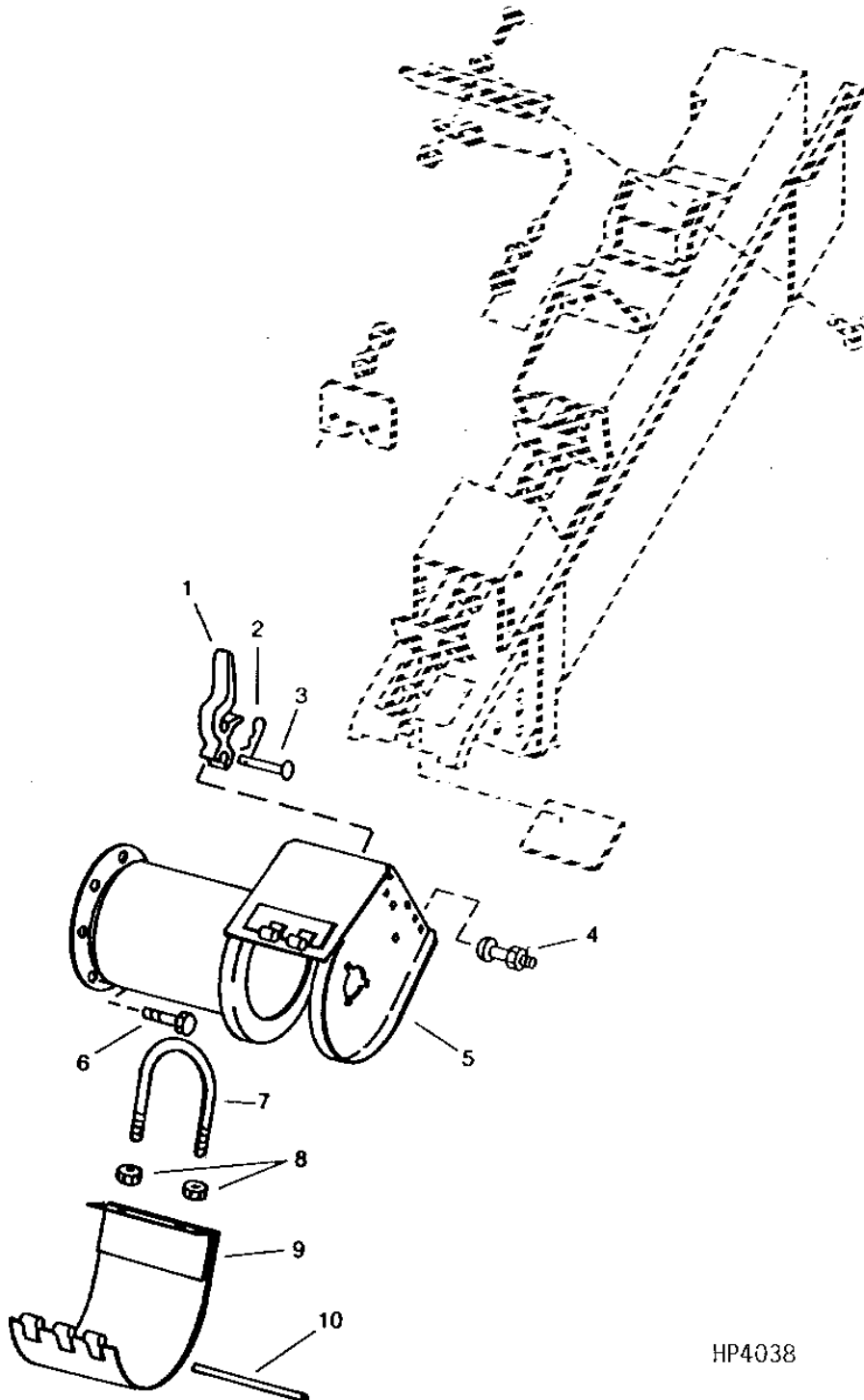
KEY	PART NO.	PART NAME	QTY	SERIAL NO.	REMARKS
1	19M7867	SCREW	3		M8 X 25
	14M7298	FLANGE NUT	3		M8
2	22M7079	SET SCREW	1	-MAR92	M6 X 6, (SUB 22M7111)
	22M7111	SET SCREW	1		
3	AZ10044	ECCENTRIC LOCKING COLLAR	1		
4	H103264	PRESSED FLANGED HOUSING	2		
5	JD39102	BALL BEARING	1		
6	H132539	COVER	1		
7	03M7190	BOLT	3		M10 X 20
	14M7296	FLANGE NUT	3		M10
8	22M7080	SET SCREW	1		M8 X 8
9	AZ10045	ECCENTRIC LOCKING COLLAR	1		
10	E10018	PRESSED FLANGED HOUSING	2		
11	JD39103	BALL BEARING	1		
12	AH128732	AUGER	1	-640400	(SUB AH133373)
	AH133373	AUGER	1		(SUB AH141577)
13	49M4111	SHAFT KEY	1		8 X 7 X 40 MM
14	H133143	CHAIN SPROCKET	1		
15	H138592	SPACER	1		(SUB H150117)
	H150117	SPACER	1		
16	03M7183	BOLT	3		M8 X 16
	14M7298	FLANGE NUT	3		M8
17	H88773	ISOLATOR	AR		CUT TO 1290 MM, 50-3/4". USE ONLY ON DOOR WITH PROTECTIVE PLATE.
18	AH117280	DOOR	1	-AUG93	(SUB AH139388) SOLID
	AH139388	DOOR	1		SOLID
	AH117281	DOOR	1	-FEB93	(SUB AH139389) PERFORATED
	AH139389	DOOR	1		PERFORATED
	AH118251	DOOR	1	-FEB92	(SUB AH139391) SOLID, WITH PROTECTIVE PLATE
	AH139391	DOOR	1		SOLID WITH PROTECTIVE PLATE
19	19M7799	SCREW	5		M8 X 45
	14M7396	LOCK NUT	5		M8
20	H75951	REINFORCEMENT	1	-640400	(SUB H134308)
	H134308	REINFORCEMENT	1		
21	19M7866	SCREW	8		M8 X 20
	14M7298	FLANGE NUT	8		M8
22	H75952	SEAL	1		
23	19M7865	SCREW	2		M8 X 16
	14M7298	FLANGE NUT	2		M8
24	19M7865	SCREW	1		M8 X 16, INTO WELDNUT
25	14M7298	FLANGE NUT	3		M8
26	AH122506	REINFORCEMENT	1		
27	19M7802	SCREW	3		M8 X 65
	14M7298	FLANGE NUT	3		M8
28	AH117277	HINGE	1		
29	19M7865	SCREW	2		M8 X 16
	14M7298	FLANGE NUT	2		M8
30	19M7865	SCREW	1		M8 X 16
31	AH77884	CLIP	1		
32	14M7298	FLANGE NUT	1		M8

2H24

FC: 5512

GRAIN TANK AND UNLOADING AUGER

CLEAN GRAIN LOWER ELEVATOR BOOT AND DOOR
HP4038 -UN-01JAN94



HP4038

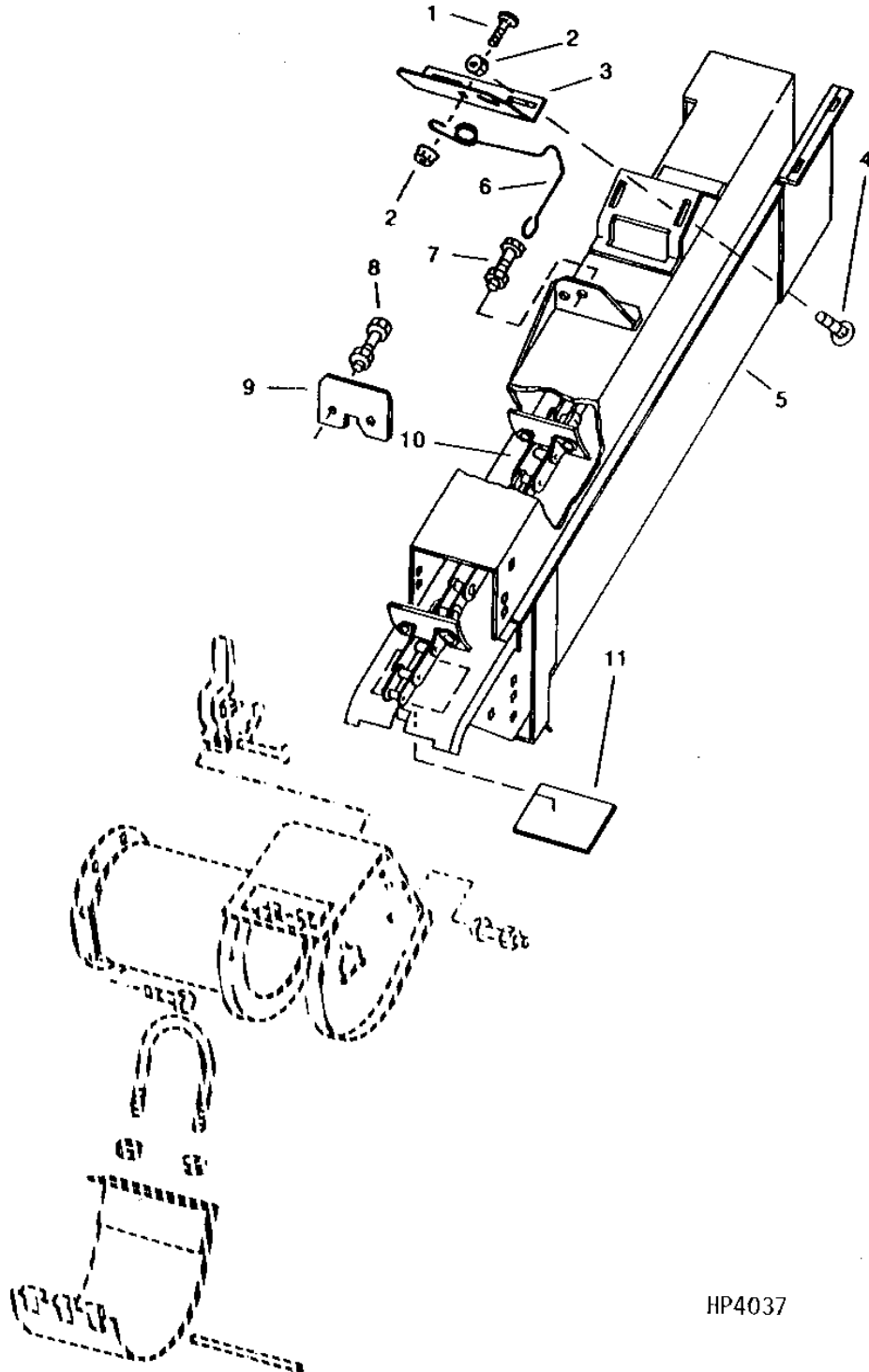
2H25

FC: 5512

GRAIN TANK AND UNLOADING AUGER

CLEAN GRAIN LOWER ELEVATOR BOOT AND DOOR - CONTINUED

KEY	PART NO.	PART NAME	QTY	SERIAL NO.	REMARKS
1	H101297	LEVER	1		
2	11M7081	COTTER PIN	1		2.500 X 20 MM
	11H211	COTTER PIN	1	-OCT92	1/8" X 3/4", (SUB 11M1383) (STAINLESS STEEL)
	11M1383	COTTER PIN	1		3.200 X 20 MM (0.126" X 0.787")
3	RV810A	PIN	14		
4	03M7251	BOLT	14		M6 X 12
	14M7303	FLANGE NUT	14		M6
5	AH136484	BOOT	1		(SUB AH136485)
	AH136485	BOOT	1		(STAINLESS STEEL)
6	19M7865	SCREW	8		(SUB AH129357) (STANDARD)
7	H128877	U-BOLT	1		
8	14M7396	LOCK NUT	2		M8
9	AH129357	DOOR	1		(STAINLESS STEEL)
	AH127396	DOOR	1		(PERFORATED)
10	H75985	DOWEL PIN	1		(6.88 IN.) NO LONGER AVAILABLE (MAKE FROM H76083)



HP4037

CLEAN GRAIN LOWER ELEVATOR AND CONVEYOR CHAIN - CONTINUED

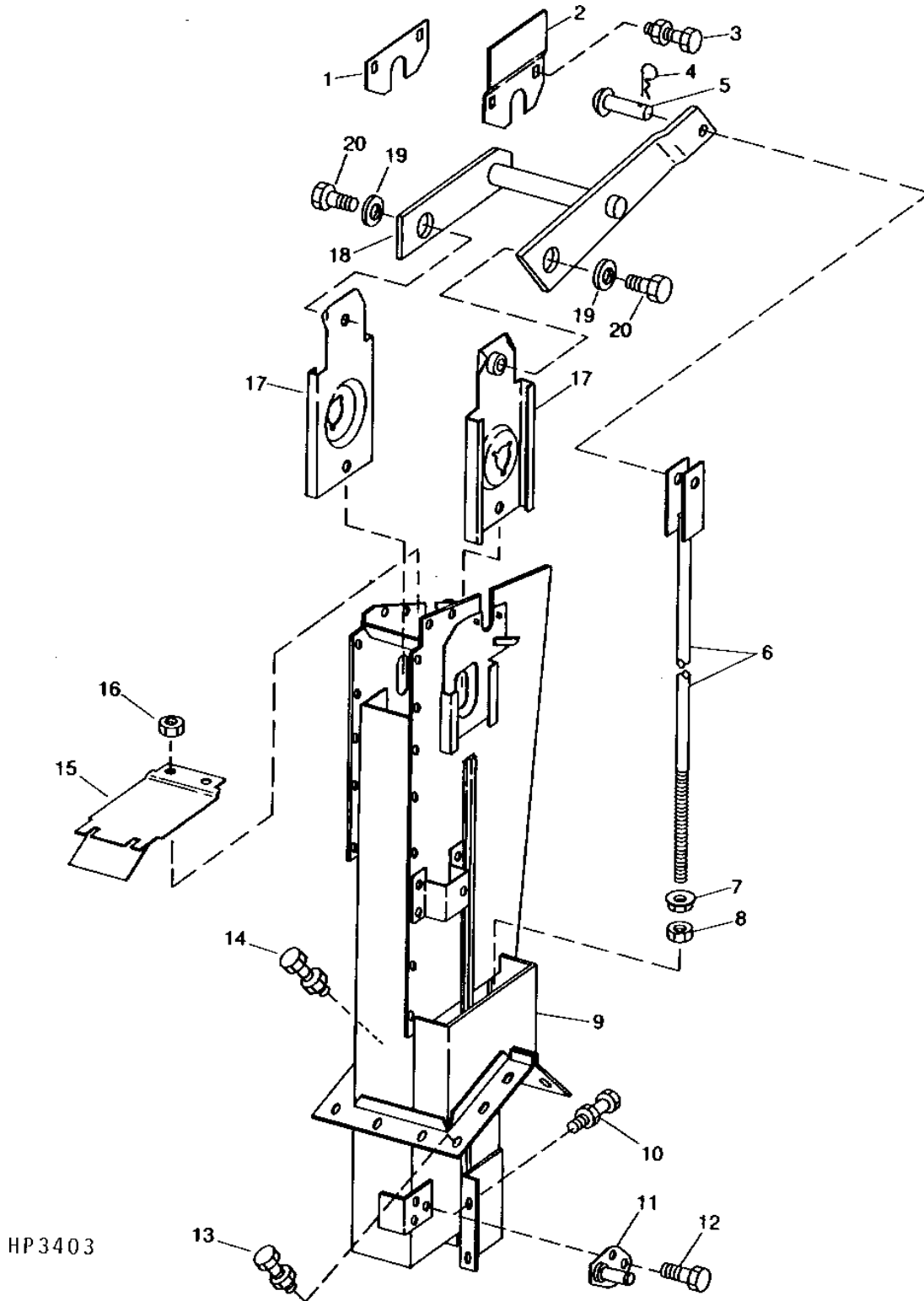
KEY	PART NO.	PART NAME	QTY	SERIAL NO.	REMARKS
1	19M7784	SCREW	1		
2	14M7296	FLANGE NUT	3		
3	H129389	BRACKET	1		
4	03M7190	BOLT	2		M10 X 20
5	AH125601	ELEVATOR	1		
	AH142200	ELEVATOR	1		
	AH129363	ELEVATOR	1	-MAY92	(SUB AH142203) STAINLESS STEEL
	AH142203	ELEVATOR	1		STAINLESS STEEL
6	H130930	SPRING	1		
7	19M7784	SCREW	1		
	14M7296	FLANGE NUT	1		
8	AH86897	BOLT	AR		(INCLUDES H85934, 12H302 AND 14H786)
	19H1948	CAP SCREW	2		(REPLACES RIVETS IN RUBBER PADDLES)
	14H786	NUT	2		1/4" X 3/4", FOR STEEL CLEANING PADDLES
9	H132227	PADDLE	1		1/4", FOR STEEL CLEANING PADDLES
10	AH132806	LINK CHAIN	1		(STEEL CLEANING)
	C10232	LINK	1		(CA-550 ROLLER CHAIN) (35 PADDLES)
	C10233	CHAIN LINK	1		(ROLLER)
	AC11779	PIN	1		(SUB AH137631) (OFFSET, WITH PIN)
	C10263	TRACK CHAIN	1		(SUB AH137630) (COUPLER)
	AC14974	PIN	1		
	H137276	PADDLE	35		(RUBBER)
11	T37851	REINFORCEMENT	1		

213

FC: 5512

GRAIN TANK AND UNLOADING AUGER

UPPER CLEAN GRAIN ELEVATOR
HP3403 -UN-01JAN94

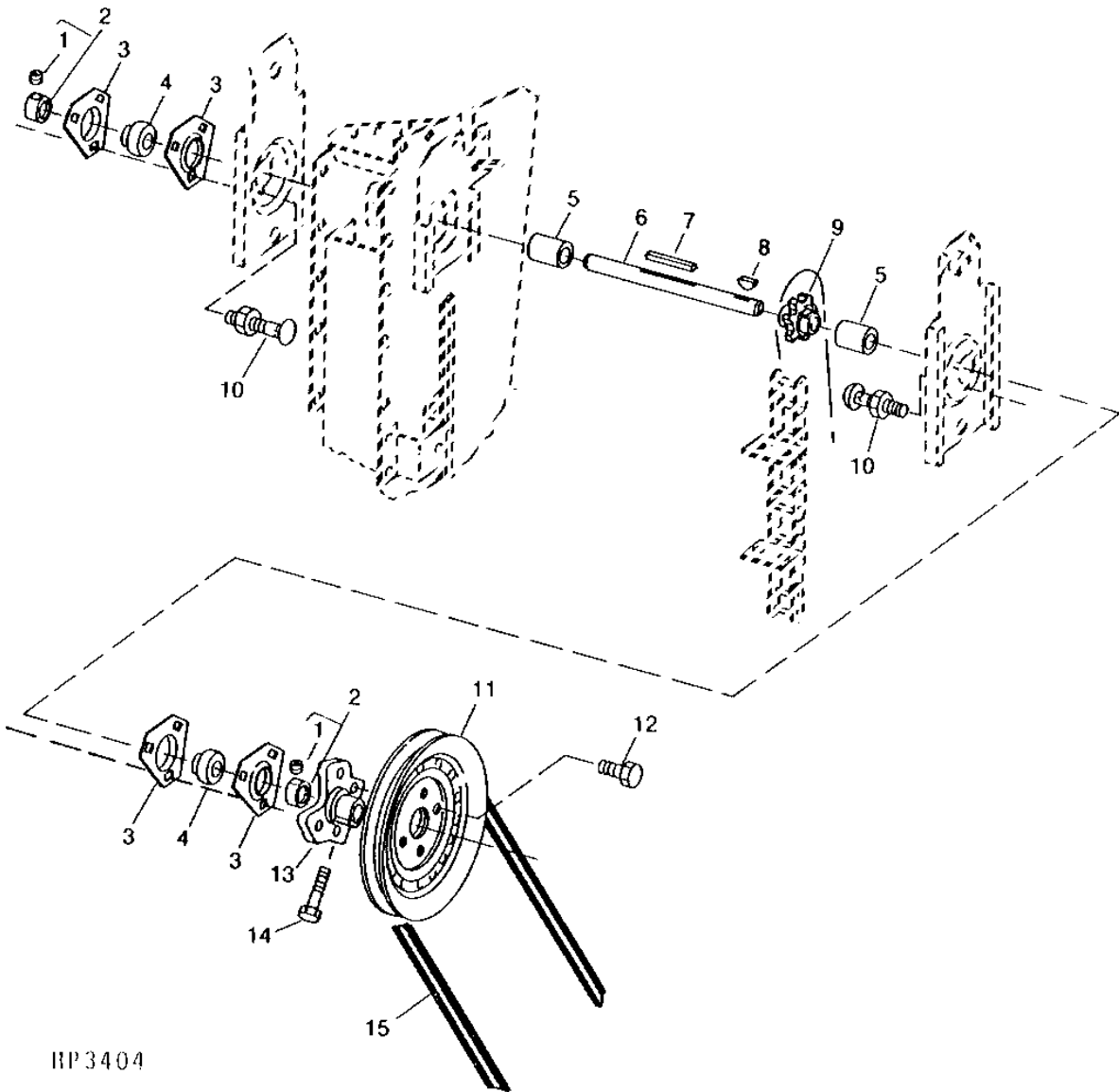


HP3403

UPPER CLEAN GRAIN ELEVATOR - CONTINUED

KEY	PART NO.	PART NAME	QTY	SERIAL NO.	REMARKS
1	H134286	SEAL	1		
2	H134287	SEAL	1		
3	03M7221	BOLT	4		M6 X 16
	14M7303	FLANGE NUT	4		M6
4	11M7081	COTTER PIN	1		2.500 X 20 MM
5	L1526N	PIN	1		
6	AH126354	YOKE	1		
7	14M7296	FLANGE NUT	1		M10
8	14M7274	NUT	1		M10
9	AH134706	ELEVATOR	1		
	AH142185	ELEVATOR	1		
	AH134705	ELEVATOR	1	-MAY92	(SUB AH142188) STAINLESS STEEL
	AH142188	ELEVATOR	1		STAINLESS STEEL
10	19M7785	SCREW	4		M10 X 25
	14M7296	FLANGE NUT	4		M10
11	AH109197	PIN	1		
12	19M7783	SCREW	3		M10 X 16
13	03M7186	BOLT	2		M8 X 30
	14M7298	FLANGE NUT	2		M8
14	03M7184	BOLT	12	-NOV93	M8 X 20
	BOLT	12	NOV93-	(WELDED)
	14M7298	FLANGE NUT	12		M8
15	AH131830	DOOR	1	-640400	(SUB AH135443)
	AH135443	DOOR	1		
16	14M7298	FLANGE NUT	4		M8
17	AH130370	BRACKET	2		
18	AH134669	LEVER	1		
19	24H1710	WASHER	2		13/32" X 2" X 0.065"
20	19M7865	SCREW	2		M8 X 16

UPPER CLEAN GRAIN ELEVATOR SHAFT, SPROCKET AND SHEAVE
HP3404 -UN-01JAN94

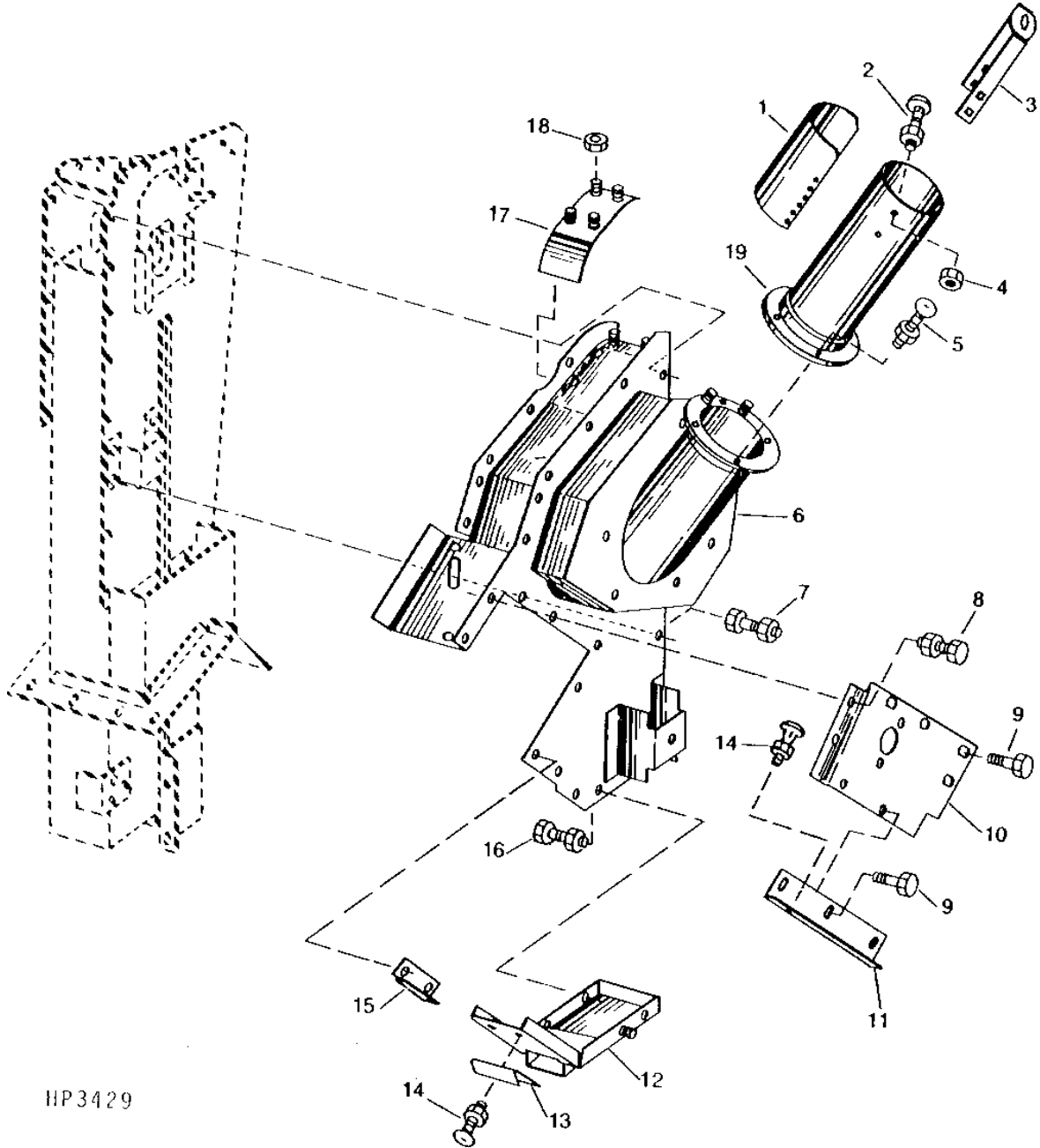


HP3404

UPPER CLEAN GRAIN ELEVATOR SHAFT, SPROCKET AND SHEAVE - CONTINUED

KEY	PART NO.	PART NAME	QTY	SERIAL NO.	REMARKS
1	22M7080	SET SCREW	2		M8 X 8
2	AZ10045	ECCENTRIC LOCKING COLLAR	2		
3	E10018	PRESSED FLANGED HOUSING	4		
4	JD39103	BALL BEARING	2		
5	H128890	SPACER	2		
6	H135713	SHAFT	1		
7	49M6480	SHAFT KEY	1		8 X 7 X 50 MM
8	26M4228	SHAFT KEY	1		8 X 28 MM (0.315" X 1.102")
9	H128576	CHAIN SPROCKET	1		8 TOOTH
10	03M7190	BOLT	6		M10 X 20
	14M7296	FLANGE NUT	6		M10
11	AH131329	SHEAVE	1	-640400	
	AH135463	SHEAVE	1	640401-	
12	19M7784	SCREW	4		M10 X 20
13	H134760	HUB	1		
14	19M7663	CAP SCREW	1		M8 X 70
15	H137830	BELT	1	-640400	
	H141167	BELT	1	640401-	

UPPER CLEAN GRAIN LOADING AUGER HOUSING
HP3429 -UN-01JAN94

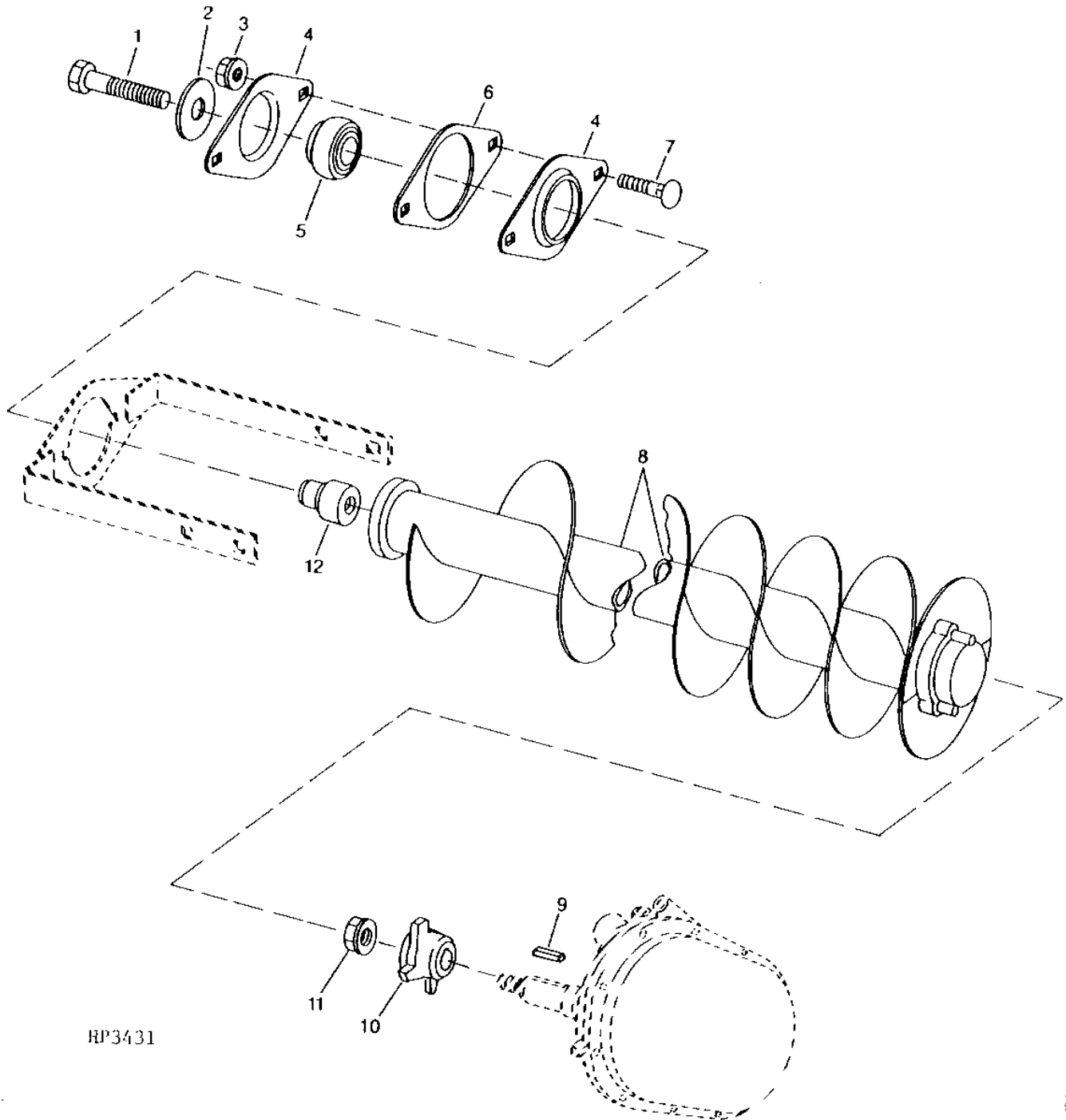


HP3429

UPPER CLEAN GRAIN LOADING AUGER HOUSING - CONTINUED

KEY	PART NO.	PART NAME	QTY	SERIAL NO.	REMARKS
1	H136094	DEFLECTOR	1	-640400	
	H136095	DEFLECTOR	1	640401-	
2	03M7193	BOLT	4		M10 X 35
	14M7296	FLANGE NUT	4		M10
3	AH132991	SUPPORT	1	-640400	
	AH135439	SUPPORT	1	640401-	
4	14M7296	FLANGE NUT	4		M10
5	03M7185	BOLT	4		M8 X 25
	14M7298	FLANGE NUT	4		M8
6	AH131197	CHUTE	1	-640400	
	AH135431	CHUTE	1	640401-	STAINLESS STEEL
	AH131371	CHUTE	1	-640400	STAINLESS STEEL
	AH135432	CHUTE	1	640401-	STAINLESS STEEL
7	19M7865	SCREW	9		M8 X 16
	14M7298	FLANGE NUT	9		M8
8	19M7866	SCREW	2		M8 X 20
	14M7298	FLANGE NUT	2		M8
9	19M7783	SCREW	8		M10 X 16
10	AH131206	PANEL	1	-640400	
	AH135441	PANEL	1	640401-	
11	H140097	ANGLE BLADE CYLINDER	1	-640400	
	H141033	ANGLE	1	640401-	
12	AH131550	DUST SHIELD	1		
13	H135538	ANGLE	1		
14	03M7183	BOLT	3		M8 X 16
	14M7298	FLANGE NUT	3		M8
15	H140096	ANGLE	1		
16	19M7865	SCREW	3		M8 X 16
	14M7298	FLANGE NUT	3		M8
17	AH132809	PLATE	1	-640400	
	AH135440	PLATE	1	640401-	
18	14M7298	FLANGE NUT	4		M8
19	AH131903	HOUSING	1	-640400	
	AH135444	HOUSING	1	640401-	STAINLESS STEEL
	AH132788	HOUSING	1	-640400	STAINLESS STEEL
	AH135445	HOUSING	1	640401-	STAINLESS STEEL

CLEAN GRAIN LOADING AUGER
HP3431 -UN-01JAN94



HP3431

2110

FC: 5513

GRAIN TANK AND UNLOADING AUGER

CLEAN GRAIN LOADING AUGER - CONTINUED

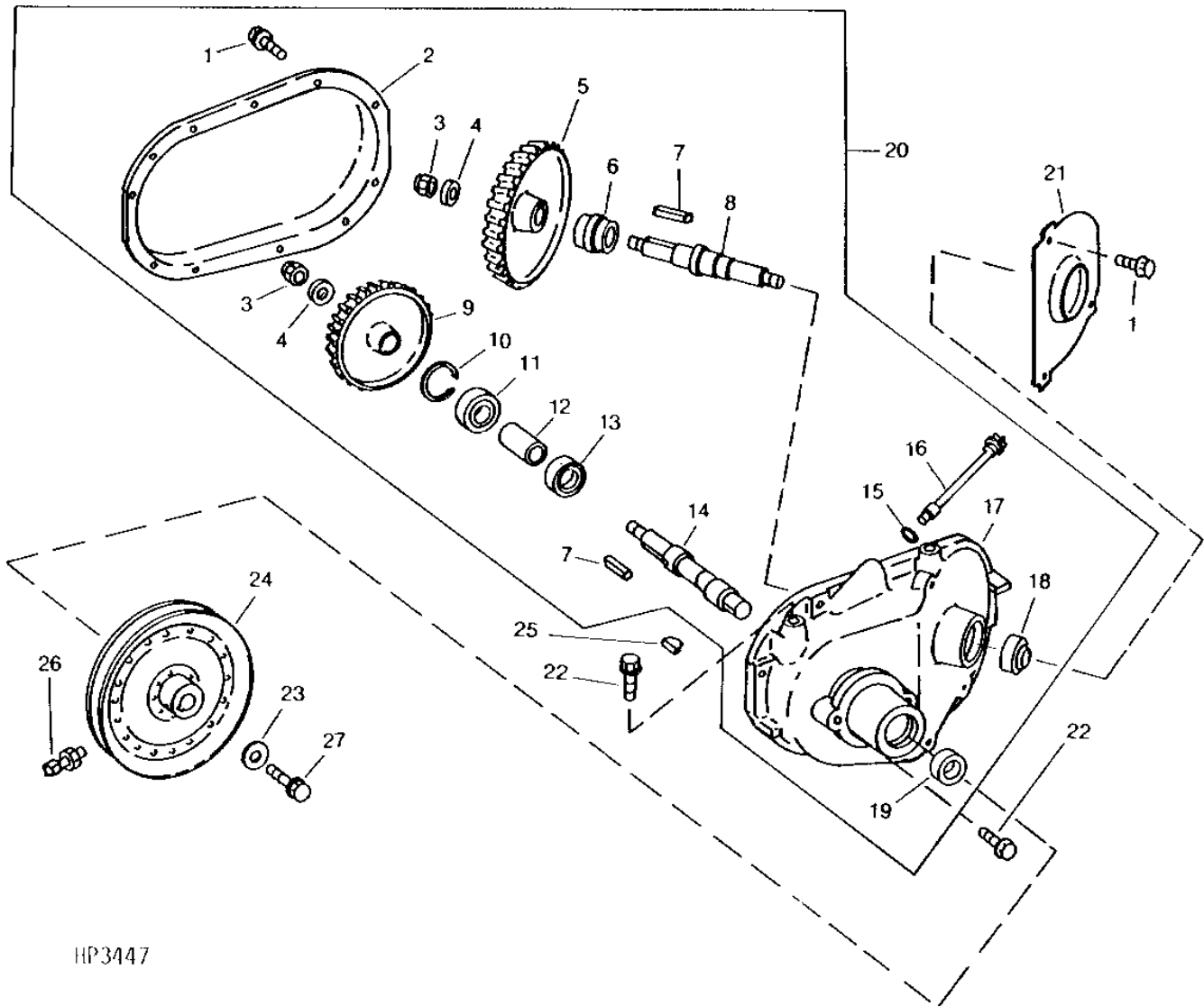
KEY	PART NO.	PART NAME	QTY	SERIAL NO.	REMARKS
1	19M7818	SCREW	1		M12 X 80
2	24M7180	WASHER	1		13 X 37 X 3 MM
3	14M7298	FLANGE NUT	2		M8
4	N15764	PRESSED FLANGED HOUSING	2		
5	JD9219	BALL BEARING	1		
6	H137916	SHIM	2		
7	03M7185	BOLT	2		M8 X 25
8	AH136091	AUGER	1		
9	SHAFT KEY	1		6 X 32 MM (IN AH141142 KEY STOCK KIT) (CUT FROM H150268)
10	H136186	AUGER	1		
11	14M7291	FLANGE NUT	1		M16
12	H137919	BUSHING	1		

2111

FC: 5532

GRAIN TANK AND UNLOADING AUGER

CLEAN GRAIN ELEVATOR GEARCASE AND SHEAVE
HP3447 -UN-01JAN94



HP3447

2112

FC: 5532

GRAIN TANK AND UNLOADING AUGER

CLEAN GRAIN ELEVATOR GEARCASE AND SHEAVE - CONTINUED

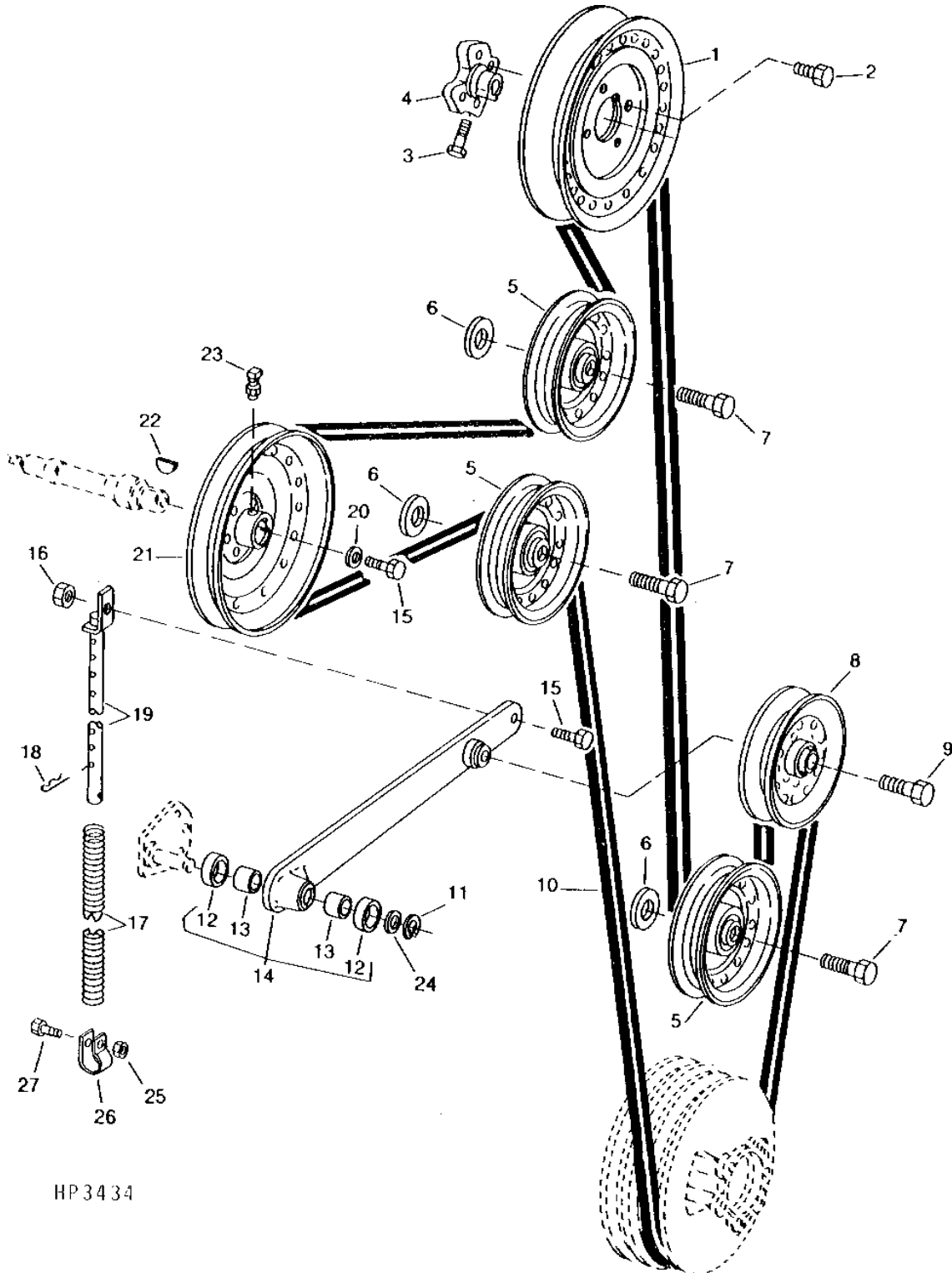
KEY	PART NO.	PART NAME	QTY	SERIAL NO.	REMARKS
1	19M7866	SCREW	14		M8 X 20
2	H135454	COVER	1		
3	R69706	LOCK NUT	2		
4	24H1825	WASHER	2		11/16" X 1-1/2" X 0.194"
5	H135286	GEAR	1	-NOV92	(SUB H145316)
	H145316	BEVEL GEAR	1		
6	AH131873	BEARING	1		
7	SHAFT KEY	2		6 X 32 MM (IN AH141142 KEY STOCK KIT) (CUT FROM H150268)
8	H136209	SHAFT	1		
9	H135287	GEAR	1	-SEPT93	(SUB H145317)
	H145317	BEVEL GEAR	1		
10	P46874	SNAP RING	1		
11	JD7689	BALL BEARING	1		
12	28H3054	BUSHING	1		1.278" X 1.660" X 2-15/32"
13	JD7681	BALL BEARING	1		
14	H135452	SHAFT	1		
15	R26375	O-RING	1		
16	AH134598	DIPSTICK	1		
17	H135453	GEAR CASE	1		
18	AH131860	SEAL	1		
19	AH21815	SEAL	1		
20	AH134858	GEAR CASE	1		
21	H137606	WEAR PLATE	1		
22	19M7789	SCREW	4		
23	24H1730	WASHER	1	-AUG92	13/32" X 1-1/2" X 0.120", (SUB 24M7101)
	24M7101	WASHER	1		11 X 34 X 3 MM (0.433" X 1.339" X 0.118")
24	AH132372	SHEAVE	1		
25	26H22	SHAFT KEY	1		1/4" X 1", (SUB 26H85)
	26H85	SHAFT KEY	1		6.350 X 25.400 MM (1/4" X 1")
26	22H836	SET SCREW	2		3/8" X 1"
	14H732	NUT	2		3/8"
27	19M7786	SCREW	1		M10 X 30
..	TY15130	SEALANT	1		(03 OZ. TUBE) (CANADA PART NO TY9484)

2113

FC: 5532

GRAIN TANK AND UNLOADING AUGER

CLEAN GRAIN ELEVATOR DRIVE TIGHTENER AND IDLER
HP3434 -UN-01JAN94



HP 34 34

2114

FC: 5532

GRAIN TANK AND UNLOADING AUGER

CLEAN GRAIN ELEVATOR DRIVE TIGHTENER AND IDLER - CONTINUED

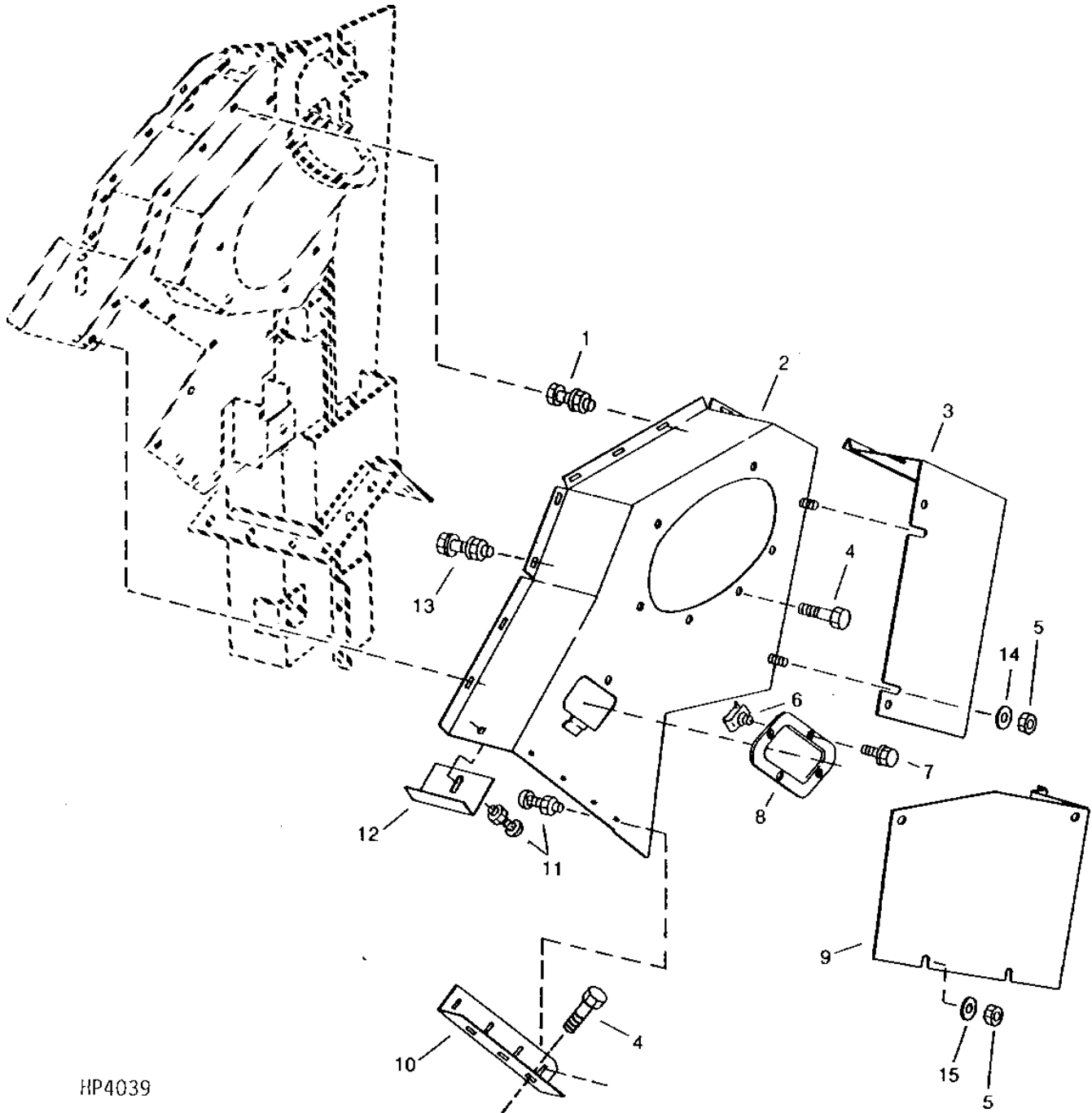
KEY	PART NO.	PART NAME	QTY	SERIAL NO.	REMARKS
1	AH131329	SHEAVE	1	-640400	CONVEYOR CHAIN
	AH135463	SHEAVE	1	640401-	
2	19M7784	SCREW	4		M10 X 20
3	19M7663	CAP SCREW	1		M8 X 70
4	H134760	HUB	1		
5	AH94450	IDLER	3		
6	24M7053	WASHER	3		17 X 30 X 3 MM
7	19M7824	SCREW	3		M16 X 60
8	AN15237	IDLER	1		
9	19M7844	SCREW	1		M16 X 45
10	H137830	BELT	1	-640400	
	H141167	BELT	1	640401-	
11	P46402	SNAP RING	1		
12	AA5607R	SEAL	2		
13	H99147	BUSHING	2		
14A	AH126052	ARM	1	-640400	
14B	AH135579	ARM	1	640401-	
15	19M7786	SCREW	2		M10 X 30
16	14M7337	NUT	1	-MAR94	M10, (SUB 14M7517)
	14M7517	LOCK NUT	1		M10
17	H129049	SPRING	1		
18	A3581R	SPRING LOCKING PIN	1		(SUB A15146)
	A15146	SPRING LOCKING PIN	1		
19	AH124502	RETAINER	1		
20	24M7101	WASHER	1		11 X 34 X 3 MM, (SUB FOR 24H1730)
21	AH132372	SHEAVE	1		GEARCASE
22	26H22	SHAFT KEY	1	-OCT93	1/4" X 1", (SUB 26H85)
	26H85	SHAFT KEY	1		6.350 X 25.400 MM (1/4" X 1")
23	22H836	SET SCREW	2		3/8" X 1"
	14H732	NUT	2		3/8"
24	24M7091	WASHER	1		26 X 44 X 4 MM
25	14M7303	FLANGE NUT	1		M6
26	H132088	CLEVIS	1		
27	19M8321	SCREW	1		M6 X 45
28	24H1373	WASHER	2		21/32" X 1-9/16" X 0.180"

2115

FC: 5513

GRAIN TANK AND UNLOADING AUGER

UPPER CLEAN GRAIN ELEVATOR SHIELDS
(-640400)
HP4039 -UN-01JAN94



HP4039

2116

FC: 5513

GRAIN TANK AND UNLOADING AUGER

UPPER CLEAN GRAIN ELEVATOR SHIELDS - CONTINUED
(-640400)

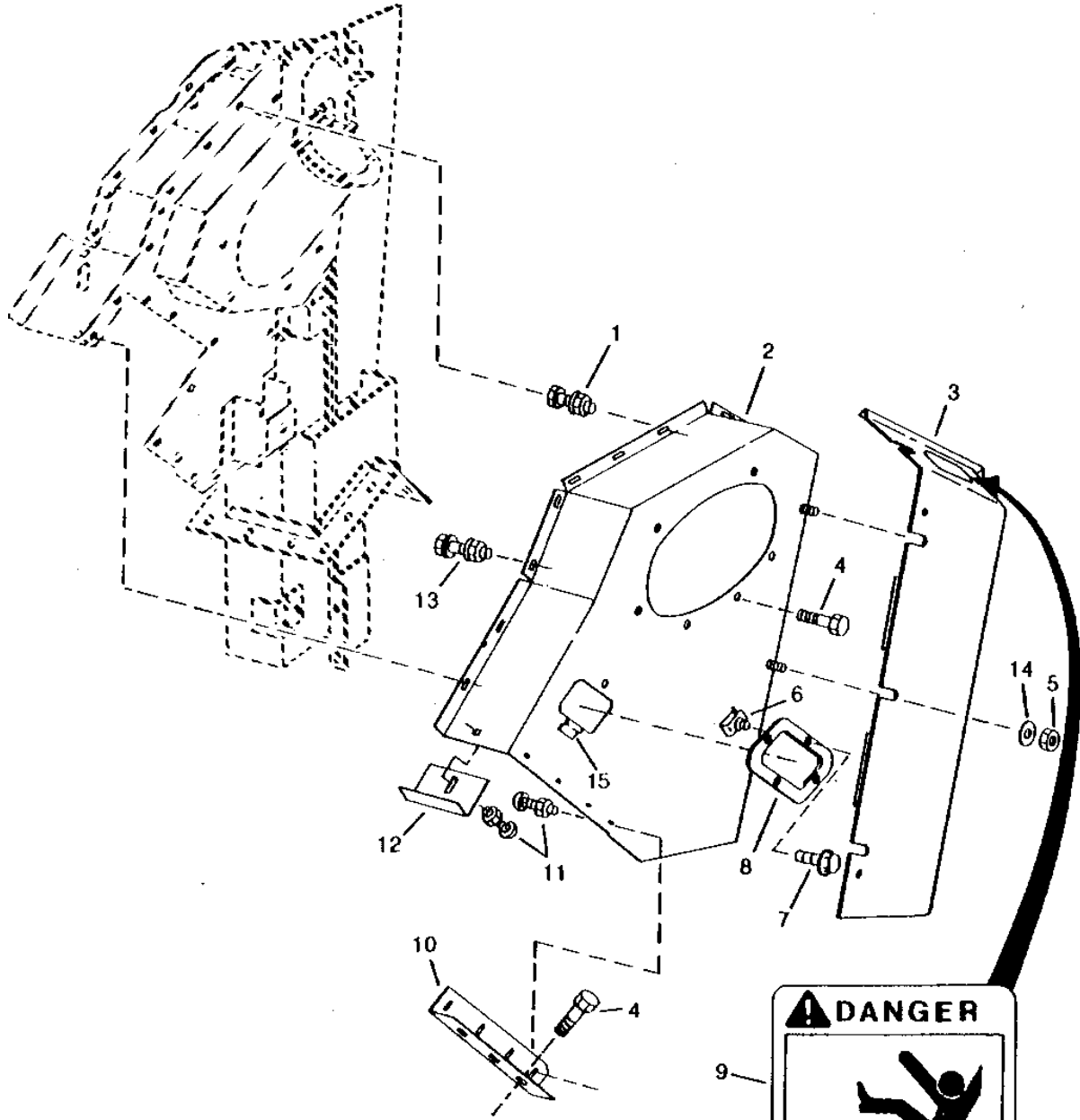
KEY	PART NO.	PART NAME	QTY	SERIAL NO.	REMARKS
1	19M7865	SCREW	5		M8 X 16
	14M7298	FLANGE NUT	5		M8
2	AH131237	SHIELD	1		
	AH135442	SHIELD	1		
3	AH131238	DUST SHIELD	1		
4	03M7183	BOLT	9		M8 X 16
	14M7298	FLANGE NUT	9		M8
5	14M7020	WING NUT	5		M8
6	M84972	NUT	1		
7	19M7774	SCREW	1		M6 X 12
8	H89569	DOOR	1		
9	H135588	DUST SHIELD	1		LOWER
10	H139969	ANGLE	1		
11	03M7183	BOLT	5		M8 X 16
	14M7298	FLANGE NUT	5		M8
12	H135590	ANGLE	1		
13	19M7866	SCREW	2		M8 X 20
	14M7298	FLANGE NUT	2		M8
14	24H1297	WASHER	2		11/32" X 2" X 0.065"
15	24M7207	WASHER	2		8.400 X 24 X 2 MM

2117

FC: 5513

GRAIN TANK AND UNLOADING AUGER

UPPER CLEAN GRAIN ELEVATOR SHIELDS
(640401-)
HP5730 -UN-01JAN94



HP5730

⚠ DANGER

DO NOT enter grain tank when engine is running.

2118

FC: 5513

GRAIN TANK AND UNLOADING AUGER

UPPER CLEAN GRAIN ELEVATOR SHIELDS - CONTINUED
(640401-)

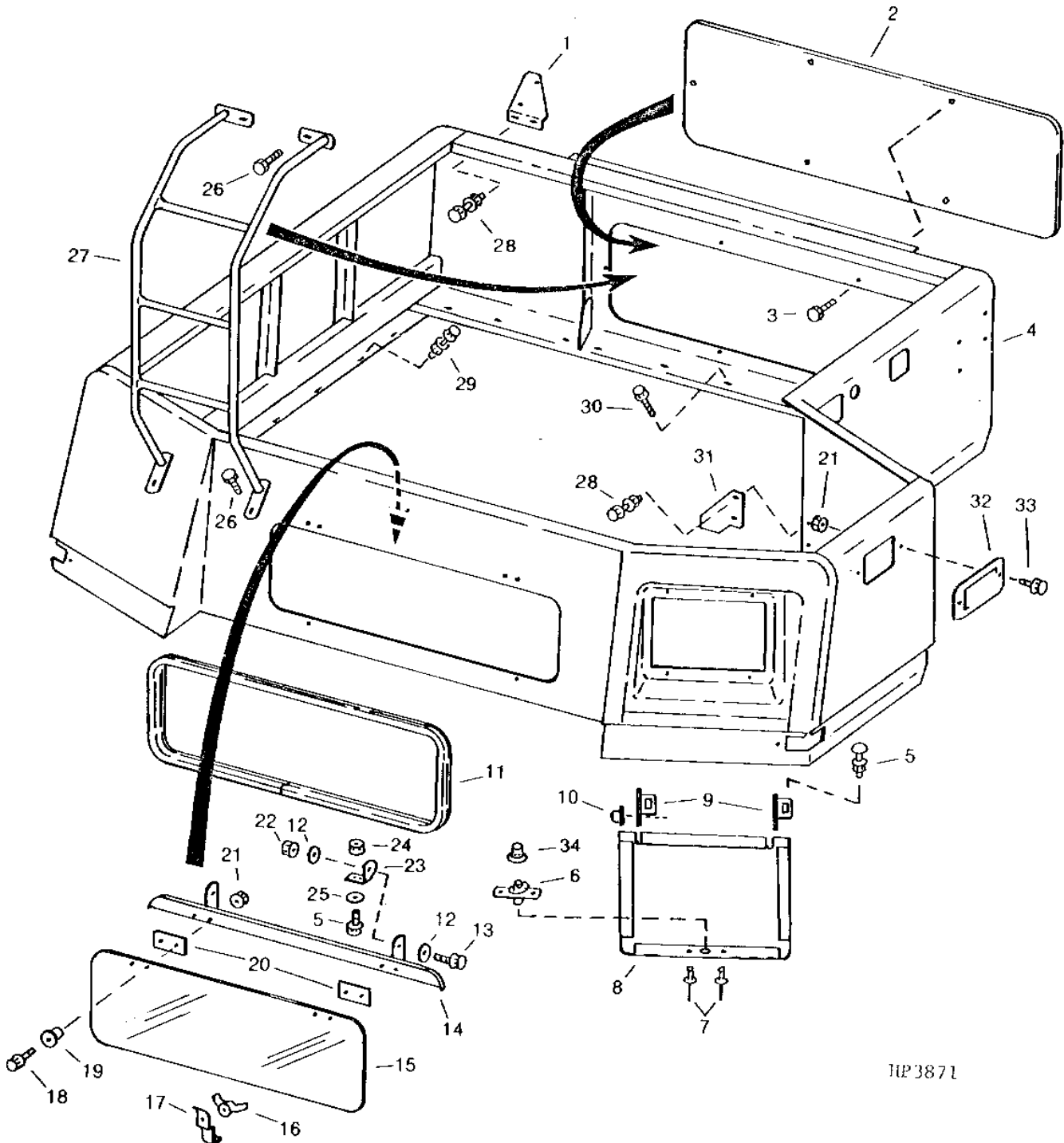
KEY	PART NO.	PART NAME	QTY	SERIAL NO.	REMARKS
1	19M7865	SCREW	5	M8 X 16	
	14M7298	FLANGE NUT	5	M8	
2	AH137257	SHIELD	1		
3	AH137256	SHIELD	1		
4	03M7183	BOLT	9	M8 X 16	
	14M7298	FLANGE NUT	9	M8	
5	14M7020	WING NUT	5	M8	
6	M84972	NUT	1		
7	19M7774	SCREW	1	M6 X 12	
8	H89569	DOOR	1		
9	H133638	LABEL	1	(SUB H149062)	
	H149062	DECAL	1	"DANGER" ON GRAIN TANK EXTENSION	
10	H141044	ANGLE	1		
11	03M7183	BOLT	5	M8 X 16	
	14M7298	FLANGE NUT	5	M8	
12	H135590	ANGLE	1		
13	19M7866	SCREW	2	M8 X 20	
	14M7298	FLANGE NUT	2	M8	
14	24H1297	WASHER	3	11/32" X 2" X 0.065"	
15	H82060	CLIP	1		

2119

FC: 5551

GRAIN TANK AND UNLOADING AUGER

GRAIN TANK TOP
HP3871 -UN-01JAN94



HP3871

2120

FC: 5551

GRAIN TANK AND UNLOADING AUGER

GRAIN TANK TOP - CONTINUED

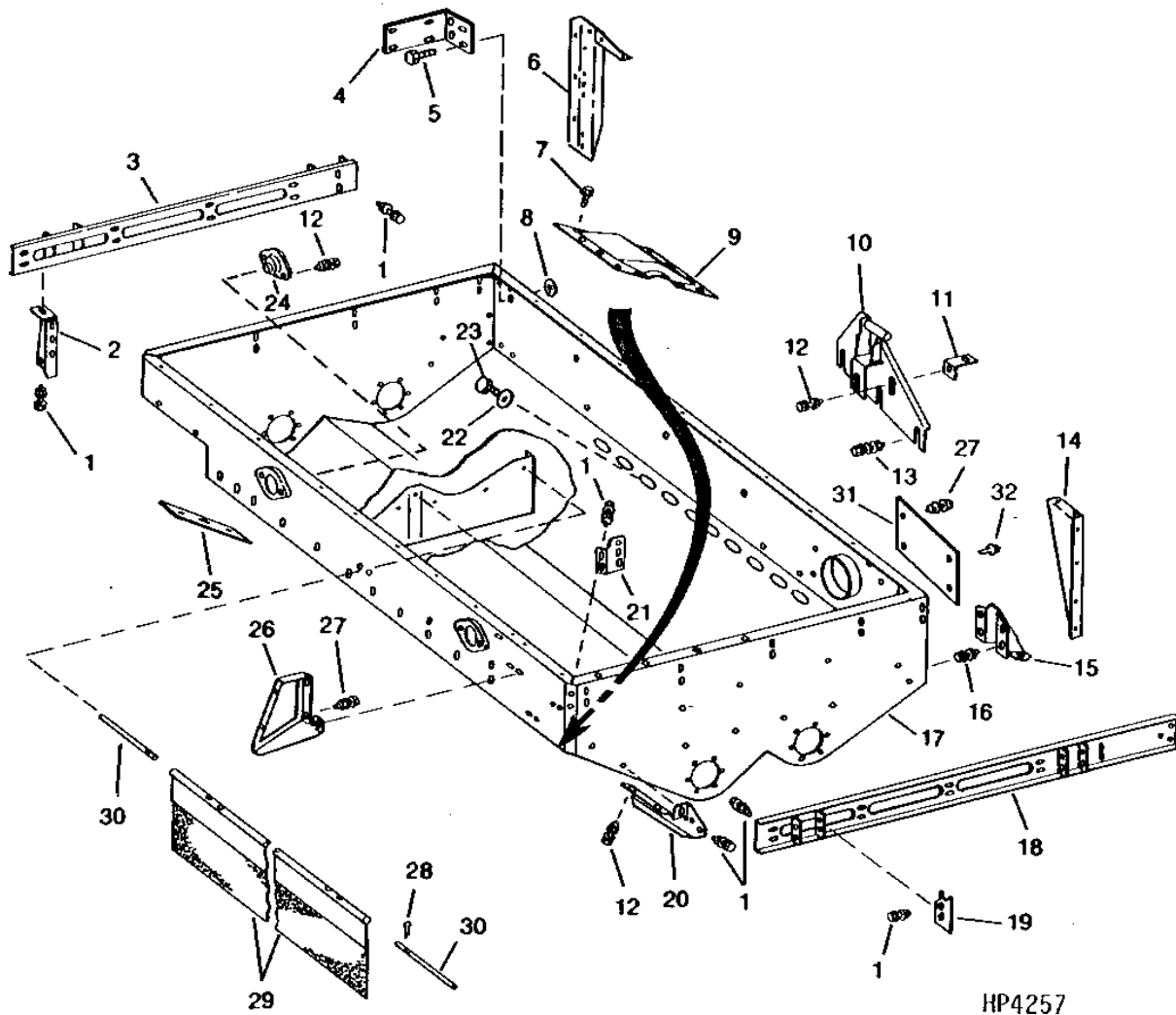
KEY	PART NO.	PART NAME	QTY	SERIAL NO. OR YEAR	REMARKS
1	H133584	BRACKET	1		
2	H127638	PANEL	1		
3	19M7865	SCREW	6		M8 X 16
4	AH136558	TANK	1	-640400	(SUB AH134765)
	AH134765	TANK	1		
5	03M7183	BOLT	6		M8 X 16
	14M7298	FLANGE NUT	2		M8
6	AH125644	LATCH	1		
7	H64584	RIVET	2		
8	AH122507	DOOR	1		
9	H132024	HINGE	2		
10	H120499	NUT	2		
11	AH80335	WEATHERSTRIP	AR		
12	B27370	WASHER	4		8.331 X 19.050 X 0.914 MM (21/64" X 3/4" X 0.036")
13	19M7866	SCREW	2		M8 X 20
14	AH126619	REINFORCEMENT	1		
15	H131675	WINDOWPANE	1		
16	14M7019	WING NUT	2		M6
17	H131674	LATCH	2		
18	19M7862	SCREW	4		M6 X 20
19	R50642	WASHER	4		
20	H131673	GASKET	2		
21	14M7303	FLANGE NUT	8		M6
22	14M7396	LOCK NUT	2		M8
23	H132542	ANGLE	2		
24	14M7298	FLANGE NUT	4		M8
25	H131531	NUT	4		(SUB M84309)
	M84309	NUT	4		
26	19M7866	SCREW	4		M8 X 20 M8
27	AH128554	LADDER	1		
28	19M7866	SCREW	5		M8 X 20
	14M7298	FLANGE NUT	5		M8
29	19M7865	SCREW	13		M8 X 16
	14M7298	FLANGE NUT	13		M8
30	37M7058	SCREW	21		M8 X 20
31	H130262	PANEL	1		ROLLING THREAD
32	H132666	PLATE	2		
33	19M7774	SCREW	4		M6 X 12
34	H121391	KNOB	1		

2121

FC: 5551

GRAIN TANK AND UNLOADING AUGER

GRAIN TANK BASE
HP4257 -UN-01JAN94



2122

FC: 5551

GRAIN TANK AND UNLOADING AUGER

GRAIN TANK BASE - CONTINUED

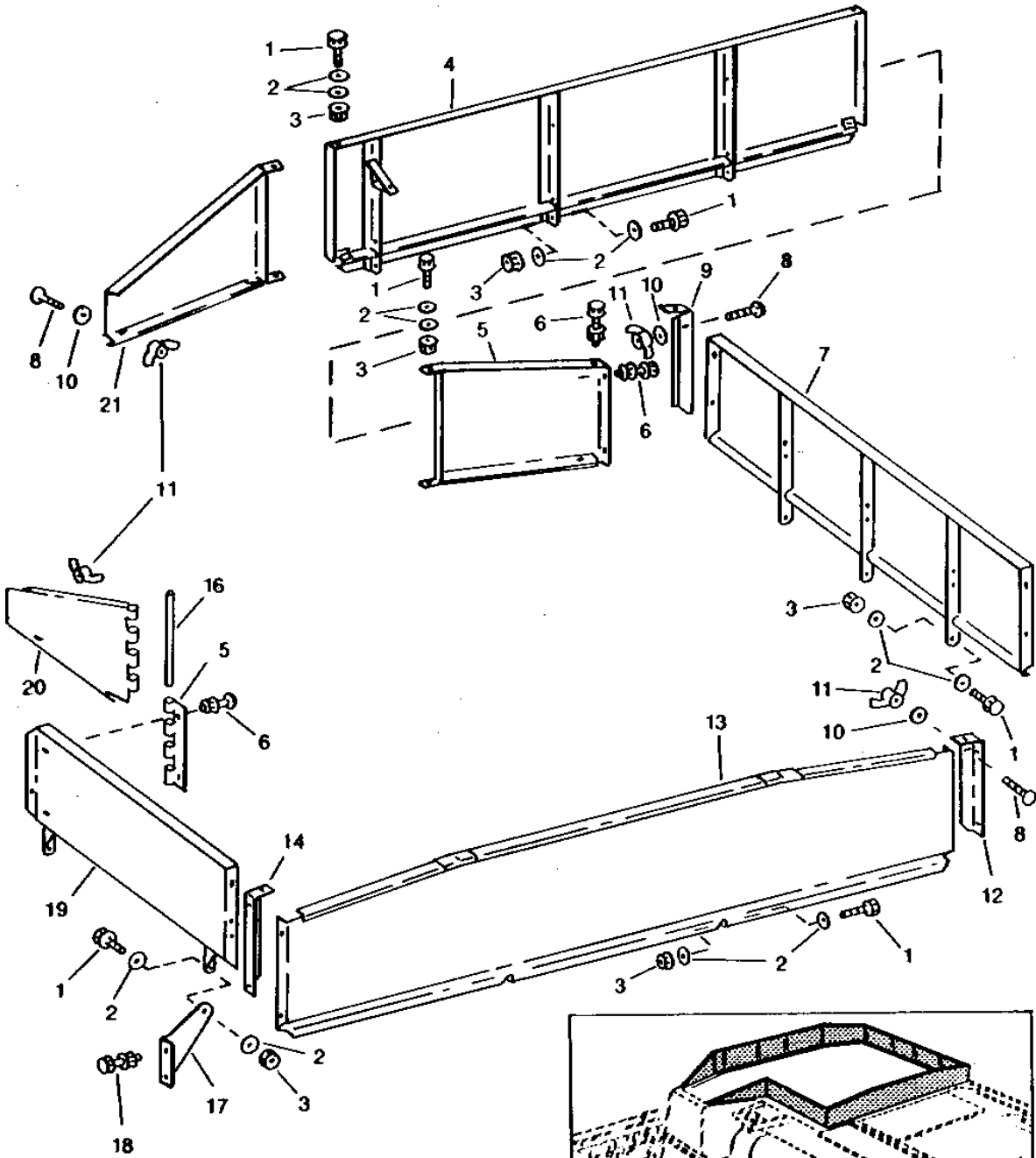
KEY	PART NO.	PART NAME	QTY	SERIAL NO. OR YEAR	REMARKS
1	19M7784	SCREW	37		M10 X 20
	14M7296	FLANGE NUT	37		M10
2	H139056	BRACKET	2		
3	AH125306	CHANNEL	1		RIGHT-HAND
4	H129885	ANGLE	1		
5	19M7785	SCREW	5		M10 X 25
6	AH130198	SUPPORT	1		
7	37M7087	SCREW	12		M10 X 25
8	H141123	LOCK WASHER	5		
9	H200256	HOUR METER	1		
10	AH128037	BRACKET	1		
11	H132662	BRACKET	1		
12	19M7788	SCREW	6		M12 X 25
	14M7299	FLANGE NUT	6		M12
13	19M7788	SCREW	5		M12 X 25
	24M7180	WASHER	5		13 X 37 X 3 MM
	14M7299	FLANGE NUT	5		M12
14	H133828	SUPPORT	1		(SUB H147299)
15	H129588	BRACKET	1		
16	19M7866	SCREW	4		M8 X 20
	14M7298	FLANGE NUT	4		M8
17	AH134601	TANK	1		
18	AH125478	CHANNEL	1		LEFT-HAND
19	H125537	PLATE	4		
20	H127677	BRACKET	1		LEFT-HAND
21	AH125814	SUPPORT	1		
22	24H1347	WASHER	5		17/32" X 2" X 0.194"
23	37M7080	SCREW	5		M10 X 30
24	AH108299	RUBBER MOUNT	2		CAB ISOLATION
25	H139972	PLATE	1		
26	H130363	BRACKET	1		
27	19M7865	SCREW	4		M8 X 16
	14M7298	FLANGE NUT	4		M8
28	11M7059	COTTER PIN	4		3.200 X 20 MM
29	AH125391	LIMIT CURTAIN	2		(SUB H144823, H145880, H76863, (2) 11H211 AND (2) 11M1383)
30	H131865	PIN	4		
31	AH200286	COVER	1		
32	H65108	SCREW	2	-MAY93	7.938 X 12.700 MM (5/16" X 1/2") (SUB H78354)
	H78354	SCREW	2		7.938 X 14.224 MM (5/16" X 0.560")

2123

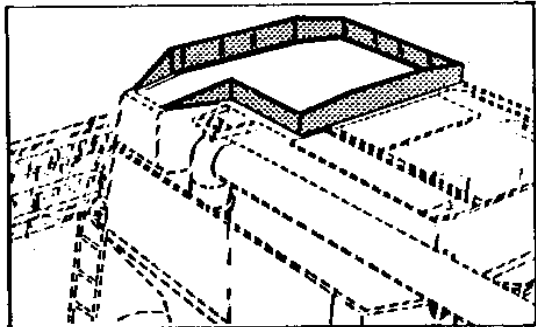
FC: 5551

GRAIN TANK AND UNLOADING AUGER

GRAIN TANK EXTENSIONS
HP4258 -UN-01JAN94



HP4258



2124

FC: 5551

GRAIN TANK AND UNLOADING AUGER

GRAIN TANK EXTENSIONS - CONTINUED

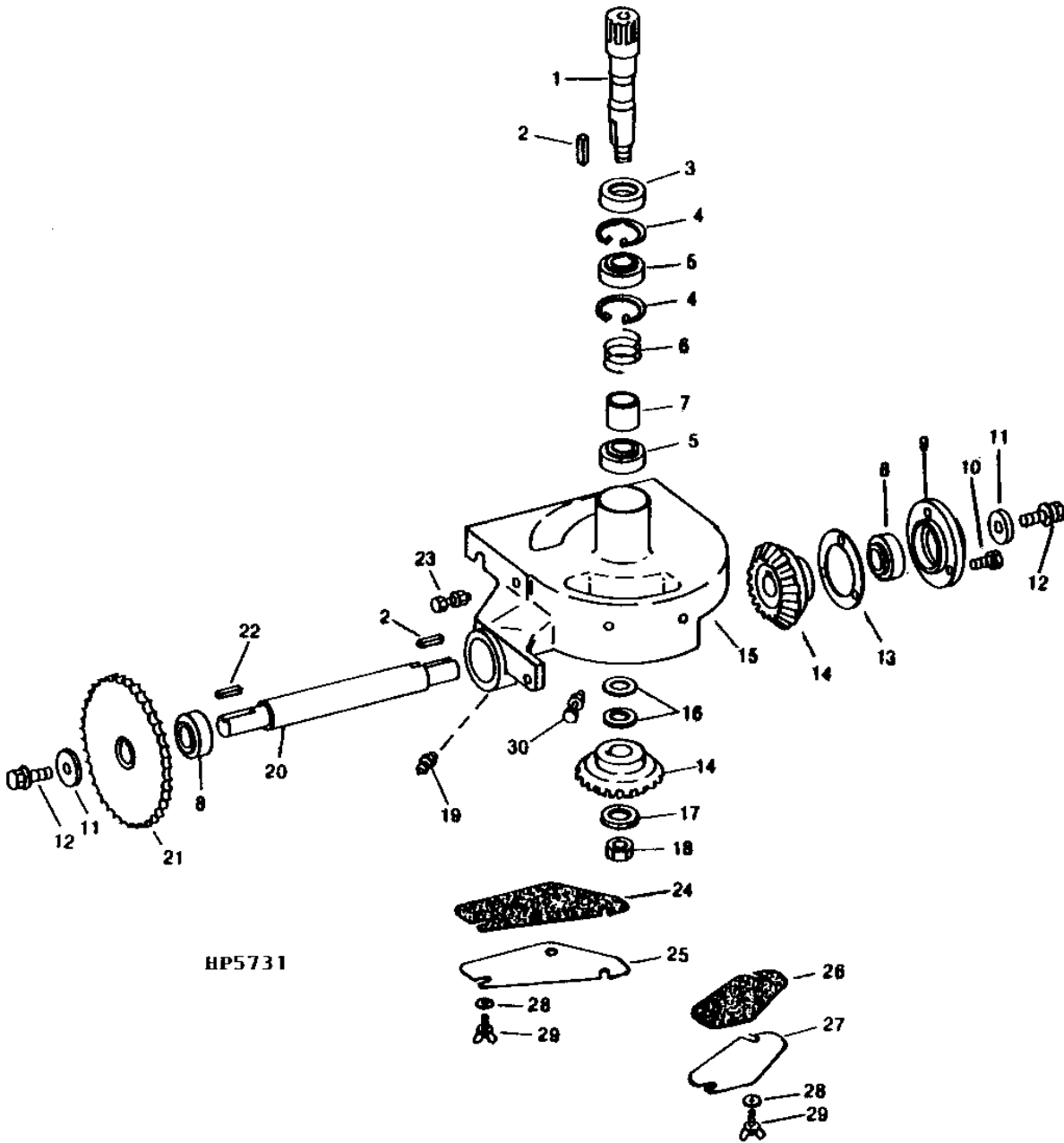
KEY	PART NO.	PART NAME	QTY	SERIAL NO. OR YEAR	REMARKS
1	19M7867	SCREW	AR	M8 X 25	
2	B27370	WASHER	AR	8.331 X 19.050 X 0.914 MM (21/64" X 3/4" X 0.036")	
3	14M7396	LOCK NUT	AR	M8	
4	AH200251	PANEL	1	FRONT CENTER	
5	AH122265	PANEL	1	R.H. FRONT	
6	03M7184	BOLT	AR	M8 X 20	
	14M7298	FLANGE NUT	AR	M8	
7	AH135227	PANEL	1	R.H.	
8	03M7184	BOLT	6	M8 X 20	
9	H127250	REINFORCEMENT	1	R.H. FRONT CORNER	
10	H131531	NUT	6	(SUB M84309)	
	M84309	NUT	6		
11	14M7020	WING NUT	6	M8	
12	H125753	BRACKET	1	R.H. REAR CORNER	
13	AH200252	PANEL	1	REAR	
14	H125752	BRACKET	1	L.H. REAR CORNER	
15	H125670	HINGE	1		
16	H125672	PIN	1		
17	H129825	BRACKET	2		
18	19M7866	SCREW	AR	M8 X 20	
	14M7298	FLANGE NUT	AR	M8	
19	AH135225	PANEL	1	L.H.	
20	H125671	PANEL	1	L.H. OUTER	
21	AH122264	PANEL	1	L.H. FRONT	

2J1

FC: 5552

GRAIN TANK AND UNLOADING AUGER

VERTICAL AUGER LOWER GEAR CASE
HP5731 -UN-01JAN94



HP5731

VERTICAL AUGER LOWER GEAR CASE - CONTINUED

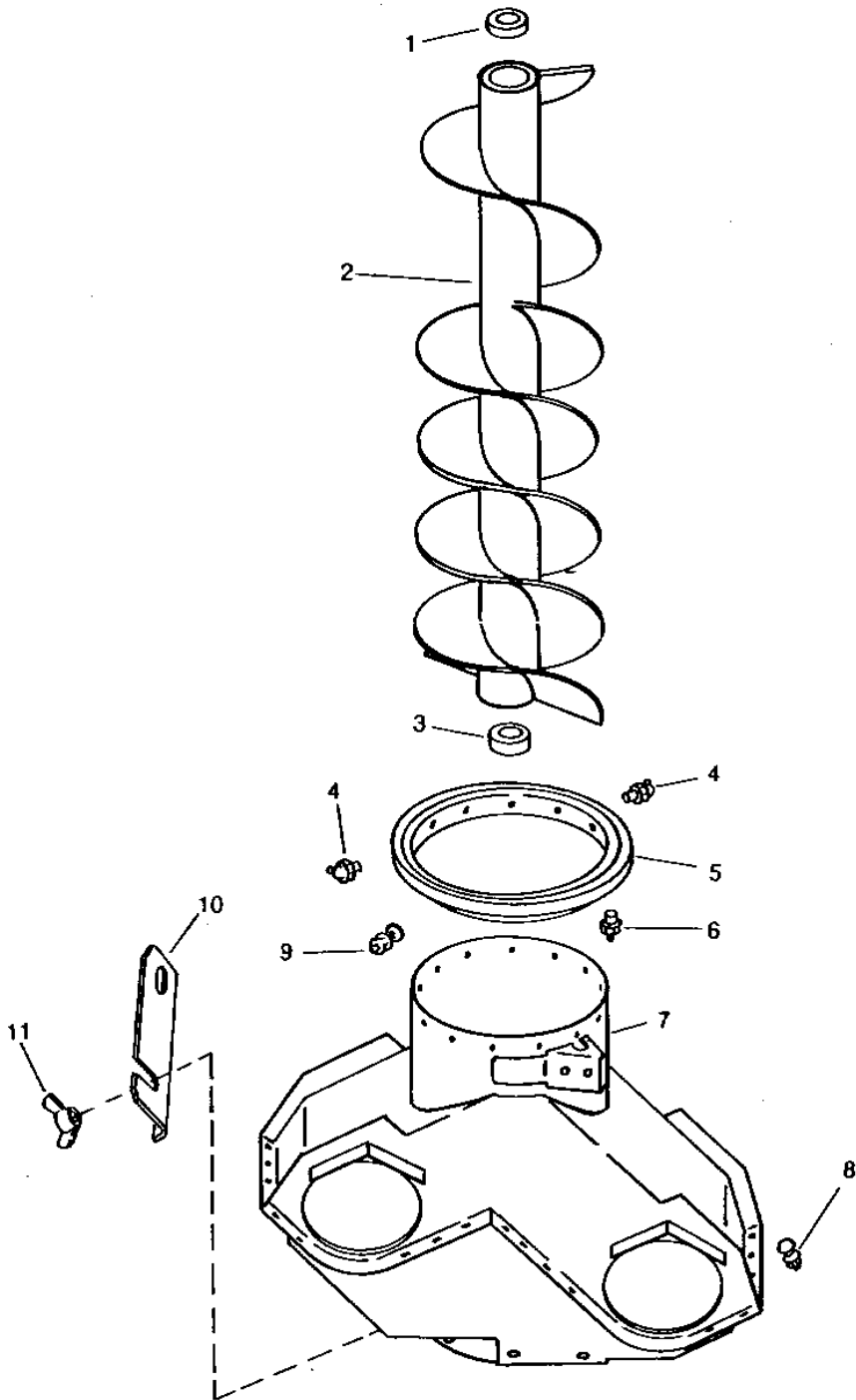
KEY	PART NO.	PART NAME	QTY	SERIAL NO. OR YEAR	REMARKS
1	H96169	SHAFT	1		LOWER
2	KEY	2		10 MM X 10 MM 32 MM (3/8" X 3/8" X 1-1/4") (CUT FROM H64376 IN AH64587 KEY STOCK KIT)
3	AH90963	SEAL	1		
4	N71921	SNAP RING	2		
5	AH96585	BEARING	2		
6	H96267	SPRING	1		
7	H96149	BUSHING	1		
8	JD8524	BEARING	2		
9	H113053	QUILL	1		
10	19M7785	SCREW	3		M10 X 25
11	H129716	WASHER	2		
12	19M7843	SCREW	2		M16 X 35
13	H96297	SHIM	1		0.254 MM (0.010") (SUB AH138955)
	H96298	SHIM	2		0.508 MM (0.020") (SUB AH138955)
	AH138955	KIT	1		
14	H96294	GEAR	2		23 TOOTH
15	H130137	CASE	1		
16	24H1533	SHIM	1		0.018"
	24H1533	SHIM	2	-JAN94 JAN94-	0.018"
17	24H1433	WASHER	1		29/32" X 2-1/4" X 1/4"
18	H29623	LOCK NUT	1		22.225 MM (7/8")
19	JD7778	LUBRICATION FITTING	1		
20	H129653	SHAFT	1		
21	AH125080	DRIVE SPROCKET	1		46 TOOTH
22	KEY	1		10 MM X 10 MM X 38 MM (3/8" X 3/8" X 1-1/2") (CUT FROM H64376 IN AH64587 KEY STOCK)
23	19M7835	SCREW	1		M10 X 35
	14M7296	FLANGE NUT	1		M10
24	H135192	SEAL	1		FRONT
25	H136572	COVER	1		FRONT
26	H135193	SEAL	1		REAR
27	H136573	COVER	1		REAR
28	24M7178	WASHER	5		10.500 X 30 X 2.500 MM
29	21M7236	WING SCREW	5		M10 X 16
30	19M7786	SCREW	8		M10 X 30
	14M7296	FLANGE NUT	8		M10

2J3

FC: 5552

GRAIN TANK AND UNLOADING AUGER

VERTICAL UNLOADING AUGER AND CHARGE HOUSING
HP2945 -UN-01JAN94



HP2945

2J4

FC: 5552

GRAIN TANK AND UNLOADING AUGER

VERTICAL UNLOADING AUGER AND CHARGE HOUSING - CONTINUED

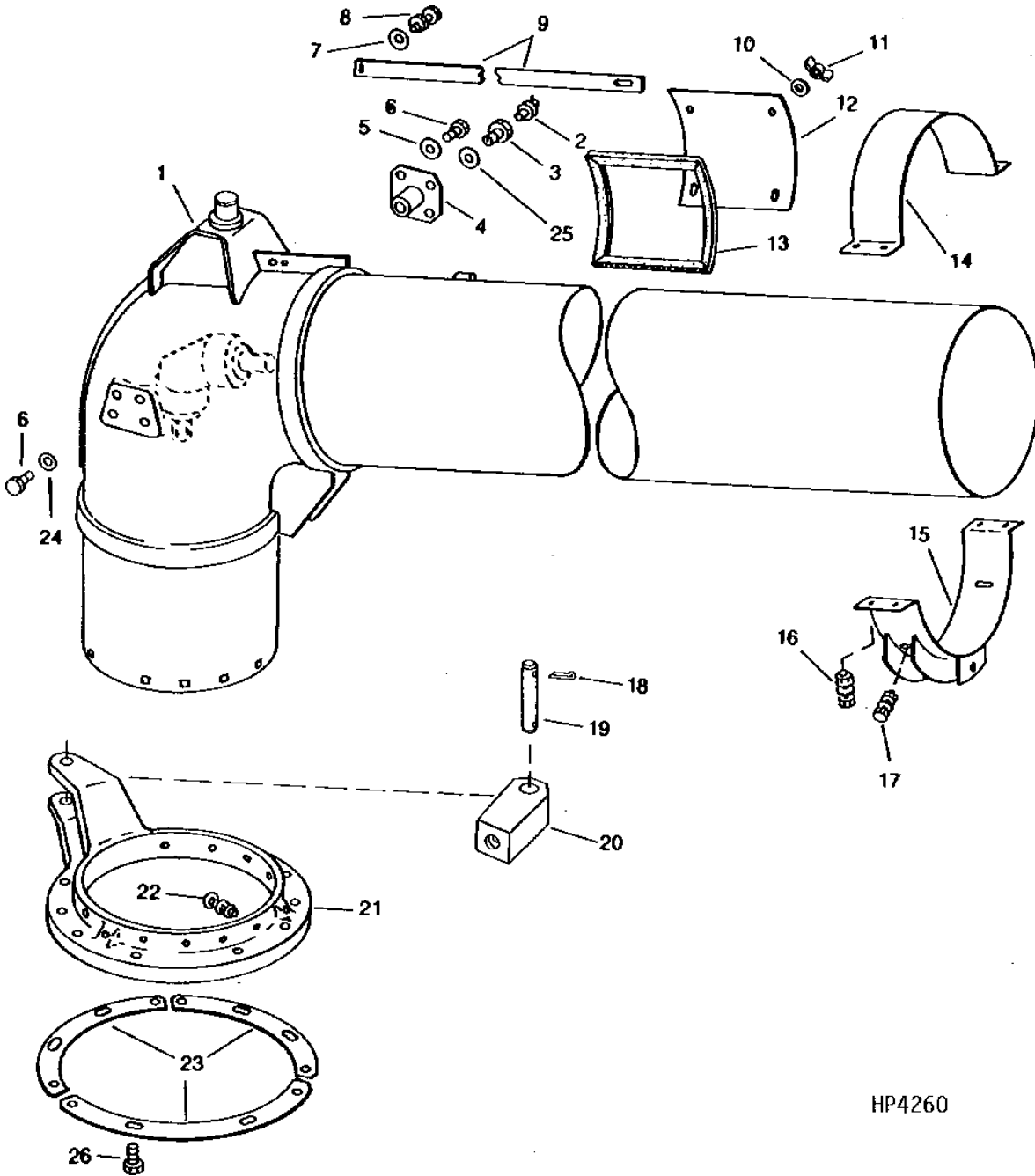
KEY	PART NO.	PART NAME	QTY	SERIAL NO. OR YEAR	REMARKS
1	H128861	SPLINED COUPLING	1		
2	AH124852	AUGER	1		
3	AH124878	EXTERNAL HALF COUPLER	1		
5	H141410	RING	1		
	H129855	RING	1		
7	AH136023	HOUSING	1		
8	03M7190	BOLT	30	M10 X 20	
	14M7296	FLANGE NUT	30	M10	
9	03M7191	BOLT	12	M10 X 25	
	14M7296	FLANGE NUT	12	M10	
10	H130771	PLATE	1		
11	14M7020	WING NUT	2	M8	

2J5

FC: 5552

GRAIN TANK AND UNLOADING AUGER

HORIZONTAL UNLOADING AUGER SWIVEL
HP4260 -UN-01JAN94



HP4260

2J6

FC: 5552

GRAIN TANK AND UNLOADING AUGER

HORIZONTAL UNLOADING AUGER SWIVEL - CONTINUED

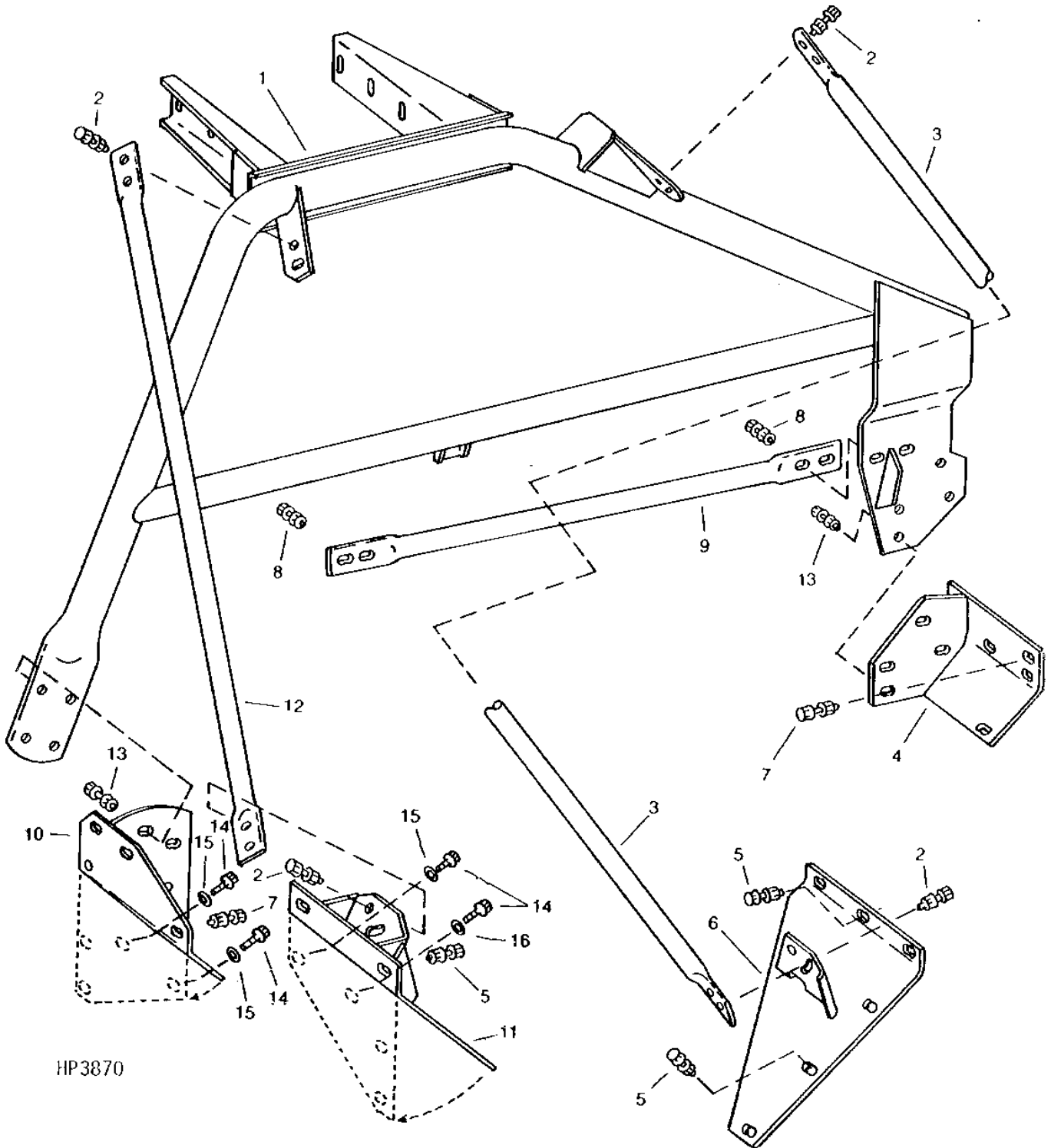
KEY	PART NO.	PART NAME	QTY	SERIAL NO. OR YEAR	REMARKS
1	AH131240	HOUSING	1	(SUB AH131241)	
	AH131241	HOUSING	1	(SUB AH145051)	
	AH145051	HOUSING	1		
2	JD7806	LUBRICATION FITTING	1	90 DEGREE	
3	H96228	SCREW	1		
4	AH123912	SUPPORT	1		
5	12H304	LOCK WASHER	4	3/8"	
6	19H2676	CAP SCREW	4	3/8" X 1"	
7	24H1305	WASHER	1	13/32" X 13/16" X 0.065"	
8	19H1732	CAP SCREW	1	3/8" X 1-1/4"	
	E55662	FLANGE NUT	1	3/8"	
9	H116351	STRAP	1		
10	24H1224	WASHER	4	11/32" X 1" X 1/16", (SUB 24M7207)	
11	14H785	NUT	4	5/16"	
12	H96652	DOOR	1		
13	WEATHERSTRIP	AR	(CUT FROM H81330)	
14	H133178	CLAMP	1		
15	AH136153	STRAP	1		
16	19M7786	SCREW	4	M10 X 30	
	24H1311	WASHER	4	13/32" X 1-1/4" X 0.220"	
	14M7296	FLANGE NUT	4	M10	
17	03M7190	BOLT	2	M10 X 20	
	14M7296	FLANGE NUT	2	M10	
18	11M7038	COTTER PIN	2	6.300 X 40 MM	
19	H138930	PIN	1		
20	H137225	END	1		
21	H137227	RING	1		
22	03M7198	BOLT	12	M12 X 30	
	14M7299	FLANGE NUT	12	M12	
23	H131356	SECTOR	3		
24	24H1308	WASHER	4	13/32" X 1" X 0.134"	
25	12H294	LOCK WASHER	1	5/8"	
26	19M7784	SCREW	12	M10 X 20	

2J7

FC: 5552

GRAIN TANK AND UNLOADING AUGER

AUGER SWIVEL SUPPORT AND BRACES
HP3870 -UN-01JAN94



HP3870

2J8

FC: 5552

GRAIN TANK AND UNLOADING AUGER

AUGER SWIVEL SUPPORT AND BRACES - CONTINUED

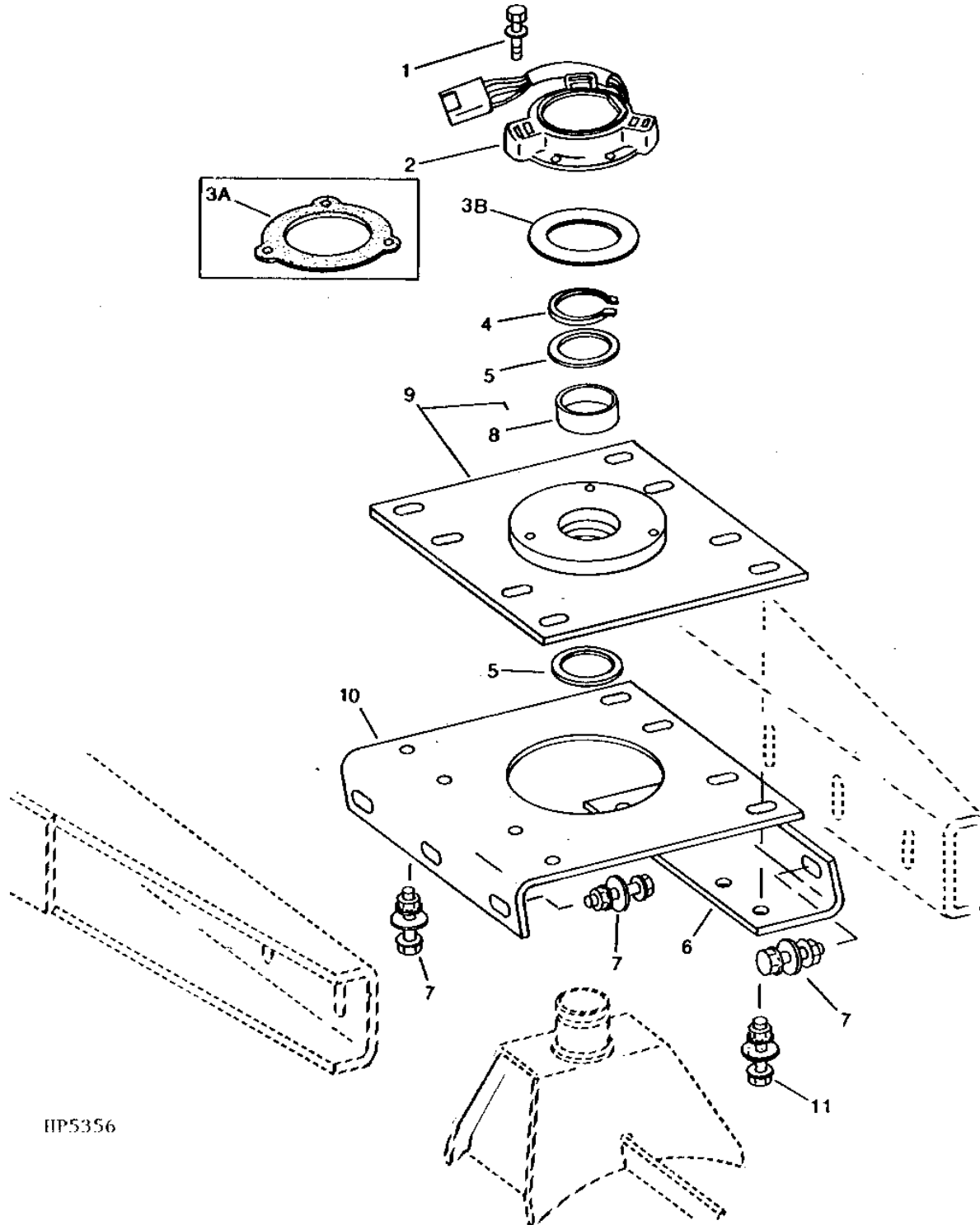
KEY	PART NO.	PART NAME	QTY	SERIAL NO. OR YEAR	REMARKS
1	AH126280	FRAME	1	-JAN91	(SUB AH131559)
	AH131559	FRAME	1		
2	19M7793	SCREW	12		M16 X 40
	14M7291	FLANGE NUT	12		M16
3	H131256	BRACE	1		FRONT
4	AH126281	ANCHOR	1		LEFT HAND FRONT
5	19M7789	SCREW	6		M12 X 30
	14M7299	FLANGE NUT	6		M12
6	AH126283	ANCHOR	1		RIGHT HAND FRONT
7	19M7788	SCREW	6		M12 X 25
	14M7299	FLANGE NUT	6		M12
8	19M7843	SCREW	4		M16 X 35
	14M7291	FLANGE NUT	4		M16
9	H131261	BRACE	1		CHARGE HOUSING
10	AH126282	ANCHOR	1		LEFT HAND REAR
11	AH126284	ANCHOR	1		RIGHT HAND REAR
12	H131259	BRACE	1		REAR
13	19M7793	SCREW	8		M16 X 40
	14M7291	FLANGE NUT	8		M16
14	19M7791	SCREW	4		M12 X 40
15	24H1347	WASHER	3		17/32" X 2" X 0.194"
16	24H1380	WASHER	1		11/16" X 1-3/4" X 0.194", R.H. OUTER

2J9

FC: 5552

GRAIN TANK AND UNLOADING AUGER

HORIZONTAL UNLOADING AUGER HUB SUPPORT AND SWITCH
HP5356 -UN-01JAN94



HP5356

2J10

FC: 5552

GRAIN TANK AND UNLOADING AUGER

HORIZONTAL UNLOADING AUGER HUB SUPPORT AND SWITCH - CONTINUED

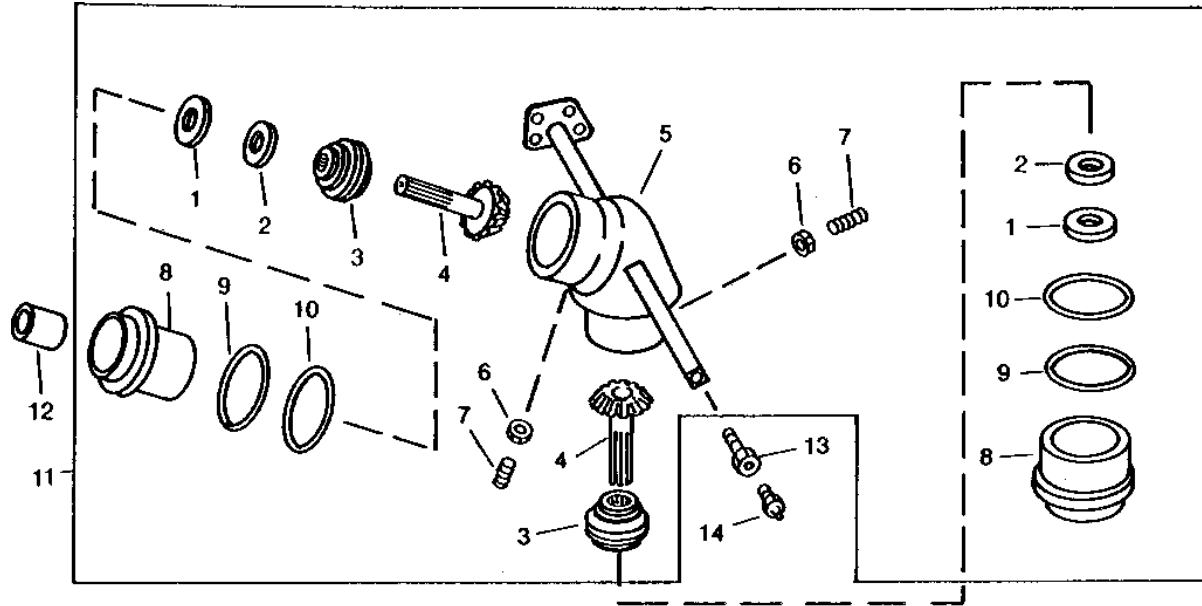
KEY	PART NO.	PART NAME	QTY	SERIAL NO. OR YEAR	REMARKS
1	19M7177	CAP SCREW	3		M6 X 35
	24M7054	WASHER	3		6.400 X 12 X 1.600 MM
2	AH137183	SWITCH	1	-JUN92	(SUB AH140989)
	AH140989	SWITCH	1	-OCT92	
	AH142999	SWITCH	1		INCLUDES H148702 GASKET
3A	H128489	GASKET	1	-SEPT92	(SUB H148702)
3B	H148702	GASKET	1		
4	40M1839	SNAP RING	1	-640400	(SUB 40M7166)
	40M7166	SNAP RING	1		
5	H132097	WASHER	2		
6	H131262	ANGLE	1		HUB MOUNTING
7	19M7790	SCREW	10		M12 X 35
	24M7180	WASHER	10		13 X 37 X 3 MM
	14M7299	FLANGE NUT	10		M12
8	H128479	BUSHING	1		50.800 X 55.580 X 25.400 MM (2" X 2.188" X 1")
9	AH123602	HUB	1		
10	H131263	SUPPORT	1		
11	19M7791	SCREW	4		M12 X 40
	24M7180	WASHER	4		13 X 37 X 3 MM
	14M7299	FLANGE NUT	4		M12
12	AH89557	CLIP	1		

2J11

FC: 5552

GRAIN TANK AND UNLOADING AUGER

HORIZONTAL UNLOADING AUGER DRIVE GEAR CASE
HP5336 -UN-01JAN94



HP5336

KEY	PART NO.	PART NAME	QTY	SERIAL NO. OR YEAR	REMARKS
1	AH98118	SEAL	2		
2	H99613	WASHER	2		
3	AH94661	BEARING	2		(USE WITH H99613) INCLUDES TWO CONES, TWO CUPS AND 2 SPACERS
4	H96148	GEAR	2		18 TEETH, (SUB H149869)
5	H96346	GEAR CASE	1		(SUB H149793) HOUSING ONLY (LESS GEARS)
	H149793	GEAR CASE	1		
6	14H732	NUT	4	3/8"	
7	22H845	SET SCREW	4	3/8" X 3/4"	
8	H96345	QUILL	2		
9	SHIM	4		(SUB AH139072)
10	SHIM	2		(SUB AH139072)
11	AH124509	GEAR CASE	1		
12	N72989	BUSHING	1		32.156 X 41.275 X 28.448 MM (1-17/64" X 1-5/8" X 1.120")
13	H96228	SCREW	1		15.875 X 63.500 MM (5/8" X 2-1/2")
	12H294	LOCK WASHER	1		15.875 MM (5/8")
14	JD7797	LUBRICATION FITTING	1		1/4", STRAIGHT

FC: 0000

GRAIN TANK AND UNLOADING AUGER

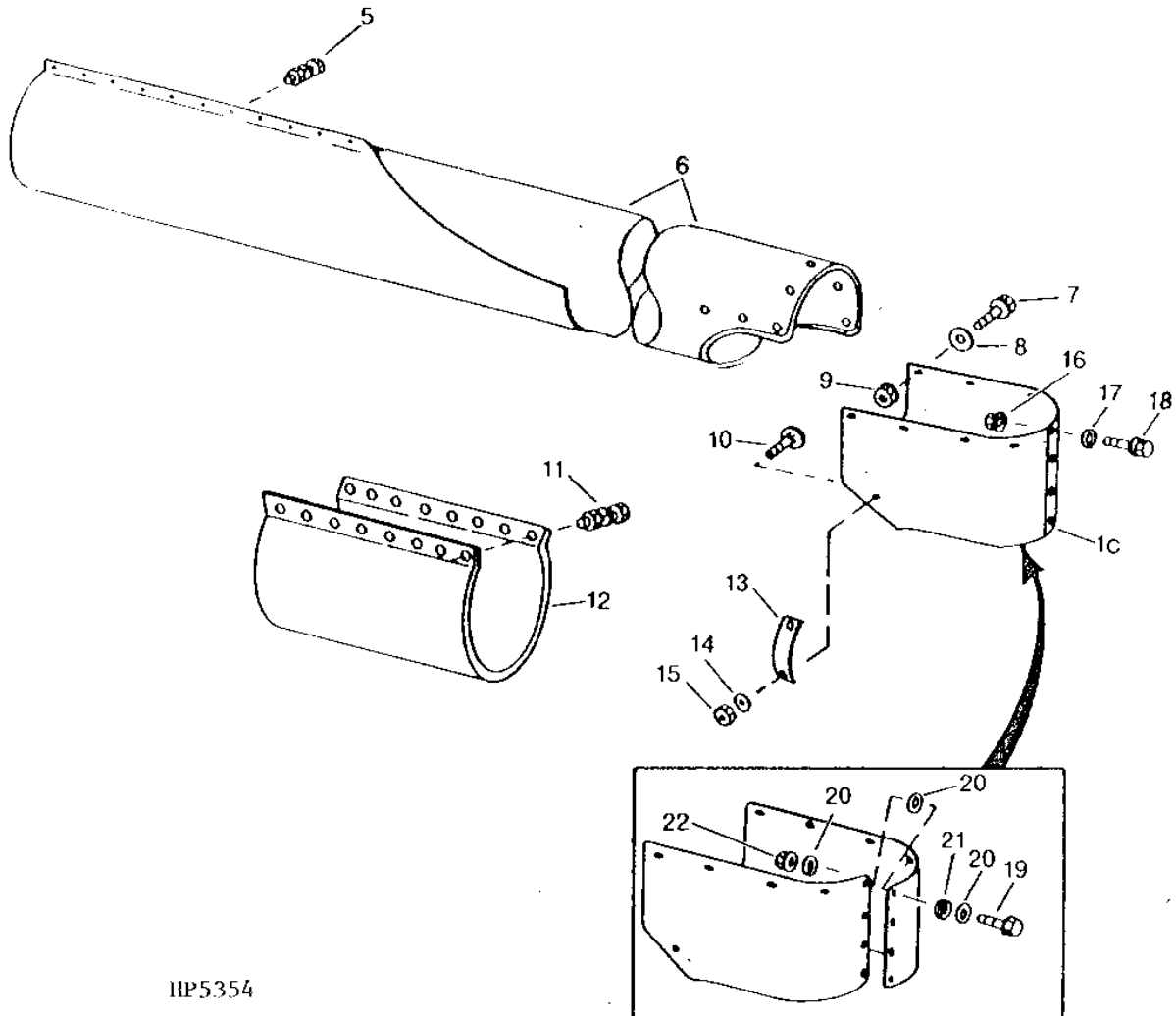
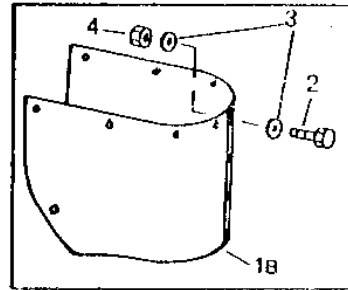
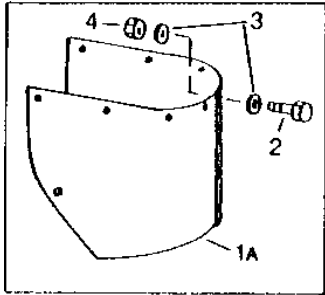
MEMORANDA

2J12

FC: 5552

GRAIN TANK AND UNLOADING AUGER

HORIZONTAL UNLOADING AUGER HOUSING
(14 FT. AND 17 FT.)
HP5354 -UN-01JAN94



HP5354

2J13

FC: 5552

GRAIN TANK AND UNLOADING AUGER

HORIZONTAL UNLOADING AUGER HOUSING - CONTINUED (14 FT. AND 17 FT.)

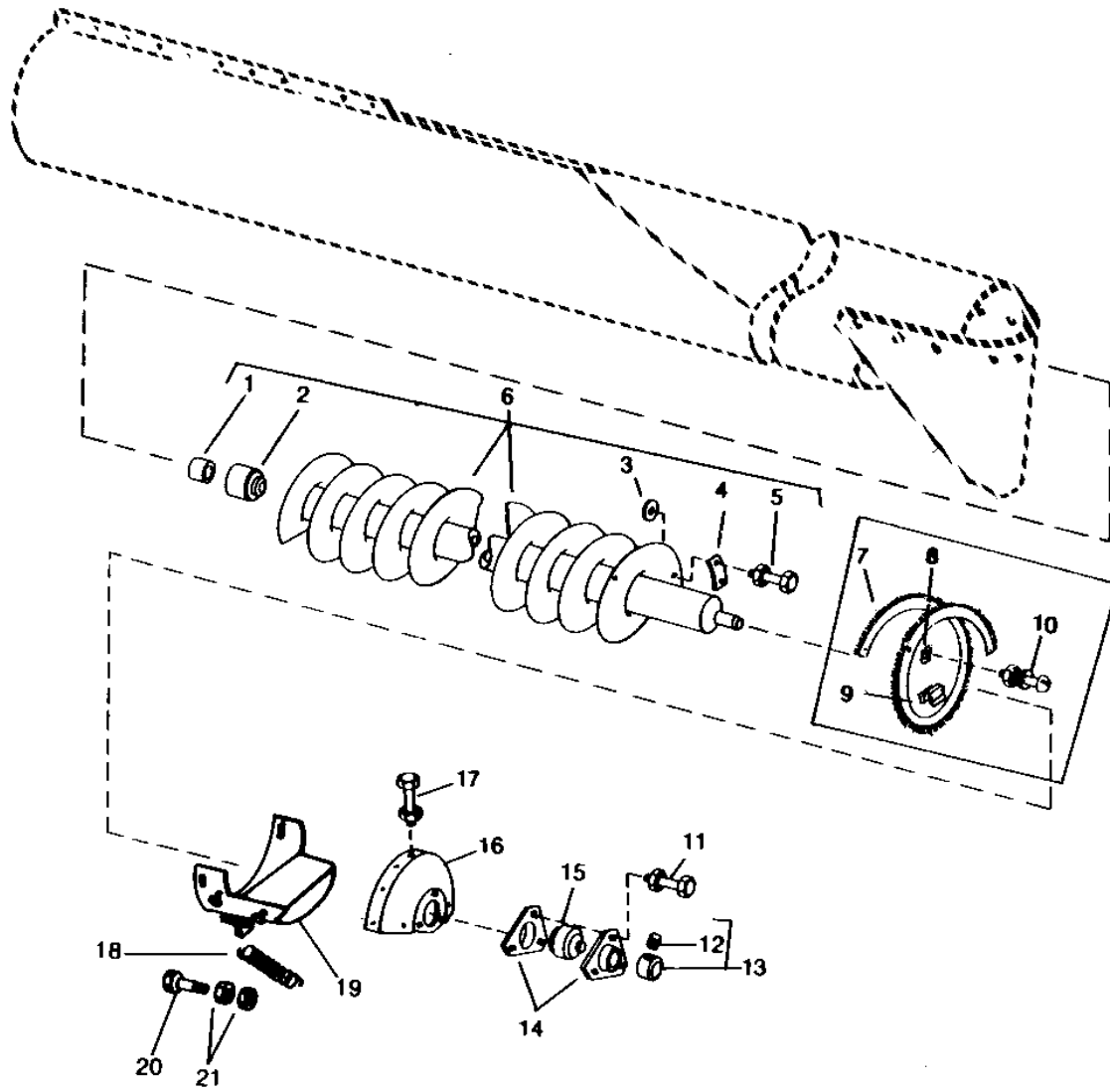
KEY	PART NO.	PART NAME	QTY	SERIAL NO.	REMARKS
1A	H109093	SPOUT	1	-640400	
1B	H141449	SPOUT	1	640401-	
1C	H149780	SPOUT	1		
2	19M7867	SCREW	4	640401-	M8 X 25
3	24H1291	WASHER	8	640401-	21/64" X 1-15/32" X 7/64"
4	14M7298	FLANGE NUT	4	640401-	M8
5	19M7868	SCREW	7		M8 X 30
	14M7298	FLANGE NUT	7		M8
6	AH122874	HOUSING	1	-SEPT94	(SUB AH145047) SOLID (2755 MM LONG) (USE WITH 14 FT. AUGER)
	AH145047	HOUSING	1		
	AH129066	HOUSING	1	-APR91	SOLID (3670 MM LONG) (USE WITH 17 FT. AUGER)
	AH140334	HOUSING	1	-SEPT94	(SUB AH145049) SOLID (3670 MM LONG) (USE WITH 17 FT. AUGER)
	AH145049	HOUSING	1		
	AH122875	HOUSING	1	-SEPT94	(SUB AH145048) PERFORATED (2755 MM LONG) (USE WITH 14 FT. AUGER)
	AH145048	HOUSING	1		
	AH128682	HOUSING	1	-APR91	PERFORATED (3670 MM LONG) (USE WITH 17 FT. AUGER)
	AH140335	HOUSING	1		PERFORATED (3670 MM LONG) (USE WITH 17 FT. AUGER)
7	19M7867	SCREW	8		M8 X 25
8	24M7207	WASHER	8		8.400 X 24 X 2 MM
9	14M7298	FLANGE NUT	8		M8
10	03M7184	BOLT	2	640401-	M8 X 20
11	19M7897	SCREW	7		M8 X 35
	14M7298	FLANGE NUT	7		M8
12	H127998	COVER	1		(USE WITH PERFORATED AUGER HOUSING)
13	H141450	STRAP	1	640401-	
14	24H1291	WASHER	4		21/64" X 1-15/32" X 7/64"
15	14M7298	FLANGE NUT	2		M8
16	14M7298	FLANGE NUT	1		M8
17	24H1291	WASHER	1		21/64" X 1-15/32" X 7/64"
18	19M7867	SCREW	1		M8 X 25
19	19M7863	SCREW	3		M6 X 25
20	24H1291	WASHER	9		21/64" X 1-15/32" X 7/64"
21	28H5	WASHER	3		0.269" X 0.405" X 1/4"
22	14M7303	FLANGE NUT	3		M6

2J14

FC: 5552

GRAIN TANK AND UNLOADING AUGER

HORIZONTAL UNLOADING AUGER
(14- AND 17-FT. (1) PIECE AUGERS)
HP5883 -UN-15OCT94



HP5883

2J15

FC: 5552

GRAIN TANK AND UNLOADING AUGER

HORIZONTAL UNLOADING AUGER - CONTINUED (14 AND 17 FT. (1) PIECE AUGERS)

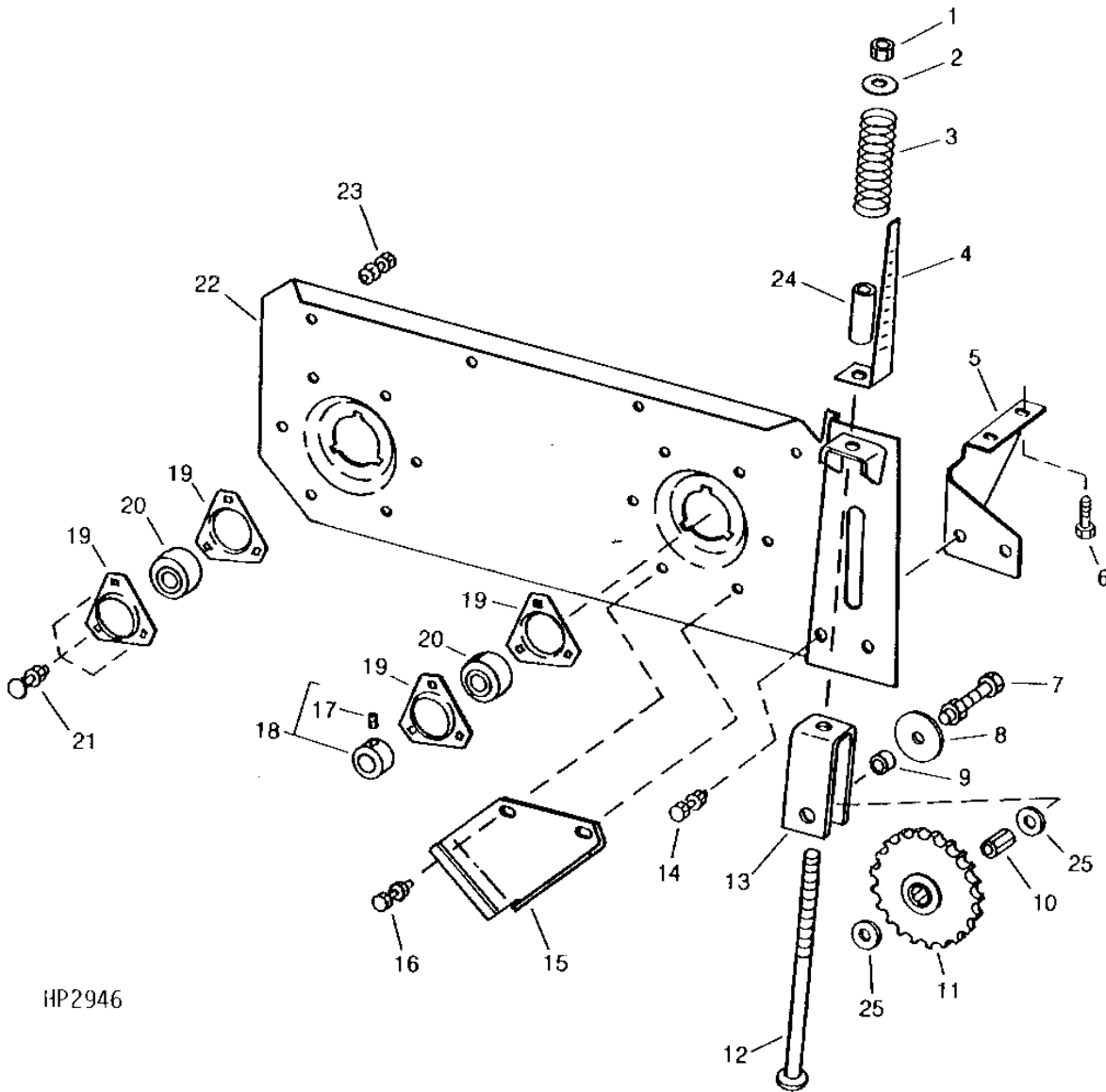
KEY	PART NO.	PART NAME	QTY	SERIAL NO.	REMARKS
1	N72989	BUSHING	1		
2	AH122717	GUDGEON	1		(14 FT. ONLY) FOR AUGER REPAIR ONLY
	H127921	SPLINED COUPLING	1		W/O WASHER (17 FT. ONLY) FOR AUGER REPAIR ONLY
3	24H1300	WASHER	AR		25/64" X 2" X 0.220"
	24H1311	WASHER	AR		13/32" X 1-1/4" X 0.220"
4	H119566	STRIP	AR		100 MM (4") LONG
	H119567	STRIP	AR		120 MM (5") LONG
	H119568	STRIP	AR		150 MM (6") LONG
5	03H1495	BOLT	AR		3/8" X 1-1/2"
	03H1557	BOLT	AR		3/8" X 1-1/4"
	K40003	LOCK NUT	AR		
6	AH123436	AUGER	1	-JUL92	(14 FT.) INCLUDES AH122717 AND H127921
	AH132032	AUGER	1		(14 FT.) INCLUDES AH122717 AND H127921
	AH123437	AUGER	1	-640400	(17 FT.) INCLUDES AH122717 AND H127921
	AH132033	AUGER	1	640400-APR93	(17 FT.) INCLUDES AH122717 AND H127921
	AH143729	AUGER	1		
7	AH111354	SEAL	1	-640400	
8	H113717	CLIP	3	-640400	
9	H114709	CLIP	6	-640400	
10	21H1029	SCREW	3		5/16" X 3/4", (SUB 21H1304)
	12H303	LOCK WASHER	3	-640400	5/16"
	14H785	NUT	3	-640400	5/16"
11	03M7184	BOLT	3		M8 X 20
	14M7298	FLANGE NUT	3		M8
12	22H897	SET SCREW	1		1/4" X 1/4"
13	JD8554	ECCENTRIC LOCKING COLLAR	1		
14	H103264	PRESSED FLANGED HOUSING	2		
15	JD8665	BALL BEARING	1		
16	H96645	CAP	1		
17	19M7866	SCREW	5		M8 X 20
	14M7298	FLANGE NUT	5		M8
18	J18468	SPRING	2	640401-	
19	AH132230	DOOR	1	640401-	(INCLUDES Z24604)
20	19M7868	SCREW	1		M8 X 30
21	14M7298	FLANGE NUT	2		M8

2J16

FC: 5552

GRAIN TANK AND UNLOADING AUGER

CROSS AUGER BEARING PLATE - LEFT-HAND
HP2946 -UN-01JAN94



HP2946

2J17

FC: 5552

GRAIN TANK AND UNLOADING AUGER

CROSS AUGER BEARING PLATE, LEFT-HAND - CONTINUED

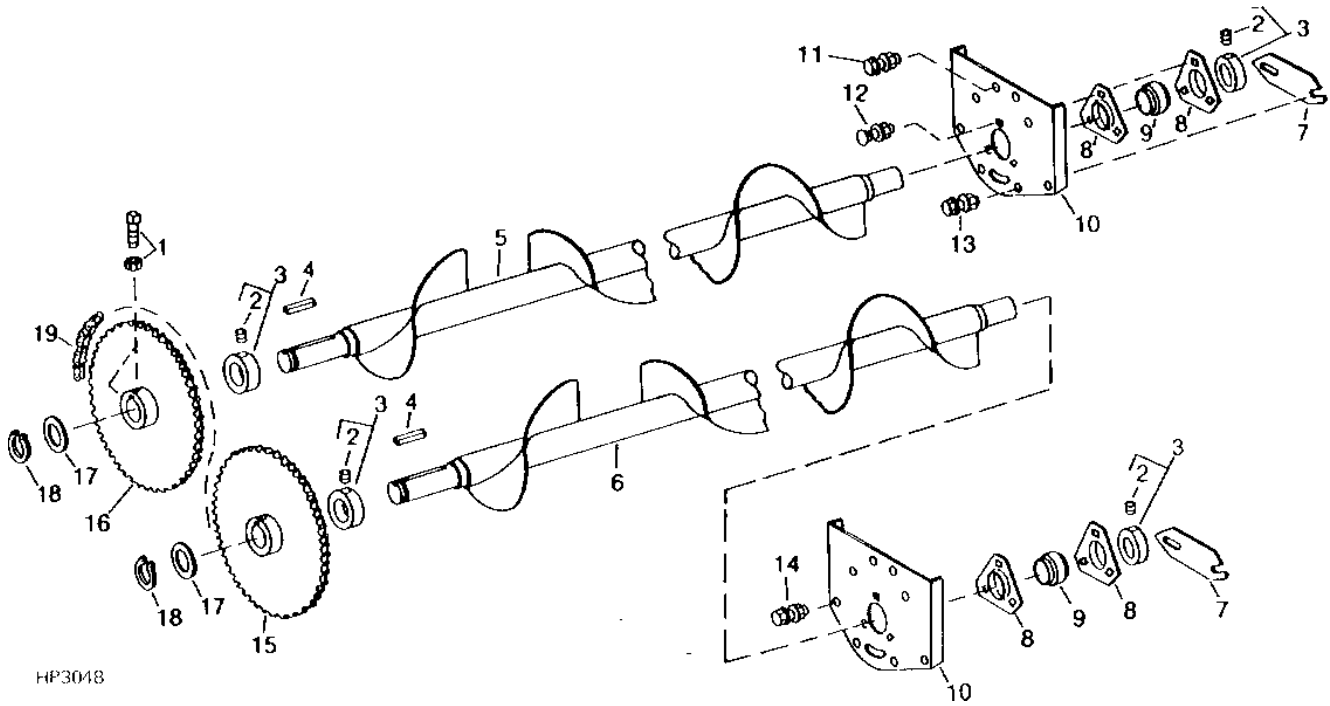
KEY	PART NO.	PART NAME	QTY	SERIAL NO. OR YEAR	REMARKS
1	14M7275	NUT	2	M12	
2	24M7180	WASHER	1	13 X 37 X 3 MM	
3	R35542	SPRING	1		
4	H127923	GAUGE	1		
5	H127922	REINFORCEMENT	1		
6	19M7784	SCREW	2	M10 X 20	
7	19M7364	CAP SCREW	1	M12 X 80	
	14M7299	FLANGE NUT	1	M12	
8	H80228	WASHER	1	0.531" X 76.2" X 0.118"	
9	28H1517	WASHER	1	0.493" X 0.675" X 1/4"	
10	H114395	SPACER	1		
11	AH106606	CHAIN SPROCKET	1	24-TOOTH	
12	H119997	BOLT	1		
13	H119996	CHANNEL	1	IDLER SUPPORT	
14	19M7866	SCREW	2	M8 X 20	
	14M7298	FLANGE NUT	2	M8	
15	H133579	STOP	1		
16	19M7866	SCREW	4	M8 X 20	
	14M7396	LOCK NUT	4	M8	
17	22M7081	SET SCREW	2	M10 X 10	
18	AH133191	ECCENTRIC LOCKING COLLAR	2		
19	H103265	PRESSED FLANGED HOUSING	4		
20	AH134682	BALL BEARING	2	-JAN91	(SUB JD39104)
	JD39104	BALL BEARING	2		
21	03M7191	BOLT	6	M10 X 25	
	14M7296	FLANGE NUT	6	M10	
22	AH125068	SUPPORT	1	-645400	(SUB AH140003)
	AH140003	SUPPORT	1		
23	19M7784	SCREW	12	M10 X 20	
	14M7296	FLANGE NUT	12	M10	
24	H116161	HOSE	1		
25	24M7242	WASHER	2	21.400 X 42 X 5 MM	

2J18

FC: 5552

GRAIN TANK AND UNLOADING AUGER

GRAIN TANK CROSS AUGERS
HP3048 -UN-01JAN94



HP3048

2J19

FC: 5552

GRAIN TANK AND UNLOADING AUGER

GRAIN TANK CROSS AUGERS - CONTINUED

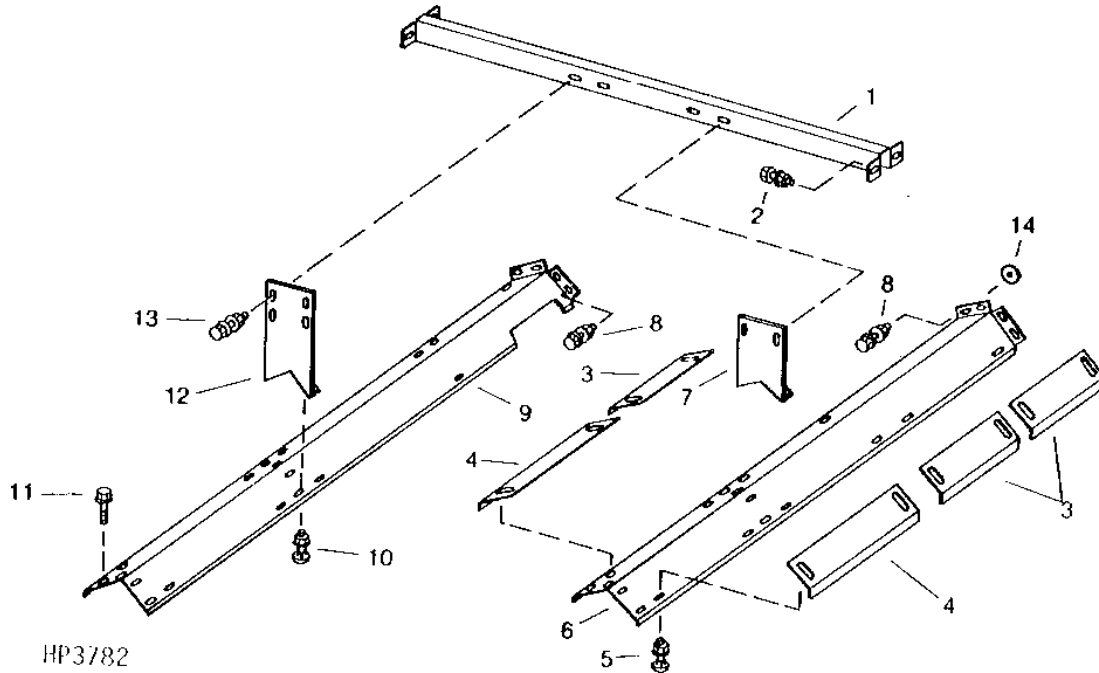
KEY	PART NO.	PART NAME	QTY	SERIAL NO. OR YEAR	REMARKS
1	H138435	SET SCREW	4		
	14M7152	NUT	4	M10	
2	22M7081	SET SCREW	4	M10 X 10	
3	AH133191	ECCENTRIC LOCKING COLLAR	4		
4	SHAFT KEY	2		10 X 8 X 40 MM (IN AH141142 KEY STOCK KIT) (CUT FROM H150270)
5	AH125645	AUGER	1	-APR92	(SUB AH138398) FRONT
	AH138398	FLIGHT	1		
6	AH125646	AUGER	1	-645400	(SUB AH138399) REAR
	AH138399	FLIGHT	1		
7	H102909	COVER	2		
8	H103265	PRESSED FLANGED HOUSING	4		
9	AH134682	BALL BEARING	2	-JAN91	(SUB JD39104)
	JD39104	BALL BEARING	2		
10	H126280	REINFORCEMENT	2		BEARING PLATE - R.H.
11	19M7784	SCREW	8		M10 X 20
	14M7296	FLANGE NUT	8		M10
12	03M7190	BOLT	3		M10 X 20
	14M7296	FLANGE NUT	3		M10
13	19M7866	SCREW	4		M8 X 20
	14M7396	LOCK NUT	4		M8
14	19M7866	SCREW	4		M8 X 20
	14M7298	FLANGE NUT	4		M8
15	AH125070	CHAIN SPROCKET	1		49 - TOOTH (REAR), REGULAR
	AH140001	CHAIN SPROCKET	1		60-TOOTH (REAR), SLOW
16	AH126705	CHAIN SPROCKET	1	-MAR93	(SUB AH125070) 52 - TOOTH
	AH125070	CHAIN SPROCKET	1		49 -TOOTH
17	24H1511	WASHER	4		1-13/32" X 1-3/4" X 0.060"
18	40M7046	SNAP RING	1		
19	ROLLER CHAIN	1		ROLLER, TYPE 60H - 19 MM (3/4") PITCH, 200 LINKS (ASSEMBLE FROM (1) AH18484, 199 LINKS, AND (1) BP13029)

2J20

FC: 5552

GRAIN TANK AND UNLOADING AUGER

CROSS AUGER COVERS AND CHANNEL
HP3782 -UN-01JAN94



KEY	PART NO.	PART NAME	QTY	SERIAL NO. OR YEAR	REMARKS
1	H126801	CHANNEL	1		
2	19M7784	SCREW	4	M10 X 20	
	14M7296	FLANGE NUT	4	M10	
3	H129472	COVER	5	SMALL ADJUSTABLE	
4	H129471	COVER	4	LARGE ADJUSTABLE	
5	03M7183	BOLT	20	M8 X 16	
	14M7298	FLANGE NUT	20	M8	
6	H129465	COVER	1	REAR	
7	H126802	SUPPORT	1	REAR COVER	
8	19M7784	SCREW	8	M10 X 20	
	14M7296	FLANGE NUT	8	M10	
9	H129464	COVER	1	FRONT	
10	03M7183	BOLT	8	M8 X 16	
	14M7298	FLANGE NUT	8	M8	
11	37M7058	SCREW	8	M8 X 20, (THREAD ROLLING)	
12	H126804	SUPPORT	1	FRONT COVER	
13	19M7865	SCREW	4	M8 X 16	
	14M7298	FLANGE NUT	4	M8	
14	H141123	NUT	8		

FC: 0000

GRAIN TANK AND UNLOADING AUGER

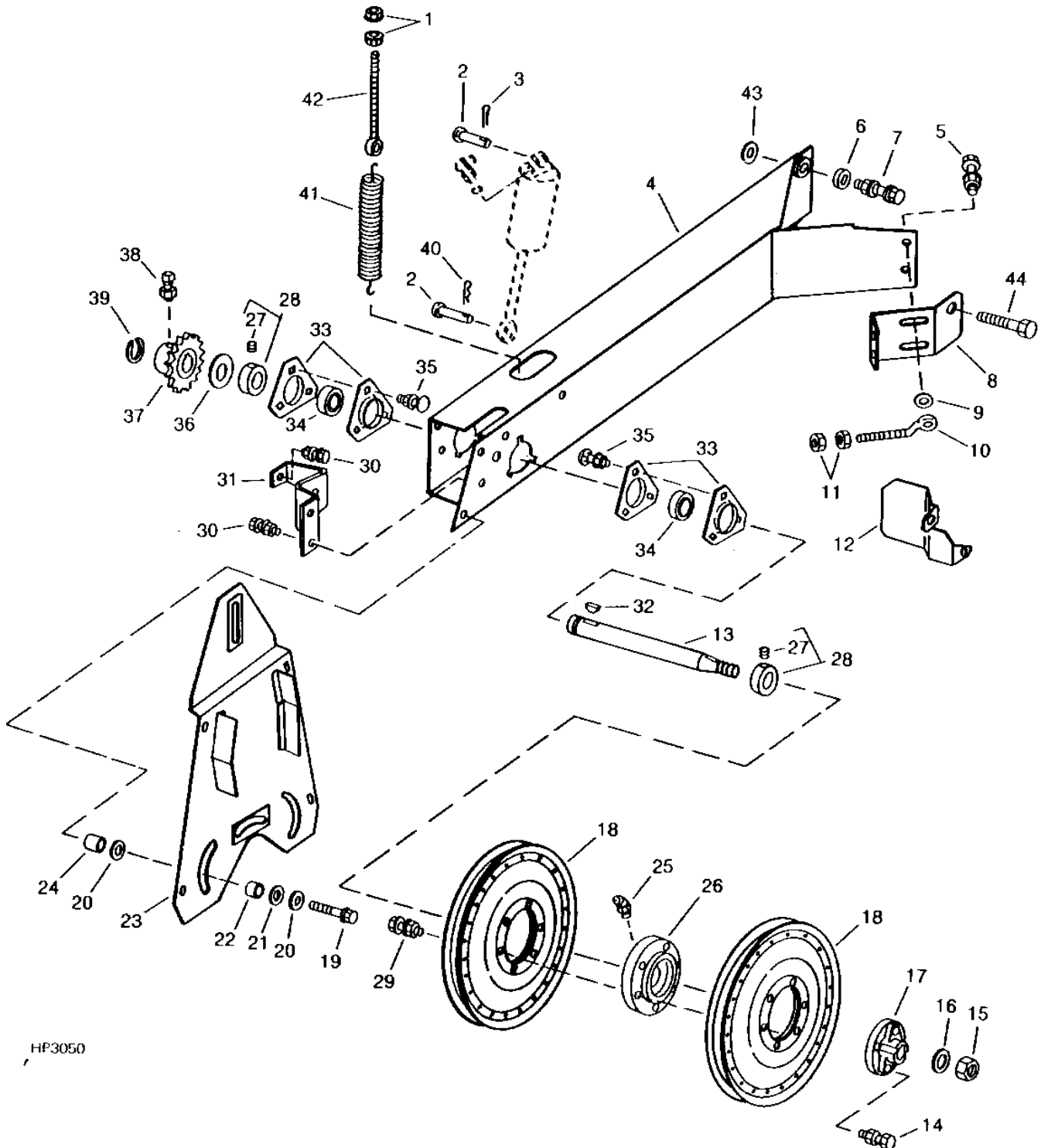
MEMORANDA

2J21

FC: 5537

GRAIN TANK AND UNLOADING AUGER

UNLOADING AUGER COUNTERSHAFT DRIVE
HP3050 -UN-01JAN94



HP3050

2J22

FC: 5537

GRAIN TANK AND UNLOADING AUGER

UNLOADING AUGER COUNTERSHAFT DRIVE - CONTINUED

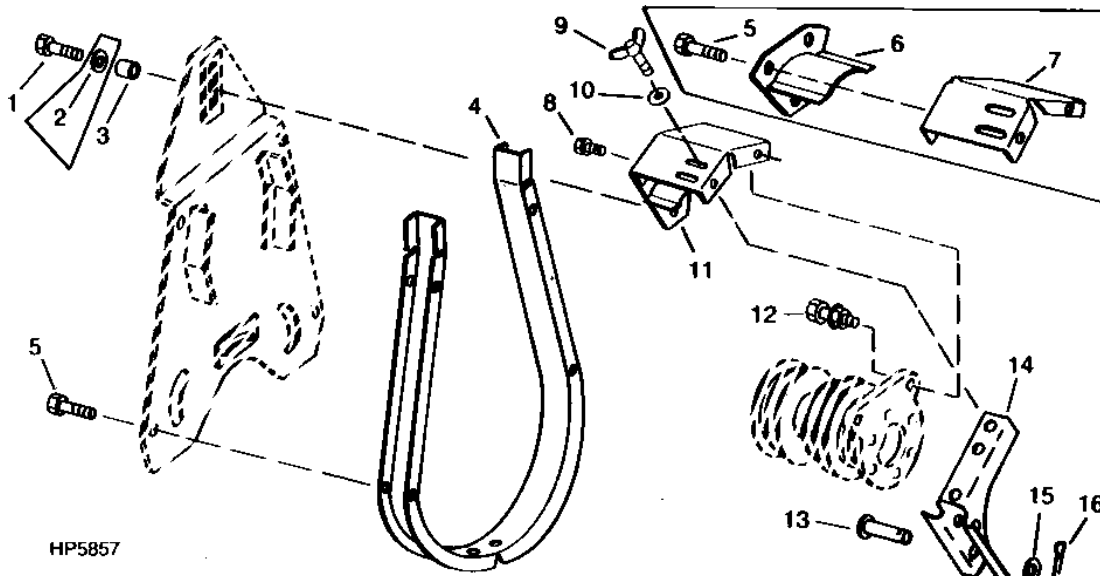
KEY	PART NO.	PART NAME	QTY	SERIAL NO.	REMARKS
1	14M7296	FLANGE NUT	2		
2	H98765	PIN	2		
3	11M7059	COTTER PIN	1		3.200 X 20 MM
4	AH134549	ARM	1	-MAY93	(SUB AH144068)
	AH144068	ARM	1		
5	19M7835	SCREW	2		M10 X 35
	14M7296	FLANGE NUT	2		M10
6	Z33404	SPACER	2		
7	19M7794	SCREW	1		
	14M7291	FLANGE NUT	2		M16
8	AH118993	BRACKET	1		
9	24M7178	WASHER	2		10.500 X 30 X 2.500 MM
10	H116262	EYEBOLT	2		
11	14M7274	NUT	4		M10
12	H137869	SHIELD	1		
13	H133024	COUNTERSHAFT	1		
14	19M7185	CAP SCREW	1		M8 X 60, (SHEAR BOLT)
	E64256	LOCK NUT	1		M8
15	14M7413	LOCK NUT	1		M24
16	24M7091	WASHER	1		26 X 44 X 4 MM
17	H133026	HUB	1		
18	AH106096	PULLEY	2		
19	19M8318	SCREW	3		M8 X 45
20	24M7207	WASHER	6		8.400 X 24 X 2 MM
21	24H1357	WASHER	2		19/32" X 1-5/32" X 0.090", (AT LONG SLOTS ONLY)
22	28H1511	WASHER	3		0.364" X 0.540" X 1/4"
23	AH128861	GUARD	2	-645400	(SUB AH140901)
	AH140901	GUARD	2		
24	28H2531	BUSHING	3		0.546" X 0.840" X 7/8"
25	JD7797	LUBRICATION FITTING	1		
26	H133025	HUB	1		
27	22M7081	SET SCREW	2		M10 X 10
28	AH133191	ECCENTRIC LOCKING COLLAR	2		
29	19M8317	SCREW	6		M8 X 40
	14M7298	FLANGE NUT	6		M8
30	19M7866	SCREW	3		M8 X 20
	14M7298	FLANGE NUT	3		M8
31	H133690	BRACKET	1		
32	26M6787	SHAFT KEY	2		10 X 32 MM, (W00DRUFF)
33	H103265	PRESSED FLANGED HOUSING	4		
34	JD39104	BALL BEARING	2		
35	03M7190	BOLT	6		M10 X 20
	14M7296	FLANGE NUT	6		M10
36	24H1510	WASHER	2		1-13/32" X 1-3/4" X 0.120"
37	AH128075	CHAIN SPROCKET	1		
38	H138435	SET SCREW	2		
	14M7274	NUT	2		M10
39	P44478	SNAP RING	1		
40	J16931	SPRING LOCKING PIN	1		
41	H137814	EXTENSION SPRING	1	-MAR91	(SUB H146310)
	H146310	SPRING	1		
42	H114738	EYEBOLT	1		
43	24H1684	WASHER	2		11/16" X 2" X 0.105"
44	19M7824	SCREW	1		M16 X 60

2J23

FC: 5537

GRAIN TANK AND UNLOADING AUGER

UNLOADING AUGER DRIVE BELT GUIDE
HP5857 -UN-14OCT94



HP5857

KEY	PART NO.	PART NAME	QTY	SERIAL NO.	REMARKS
1	19M7866	SCREW	1		M8 X 20
2	24M7207	WASHER	1		8.400 X 24 X 2 MM
3	24H1623	WASHER	1		7/16" X 3" X 0.220"
4	AH116390	GUIDE	1		
5	19M7865	SCREW	6		M8 X 16, (INTO WELDNUTS)
6	AH125556	GUIDE	1	-DEC92	(SUB AH142295)
7	AH128860	SUPPORT	1		
8	37M7058	SCREW	2		M8 X 20
9	21M7269	WING SCREW	2		M8 X 20
10	24M7207	WASHER	2		8.400 X 24 X 2 MM
11	AH142295	SUPPORT	1		
12	19M7785	SCREW	2		M10 X 25
	14M7296	FLANGE NUT	2		M10
13	45M7042	PIN	1		12 X 50 MM (0.472" X 1.969")
14	AH127604	GUIDE	1		FOR STRAWCHOPPER DRIVE BELT
15	24M7047	WASHER	2		13 X 24 X 2.500 MM (0.512" X 0.945" X 0.098")
16	11M7015	COTTER PIN	2		3.200 X 25 MM (0.126" X 0.984")

FC: 0000

GRAIN TANK AND UNLOADING AUGER

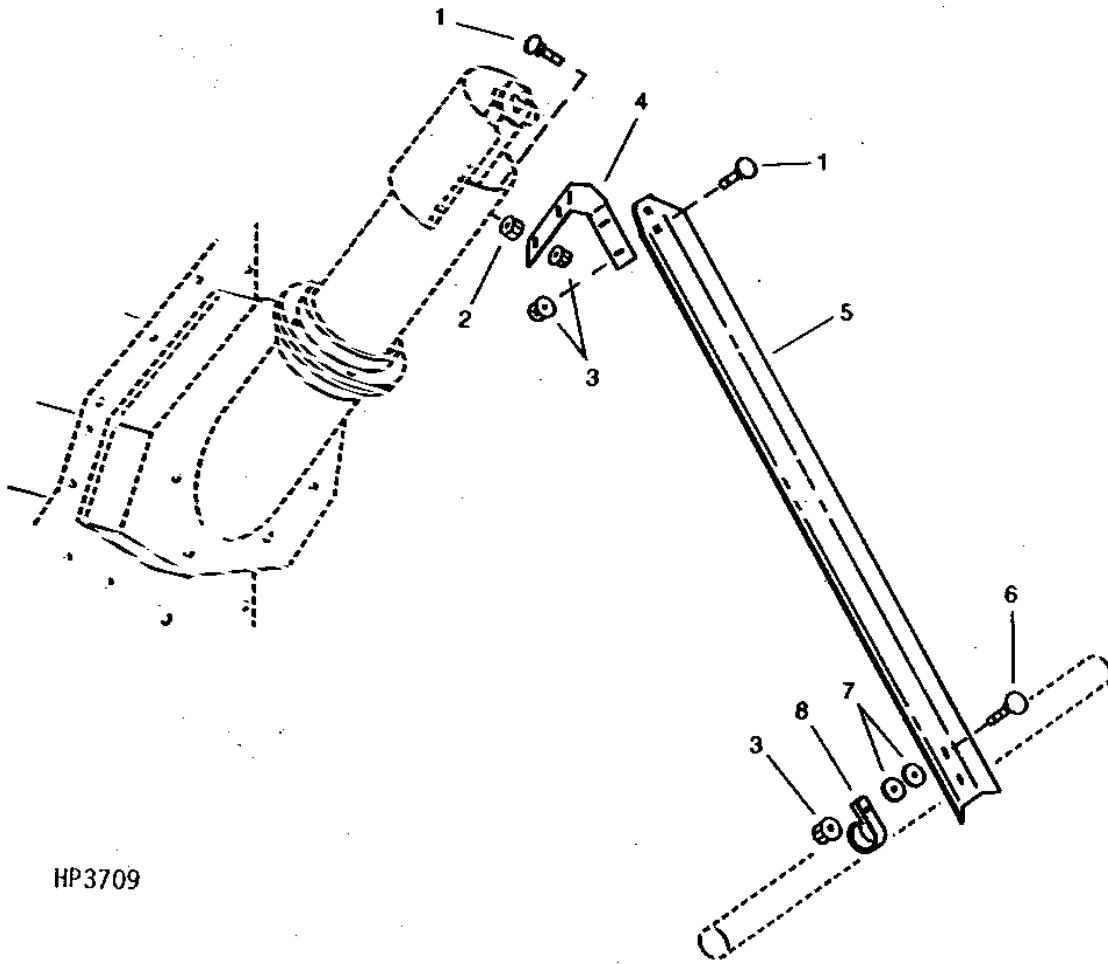
MEMORANDA

2J24

FC: 5551

GRAIN TANK AND UNLOADING AUGER

GRAIN TANK SAMPLING TROUGH
HP3709 -UN-01JAN94



HP3709

2J25

FC: 5551

GRAIN TANK AND UNLOADING AUGER

GRAIN TANK SAMPLING TROUGH - CONTINUED

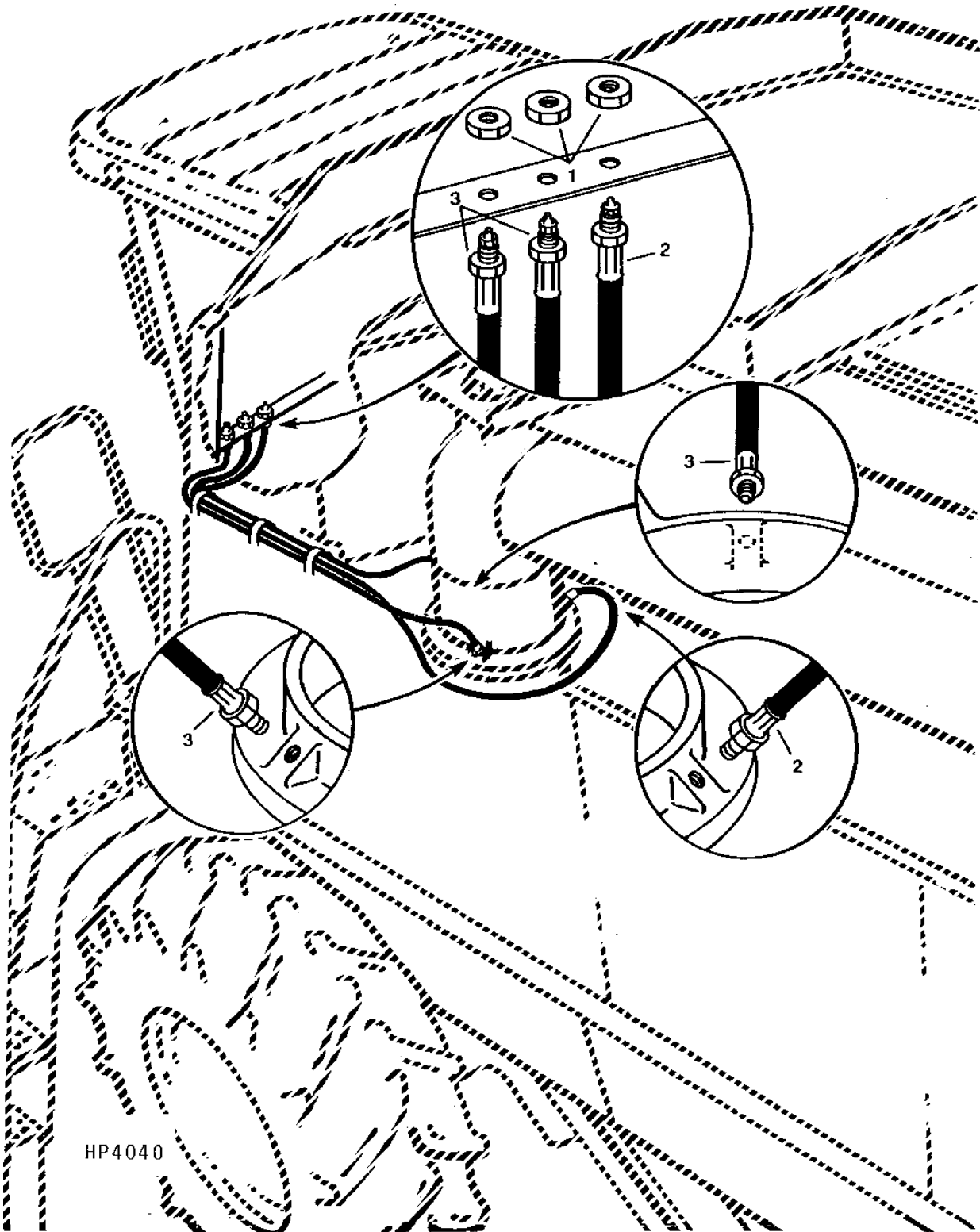
KEY	PART NO.	PART NAME	QTY	SERIAL NO.	REMARKS
1	03M7184	BOLT	4		
2	H131531	NUT	2		
	M84309	NUT	2		(SUB M84309)
3	14M7396	LOCK NUT	4		
4	H136306	BRACKET	1		M8
5	H136304	TROUGH	1		
6	03M7188	BOLT	1		
7	H28031	WASHER	2		
8	AH77714	CLIP	1		

2K1

FC: 5653

GRAIN TANK AND UNLOADING AUGER

UNLOADING AUGER LUBE BANK
HP4040 -UN-01JAN94



HP4040

2K2

FC: 5653

GRAIN TANK AND UNLOADING AUGER

UNLOADING AUGER LUBE BANK - CONTINUED

KEY	PART NO.	PART NAME	QTY	SERIAL NO.	REMARKS
1	E12379	NUT	3		
2	AH136554	HOSE	1		3.175 MM (1/8")
3	AH136553	HOSE	2		

FC: 0000

GRAIN TANK AND UNLOADING AUGER

MEMORANDA

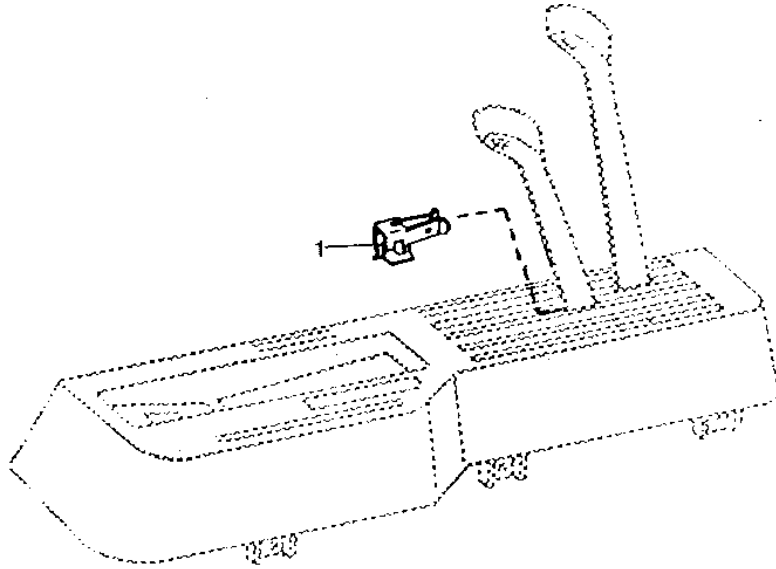
MEMORANDA

2K4

FC: 5281

DIAL-A-MATIC HEADER HEIGHT CONTROL

LEVER SELECTOR LOCK
HP2237 -UN-01JAN94



HP2237

KEY	PART NO.	PART NAME	QTY	SERIAL NO.	REMARKS
1	R52667	LEVER	1		

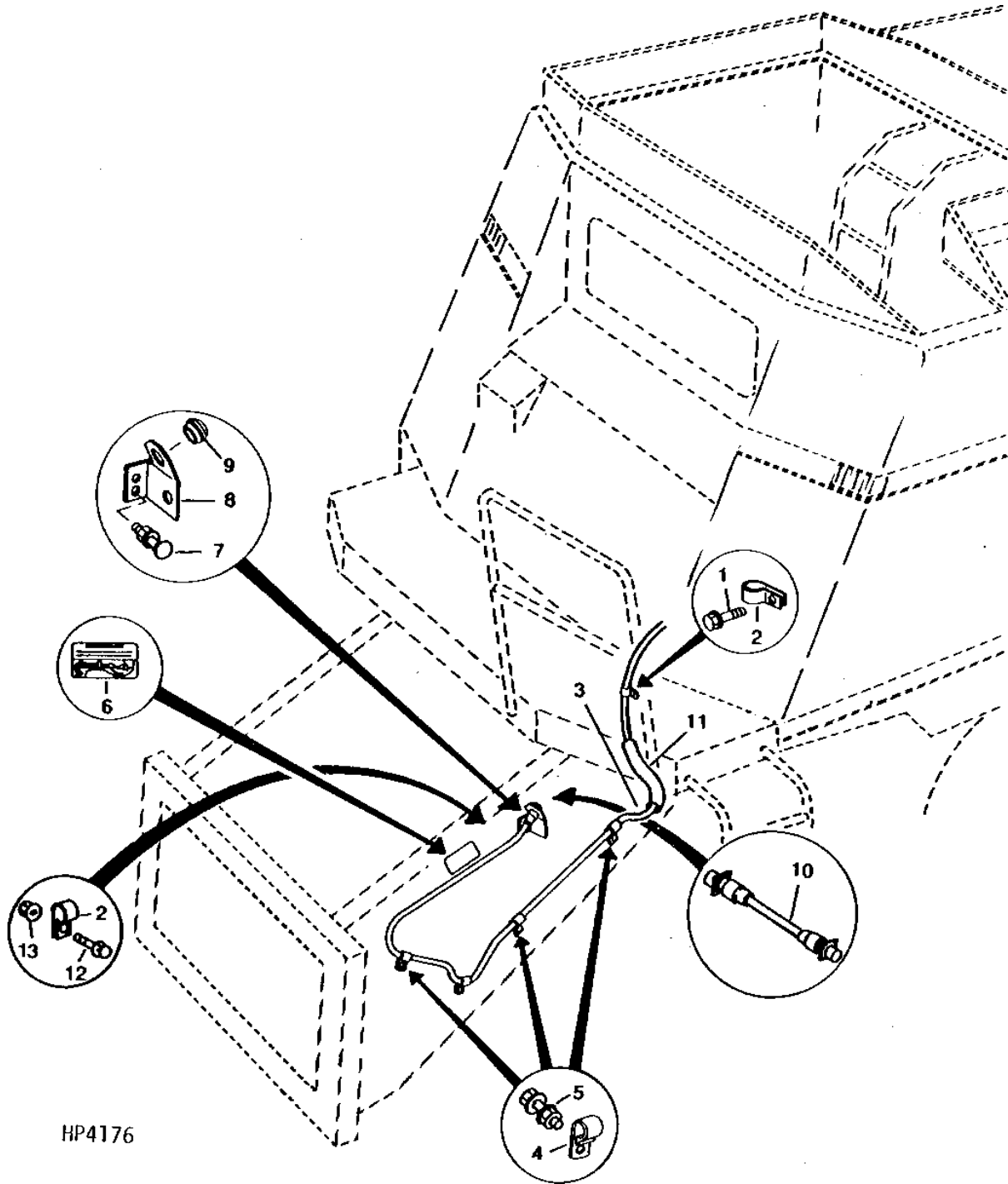
MEMORANDA

2K5

FC: 5281

DIAL-A-MATIC HEADER HEIGHT CONTROL

ELECTRICAL HARNESS
(DIAL-A-MATIC HEADER HEIGHT CONTROL)
HP4176 -UN-01JAN94



HP4176

2K6

FC: 5281

DIAL-A-MATIC HEADER HEIGHT CONTROL

ELECTRICAL HARNESS - CONTINUED (DIAL-A-MATIC HEADER HEIGHT CONTROL)

KEY	PART NO.	PART NAME	QTY	SERIAL NO.	REMARKS
1	37M7083	SCREW	1		M8 X 12
2	AH89557	CLIP	2		
3	AH200280	WIRING HARNESS	1		LH MAIN
4	AH89557	CLIP	3		
5	03M7189	BOLT	3		M8 X 45
	14M7298	FLANGE NUT	3		M8
6	H137939	LABEL	1		"IMPORTANT", (HARNESS AND HOSE STORAGE)
7	03M7183	BOLT	1		M8 X 16
	14M7298	FLANGE NUT	1		M8
8	H134417	BRACKET	1		
9	H130520	CAP	1		(SUB H130520)
10	AH128924	WIRING HARNESS	1		PIGTAIL TO CONNECT FEEDER HOUSE AND 200, 50,OR 50A SERIES ETC. ALSO REQUIRES AH89557 CLAMP, 19M7866 SCREW AND 14M7298 NUT
11	H132800	HOSE	1		SLEEVE FOR PROTECTION
12	19M7866	SCREW	1		
13	14M7298	FLANGE NUT	1		

FC: 0000

DIAL-A-MATIC HEADER HEIGHT CONTROL

MEMORANDA

FC: 0000

DECALS, BELTS AND CHAINS

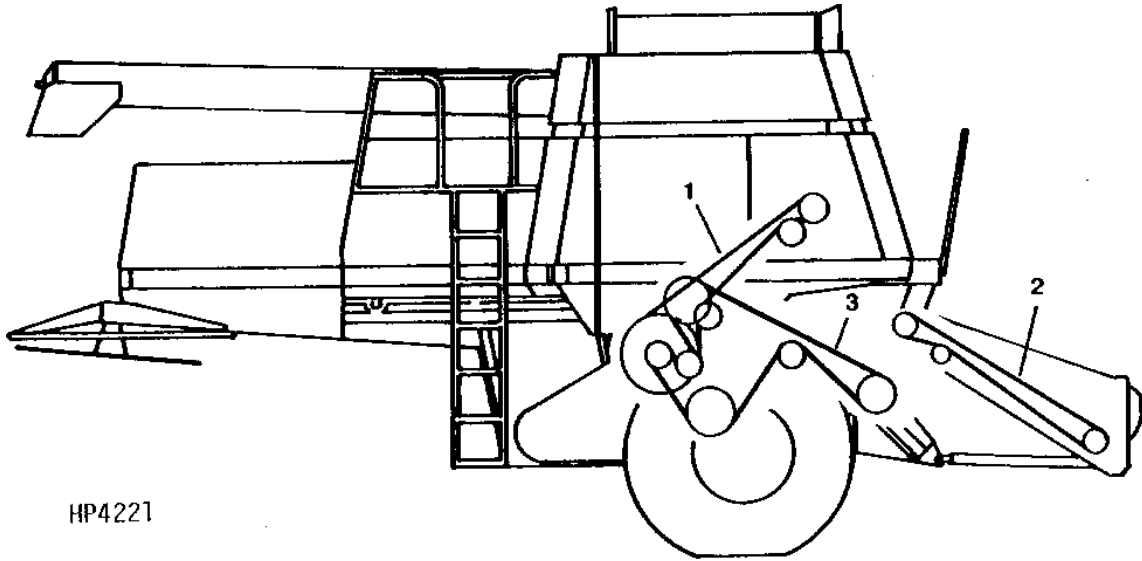
MEMORANDA

2K8

FC: 5734

DECALS, BELTS AND CHAINS

SECONDARY COUNTERSHAFT, FEEDER CONVEYOR, SHOE, STRAW WALKER AND CONVEYOR AUGERS
 HP4221 -UN-01JAN94



HP4221

KEY	PART NO.	PART NAME	QTY	SERIAL NO. OR YEAR	REMARKS
1	H128010	BELT	1		SECONDARY COUNTERSHAFT
2	ROLLER CHAIN	1		FEEDER CONVEYOR CHAIN (ROLLER, TYPE 60, 19MM (3/4"), 223 LINKS, ASSEMBLE FROM (4) AB1288H AND AB1289H)
3	H131169	BELT	1		SHOE, STRAW WALKER AND CONVEYOR AUGERS

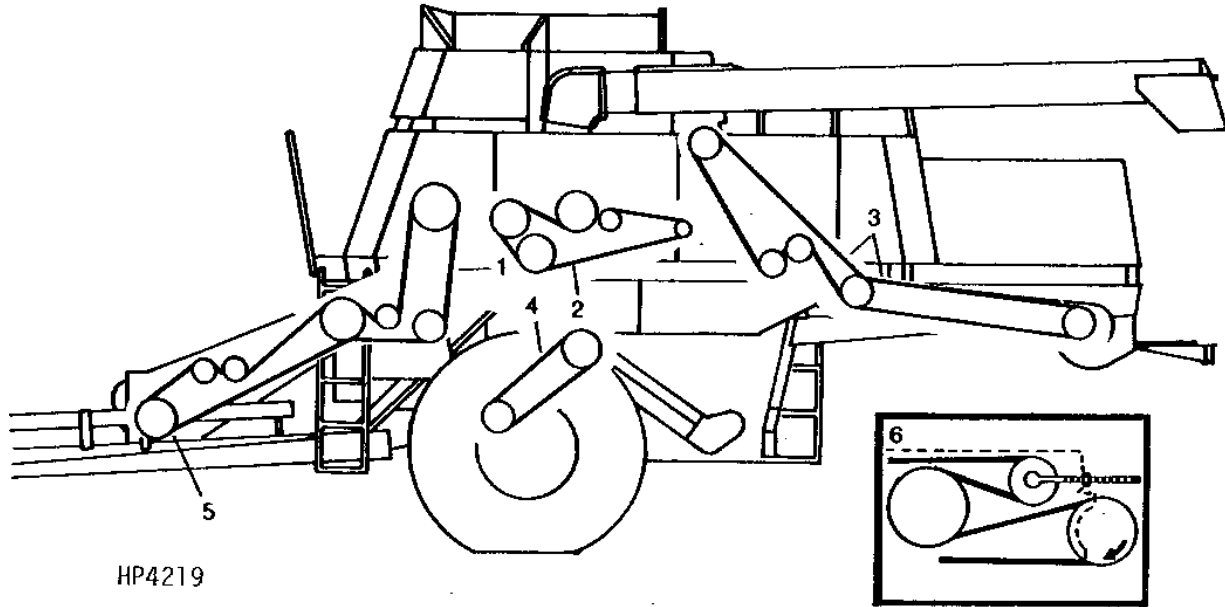
2K9

FC: 5734

DECALS, BELTS AND CHAINS

HEADER AND REEL PUMP, UNLOADING AUGERS, STRAW CHOPPER, CLEANING FAN, FEEDER HOUSE AND STRAW SPREADER (LEFT-HAND DRIVES)

HP4219 -UN-01JAN94



HP4219

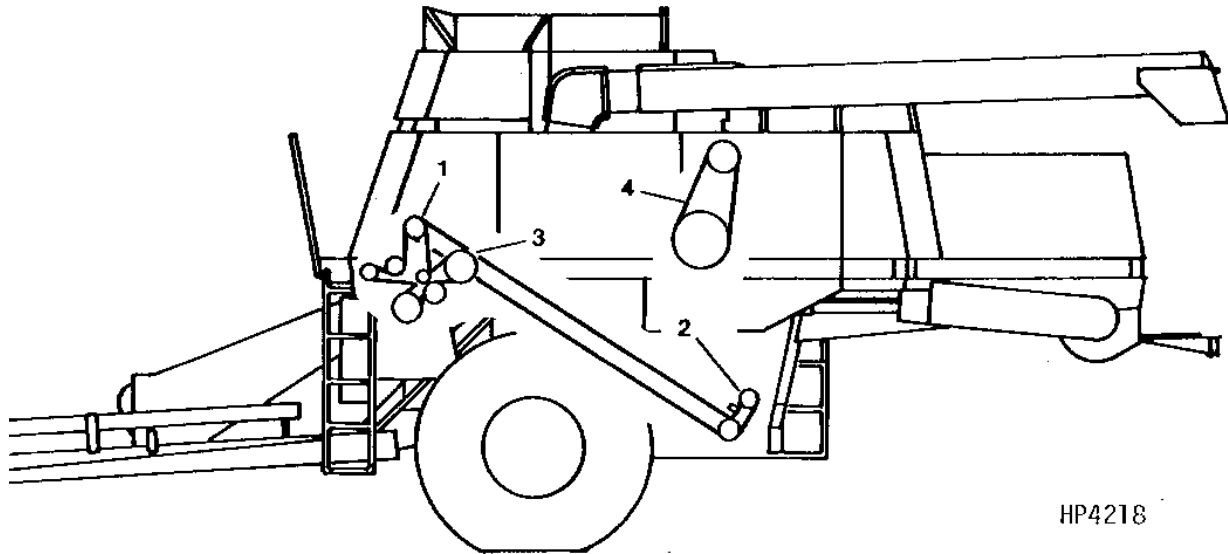
KEY	PART NO.	PART NAME	QTY	SERIAL NO. OR YEAR	REMARKS
1	H140160	BELT	1		
2	ROLLER CHAIN	1		ROLLER, TYPE 60H - 19MM (3/4") PITCH, 200 LINKS. ASSEMBLE FROM (1) AH18484, 199 LINKS, AND (1) BP130291. USE WITH 6076 ENGINE.
3	H125380	BELT	1		FRONT
	H125381	BELT	1		LONG REAR
	P47885	BELT	1		SHORT REAR
4	H140404	BELT	1		REGULAR
	H137264	BELT	1		SLOW SPEED
5	H126345	BELT	1		FIXED SPEED FEEDER HOUSE WITH REVERSER
6	H128234	BELT	1		STRAW SPREADER

2K10

FC: 5734

DECALS, BELTS AND CHAINS

TAILINGS AUGER, BEATER AND UNLOADING SYSTEM BELTS AND CHAINS
LEFT-HAND SIDE
HP4218 -UN-01JAN94



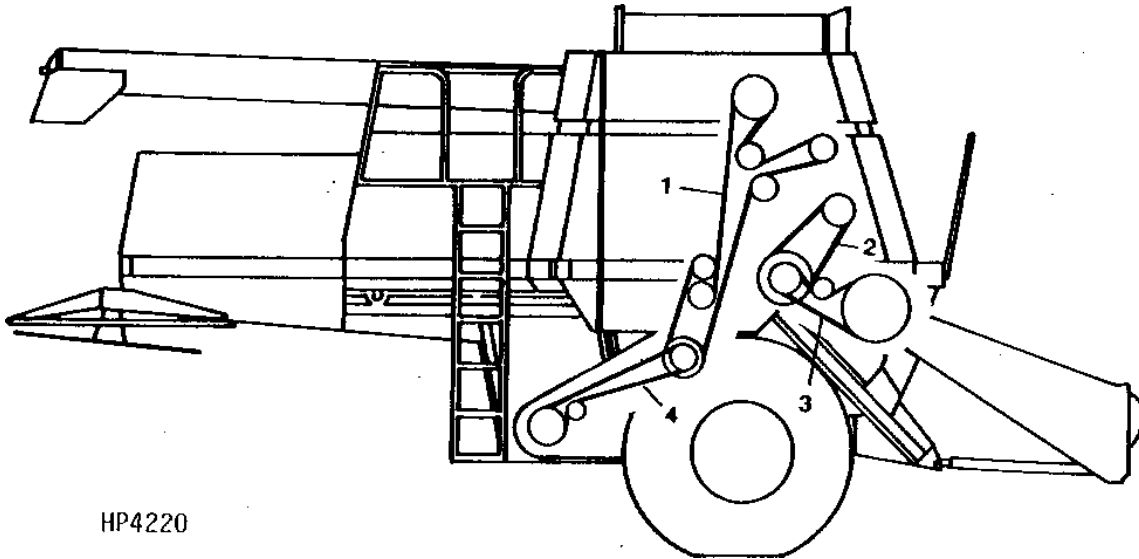
KEY	PART NO.	PART NAME	QTY	SERIAL NO. OR YEAR	REMARKS
1	ROLLER CHAIN	1		UPPER TAILINGS AUGER. ROLLER, TYPE 50, 16MM (5/8") PITCH, 123 LINKS, (ASSEMBLE FROM AH18482 OR AP22459 AND (1) P20351)
2	ROLLER CHAIN	1		LOWER TAILINGS AUGER. ROLLER, TYPE 50, 16MM (5/8") PITCH, 43 LINKS. (ASSEMBLE FROM AN18482 OR AP22459, (1) P20351 AND (1) P20352)
3	AH120918	BELT	1	-640400	(SUB AH139430) FOR (100 PER CENT) REGULAR DRIVE
	AH139436	BELT SET	1		FOR (100 PER CENT) REGULAR DRIVE
	AH131960	BELT	1		FOR (75 PER CENT) DRIVE
4	AH127866	BELT SET	1		UNLOADING SYSTEM

2K11

FC: 5734

DECALS, BELTS AND CHAINS

CLEAN GRAIN ELEVATOR, CYLINDER INTERMEDIATE DRIVE,
CYLINDER DRIVE AND LOWER TAILINGS AUGER AND ELEVATOR
HP4220 -UN-01JAN94



HP4220

KEY	PART NO.	PART NAME	QTY	SERIAL NO. OR YEAR	REMARKS
1	H137830	BELT	1		CLEAN GRAIN ELEVATOR
2	H115759	BELT	1		CYLINDER INTERMEDIATE DRIVE
3	H115881	BELT	1		CYLINDER DRIVE REGULAR DUAL-RANGE AND SINGLE RANGE
4	N110085	BELT	1		LOWER TAILINGS AUGER AND ELEVATOR

FC: 0000

DECALS, BELTS AND CHAINS

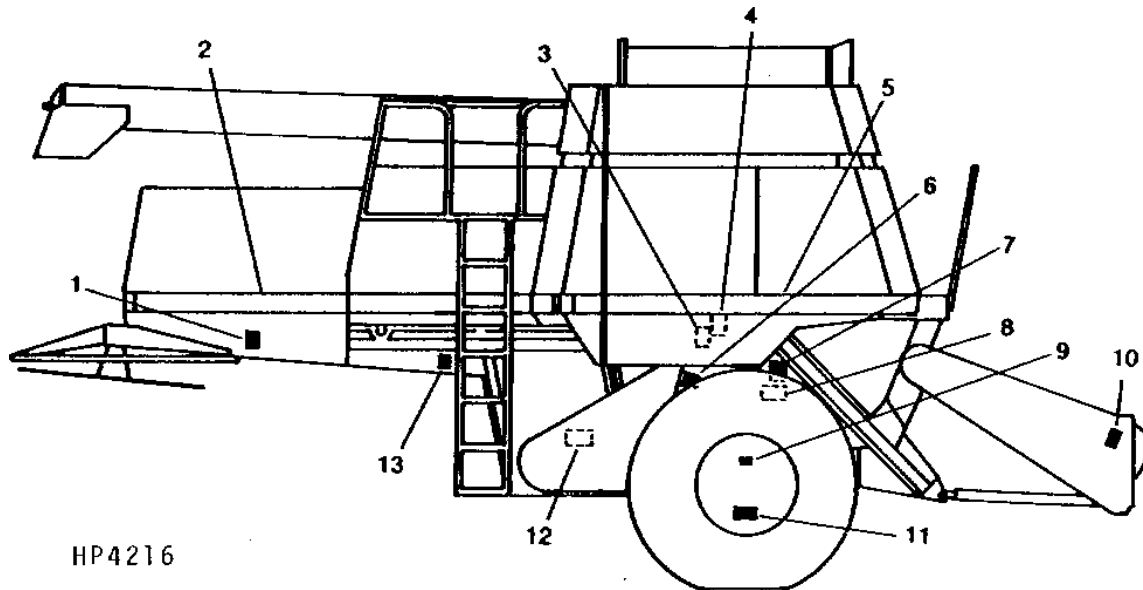
MEMORANDA

2K12

FC: 5643

DECALS, BELTS AND CHAINS

RIGHT-HAND DECALS
HP4216 -UN-01JAN94



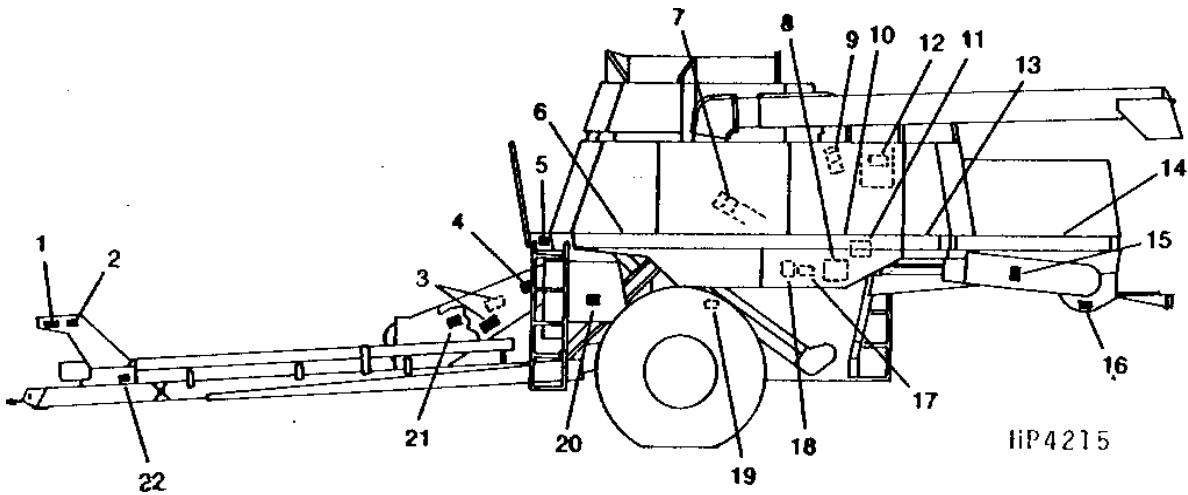
KEY	PART NO.	PART NAME	QTY	SERIAL NO. OR YEAR	REMARKS
1	H138989	LABEL	1	-SEPT94	(SUB H149096) "PROJECTILE WARNING" ON R.H. REAR HOOD
	H149096	LABEL	1		"PROJECTILE WARNING" ON R.H. REAR HOOD
2	H200358	LABEL	1		"STYLING DECAL" ON R.H. REAR HOOD
3	H139392	LABEL	1		"CLEAN GRAIN ELEVATOR BELT" ON CLEAN GRAIN ELEVATOR
4	H139393	LABEL	1		"SHOE, WALKER, CONVEYOR AUGER BELT" ON LOWER GRAIN ELEVATOR
5	H200358	LABEL	1		"JOHN DEERE 9501 STYLING PANEL" ON GULL WING DOOR
6	H139948	LABEL	1		(SUB H149099) "WARNING" ON FRONT HALF OF CLEAN GRAIN ELEVATOR
7	H149099	DECAL	1		(SUB H149037) "WARNING" ON R.H. FRONT WALKER COVER
	H110438	DECAL	1		(DUAL RANGE) ON R.H. FRONT WALKER COVER
8	H114270	DECAL	1		"TIRE PRESSURE" ON WHEEL NEAR VALVE STEM - 220 KPA
9	H116640	LABEL	1		"FEEDER DRUM HEIGHT ADJUSTMENT" ON FEEDER HOUSE
10	H123351	LABEL	1		"WHEEL BOLT TORQUE" ON EACH WHEEL NEAR BOLT CIRCLE
11	H115673	DECAL	2		"R.H. LUBE CHART" ON LOWER R.H. SIDE SHEET FOR DUAL RANGE CYLINDER
12	H200362	LABEL	1		(SUB H149064) "PROJECTILE WARNING" ON R.H. REAR HOOD
13	H133640	LABEL	1	-SEPT94	"LADDER WARNING" ON INSIDE OF R.H. ENGINE ACCESS DOOR
	H149064	LABEL	1		

2K13

FC: 5643

DECALS, BELTS AND CHAINS

LEFT-HAND DECALS
HP4215 -UN-01JAN94



KEY	PART NO.	PART NAME	QTY	SERIAL NO. OR YEAR	REMARKS
1	E74026	DECAL	2		(SUB E82514) "DANGER" (DRIVE SHAFT) BOTH SIDE OF SHIELD
2	GN11175	DECAL	1		"CAUTION" TOWING SIDE OF SHIELD
3	H133639	LABEL	1	-SEPT94	(SUB H149063) "HEADER DANGER" ON FEEDER HOUSE END OF SHIELD
	H149063	LABEL	1		"HEADER DANGER" ON FEEDERHOUSE AND SHIELD
4	H200363	LABEL	1		(SUB H133639) "FIXED FEEDER HOUSE LUBE CHART" ON INSIDE OF FEEDER HOUSE SHIELD
5	H133640	LABEL	1	-SEPT94	(SUB H149064) "LADDER WARNING" ON PLATFORM
	H149064	LABEL	1		"LADDER WARNING" ON INSIDE OF R.H. ENGINE ACCESS DOOR
6	H200357	LABEL	1		"9501" ON SIDE SHEET
7	H133642	LABEL	1	-SEPT94	(SUB H149066) "AUGER WARNING" ON UNLOADING ARM
	H149066	LABEL	1		"AUGER WARNING" ON UNLOADING ARM
8	H200365	LABEL	1		"DIAGNOSTIC PORTS" ON INSIDE SURFACE OF DOOR
9	H138423	LABEL	1	-SEPT94	(SUB H149092) "CAUTION" ON ACCUMULATOR
	H149092	LABEL	1		"CAUTION" ON ACCUMULATOR
10	H133488	LABEL	1		"JOHN DEERE" ON R.H. AND L.H. GULL WING DOOR
11	H143277	LABEL	1		"LUBE CHART" L.H. SIDE OF COMBINE

2K14

FC: 0000

DECALS, BELTS AND CHAINS

LEFT-HAND DECALS - CONTINUED

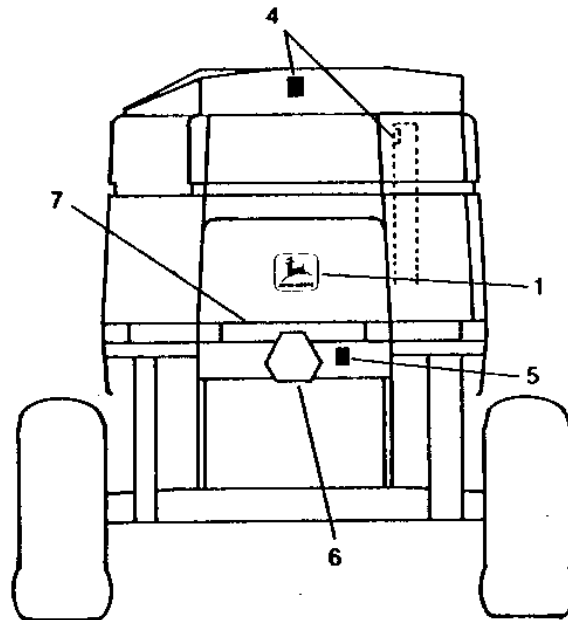
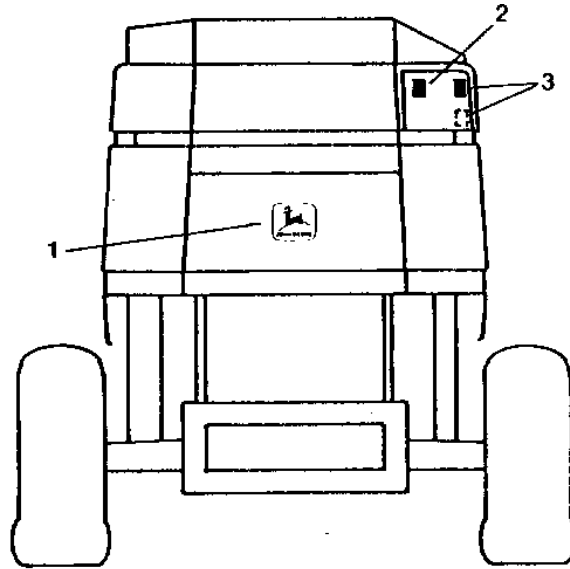
KEY	PART NO.	PART NAME	QTY	SERIAL NO.	REMARKS
12	H110923	LABEL	1		HYDRAULIC RESERVOIR LABEL ON R.H. SIDE OF HYDRAULIC RESERVOIR
13	H137356	LABEL	1		"STYLING PANEL" CENTERED ON L.H. REAR PANEL
14	H120924	LABEL	1		"STYLING PANEL" CENTERED ON L.H. SIDE OF REAR HOOD
15	H138989	LABEL	1	-SEPT94	(SUB H149096) "PROJECTILE WARNING" ON R.H. SIDE OF REAR HOOD
	H149096	LABEL	1		"PROJECTILE WARNING" ON R.H. OF REAR HOOD
16	H139431	LABEL	1		(SUB H145857) "CHOPPER POSITION LABEL" OF CHOPPER HOUSING
17	H133643	LABEL	1	-SEPT94	(SUB H149067) "WARNING" ON MID SIL
	H149067	LABEL	1		"WARNING" ACCUMULATOR
18	H138423	LABEL	1		(SUB H149092) "CAUTION" ON ACCUMULATOR
19	H139948	LABEL	1		(SUB H149099) "WARNING" ON FRONT OF TAILINGS ELEVATOR
	H149099	DECAL	1		
20	JD5255	DECAL	1	-AUG94	(SUB E82510) "CAUTION" ON SIDE SHIELD
21	H135405	LABEL	1		"FEEDER HOUSE CHAIN LABEL" ON L.H. SIDE OF FEEDER HOUSE
22	H81662	DECAL	1		(SUB H149107) "WARNING" HITCH TUBE

2K15

FC: 5643

DECALS, BELTS AND CHAINS

FRONT AND REAR DECALS
HP4217 -UN-01JAN94



HP4217

2K16

FC: 5643

DECALS, BELTS AND CHAINS

FRONT AND REAR DECALS

KEY	PART NO.	PART NAME	QTY	SERIAL NO. OR YEAR	REMARKS
1	JD5592	DECAL	2		"LEAPING DEER" CENTERED ON FRONT PANEL AND ON UPPER REAR HOOD.
2	H137426	LABEL	1	-SEPT94	(SUB H149090) "DANGER" ON ACCESS DOOR.
3	H149090	LABEL	1		"DANGER" ON ACCESS DOOR
3	H133641	LABEL	2	-SEPT94	(SUB H149065) "WARNING" ONE ON OUTSIDE OF ACCESS DOOR , ONE ON INSIDE OF ACCESS DOOR.
	H149065	LABEL	2		"WARNING" ONE ON OUTSIDE OF ACCESS DOOR AND ONE ON INSIDE OF ACCESS DOOR
4	H133638	LABEL	2	-SEPT94	(SUB H149062) "DANGER" ONE ON REAR GRAIN TANK EXTENSION, ONE ON UPPER CLEAN GRAIN CGUTE EXTENSION.
	H149062	DECAL	2		"WARNING" ON REAR GRAIN TANK EXTENSION
5	H138989	LABEL	1	-SEPT94	(SUB H149096) "PROJECTILE WARNING"ON REAR HOOD END SHEET.
	H149096	LABEL	1		"PROJECTILE WARNING" ON R.H. REAR HOOD
6	JD5401	DECAL	1		"SMV DECAL" ON DEFLECTOR.
	H134667	DEFLECTOR	1		ON SPREADER OR LOWER REAR HOOD
	37M7131	SCREW	2		M6 X 20
7	H121040	LABEL	1		

FC: 0000

DECALS, BELTS AND CHAINS

MEMORANDA

1L9

9501 PULL-TYPE COMBINE

NUMERICAL INDEX

PART NO.	GRID	KEY	PAGE	PART NO.	GRID	KEY	PAGE	PART NO.	GRID	KEY	PAGE
AA21292	1C19	6	50 - 3	AH106296	2D18	5	120 - 75	AH121475	1B21	3	40 - 33
AA5607R	1D2	17	50 - 11	AH106296	2D18	21	120 - 75	AH121493	2F10	33	120 - 115
AA5607R	1D6	26	50 - 15	AH106606	2J17	11	130 - 47	AH121605	1E3	4	70 - 17
AA5607R	2D16	12	120 - 73	AH106612	1A19	17	40 - 5	AH121658	2D4	12	120 - 61
AA5607R	2D22	15	120 - 79	AH106612	1C2	1A	40 - 39	AH121997	2B14	1	120 - 23
AA5607R	2E6	10	120 - 87	AH106612	1C6	7	40 - 43	AH122080	2B24	4	120 - 33
AA5607R	2E16	3	120 - 97	AH106618	1H8	2	110 - 3	AH122080	2C4	5	120 - 37
AA5607R	2E20	19	120 - 101	AH106695	1E10	4	70 - 24	AH122080	2C6	7	120 - 39
AA5607R	2E22	34	120 - 103	AH108299	2I22	24	130 - 27	AH122080	2C10	5	120 - 43
AA5607R	2G10	16	120 - 139	AH108693	2D18	14	120 - 75	AH122244	1G2	21	80 - 7
AA5607R	2H9	11	120 - 163	AH108801	2D10	5	120 - 67	AH122264	2I24	21	130 - 29
AA5607R	2I14	12	130 - 19	AH108813	2D16	5	120 - 73	AH122265	2I24	5	130 - 29
AC11779	2H5	10	120 - 158	AH109056	2D10	43	120 - 67	AH122451	2D16	14	120 - 73
AC11779	2I2	10	130 - 7	AH109197	1D2	20	50 - 11	AH122506	2H23	26	130 - 3
AC14488	1C20	3	50 - 4	AH109197	1D6	23	50 - 15	AH122507	2I20	8	130 - 25
AC14488	1F20	2	80 - 1	AH109197	2D22	21	120 - 79	AH122616	1H2	13	80 - 33
AC14974	2H5	10	120 - 158	AH109197	2E6	27	120 - 87	AH122619	1H2	4	80 - 33
AC14974	2I2	10	130 - 7	AH109197	2E16	7	120 - 97	AH122685	2D6	30	120 - 63
AD2062R	1B19	1	40 - 31	AH109197	2H9	14	120 - 163	AH122717	2J15	2	130 - 45
AE26118	2B22	3	120 - 31	AH109197	2I4	11	130 - 9	AH122863	2D24	16	120 - 81
AE27909	1I4	11	110 - 23	AH109788	1H16	13	110 - 11	AH122863	2E4	36	120 - 85
AE30034	1C21	10	50 - 5	AH109788	1I8	15	110 - 27	AH122874	2J13	6	130 - 43
AE30034	1C23	19	50 - 7	AH110887	2D10	31	120 - 67	AH122875	2J13	6	130 - 43
AE30624	2E22	27	120 - 103	AH111354	2J15	7	130 - 45	AH122918	2F10	5	120 - 115
AE32374	1E4	2	70 - 18	AH111447	2D14	14	120 - 71	AH122918	2F20	1	120 - 125
AE32374	1E4	3	70 - 18	AH111447	2E6	25	120 - 87	AH123012	2F10	21	120 - 115
AE32374	1E4	4	70 - 18	AH111970	2D24	26	120 - 81	AH123014	1B22	4	40 - 34
AE32374	1E4	5	70 - 18	AH111971	2E2	4	120 - 83	AH123015	1B22	4	40 - 34
AE32374	1E4	..	70 - 18	AH112883	2D10	16	120 - 67	AH123016	1B22	4	40 - 34
AE32374	1E5	5	70 - 19	AH113139	2D14	11	120 - 71	AH123017	1B22	4	40 - 34
AE34929	1C21	12	50 - 5	AH114359	2C22	14	120 - 55	AH123436	2J15	6	130 - 45
AE34929	1C21	13	50 - 5	AH114877	1H5	2	80 - 36	AH123437	2J15	6	130 - 45
AE34929	1C21	14	50 - 5	AH115053	1D10	5	50 - 19	AH123602	2J10	9	130 - 39
AE34929	1C21	15	50 - 5	AH115943	1C6	1	40 - 43	AH123912	2J6	4	130 - 35
AE34929	1C21	16	50 - 5	AH116104	1B11	6	40 - 23	AH123921	1G13	4	80 - 19
AE37060	1E13	..	70 - 28	AH116232	1I8	11	110 - 27	AH124050	2E8	3	120 - 89
AE37846	1E13	..	70 - 28	AH116390	2J23	4	130 - 54	AH124376	2D6	46	120 - 63
AE37847	1E13	..	70 - 28	AH117016	1B21	20	40 - 33	AH124376	2D6	48	120 - 63
AE37848	1E15	..	70 - 31	AH117017	1B21	20	40 - 33	AH124502	2I14	19	130 - 19
AE37848	1E18	6	70 - 34	AH117018	1B21	20	40 - 33	AH124509	2J11	11	130 - 40
AE37848	1E23	..	70 - 39	AH117265	2F18	1	120 - 123	AH124567	1C2	1A	40 - 39
AE37848	1E25	6	70 - 41	AH117277	2H23	28	130 - 3	AH124731	1E13	4	70 - 28
AE37848	1F1	..	70 - 42	AH117280	2H23	18	130 - 3	AH124731	1E15	3	70 - 31
AE37848	1F3	6	70 - 44	AH117281	2H23	18	130 - 3	AH124731	1E19	3	70 - 35
AE38021	1E15	..	70 - 31	AH117301	1B5	3	40 - 17	AH124731	1E23	3	70 - 39
AE38021	1E16	5	70 - 32	AH117811	1G8	4	80 - 13	AH124731	1F1	3	70 - 42
AE38734	1E15	16	70 - 31	AH118251	2H23	18	130 - 3	AH124731	1F5	18	70 - 47
AE44392	1B7	14	40 - 19	AH118993	2J22	8	130 - 53	AH124826	2D22	2	120 - 79
AE44392	1B11	5	40 - 23	AH119770	2E22	18	120 - 103	AH124828	2D22	17	120 - 79
AE44930	1B19	19	40 - 31	AH119770	2F8	9	120 - 113	AH124852	2J4	2	130 - 33
AE46606	1H16	17	110 - 11	AH120445	1A21	1	40 - 7	AH124878	2J4	3	130 - 33
AE49003	1E23	15	70 - 39	AH120502	2A23	1	120 - 7	AH125036	1B13	9	40 - 25
AE49008	1E13	..	70 - 28	AH120907	2D18	10	120 - 75	AH125068	2J17	22	130 - 47
AE49777	1E18	6	70 - 34	AH120918	2B12	12	120 - 21	AH125070	2J19	15	130 - 49
AE49777	1E23	..	70 - 39	AH120918	2E6	3	120 - 87	AH125070	2J19	16	130 - 49
AE49777	1E25	6	70 - 41	AH120918	2K10	3	170 - 4	AH125080	2J2	21	130 - 31
AE49777	1F1	..	70 - 42	AH121007	2D16	27	120 - 73	AH125193	2D6	39	120 - 63
AE49777	1F3	6	70 - 44	AH121007	2H16	3	120 - 171	AH125193	2D6	41	120 - 63
AE50072	1C21	7	50 - 5	AH121009	2B4	10	120 - 13	AH125193	2D6	42	120 - 63
AF1466R	2D10	46	120 - 67	AH121009	2B12	21	120 - 21	AH125193	2D6	48	120 - 63
AH100012	1B15	1	40 - 27	AH121009	2D8	10	120 - 65	AH125196	1H16	19	110 - 11
AH100013	1B15	6	40 - 27	AH121009	2H16	5	120 - 171	AH125200	2C8	8	120 - 41
AH104783	2D22	20	120 - 79	AH121009	2H18	1	120 - 173	AH125200	2C12	6	120 - 45
AH104783	2E4	12	120 - 85	AH121009	2H18	5	120 - 173	AH125200	2C14	3	120 - 47
AH105040	1H8	23	110 - 3	AH121046	2H14	19	120 - 169	AH125200	2G6	17	120 - 135
AH106096	2J22	18	130 - 53	AH121047	2G24	31	120 - 153	AH125201	2C8	13	120 - 41
AH106110	2D18	7	120 - 75	AH121475	1B19	8	40 - 31	AH125306	1G19	1	80 - 25

1L10

9501 PULL-TYPE COMBINE

NUMERICAL INDEX - CONTINUED

PART NO.	GRID	KEY	PAGE	PART NO.	GRID	KEY	PAGE	PART NO.	GRID	KEY	PAGE
AH125306	2I22	3	130 - 27	AH126283	2J8	6	130 - 37	AH128596	1G19	7	80 - 25
AH125391	2C24	3A	120 - 57	AH126284	2J8	11	130 - 37	AH128597	1G17	10	80 - 23
AH125391	2I22	29	130 - 27	AH126295	2B2	4A	120 - 11	AH128598	1G17	12	80 - 23
AH125454	1H18	3	110 - 13	AH126354	2I4	6	130 - 9	AH128618	2B20	6	120 - 29
AH125478	1G17	1	80 - 23	AH126388	2G24	18	120 - 153	AH128639	1E12	10	70 - 27
AH125478	2I22	18	130 - 27	AH126389	1D25	9	70 - 13	AH128640	1E12	8	70 - 27
AH125485	1C6	4	40 - 43	AH126417	1H16	6	110 - 11	AH128663	2H11	20	120 - 165
AH125514	1H14	7	110 - 9	AH126538	2D20	3	120 - 77	AH128664	2H11	24	120 - 165
AH125533	1G8	9	80 - 13	AH126541	1B21	7	40 - 33	AH128664	2H12	2	120 - 166
AH125534	1G8	9	80 - 13	AH126564	1G23	11	80 - 29	AH128674	2E22	36	120 - 103
AH125535	1G8	9	80 - 13	AH126619	2I20	14	130 - 25	AH128675	2E20	16A	120 - 101
AH125536	1G8	9	80 - 13	AH126677	2G24	13	120 - 153	AH128682	2J13	6	130 - 43
AH125556	2J23	6	130 - 54	AH126705	2J19	16	130 - 49	AH128696	1G8	1	80 - 13
AH125574	1F24	14	80 - 5	AH126719	2B4	13	120 - 13	AH128732	2H23	12	130 - 3
AH125584	1G8	7	80 - 13	AH126720	2B4	12	120 - 13	AH128735	2C16	1	120 - 49
AH125585	1G8	6	80 - 13	AH126811	1A19	1	40 - 5	AH128735	2C20	1	120 - 53
AH125601	2I2	5	130 - 7	AH126838	1G8	9	80 - 13	AH128753	1E3	21	70 - 17
AH125627	1A21	8	40 - 7	AH126839	1G8	9	80 - 13	AH128853	1E12	5	70 - 27
AH125640	1G25	13	80 - 31	AH126865	2H9	13	120 - 163	AH128855	1F10	16	70 - 53
AH125641	1G25	1	80 - 31	AH127275	1G17	6	80 - 23	AH128860	2J23	7	130 - 54
AH125642	1G25	9	80 - 31	AH127396	2H25	9	130 - 5	AH128861	2J22	23	130 - 53
AH125644	1G25	4	80 - 31	AH127426	2C4	11	120 - 37	AH128903	2E16	5	120 - 97
AH125644	2I20	6	130 - 25	AH127435	2C6	10	120 - 39	AH128909	2C14	13	120 - 47
AH125645	2J19	5	130 - 49	AH127465	2B24	9	120 - 33	AH128924	2K6	10	160 - 5
AH125646	2J19	6	130 - 49	AH127465	2C4	10	120 - 37	AH128986	1B21	22	40 - 33
AH125672	1B17	10	40 - 29	AH127469	2C6	1	120 - 39	AH129066	2J13	6	130 - 43
AH125685	1G6	11	80 - 11	AH127477	2B24	10	120 - 33	AH129245	1F14	3	70 - 57
AH125692	2B20	4	120 - 29	AH127477	2C4	2	120 - 37	AH129245	1F14	4	70 - 57
AH125733	1E1	2	70 - 14	AH127477	2C10	2	120 - 43	AH129245	1F14	5	70 - 57
AH125744	1B11	2	40 - 23	AH127496	2E8	4	120 - 89	AH129245	1F14	6	70 - 57
AH125760	1D21	18	70 - 9	AH127602	2E22	37	120 - 103	AH129245	1F14	7	70 - 57
AH125760	1F5	2	70 - 47	AH127604	2J23	14	130 - 54	AH129245	1F14	8	70 - 57
AH125782	1H22	25	110 - 17	AH127611	2B4	26	120 - 13	AH129245	1F14	11	70 - 57
AH125814	2I22	21	130 - 27	AH127677	1A19	20	40 - 5	AH129245	1F14	12	70 - 57
AH125895	2H14	9	120 - 169	AH127704	1G17	8	80 - 23	AH129245	1F16	9	70 - 59
AH125966	2C12	9A	120 - 45	AH127716	1G19	9	80 - 25	AH129323	1D23	9	70 - 11
AH125966	2C14	2A	120 - 47	AH127718	1B24	6	40 - 37	AH129357	2H25	6	130 - 5
AH125967	2C2	6	120 - 35	AH127726	2B22	28	120 - 31	AH129357	2H25	9	130 - 5
AH125969	2C8	10	120 - 41	AH127866	2K10	4	170 - 4	AH129363	2I2	5	130 - 7
AH125969	2C14	12	120 - 47	AH127871	2B24	13	120 - 33	AH129420	2E4	4	120 - 85
AH125970	2C8	10	120 - 41	AH127892	1E12	3	70 - 27	AH129420	2E8	11	120 - 89
AH125970	2C14	12	120 - 47	AH128014	1G23	8	80 - 29	AH129451	2B18	20	120 - 27
AH125971	2C8	6A	120 - 41	AH128037	2I22	10	130 - 27	AH129451	2E4	44	120 - 85
AH125971	2C12	8A	120 - 45	AH128073	1H24	1	110 - 19	AH129452	2B18	22	120 - 27
AH125973	2G6	19	120 - 135	AH128075	2J22	37	130 - 53	AH129452	2E4	46	120 - 85
AH125975	2C2	18	120 - 35	AH128239	1H24	9	110 - 19	AH130113	1E3	13	70 - 17
AH125975	2C8	17	120 - 41	AH128239	1I6	1	110 - 25	AH130123	2B16	3	120 - 25
AH125976	2C8	15A	120 - 41	AH128284	2D6	48	120 - 63	AH130132	1H2	14	80 - 33
AH125999	2F4	7	120 - 109	AH128307	2B20	13	120 - 29	AH130136	2H11	4	120 - 165
AH126008	2H11	33	120 - 165	AH128313	2B22	31	120 - 31	AH130151	2B24	13	120 - 33
AH126015	1F24	9	80 - 5	AH128328	1B24	8	40 - 37	AH130154	2B24	13	120 - 33
AH126052	2I14	14A	130 - 19	AH128360	2B12	7	120 - 21	AH130160	2C10	11	120 - 43
AH126091	1I2	11	110 - 21	AH128361	2B12	9	120 - 21	AH130166	2C10	10	120 - 43
AH126094	2E4	35	120 - 85	AH128383	2E10	5	120 - 91	AH130167	2C10	1	120 - 43
AH126097	2C2	11	120 - 35	AH128384	2E10	1	120 - 91	AH130168	1E10	8	70 - 24
AH126119	2A19	3	120 - 3	AH128384	2E12	1	120 - 93	AH130175	1H22	18	110 - 17
AH126188	2E4	24	120 - 85	AH128385	2E10	5	120 - 91	AH130185	2B24	9	120 - 33
AH126191	2B16	2	120 - 25	AH128385	2E12	5	120 - 93	AH130186	2B24	3	120 - 33
AH126206	2G24	8	120 - 153	AH128404	1B19	18	40 - 31	AH130186	2C4	1	120 - 37
AH126213	2B20	3	120 - 29	AH128422	1B17	15	40 - 29	AH130189	2C6	4	120 - 39
AH126214	2B20	2	120 - 29	AH128449	1E1	1	70 - 14	AH130198	2I22	6	130 - 27
AH126221	2F10	9	120 - 115	AH128458	2C2	4	120 - 35	AH130202	2A25	13	120 - 9
AH126242	1D25	22	70 - 13	AH128461	2C12	1	120 - 45	AH130222	1B2	16	40 - 13
AH126272	1B17	3	40 - 29	AH128464	2C8	2	120 - 41	AH130222	1B5	10	40 - 17
AH126280	2J8	1	130 - 37	AH128530	2C16	8	120 - 49	AH130222	1B7	2	40 - 19
AH126281	2J8	4	130 - 37	AH128554	2I20	27	130 - 25	AH130231	2B6	11	120 - 15
AH126282	2J8	10	130 - 37	AH128584	1D25	4	70 - 13	AH130232	2B6	11	120 - 15

1L11

9501 PULL-TYPE COMBINE

NUMERICAL INDEX - CONTINUED

PART NO.	GRID	KEY	PAGE	PART NO.	GRID	KEY	PAGE	PART NO.	GRID	KEY	PAGE
AH130370	2I4	17	130 - 9	AH131319	2B22	19A	120 - 31	AH133156	2B8	3	120 - 17
AH130424	2B16	12	120 - 25	AH131320	1B15	5	40 - 27	AH133156	2B10	3	120 - 19
AH130425	2B16	24	120 - 25	AH131326	1E15	33	70 - 31	AH133157	2B8	21	120 - 17
AH130465	2B8	11	120 - 17	AH131326	1E19	21	70 - 35	AH133191	2C22	1	120 - 55
AH130477	2B20	17	120 - 29	AH131326	1E23	25	70 - 39	AH133191	2E4	8	120 - 85
AH130482	2F12	44	120 - 117	AH131326	1F5	9	70 - 47	AH133191	2E8	18	120 - 89
AH130483	2F10	18	120 - 115	AH131329	2I6	11	130 - 11	AH133191	2E22	29	120 - 103
AH130486	2C4	11	120 - 37	AH131329	2I14	1	130 - 19	AH133191	2J17	18	130 - 47
AH130506	1G2	16	80 - 7	AH131334	1E10	5	70 - 24	AH133191	2J19	3	130 - 49
AH130545	1H12	2	110 - 7	AH131348	2C22	7A	120 - 55	AH133191	2J22	28	130 - 53
AH130563	1D19	1	70 - 7	AH131350	2C22	7A	120 - 55	AH133196	2G18	17	120 - 147
AH130564	1D19	5	70 - 7	AH131371	2I8	6	130 - 13	AH133265	1E7	5	70 - 21
AH130565	1H10	22	110 - 5	AH131378	1E3	7	70 - 17	AH133265	1E7	6	70 - 21
AH130570	2G24	28	120 - 153	AH131404	1E15	35	70 - 31	AH133265	1E7	7	70 - 21
AH130570	2H5	9	120 - 158	AH131404	1F5	12	70 - 47	AH133265	1E7	8	70 - 21
AH130571	2H5	3	120 - 158	AH131405	1E13	25	70 - 28	AH133265	1E7	9	70 - 21
AH130572	2G24	24	120 - 153	AH131405	1E15	34	70 - 31	AH133265	1E7	10	70 - 21
AH130581	1F10	5	70 - 53	AH131405	1F5	8	70 - 47	AH133265	1E7	11	70 - 21
AH130582	2D4	5	120 - 61	AH131420	1E19	..	70 - 35	AH133265	1E7	12	70 - 21
AH130592	2E24	10	120 - 105	AH131420	1E21	6	70 - 37	AH133265	1E7	14	70 - 21
AH130592	2F2	14	120 - 107	AH131421	1E19	..	70 - 35	AH133285	1E7	4	70 - 21
AH130602	1B13	7	40 - 25	AH131421	1E22	6	70 - 38	AH133285	1E7	15	70 - 21
AH130603	1B13	1	40 - 25	AH131460	1E23	18	70 - 39	AH133373	2H23	12	130 - 3
AH130629	1E12	7	70 - 27	AH131461	1E23	24	70 - 39	AH133494	1I2	31	110 - 21
AH130870	1H16	20	110 - 11	AH131461	1F5	10	70 - 47	AH133758	2G16	2	120 - 145
AH130884	2H7	3	120 - 160	AH131508	2E6	15	120 - 87	AH133759	2G14	2	120 - 143
AH130886	2H4	21	120 - 157	AH131535	1E7	25	70 - 21	AH133770	2G14	10	120 - 143
AH130892	2H4	17	120 - 157	AH131550	2I8	12	130 - 13	AH133830	1F24	14	80 - 5
AH130893	2H4	17	120 - 157	AH131559	2J8	1	130 - 37	AH133896	1A17	7	40 - 3
AH130894	1H12	1	110 - 7	AH131576	1E3	18	70 - 17	AH133948	2G16	22	120 - 145
AH130940	2A23	3	120 - 7	AH131741	2H2	7	120 - 155	AH133948	2G18	1	120 - 147
AH130946	1H2	17	80 - 33	AH131829	1H20	1	110 - 15	AH133949	2G16	18	120 - 145
AH130964	2F24	41	120 - 129	AH131830	2I4	15	130 - 9	AH133949	2G18	2	120 - 147
AH130982	2H14	15	120 - 169	AH131842	1F8	2	70 - 51	AH133950	2G18	9	120 - 147
AH130988	2B22	28	120 - 31	AH131842	2G20	3	120 - 149	AH133974	2D6	42	120 - 63
AH130996	2C6	10	120 - 39	AH131842	2G22	2	120 - 151	AH134121	1H12	27	110 - 7
AH131070	2D12	5	120 - 69	AH131860	2I12	18	130 - 17	AH134144	2B4	17	120 - 13
AH131074	2H5	10	120 - 158	AH131865	2F10	41	120 - 115	AH134145	2B4	17	120 - 13
AH131080	2H6	1	120 - 159	AH131873	2I12	6	130 - 17	AH134207	2D4	6	120 - 61
AH131085	2H11	30	120 - 165	AH131876	1D25	8	70 - 13	AH134239	1B19	18	40 - 31
AH131165	2F24	27	120 - 129	AH131903	2I8	19	130 - 13	AH134319	2E20	21	120 - 101
AH131166	2F24	19	120 - 129	AH131960	2B12	12	120 - 21	AH134438	2F22	6	120 - 127
AH131176	1F8	4	70 - 51	AH131960	2E6	3	120 - 87	AH134439	2F22	1	120 - 127
AH131176	1F8	5	70 - 51	AH131960	2K10	3	170 - 4	AH134444	2G2	8	120 - 131
AH131176	1F8	6	70 - 51	AH131979	2E8	4	120 - 89	AH134524	1B13	3	40 - 25
AH131176	1F8	7	70 - 51	AH132031	2G14	3	120 - 143	AH134549	2J22	4	130 - 53
AH131176	1F8	9	70 - 51	AH132032	2J15	6	130 - 45	AH134554	2G20	12	120 - 149
AH131176	2G20	..	120 - 149	AH132033	2J15	6	130 - 45	AH134555	2G16	12	120 - 145
AH131176	2G22	9	120 - 151	AH132200	2G16	9	120 - 145	AH134555	2G20	5	120 - 149
AH131197	2I8	6	130 - 13	AH132201	2G16	16	120 - 145	AH134555	2G20	13	120 - 149
AH131206	2I8	10	130 - 13	AH132210	1F14	16	70 - 57	AH134555	2G20	14	120 - 149
AH131213	2B24	14	120 - 33	AH132230	2J15	19	130 - 45	AH134555	2G20	15	120 - 149
AH131213	2C4	12	120 - 37	AH132359	2G6	7	120 - 135	AH134555	2G20	16	120 - 149
AH131213	2C6	14	120 - 39	AH132361	1F22	4	80 - 3	AH134558	2G4	6	120 - 133
AH131213	2C10	12	120 - 43	AH132367	2B8	13	120 - 17	AH134579	2G4	10	120 - 133
AH131213	2H4	26	120 - 157	AH132372	2I12	24	130 - 17	AH134580	2G4	9	120 - 133
AH131215	2B24	13	120 - 33	AH132372	2I14	21	130 - 19	AH134598	2I12	16	130 - 17
AH131217	2C10	11	120 - 43	AH132785	2C4	11	120 - 37	AH134599	1H8	31	110 - 3
AH131219	2C10	11	120 - 43	AH132787	2C4	10	120 - 37	AH134601	2I22	17	130 - 27
AH131237	2I16	2	130 - 21	AH132788	2I8	19	130 - 13	AH134658	2B4	26	120 - 13
AH131238	2I16	3	130 - 21	AH132806	2I2	10	130 - 7	AH134669	2I4	18	130 - 9
AH131240	2J6	1	130 - 35	AH132809	2I8	17	130 - 13	AH134679	2G18	22	120 - 147
AH131241	2J6	1	130 - 35	AH132823	2C22	10	120 - 55	AH134680	2G18	21	120 - 147
AH131248	2E8	28	120 - 89	AH132830	1H16	20	110 - 11	AH134682	2J17	20	130 - 47
AH131249	2E8	31	120 - 89	AH132852	2G4	3	120 - 133	AH134682	2J19	9	130 - 49
AH131250	1E7	3	70 - 21	AH132991	2I8	3	130 - 13	AH134705	2I4	9	130 - 9
AH131303	1H24	16	110 - 19	AH133109	1B19	2	40 - 31	AH134706	2I4	9	130 - 9

1L12

9501 PULL-TYPE COMBINE

NUMERICAL INDEX - CONTINUED

PART NO.	GRID	KEY	PAGE	PART NO.	GRID	KEY	PAGE	PART NO.	GRID	KEY	PAGE
AH134728	1C4	3	40 - 41	AH136202	1D21	20	70 - 9	AH137632	1I2	34	110 - 21
AH134729	2E14	4	120 - 95	AH136202	2G16	26	120 - 145	AH137733	1H24	1	110 - 19
AH134730	2E14	5	120 - 95	AH136203	1D21	7	70 - 9	AH137792	2F4	7	120 - 109
AH134733	1F1	20	70 - 42	AH136203	1D21	8	70 - 9	AH137831	1H14	7	110 - 9
AH134733	1F5	25	70 - 47	AH136203	1D21	9	70 - 9	AH138092	1H12	1	110 - 7
AH134765	2I20	4	130 - 25	AH136203	1D21	..	70 - 9	AH138155	2F10	21	120 - 115
AH134773	2B8	14	120 - 17	AH136203	1D23	9	70 - 11	AH138155	2F14	23	120 - 119
AH134824	1H12	2	110 - 7	AH136239	2H4	25	120 - 157	AH138156	2F10	41	120 - 115
AH134826	1H12	3	110 - 7	AH136248	1D21	7	70 - 9	AH138156	2F14	1	120 - 119
AH134858	2I12	20	130 - 17	AH136248	1D21	8	70 - 9	AH138157	2F10	25	120 - 115
AH134859	2D10	..	120 - 67	AH136248	1D21	9	70 - 9	AH138157	2F14	10	120 - 119
AH134864	1H8	..	110 - 3	AH136248	1D21	..	70 - 9	AH138187	1I2	1	110 - 21
AH134869	2E2	16	120 - 83	AH136248	1D22	6	70 - 10	AH138230	2C12	9A	120 - 45
AH134873	2E8	7	120 - 89	AH136285	1H2	4	80 - 33	AH138230	2C12	9B	120 - 45
AH134873	2E8	38	120 - 89	AH136355	1H2	17	80 - 33	AH138230	2C14	2A	120 - 47
AH134916	2B6	12	120 - 15	AH136358	1H12	17B	110 - 7	AH138230	2C14	2B	120 - 47
AH134917	2B6	12	120 - 15	AH136484	2H25	5	130 - 5	AH138232	2C8	6A	120 - 41
AH135047	1B17	2	40 - 29	AH136485	2H25	5	130 - 5	AH138232	2C8	6B	120 - 41
AH135077	2D6	4	120 - 63	AH136497	2D18	15	120 - 75	AH138232	2C12	8A	120 - 45
AH135207	2H14	15	120 - 169	AH136498	1C6	6	40 - 43	AH138232	2C12	8B	120 - 45
AH135225	2I24	19	130 - 29	AH136530	1I2	1	110 - 21	AH138233	2G6	19	120 - 135
AH135227	2I24	7	130 - 29	AH136553	2K2	3	130 - 59	AH138360	1E4	1	70 - 18
AH135290	1H12	23	110 - 7	AH136554	2K2	2	130 - 59	AH138360	1H12	4	110 - 7
AH135295	2D6	4	120 - 63	AH136558	2I20	4	130 - 25	AH138384	2B20	..	120 - 29
AH135342	2E20	16B	120 - 101	AH136572	2C16	12	120 - 49	AH138398	2J19	5	130 - 49
AH135375	1H2	14	80 - 33	AH136572	2C16	14	120 - 49	AH138399	2J19	6	130 - 49
AH135380	2C16	8	120 - 49	AH136572	2C16	15	120 - 49	AH138628	2F10	18	120 - 115
AH135380	2C20	8	120 - 53	AH136572	2C16	24	120 - 49	AH138629	2F12	44	120 - 117
AH135431	2I8	6	130 - 13	AH136572	2C16	..	120 - 49	AH138655	2H2	7	120 - 155
AH135432	2I8	6	130 - 13	AH136572	2C18	14	120 - 51	AH138891	2F4	5	120 - 109
AH135439	2I8	3	130 - 13	AH136604	2B8	17	120 - 17	AH138891	2F10	40	120 - 115
AH135440	2I8	17	130 - 13	AH136605	2B8	17	120 - 17	AH138893	2E8	..	120 - 89
AH135441	2I8	10	130 - 13	AH136638	2F10	21	120 - 115	AH138895	2E8	..	120 - 89
AH135442	2I16	2	130 - 21	AH137183	1B19	16	40 - 31	AH138955	2J2	13	130 - 31
AH135443	2I4	15	130 - 9	AH137183	2J10	2	130 - 39	AH138963	1H20	1	110 - 15
AH135444	2I8	19	130 - 13	AH137189	1C17	1	50 - 1	AH139061	1F5	29	70 - 47
AH135445	2I8	19	130 - 13	AH137189	1C17	2	50 - 1	AH139062	1E19	22	70 - 35
AH135461	2F10	41	120 - 115	AH137190	1C17	1	50 - 1	AH139062	1F5	11	70 - 47
AH135463	2I6	11	130 - 11	AH137190	1C17	2	50 - 1	AH139072	2J11	9	130 - 40
AH135463	2I14	1	130 - 19	AH137198	1E13	17	70 - 28	AH139072	2J11	10	130 - 40
AH135481	1G8	4	80 - 13	AH137198	1E13	22	70 - 28	AH139115	2F24	12	120 - 129
AH135492	1E4	6	70 - 18	AH137198	1E13	23	70 - 28	AH139115	2F24	15	120 - 129
AH135549	2F10	35A	120 - 115	AH137198	1E13	24	70 - 28	AH139134	1C17	5	50 - 1
AH135565	2D4	19	120 - 61	AH137198	1F5	13	70 - 47	AH139134	1C17	6	50 - 1
AH135572	2D24	30	120 - 81	AH137199	1E19	13	70 - 35	AH139137	1C25	26	50 - 9
AH135572	2E2	16	120 - 83	AH137199	1E19	22	70 - 35	AH139137	1C25	..	50 - 9
AH135573	2D24	20	120 - 81	AH137199	1F5	11	70 - 47	AH139138	1C23	11	50 - 7
AH135573	2E2	6	120 - 83	AH137200	1F1	13	70 - 42	AH139140	1D9	5	50 - 18
AH135579	2I14	14B	130 - 19	AH137200	1F1	19	70 - 42	AH139140	1D9	9	50 - 18
AH135633	1G10	6	80 - 15	AH137200	1F5	28	70 - 47	AH139140	1D9	..	50 - 18
AH135658	2D2	3	120 - 59	AH137233	2B2	4B	120 - 11	AH139180	2D12	10	120 - 69
AH135721	2F4	5	120 - 109	AH137235	2A21	1	120 - 5	AH139238	2D6	46	120 - 63
AH135721	2F10	40	120 - 115	AH137238	1C6	4	40 - 43	AH139238	2D6	48	120 - 63
AH135787	1B7	15	40 - 19	AH137256	2I18	3	130 - 23	AH139240	1E15	..	70 - 31
AH135837	2F10	33	120 - 115	AH137257	2I18	2	130 - 23	AH139240	1E17	4	70 - 33
AH135837	2F16	1	120 - 121	AH137288	2H4	25	120 - 157	AH139240	1E19	..	70 - 35
AH135929	1G2	5	80 - 7	AH137291	2H11	30	120 - 165	AH139240	1E20	4	70 - 36
AH135951	1A19	13	40 - 5	AH137291	2H11	37	120 - 165	AH139240	1E23	..	70 - 39
AH135996	2F2	3	120 - 107	AH137581	2H11	37	120 - 165	AH139240	1E24	4	70 - 40
AH136017	2F6	9	120 - 111	AH137592	1I2	1	110 - 21	AH139240	1F1	..	70 - 42
AH136017	2F6	12	120 - 111	AH137630	1I2	5	110 - 21	AH139240	1F2	4	70 - 43
AH136023	2J4	7	130 - 33	AH137630	2H5	10	120 - 158	AH139260	2F10	8	120 - 115
AH136047	1G2	9	80 - 7	AH137630	2I2	10	130 - 7	AH139260	2F16	9	120 - 121
AH136091	2I10	8	130 - 15	AH137631	1I2	9	110 - 21	AH139290	2F6	12	120 - 111
AH136126	2E22	36	120 - 103	AH137631	2H5	10	120 - 158	AH139295	1H10	22	110 - 5
AH136153	2J6	15	130 - 35	AH137631	2I2	10	130 - 7	AH139296	2E4	3	120 - 85
AH136162	1G23	8	80 - 29	AH137632	1I2	1	110 - 21	AH139296	2E8	12	120 - 89

1L13

9501 PULL-TYPE COMBINE

NUMERICAL INDEX - CONTINUED

PART NO.	GRID	KEY	PAGE	PART NO.	GRID	KEY	PAGE	PART NO.	GRID	KEY	PAGE
AH139296	2E22	25	120 - 103	AH141762	2D14	14	120 - 71	AH200095	1C19	4	50 - 3
AH139297	2B22	24	120 - 31	AH141762	2E6	25	120 - 87	AH200105	1C25	11	50 - 9
AH139313	2A23	3	120 - 7	AH141780	1H24	10	110 - 19	AH200106	1C25	4	50 - 9
AH139352	1H12	20	110 - 7	AH141780	1I6	14	110 - 25	AH200108	1C25	15	50 - 9
AH139388	2H23	18	130 - 3	AH141781	1H24	12	110 - 19	AH200109	1C25	14	50 - 9
AH139389	2H23	18	130 - 3	AH141781	1I6	15	110 - 25	AH200110	1C25	50	50 - 9
AH139391	2H23	18	130 - 3	AH141782	1H24	11	110 - 19	AH200111	1C23	3	50 - 7
AH139430	2K10	3	170 - 4	AH141807	1H12	1	110 - 7	AH200112	1D8	16	50 - 17
AH139432	2B4	17	120 - 13	AH141819	2C20	38	120 - 53	AH200119	1C25	25	50 - 9
AH139433	2B4	17	120 - 13	AH141820	2D6	30	120 - 63	AH200122	1C23	12	50 - 7
AH139436	2B12	12	120 - 21	AH141973	2D18	5	120 - 75	AH200123	1F20	4	80 - 1
AH139436	2E6	3	120 - 87	AH142010	1G8	1	80 - 13	AH200126	1F20	1	80 - 1
AH139436	2K10	3	170 - 4	AH142185	2I4	9	130 - 9	AH200135	2G10	9	120 - 139
AH139445	2A21	1	120 - 5	AH142188	2I4	9	130 - 9	AH200136	1D4	4	50 - 13
AH139610	1E4	6	70 - 18	AH142200	2I2	5	130 - 7	AH200136	2G10	12	120 - 139
AH139679	2F10	18	120 - 115	AH142203	2I2	5	130 - 7	AH200139	1D4	7	50 - 13
AH139679	2F14	20	120 - 119	AH142295	2J23	6	130 - 54	AH200141	1D8	9	50 - 17
AH139680	2F12	44	120 - 117	AH142295	2J23	11	130 - 54	AH200142	1D8	15	50 - 17
AH139680	2F14	19	120 - 119	AH142370	2B18	16A	120 - 27	AH200144	1C23	14	50 - 7
AH139768	2B4	17	120 - 13	AH142370	2B18	16B	120 - 27	AH200145	1D8	2	50 - 17
AH139791	2F10	40	120 - 115	AH142394	1I2	31	110 - 21	AH200145	1D9	2	50 - 18
AH139791	2F14	16	120 - 119	AH142450	1E15	35	70 - 31	AH200168	1D2	19	50 - 11
AH139916	2C22	7A	120 - 55	AH142450	1F5	12	70 - 47	AH200180	2D4	35	120 - 61
AH139916	2C22	7B	120 - 55	AH142999	2J10	2	130 - 39	AH200182	1D6	22	50 - 15
AH139918	2C22	7A	120 - 55	AH143033	1G17	10	80 - 23	AH200189	1D4	9	50 - 13
AH139918	2C22	7B	120 - 55	AH143048	2F10	21	120 - 115	AH200190	1D4	8	50 - 13
AH139919	1H22	18	110 - 17	AH143048	2F14	23	120 - 119	AH200193	1D4	5	50 - 13
AH140001	2J19	15	130 - 49	AH143218	1G17	12	80 - 23	AH200200	1D8	6	50 - 17
AH140003	2J17	22	130 - 47	AH143219	1G19	7	80 - 25	AH200201	1D8	1	50 - 17
AH140044	2B24	10	120 - 33	AH143303	1C21	..	50 - 5	AH200203	1D6	9	50 - 15
AH140044	2C4	2	120 - 37	AH143729	2J15	6	130 - 45	AH200205	2G10	7	120 - 139
AH140044	2C10	2	120 - 43	AH143745	1C6	6	40 - 43	AH200206	1D6	28	50 - 15
AH140113	1H24	9	110 - 19	AH143746	2D12	4	120 - 69	AH200216	1D6	1	50 - 15
AH140113	1I6	1	110 - 25	AH143747	2D12	5	120 - 69	AH200220	1D2	13	50 - 11
AH140120	1B22	7	40 - 34	AH143903	1C2	1A	40 - 39	AH200220	1D6	13	50 - 15
AH140129	2F10	35B	120 - 115	AH143903	1C2	1B	40 - 39	AH200225	2G10	18	120 - 139
AH140129	2F14	12	120 - 119	AH143904	1C2	1B	40 - 39	AH200231	2G10	3	120 - 139
AH140131	2B4	26	120 - 13	AH143904	2E12	5	120 - 93	AH200232	2G10	11	120 - 139
AH140213	2G24	8	120 - 153	AH143997	1C2	1A	40 - 39	AH200233	2G10	19	120 - 139
AH140334	2J13	6	130 - 43	AH144057	1C21	11	50 - 5	AH200234	2G10	6	120 - 139
AH140335	2J13	6	130 - 43	AH144058	1C21	17	50 - 5	AH200238	2G10	1	120 - 139
AH140417	2B4	..	120 - 13	AH144059	1C21	..	50 - 5	AH200239	2G10	14	120 - 139
AH140615	1H8	31	110 - 3	AH144068	2J22	4	130 - 53	AH200241	1H12	4	110 - 7
AH140620	2B22	19A	120 - 31	AH144079	2B22	19B	120 - 31	AH200250	1F5	29	70 - 47
AH140620	2B22	19B	120 - 31	AH144079	2B22	19C	120 - 31	AH200251	2I24	4	130 - 29
AH14080	2E8	6	120 - 89	AH144478	2F10	40	120 - 115	AH200252	2I24	13	130 - 29
AH140901	2J22	23	130 - 53	AH144524	1C21	19	50 - 5	AH200260	1C19	10	50 - 3
AH140902	1D21	20	70 - 9	AH144544	2B4	26	120 - 13	AH200262	1F24	3	80 - 5
AH140902	2G16	26	120 - 145	AH144545	2B4	26	120 - 13	AH200263	1G2	30	80 - 7
AH140903	1D21	..	70 - 9	AH145047	2J13	6	130 - 43	AH200278	1G4	4	80 - 9
AH140903	1D23	9	70 - 11	AH145048	2J13	6	130 - 43	AH200280	1B5	11	40 - 17
AH14097	2F24	1	120 - 129	AH145049	2J13	6	130 - 43	AH200280	1B7	1	40 - 19
AH140989	1B19	16	40 - 31	AH145051	2J6	1	130 - 35	AH200280	1B9	9	40 - 21
AH140989	2J10	2	130 - 39	AH145603	2C22	7B	120 - 55	AH200280	2K6	3	160 - 5
AH141038	1B17	2	40 - 29	AH145604	2C22	7B	120 - 55	AH200281	1B9	1	40 - 21
AH141042	2G6	7	120 - 135	AH145701	1C6	6	40 - 43	AH200281	1B11	1	40 - 23
AH141142	2H19	..	120 - 174	AH146116	2B4	..	120 - 13	AH200282	1A17	1	40 - 3
AH141184	2F24	27	120 - 129	AH200000	1C19	26	50 - 3	AH200286	2I22	31	130 - 27
AH141204	2B8	13	120 - 17	AH200003	1D8	14	50 - 17	AH200304	1G21	11	80 - 27
AH141389	2D4	18	120 - 61	AH200017	1F18	15	70 - 61	AH200310	1D19	13	70 - 7
AH141389	2D4	..	120 - 61	AH200019	1C25	17	50 - 9	AH200331	1G4	3	80 - 9
AH141389	2D6	1	120 - 63	AH200020	1C25	16	50 - 9	AH200332	1G4	1	80 - 9
AH141389	2D6	..	120 - 63	AH200061	1B17	24	40 - 29	AH200333	1G4	14	80 - 9
AH141393	2C20	37	120 - 53	AH200065	1C19	20	50 - 3	AH200367	1G21	1	80 - 27
AH141572	2H11	37	120 - 165	AH200084	1C19	7	50 - 3	AH200378	1F12	6	70 - 55
AH141577	2H23	12	130 - 3	AH200085	1C19	13	50 - 3	AH200378	1F17	2	70 - 60
AH141618	2B2	4C	120 - 11	AH200092	1C19	5	50 - 3	AH200380	1G6	2	80 - 11

1L14

9501 PULL-TYPE COMBINE

NUMERICAL INDEX - CONTINUED

PART NO.	GRID	KEY	PAGE	PART NO.	GRID	KEY	PAGE	PART NO.	GRID	KEY	PAGE
AH200394	1C19	17	50 - 3	AH200576	1H4	2	80 - 35	AH200816	1A19	28	40 - 5
AH200396	1G2	23	80 - 7	AH200577	1C19	14	50 - 3	AH200816	1A21	5	40 - 7
AH200398	1G4	13	80 - 9	AH200578	1B24	3	40 - 37	AH200816	1A21	7	40 - 7
AH200412	1110	1	110 - 29	AH200580	1D2	2	50 - 11	AH200816	1A21	9	40 - 7
AH200413	1110	5	110 - 29	AH200583	1D6	18	50 - 15	AH200816	1A21	12	40 - 7
AH200414	1D15	24	70 - 3	AH200584	1D2	11	50 - 11	AH200816	1A23	13	40 - 9
AH200415	1D15	20	70 - 3	AH200588	1C19	22	50 - 3	AH200818	1A17	10	40 - 3
AH200415	1D17	5	70 - 5	AH200591	1C19	3	50 - 3	AH200820	2B10	5	120 - 19
AH200415	1D19	21	70 - 7	AH200593	1H2	16	80 - 33	AH200827	1D8	10	50 - 17
AH200415	1F12	12	70 - 55	AH200595	1H2	12	80 - 33	AH21815	2I12	19	130 - 17
AH200417	1D15	29	70 - 3	AH200630	1E7	29	70 - 21	AH75167	1D19	3	70 - 7
AH200418	1D15	30	70 - 3	AH200631	1E7	26	70 - 21	AH75167	2G18	11	120 - 147
AH200419	1D15	27	70 - 3	AH200632	1E7	22	70 - 21	AH77279	1B17	23	40 - 29
AH200420	1D15	28	70 - 3	AH200637	1D4	11	50 - 13	AH77714	2J25	8	130 - 57
AH200421	1D15	16	70 - 3	AH200641	1A21	2	40 - 7	AH77724	1B17	16	40 - 29
AH200422	1D15	15	70 - 3	AH200643	1110	7	110 - 29	AH77884	2H23	31	130 - 3
AH200423	1D15	17	70 - 3	AH200645	1A21	4	40 - 7	AH80335	2I20	11	130 - 25
AH200424	1D15	14	70 - 3	AH200646	1A19	11	40 - 5	AH80384	2D12	4	120 - 69
AH200429	1110	11	110 - 29	AH200648	1B7	8	40 - 19	AH83545	2G14	7	120 - 143
AH200435	1H4	6	80 - 35	AH200649	1A17	2	40 - 3	AH84241	1I2	5	110 - 21
AH200437	1H4	7	80 - 35	AH200650	1B2	20	40 - 13	AH85276	2H9	8	120 - 163
AH200441	1H4	9	80 - 35	AH200650	1B3	3	40 - 14	AH85415	2F22	19	120 - 127
AH200461	1A19	21	40 - 5	AH200651	1A17	11	40 - 3	AH86897	2H5	10	120 - 158
AH200462	1A19	25	40 - 5	AH200652	1A19	15	40 - 5	AH86897	2H5	12	120 - 158
AH200463	1A19	27	40 - 5	AH200653	1A19	14	40 - 5	AH86897	2I2	8	130 - 7
AH200468	1A17	8	40 - 3	AH200654	1A19	12	40 - 5	AH87141	2D6	31	120 - 63
AH200470	1A17	1	40 - 3	AH200655	1C19	8	50 - 3	AH87765	2H5	10	120 - 158
AH200471	1A17	12	40 - 3	AH200659	1G15	2	80 - 21	AH87790	1E10	7	70 - 24
AH200486	2B10	10	120 - 19	AH200660	1G15	3	80 - 21	AH89486	1B7	9	40 - 19
AH200489	1D17	7	70 - 5	AH200663	1G15	10	80 - 21	AH89486	1B19	14	40 - 31
AH200490	1D17	2	70 - 5	AH200671	1G15	7	80 - 21	AH89486	2H16	2	120 - 171
AH200491	1D17	8	70 - 5	AH200672	1D2	6	50 - 11	AH89486	2H18	2	120 - 173
AH200492	1D17	1	70 - 5	AH200677	1H4	11	80 - 35	AH89496	1H12	30	110 - 7
AH200493	1D15	19	70 - 3	AH200678	1H4	14	80 - 35	AH89557	1A25	4	40 - 11
AH200494	1D15	18	70 - 3	AH200681	1H5	1	80 - 36	AH89557	1B2	3	40 - 13
AH200495	1D15	9	70 - 3	AH200684	2G12	5	120 - 141	AH89557	1B5	8	40 - 17
AH200496	1D15	10	70 - 3	AH200685	2G12	1	120 - 141	AH89557	1B7	6	40 - 19
AH200497	1D15	25	70 - 3	AH200688	2G12	6	120 - 141	AH89557	1B9	2	40 - 21
AH200498	1D25	20	70 - 13	AH200690	1C19	2	50 - 3	AH89557	1B9	7	40 - 21
AH200501	1E9	10	70 - 23	AH200695	1D6	12	50 - 15	AH89557	1B11	12	40 - 23
AH200504	2B10	11	120 - 19	AH200696	1D2	8	50 - 11	AH89557	1B17	14	40 - 29
AH200505	2B10	6	120 - 19	AH200708	2D4	30	120 - 61	AH89557	1B19	13	40 - 31
AH200506	2B10	1	120 - 19	AH200713	1G11	1	80 - 16	AH89557	1B21	6	40 - 33
AH200509	2B10	4	120 - 19	AH200730	1D2	9	50 - 11	AH89557	1B21	18	40 - 33
AH200514	1D19	16	70 - 7	AH200730	1D6	17	50 - 15	AH89557	1H24	20	110 - 19
AH200516	1D19	19	70 - 7	AH200737	1A21	10	40 - 7	AH89557	2J10	12	130 - 39
AH200517	1D19	20	70 - 7	AH200743	1A19	7	40 - 5	AH89557	2K6	2	160 - 5
AH200520	1H4	1	80 - 35	AH200744	1A19	9	40 - 5	AH89557	2K6	4	160 - 5
AH200522	1D19	10	70 - 7	AH200746	1A19	5	40 - 5	AH89918	2F10	39	120 - 115
AH200523	1D19	11	70 - 7	AH200748	1A19	16	40 - 5	AH90963	2J2	3	130 - 31
AH200527	2G8	3	120 - 137	AH200749	1A19	19	40 - 5	AH90990	1B7	5	40 - 19
AH200528	2G8	2	120 - 137	AH200753	1A19	6	40 - 5	AH90990	1B11	10	40 - 23
AH200538	1F10	17	70 - 53	AH200755	1A21	6	40 - 7	AH92957	1C25	6	50 - 9
AH200539	1F10	12	70 - 53	AH200772	1D2	12	50 - 11	AH93110	1H8	35	110 - 3
AH200540	1F10	1	70 - 53	AH200772	1D6	19	50 - 15	AH93141	1C23	22	50 - 7
AH200542	1F12	10	70 - 55	AH200775	1F18	14	70 - 61	AH93304	1C23	11	50 - 7
AH200543	1F12	9	70 - 55	AH200779	1110	10	110 - 29	AH93318	2E20	14	120 - 101
AH200544	1D15	6	70 - 3	AH200793	1C25	43	50 - 9	AH93343	1C17	2	50 - 1
AH200545	1D15	7	70 - 3	AH200798	1E7	18	70 - 21	AH93619	1C20	1	50 - 4
AH200547	1D15	34	70 - 3	AH200803	1D8	8	50 - 17	AH93631	1C21	11	50 - 5
AH200548	1D15	33	70 - 3	AH200806	1F18	13	70 - 61	AH93632	1C21	17	50 - 5
AH200549	1D15	31	70 - 3	AH200807	1F18	10	70 - 61	AH93745	1C20	3	50 - 4
AH200550	1D15	32	70 - 3	AH200808	1F17	1	70 - 60	AH93745	1F20	2	80 - 1
AH200551	1E9	19	70 - 23	AH200816	1A19	18	40 - 5	AH93781	1C21	3	50 - 5
AH200553	1F12	7	70 - 55	AH200816	1A19	22	40 - 5	AH93782	1C21	2	50 - 5
AH200560	1G4	7	80 - 9	AH200816	1A19	24	40 - 5	AH93852	1D10	8	50 - 19
AH200565	1G2	5	80 - 7	AH200816	1A19	26	40 - 5	AH93917	1C21	7	50 - 5

1L15

9501 PULL-TYPE COMBINE

NUMERICAL INDEX - CONTINUED

PART NO.	GRID	KEY	PAGE	PART NO.	GRID	KEY	PAGE	PART NO.	GRID	KEY	PAGE
AH93918	1C21	19	50 - 5	AZ10044	2H14	4	120 - 169	E50096	2A25	10	120 - 9
AH93991	1C25	29	50 - 9	AZ10044	2H23	3	130 - 3	E50613	1C21	8	50 - 5
AH93991	1C25	34	50 - 9	AZ10045	2G24	3	120 - 153	E50613	1C23	18	50 - 7
AH93991	1C25	36	50 - 9	AZ10045	2H11	13	120 - 165	E52205	1C21	1	50 - 5
AH93991	1C25	37	50 - 9	AZ10045	2H23	9	130 - 3	E53699	1H8	12	110 - 3
AH93991	1C25	..	50 - 9	AZ10045	2I6	2	130 - 11	E55662	2J6	8	130 - 35
AH94450	1D2	5	50 - 11	AZ19427	2C22	5	120 - 55	E58144	2E4	22	120 - 85
AH94450	1H10	11	110 - 5	AZ20216	2E18	15	120 - 99	E59406	2E18	10	120 - 99
AH94450	2E4	14	120 - 85	AZ47075	1E23	24	70 - 39	E61791	2G20	1	120 - 149
AH94450	2E16	10	120 - 97	AZ47075	1F5	10	70 - 47	E62089	1E15	6	70 - 31
AH94450	2I14	5	130 - 19	A15146	1H12	8	110 - 7	E62089	1E18	2	70 - 34
AH94480	1D9	9	50 - 18	A15146	2I14	18	130 - 19	E62089	1E19	6	70 - 35
AH94480	1D9	..	50 - 18	A15147	2C24	2C	120 - 57	E62089	1E21	2	70 - 37
AH94661	2J11	3	130 - 40	A15898	1D15	1	70 - 3	E62089	1E23	6	70 - 39
AH94853	2D6	24	120 - 63	A15898	2G18	12	120 - 147	E62089	1E25	2	70 - 41
AH94854	2D18	15	120 - 75	A25695	1H10	16	110 - 5	E62089	1F1	6	70 - 42
AH96244	2D4	15	120 - 61	A31867	1H10	10	110 - 5	E62089	1F3	2	70 - 44
AH96249	1A25	6	40 - 11	A31867	2B8	19	120 - 17	E62092	1E23	17	70 - 39
AH96359	1E15	..	70 - 31	A31870	1I8	3	110 - 27	E62092	1F1	17	70 - 42
AH96359	1E17	4	70 - 33	A31870	2G24	23	120 - 153	E62092	1E23	15	70 - 39
AH96359	1E19	..	70 - 35	A3581R	2I14	18	130 - 19	E62094	1E23	14	70 - 39
AH96359	1E20	4	70 - 36	A4655R	1E13	2	70 - 28	E62094	1F1	14	70 - 42
AH96359	1E23	..	70 - 39	A4655R	1E15	1	70 - 31	E62892	1F5	6	70 - 47
AH96359	1E24	4	70 - 40	A4655R	1E19	1	70 - 35	E62917	1E19	22	70 - 35
AH96359	1F1	..	70 - 42	A4655R	1E23	1	70 - 39	E62917	1F5	11	70 - 47
AH96359	1F2	4	70 - 43	A4655R	1F1	1	70 - 42	E62942	1E13	3	70 - 28
AH96585	2J2	5	130 - 31	A4655R	1F5	21	70 - 47	E62942	1E15	2	70 - 31
AH97031	2D6	7	120 - 63	BP12214	1H4	15	80 - 35	E62942	1E19	2	70 - 35
AH97031	2D22	11	120 - 79	BP13616	2E18	13	120 - 99	E62942	1E23	2	70 - 39
AH97340	1H10	2	110 - 5	BP13620	1H8	22	110 - 3	E62942	1F1	2	70 - 42
AH97642	1H22	17	110 - 17	BP13620	2E2	1	120 - 83	E62942	1F5	19	70 - 47
AH98118	2J11	1	130 - 40	B10604	2D22	3	120 - 79	E64256	2F4	13	120 - 109
AH98176	2H12	7	120 - 166	B11182	1C19	6	50 - 3	E64256	2J22	14	130 - 53
AH98901	1B21	14	40 - 33	B27370	2I20	12	130 - 25	E66618	1E15	24	70 - 31
AL14674	2B22	22	120 - 31	B27370	2I24	2	130 - 29	E66619	1E15	19	70 - 31
AL14674	2E4	50	120 - 85	B27835	2F10	35B	120 - 115	E66620	1E15	18	70 - 31
AL2976T	1C14	20	40 - 51	B28970	2F10	29	120 - 115	E70736	2B6	8	120 - 15
AM103480	2F24	4	120 - 129	B28970	2F14	7	120 - 119	E73557	1E13	1B	70 - 28
AM1717T	2D4	40	120 - 61	B2984R	2E18	14	120 - 99	E73558	1E13	1A	70 - 28
AN113330	1H8	29	110 - 3	B3118R	1H8	13	110 - 3	E74026	1D8	12	50 - 17
AN12151	1H8	19	110 - 3	B3118R	2D18	8	120 - 75	E74026	2K13	1	170 - 8
AN122518	1E15	21	70 - 31	B32630	1C4	2	40 - 41	E76372	2F10	37A	120 - 115
AN15237	2E20	10	120 - 101	C10232	1I2	10	110 - 21	E82510	1G15	6	80 - 21
AN15237	2I14	8	130 - 19	C10232	1I2	35	110 - 21	E82510	2K14	20	170 - 9
AN31004	1C25	42	50 - 9	C10232	2H5	10	120 - 158	E82514	1D8	12	50 - 17
AN31004	1H8	37	110 - 3	C10232	2I2	10	130 - 7	E82514	2K13	1	170 - 8
AP23601	2F10	39	120 - 115	C10233	2H5	10	120 - 158	E83620	1E15	18	70 - 31
AR21837	2E2	10	120 - 83	C10233	2I2	10	130 - 7	GN11175	1D8	11	50 - 17
AR28339	1G25	7	80 - 31	C10263	2H5	10	120 - 158	GN11175	2K13	2	170 - 8
AR42591	1B21	12	40 - 33	C10263	2I2	10	130 - 7	HZ5621H	1H2	7	80 - 33
AR60499	2D4	17	120 - 61	C12152	1A17	18	40 - 3	H100334	1C21	18	50 - 5
AR60499	2D6	12	120 - 63	C16054	1E7	16	70 - 21	H100796	2E8	22	120 - 89
AR62407	1B22	1	40 - 34	C565R	1D10	12	50 - 19	H101161	1A17	15	40 - 3
AR65005	1C15	1	40 - 52	E10018	2B18	19	120 - 27	H101297	2H4	15	120 - 157
AR65006	1C15	2	40 - 52	E10018	2E4	42	120 - 85	H101297	2H25	1	130 - 5
AR82993	1C25	22	50 - 9	E10018	2G24	4	120 - 153	H101317	1A17	16	40 - 3
AR84006	1C14	40	40 - 51	E10018	2H5	5	120 - 158	H101677	1I8	8	110 - 27
AR90369	2E2	8	120 - 83	E10018	2H11	14	120 - 165	H102497	1I8	7	110 - 27
AR90583	1C19	30	50 - 3	E10018	2H23	10	130 - 3	H102533	2B18	21	120 - 27
AR90861	2D24	19	120 - 81	E10018	2I6	3	130 - 11	H102533	2D6	38	120 - 63
AR91793	1A25	3	40 - 11	E12305	2D10	22	120 - 67	H102533	2E4	43	120 - 85
AR91793	1C12	42	40 - 49	E12379	2B12	22	120 - 21	H102844	1G2	7	80 - 7
AR94522	1D15	2	70 - 3	E12379	2H16	4	120 - 171	H102909	2J19	7	130 - 49
AR94522	1D19	4	70 - 7	E12379	2H18	6	120 - 173	H103264	2B16	18	120 - 25
AR94522	2G18	13	120 - 147	E12379	2K2	1	130 - 59	H103264	2G2	15	120 - 131
AT25226	1D10	6	50 - 19	E18993	2D16	6	120 - 73	H103264	2H14	5	120 - 169
AZ10044	2B22	5	120 - 31	E47782	2B8	20	120 - 17	H103264	2H23	4	130 - 3

1L16

9501 PULL-TYPE COMBINE

NUMERICAL INDEX - CONTINUED

PART NO.	GRID	KEY	PAGE	PART NO.	GRID	KEY	PAGE	PART NO.	GRID	KEY	PAGE
H103264	2J15	14	130 - 45	H113626	2B22	23	120 - 31	H119566	2J15	4	130 - 45
H103265	2C22	4	120 - 55	H113627	2D10	9	120 - 67	H119567	2J15	4	130 - 45
H103265	2J17	19	130 - 47	H113717	2J15	8	130 - 45	H119568	2J15	4	130 - 45
H103265	2J19	8	130 - 49	H113946	2D10	32	120 - 67	H119642	2B6	23	120 - 15
H103265	2J22	33	130 - 53	H113947	2D10	7	120 - 67	H119710	1I8	2	110 - 27
H103451	1B2	2	40 - 13	H114001	2D12	15	120 - 69	H119996	2J17	13	130 - 47
H103451	1C19	25	50 - 3	H114001	2F14	21B	120 - 119	H119997	2J17	12	130 - 47
H103537	1D10	4	50 - 19	H114020	2G12	2	120 - 141	H120194	2E22	21	120 - 103
H103538	1D10	19	50 - 19	H114100	2E2	3	120 - 83	H120198	2E20	25	120 - 101
H104793	1B15	3	40 - 27	H114134	2D24	24	120 - 81	H120362	1D25	16	70 - 13
H104793	2F8	5	120 - 113	H114270	2K12	8	170 - 7	H120362	1E9	6	70 - 23
H104794	1B15	4	40 - 27	H114379	2E6	19	120 - 87	H120362	2G16	3	120 - 145
H104794	2F8	4	120 - 113	H114395	2J17	10	130 - 47	H120379	1F22	19	80 - 3
H104795	1B15	8	40 - 27	H114411	1B17	8	40 - 29	H120499	1G25	14	80 - 31
H104795	2B18	7	120 - 27	H114432	1D25	10	70 - 13	H120499	2I20	10	130 - 25
H104796	1B15	7	40 - 27	H114535	2F4	9	120 - 109	H120847	2G16	19	120 - 145
H104796	2B18	8	120 - 27	H114536	2F4	15	120 - 109	H120924	2K14	14	170 - 9
H104855	1C10	9	40 - 47	H114537	2F4	10	120 - 109	H121040	2K16	7	170 - 11
H105353	1H8	18	110 - 3	H114538	2F4	14	120 - 109	H121110	1B11	7	40 - 23
H105519	2H4	16	120 - 157	H114687	2D10	34	120 - 67	H121134	2D16	4	120 - 73
H105578	2E4	57	120 - 85	H114688	2D10	38	120 - 67	H121163	1F10	14	70 - 53
H105590	1I8	9	110 - 27	H114689	2D10	44	120 - 67	H121168	1E3	11	70 - 17
H105909	1H8	11	110 - 3	H114709	2J15	9	130 - 45	H121168	2G16	20	120 - 145
H105912	1H8	2	110 - 3	H114738	2J22	42	130 - 53	H121391	1G25	2	80 - 31
H106073	1H8	25	110 - 3	H115179	2B6	16	120 - 15	H121391	2I20	34	130 - 25
H106246	1A19	2	40 - 5	H115318	1A17	19	40 - 3	H121575	2F22	11	120 - 127
H107389	2D18	16	120 - 75	H115596	2D16	8	120 - 73	H121576	2F22	15	120 - 127
H108291	1E3	12	70 - 17	H115599	2D18	1	120 - 75	H122309	1C17	7	50 - 1
H108745	1F10	11	70 - 53	H115673	2K12	11	170 - 7	H122372	1B11	15	40 - 23
H108889	1H22	4	110 - 17	H115755	2D6	13	120 - 63	H122372	2B22	11	120 - 31
H109093	2J13	1A	130 - 43	H115759	2D6	34	120 - 63	H122772	1D19	7	70 - 7
H109146	1C4	6	40 - 41	H115759	2D18	3	120 - 75	H122772	2G18	8	120 - 147
H109855	1I8	19	110 - 27	H115759	2K11	2	170 - 5	H123351	2K12	10	170 - 7
H110168	2D16	2	120 - 73	H115881	2D8	4	120 - 65	H123557	2D6	28	120 - 63
H110178	2B24	8	120 - 33	H115881	2D10	39	120 - 67	H123633	1H14	25	110 - 9
H110178	2C4	7	120 - 37	H115881	2D18	20	120 - 75	H123636	1H14	11	110 - 9
H110178	2C6	5	120 - 39	H115881	2K11	3	170 - 5	H123637	1H14	19	110 - 9
H110178	2C10	7	120 - 43	H115930	2D6	23	120 - 63	H123638	1H14	21	110 - 9
H110237	2D6	35	120 - 63	H116065	2D20	8	120 - 77	H123734	1I2	30	110 - 21
H110337	2D10	35	120 - 67	H116161	2E20	4	120 - 101	H124205	1C6	5	40 - 43
H110438	2K12	7	170 - 7	H116161	2H9	3	120 - 163	H124206	1C6	2	40 - 43
H110462	2D10	26	120 - 67	H116161	2J17	24	130 - 47	H124261	1D2	23	50 - 11
H110521	2D10	24	120 - 67	H116213	2G20	10	120 - 149	H125380	2E20	12	120 - 101
H110542	2D12	6	120 - 69	H116262	2J22	10	130 - 53	H125380	2K9	3	170 - 3
H110922	1H22	2	110 - 17	H116351	2J6	9	130 - 35	H125381	2E22	19	120 - 103
H110923	2K14	12	170 - 9	H116640	2K12	9	170 - 7	H125381	2F8	6	120 - 113
H111041	2D10	2	120 - 67	H116706	1E3	9	70 - 17	H125381	2K9	3	170 - 3
H111042	2D10	28	120 - 67	H116861	2D14	5	120 - 71	H125391	2D18	18	120 - 75
H111260	2D10	1	120 - 67	H116862	2D14	4	120 - 71	H125403	2G18	24	120 - 147
H111261	2D10	1	120 - 67	H116862	2E16	16	120 - 97	H125528	2D18	9	120 - 75
H111262	2D10	1	120 - 67	H116894	1E4	8	70 - 18	H125530	2D18	5	120 - 75
H111364	1A21	3	40 - 7	H116916	2E6	20	120 - 87	H125531	2D18	17	120 - 75
H112567	1D19	6	70 - 7	H117692	2F22	8	120 - 127	H125537	1G17	4	80 - 23
H112567	1D25	17	70 - 13	H117694	2F22	12	120 - 127	H125537	1G19	4	80 - 25
H112567	1E9	8	70 - 23	H117696	2F22	5	120 - 127	H125537	2I22	19	130 - 27
H112567	1E9	9	70 - 23	H117696	2F22	16	120 - 127	H125558	2B12	18	120 - 21
H112567	2G16	5	120 - 145	H117703	2D10	15	120 - 67	H125558	2E6	2	120 - 87
H112567	2G18	7	120 - 147	H117937	1E3	5	70 - 17	H125560	2E6	17	120 - 87
H112877	2D10	21	120 - 67	H117952	1B11	11	40 - 23	H125670	2I24	15	130 - 29
H113053	2J2	9	130 - 31	H117953	2A23	4	120 - 7	H125671	2I24	20	130 - 29
H113063	2D10	27	120 - 67	H117975	1D15	4	70 - 3	H125672	2I24	16	130 - 29
H113196	1A17	9	40 - 3	H118068	2A23	8	120 - 7	H125752	2I24	14	130 - 29
H113208	2D10	19	120 - 67	H118082	2D10	12	120 - 67	H125753	2I24	12	130 - 29
H113238	2D10	23	120 - 67	H118422	1B17	19	40 - 29	H125860	1D8	5	50 - 17
H113625	2B12	15	120 - 21	H118425	1B19	19	40 - 31	H126169	2E16	8	120 - 97
H113625	2B22	20	120 - 31	H118948	2H9	17	120 - 163	H126261	1H18	6	110 - 13
H113626	2B12	17	120 - 21	H119210	2D16	9	120 - 73	H126280	2J19	10	130 - 49

1L17

9501 PULL-TYPE COMBINE

NUMERICAL INDEX - CONTINUED

PART NO.	GRID	KEY	PAGE	PART NO.	GRID	KEY	PAGE	PART NO.	GRID	KEY	PAGE
H126302	1H18	11	110 - 13	H128081	2F6	2	120 - 111	H130262	2I20	31	130 - 25
H126334	2F4	2	120 - 109	H128082	2C16	25	120 - 49	H130349	1F22	10	80 - 3
H126334	2F12	45	120 - 117	H128082	2C20	23	120 - 53	H130355	2B22	14	120 - 31
H126334	2F20	3	120 - 125	H128082	2F6	2	120 - 111	H130362	1G25	16	80 - 31
H126335	2F4	1	120 - 109	H128083	2F6	2	120 - 111	H130363	1G25	12	80 - 31
H126336	2F4	6	120 - 109	H128084	2F6	2	120 - 111	H130363	2I22	26	130 - 27
H126345	1H10	12	110 - 5	H128098	2E18	1	120 - 99	H130388	2G6	5	120 - 135
H126345	1H18	12	110 - 13	H128111	2E18	7	120 - 99	H130431	1G6	9	80 - 11
H126345	1H22	3	110 - 17	H128114	2F10	35A	120 - 115	H130520	2K6	9	160 - 5
H126345	2K9	5	170 - 3	H128124	2F4	21	120 - 109	H130521	1G17	16	80 - 23
H126346	1H10	20	110 - 5	H128234	2C22	15	120 - 55	H130528	1I4	7	110 - 23
H126370	1H10	26	110 - 5	H128234	2F24	32	120 - 129	H130529	1I4	10	110 - 23
H126371	1H10	25	110 - 5	H128234	2K9	6	170 - 3	H130530	1I4	2	110 - 23
H126397	1H12	25	110 - 7	H128265	2E4	32	120 - 85	H130571	1I8	13	110 - 27
H126722	2D10	41	120 - 67	H128265	2G24	21	120 - 153	H130572	2B12	25	120 - 21
H126801	2J20	1	130 - 50	H128297	2D8	5	120 - 65	H130636	1H2	18	80 - 33
H126802	2J20	7	130 - 50	H128327	2E6	5	120 - 87	H130637	1B19	17	40 - 31
H126804	2J20	12	130 - 50	H128357	2F6	1	120 - 111	H130637	1B21	1	40 - 33
H126828	2H11	9	120 - 165	H128358	2F6	1	120 - 111	H130661	2H4	20	120 - 157
H126829	2D10	40	120 - 67	H128359	2F6	1	120 - 111	H130667	2H4	9	120 - 157
H126932	2B24	6	120 - 33	H128360	2F6	1	120 - 111	H130695	2B22	16	120 - 31
H126932	2C4	3	120 - 37	H128479	2J10	8	130 - 39	H130771	2J4	10	130 - 33
H126932	2C6	9	120 - 39	H128489	2J10	3A	130 - 39	H130826	1H14	17	110 - 9
H126932	2C10	3	120 - 43	H128515	1F10	15	70 - 53	H130903	2D6	3	120 - 63
H126933	2B24	7	120 - 33	H128576	2I6	9	130 - 11	H130922	2C2	20	120 - 35
H126933	2C4	6	120 - 37	H128709	2F10	6	120 - 115	H130930	1G13	3	80 - 19
H126933	2C6	6	120 - 39	H128861	2J4	1	130 - 33	H130930	2H4	4	120 - 157
H126933	2C10	6	120 - 43	H128877	2H25	7	130 - 5	H130930	2I2	6	130 - 7
H126934	2B24	5	120 - 33	H128884	1G10	1A	80 - 15	H130948	2F4	16	120 - 109
H126934	2C4	4	120 - 37	H128890	2I6	5	130 - 11	H130949	2F4	8	120 - 109
H126934	2C6	8	120 - 39	H129049	2I14	17	130 - 19	H130956	2H12	3	120 - 166
H126934	2C10	4	120 - 43	H129101	2D22	22	120 - 79	H130957	2G2	18	120 - 131
H126941	2B12	10	120 - 21	H129101	2E4	23	120 - 85	H130957	2H12	4	120 - 166
H127006	2B6	14	120 - 15	H129125	2E22	30	120 - 103	H130968	1F24	10	80 - 5
H127097	1G2	18	80 - 7	H129180	1H8	34	110 - 3	H131002	2B6	13	120 - 15
H127196	2D6	15	120 - 63	H129201	2F6	3	120 - 111	H131017	1B9	3	40 - 21
H127250	2I24	9	130 - 29	H129207	2D22	18	120 - 79	H131087	1I2	13	110 - 21
H127524	2B18	10	120 - 27	H129207	2D24	8	120 - 81	H131088	1I2	15	110 - 21
H127525	2B18	23	120 - 27	H129207	2E6	18	120 - 87	H131090	1I2	22	110 - 21
H127532	2A19	4	120 - 3	H129207	2H9	5	120 - 163	H131098	2E4	33	120 - 85
H127583	2D16	22	120 - 73	H129208	2E16	17	120 - 97	H131108	2A19	1	120 - 3
H127583	2F24	34	120 - 129	H129208	2E20	28	120 - 101	H131115	1D25	15	70 - 13
H127589	1E12	2	70 - 27	H129311	2D24	4	120 - 81	H131115	1E3	19	70 - 17
H127590	2D10	18	120 - 67	H129312	2D24	2	120 - 81	H131115	1E9	5	70 - 23
H127596	2D16	17	120 - 73	H129389	2I2	3	130 - 7	H131161	2F10	7	120 - 115
H127638	2I20	2	130 - 25	H129464	2J20	9	130 - 50	H131169	2E4	..	120 - 85
H127677	1G17	13	80 - 23	H129465	2J20	6	130 - 50	H131169	2K8	3	170 - 2
H127677	2I22	20	130 - 27	H129471	2J20	4	130 - 50	H131170	2E4	11	120 - 85
H127731	1H2	2	80 - 33	H129472	2J20	3	130 - 50	H131228	2D4	36	120 - 61
H127732	1H2	9	80 - 33	H129588	1F12	13	70 - 55	H131256	2J8	3	130 - 37
H127732	2D12	12	120 - 69	H129588	2I22	15	130 - 27	H131259	2J8	12	130 - 37
H127781	1H12	16	110 - 7	H129653	2J2	20	130 - 31	H131261	2J8	9	130 - 37
H127855	2D10	13	120 - 67	H129658	1H16	15	110 - 11	H131262	2J10	6	130 - 39
H127872	2H9	4	120 - 163	H129659	1I8	6	110 - 27	H131263	2J10	10	130 - 39
H127906	2E22	4	120 - 103	H129676	2D4	13	120 - 61	H131319	2C8	1	120 - 41
H127907	2E22	2	120 - 103	H129681	1H16	14	110 - 11	H131356	2J6	23	130 - 35
H127921	2J15	2	130 - 45	H129681	1I8	16	110 - 27	H131452	1H24	3	110 - 19
H127922	2J17	5	130 - 47	H129716	2J2	11	130 - 31	H131470	1G13	2	80 - 19
H127923	2E20	6	120 - 101	H129825	2I24	17	130 - 29	H131482	2D20	5	120 - 77
H127923	2J17	4	130 - 47	H129855	2J4	5	130 - 33	H131485	2D20	11	120 - 77
H127972	2B4	2	120 - 13	H129878	2D18	11	120 - 75	H131516	2C16	3	120 - 49
H127972	2D8	16	120 - 65	H129885	2I22	4	130 - 27	H131516	2C20	3	120 - 53
H127998	2J13	12	130 - 43	H130039	1G19	11	80 - 25	H131526	1G6	13	80 - 11
H128010	2D6	14	120 - 63	H130057	1G2	20	80 - 7	H131531	2C16	19	120 - 49
H128010	2D22	1	120 - 79	H130057	2A23	4	120 - 7	H131531	2C20	24	120 - 53
H128010	2K8	1	170 - 2	H130137	2J2	15	130 - 31	H131531	2I20	25	130 - 25
H128080	2F6	2	120 - 111	H130153	1A21	11	40 - 7	H131531	2I24	10	130 - 29

1L18

9501 PULL-TYPE COMBINE

NUMERICAL INDEX - CONTINUED

PART NO.	GRID	KEY	PAGE	PART NO.	GRID	KEY	PAGE	PART NO.	GRID	KEY	PAGE
H131531	2J25	2	130 - 57	H132926	1F22	20	80 - 3	H133812	2E22	14	120 - 103
H131543	1G23	6	80 - 29	H132937	2E18	11	120 - 99	H133828	2I22	14	130 - 27
H131604	2C16	5	120 - 49	H132938	2E18	16	120 - 99	H133843	1H14	4	110 - 9
H131604	2C20	5	120 - 53	H132948	1G23	4	80 - 29	H133989	1H16	3	110 - 11
H131607	2C16	7	120 - 49	H132949	1G23	10	80 - 29	H133990	1H16	4	110 - 11
H131607	2C20	7	120 - 53	H132976	2E22	31	120 - 103	H134002	1I2	3	110 - 21
H131608	2C16	6	120 - 49	H132986	1I6	11	110 - 25	H134025	2B18	25	120 - 27
H131608	2C20	6	120 - 53	H132988	1I6	9	110 - 25	H134028	2B16	10	120 - 25
H131612	2F10	16	120 - 115	H132998	2F6	13	120 - 111	H134029	2B16	1	120 - 25
H131612	2F20	9	120 - 125	H132998	2F8	1	120 - 113	H134055	2H14	7	120 - 169
H131638	2H11	18	120 - 165	H133024	2J22	13	130 - 53	H134065	2H11	31	120 - 165
H131639	2H11	17	120 - 165	H133025	2J22	26	130 - 53	H134068	2H11	6	120 - 165
H131661	2C16	18	120 - 49	H133026	2J22	17	130 - 53	H134085	1H12	13	110 - 7
H131661	2C20	21	120 - 53	H133031	2H12	8	120 - 166	H134088	1H18	10	110 - 13
H131673	2I20	20	130 - 25	H133060	1I6	8	110 - 25	H134118	2C2	16	120 - 35
H131674	2I20	17	130 - 25	H133081	2B22	30	120 - 31	H134118	2C8	19	120 - 41
H131675	2I20	15	130 - 25	H133143	2H23	14	130 - 3	H134140	1H14	16	110 - 9
H131743	1G2	17	80 - 7	H133145	2A21	1	120 - 5	H134151	2A25	16	120 - 9
H131865	2C24	1A	120 - 57	H133178	1B21	15	40 - 33	H134154	2A25	14	120 - 9
H131865	2D2	1	120 - 59	H133178	2J6	14	130 - 35	H134157	2A25	3	120 - 9
H131865	2I22	30	130 - 27	H133199	2E10	4	120 - 91	H134160	2A25	1	120 - 9
H131878	2B4	14	120 - 13	H133199	2E12	4	120 - 93	H134163	2A25	15	120 - 9
H132008	1G17	5	80 - 23	H133287	2C12	4	120 - 45	H134164	2A25	18	120 - 9
H132024	2I20	9	130 - 25	H133288	2C12	2	120 - 45	H134165	2A25	9	120 - 9
H132088	2I14	26	130 - 19	H133384	1B22	5	40 - 34	H134168	2A21	4	120 - 5
H132097	2J10	5	130 - 39	H133408	2E2	11	120 - 83	H134171	1B9	5	40 - 21
H132160	2B24	2	120 - 33	H133409	2E2	12	120 - 83	H134171	1G8	5	80 - 13
H132160	2C2	2	120 - 35	H133470	1F10	8	70 - 53	H134172	1B9	6	40 - 21
H132160	2C6	11	120 - 39	H133488	2K13	10	170 - 8	H134172	1G8	5	80 - 13
H132161	2B24	2	120 - 33	H133489	2E8	27	120 - 89	H134213	2B22	8A	120 - 31
H132161	2C2	2	120 - 35	H133508	1H16	22	110 - 11	H134229	2B6	6	120 - 15
H132208	2E4	10	120 - 85	H133541	2H11	2	120 - 165	H134230	2B6	1	120 - 15
H132208	2E8	19	120 - 89	H133579	2J17	15	130 - 47	H134232	2B6	4	120 - 15
H132227	2I2	9	130 - 7	H133584	2I20	1	130 - 25	H134286	2I4	1	130 - 9
H132288	2B24	12	120 - 33	H133598	2C8	23	120 - 41	H134287	2I4	2	130 - 9
H132288	2C4	9	120 - 37	H133598	2E4	56	120 - 85	H134308	2B22	29	120 - 31
H132289	2C10	9	120 - 43	H133599	2C2	27	120 - 35	H134308	2H2	1	120 - 155
H132290	2C6	3	120 - 39	H133600	2C8	22	120 - 41	H134308	2H23	20	130 - 3
H132291	2B24	11	120 - 33	H133601	2C8	22	120 - 41	H134314	2H2	2	120 - 155
H132291	2C4	8	120 - 37	H133602	2C2	27	120 - 35	H134317	2H2	4	120 - 155
H132292	2C10	8	120 - 43	H133603	2E4	47	120 - 85	H134317	2H6	2	120 - 159
H132293	2C6	2	120 - 39	H133618	2D4	26	120 - 61	H134335	2A23	7	120 - 7
H132298	2E8	7	120 - 89	H133618	2D6	23	120 - 63	H134338	2A23	13	120 - 7
H132328	1H8	24	110 - 3	H133621	2E4	52	120 - 85	H134339	2A23	11	120 - 7
H132539	1F22	8	80 - 3	H133632	2B8	18	120 - 17	H134359	2D24	11	120 - 81
H132539	2H23	6	130 - 3	H133633	2B8	8	120 - 17	H134383	1G10	8	80 - 15
H132542	2I20	23	130 - 25	H133638	2I18	9	130 - 23	H134414	1G10	10	80 - 15
H132662	2I22	11	130 - 27	H133638	2K16	4	170 - 11	H134417	2K6	8	160 - 5
H132666	2I20	32	130 - 25	H133639	2K13	3	170 - 8	H134418	2B8	5	120 - 17
H132686	1B24	9	40 - 37	H133639	2K13	4	170 - 8	H134420	2B8	6	120 - 17
H132687	1B24	5	40 - 37	H133640	2K12	13	170 - 7	H134463	2E4	20	120 - 85
H132708	2H4	3	120 - 157	H133640	2K13	5	170 - 8	H134464	1G2	20	80 - 7
H132800	2K6	11	160 - 5	H133641	2K16	3	170 - 11	H134506	1G2	15	80 - 7
H132812	1B17	6	40 - 29	H133642	2K13	7	170 - 8	H134603	2G24	27	120 - 153
H132813	1B17	6	40 - 29	H133643	2K14	17	170 - 9	H134603	2H5	8	120 - 158
H132822	1G17	17	80 - 23	H133645	1B19	9	40 - 31	H134605	2G24	25	120 - 153
H132822	1G19	12	80 - 25	H133645	1B21	2	40 - 33	H134606	2H5	7	120 - 158
H132825	1H10	8	110 - 5	H133649	2B12	3	120 - 21	H134647	2E24	8	120 - 105
H132837	1F6	5	70 - 48	H133659	1D25	19	70 - 13	H134652	2E24	12	120 - 105
H132853	1F6	3	70 - 48	H133659	1E9	7	70 - 23	H134652	2F2	16	120 - 107
H132857	1G17	15	80 - 23	H133667	2D22	8	120 - 79	H134654	2A25	6	120 - 9
H132857	1G23	7	80 - 29	H133686	2H11	29	120 - 165	H134666	1F22	2	80 - 3
H132900	1B24	7	40 - 37	H133690	1F12	3	70 - 55	H134667	2K16	6	170 - 11
H132901	2E22	33	120 - 103	H133690	2J22	31	130 - 53	H134678	2E24	6	120 - 105
H132902	2E24	1	120 - 105	H133728	1C6	3	40 - 43	H134716	2F24	21	120 - 129
H132902	2F2	6	120 - 107	H133768	2C14	5	120 - 47	H134733	1H12	17A	110 - 7
H132906	2G24	6	120 - 153	H133789	2C14	9	120 - 47	H134734	1I4	4	110 - 23

1L19

9501 PULL-TYPE COMBINE

NUMERICAL INDEX - CONTINUED

PART NO.	GRID	KEY	PAGE	PART NO.	GRID	KEY	PAGE	PART NO.	GRID	KEY	PAGE
H134735	114	3	110 - 23	H135850	2B12	18	120 - 21	H137869	2J22	12	130 - 53
H134760	2D24	18	120 - 81	H135850	2E6	7	120 - 87	H137916	2I10	6	130 - 15
H134760	2I6	13	130 - 11	H135860	1G10	3	80 - 15	H137919	2I10	12	130 - 15
H134760	2I14	4	130 - 19	H135898	1F5	20	70 - 47	H137939	1H12	24	110 - 7
H134773	2D4	2	120 - 61	H135923	2C16	2	120 - 49	H137939	2K6	6	160 - 5
H134826	2H4	22	120 - 157	H135923	2C20	2	120 - 53	H137947	2B8	12	120 - 17
H134831	1B9	7	40 - 21	H135965	1G17	11	80 - 23	H138085	2D8	1	120 - 65
H134853	2A23	6	120 - 7	H135965	1G19	8	80 - 25	H138303	2G2	13	120 - 131
H134887	1H20	3	110 - 15	H135974	1E3	16	70 - 17	H138344	2E2	23	120 - 83
H134889	2F18	8	120 - 123	H135988	2B4	24	120 - 13	H138423	1E7	13	70 - 21
H134896	1H14	9	110 - 9	H136013	1H14	3	110 - 9	H138423	2K13	9	170 - 8
H134962	2H14	12	120 - 169	H136015	1H14	6	110 - 9	H138423	2K14	18	170 - 9
H134963	2H14	13	120 - 169	H136047	2H4	6	120 - 157	H138435	1H22	23	110 - 17
H134996	2B20	14	120 - 29	H136054	2H4	8	120 - 157	H138435	2C22	12	120 - 55
H135017	2F24	40	120 - 129	H136055	2H4	8	120 - 157	H138435	2E8	29	120 - 89
H135036	2B8	16	120 - 17	H136094	2I8	1	130 - 13	H138435	2E22	5	120 - 103
H135037	2B8	16	120 - 17	H136095	2I8	1	130 - 13	H138435	2E22	16	120 - 103
H135072	1B19	6	40 - 31	H136144	1I6	7	110 - 25	H138435	2F8	8	120 - 113
H135072	1B21	4	40 - 33	H136179	2F10	30	120 - 115	H138435	2F24	42	120 - 129
H135154	1F14	10	70 - 57	H136179	2F14	8	120 - 119	H138435	2G24	1	120 - 153
H135192	2J2	24	130 - 31	H136186	2I10	10	130 - 15	H138435	2H11	36	120 - 165
H135193	2J2	26	130 - 31	H136209	2I12	8	130 - 17	H138435	2H14	1	120 - 169
H135209	2D2	4	120 - 59	H136257	2G2	5	120 - 131	H138435	2J19	1	130 - 49
H135225	2C16	2	120 - 49	H136279	2G6	11	120 - 135	H138435	2J22	38	130 - 53
H135225	2C20	2	120 - 53	H136280	2G4	1	120 - 133	H138592	2H23	15	130 - 3
H135235	2H5	10	120 - 158	H136299	2G6	9	120 - 135	H138930	2J6	19	130 - 35
H135245	1G2	8	80 - 7	H136300	2G6	8	120 - 135	H138989	1G8	14	80 - 13
H135246	2B8	4	120 - 17	H136304	2J25	5	130 - 57	H138989	2F2	17	120 - 107
H135286	2I12	5	130 - 17	H136306	2J25	4	130 - 57	H138989	2K12	1	170 - 7
H135287	2I12	9	130 - 17	H136572	2J2	25	130 - 31	H138989	2K14	15	170 - 9
H135292	2D6	47	120 - 63	H136573	2J2	27	130 - 31	H138989	2K16	5	170 - 11
H135292	2D6	48	120 - 63	H136582	2G24	30	120 - 153	H139006	2G6	10	120 - 135
H135309	2H11	22	120 - 165	H136609	2C2	23	120 - 35	H139007	2G4	11	120 - 133
H135392	1G2	4	80 - 7	H136611	2C2	24	120 - 35	H139008	2G4	15	120 - 133
H135395	2D24	10	120 - 81	H137188	2C8	20	120 - 41	H139056	1G19	5	80 - 25
H135396	2B22	13	120 - 31	H137203	2B6	20	120 - 15	H139056	2I22	2	130 - 27
H135405	2K14	21	170 - 9	H137204	2B6	21	120 - 15	H139098	2B8	22	120 - 17
H135410	2E4	2	120 - 85	H137215	2B16	21	120 - 25	H139132	2E10	7	120 - 91
H135410	2E8	13	120 - 89	H137225	1F14	1	70 - 57	H139132	2E12	7	120 - 93
H135410	2E22	24	120 - 103	H137225	2J6	20	130 - 35	H139338	1C4	5	40 - 41
H135422	2B16	16	120 - 25	H137227	2J6	21	130 - 35	H139359	1C17	10	50 - 1
H135423	2E4	37	120 - 85	H137261	1G2	27	80 - 7	H139392	2K12	3	170 - 7
H135452	2I12	14	130 - 17	H137264	2E8	21	120 - 89	H139393	2K12	4	170 - 7
H135453	2I12	17	130 - 17	H137264	2K9	4	170 - 3	H139431	2K14	16	170 - 9
H135454	2I12	2	130 - 17	H137266	2E8	7	120 - 89	H139512	1F5	14	70 - 47
H135475	2B18	18	120 - 27	H137276	2I2	10	130 - 7	H139513	1F5	7	70 - 47
H135476	1I6	9	110 - 25	H137296	1H20	4	110 - 15	H139515	1F5	24	70 - 47
H135493	2F24	8	120 - 129	H137303	1B9	8	40 - 21	H139545	2E20	24	120 - 101
H135494	2F24	23	120 - 129	H137343	1G8	8	80 - 13	H139545	2E22	10	120 - 103
H135511	2D24	29	120 - 81	H137356	2K14	13	170 - 9	H139667	2C16	24	120 - 49
H135512	2D24	9	120 - 81	H137389	2B20	14	120 - 29	H139667	2C18	1	120 - 51
H135519	2C22	9	120 - 55	H137403	2F18	5	120 - 123	H139667	2C20	31	120 - 53
H135538	2I8	13	130 - 13	H137426	2K16	2	170 - 11	H139670	2G2	10	120 - 131
H135542	2C2	14	120 - 35	H137570	2E22	9	120 - 103	H139709	2D12	1	120 - 69
H135544	2C2	15	120 - 35	H137585	2H2	9	120 - 155	H139837	1H16	23	110 - 11
H135588	2I16	9	130 - 21	H137602	2G16	33	120 - 145	H139937	2G4	5	120 - 133
H135590	2I16	12	130 - 21	H137603	2G16	28	120 - 145	H139938	2G4	4	120 - 133
H135590	2I18	12	130 - 23	H137606	2I12	21	130 - 17	H139948	2K12	6	170 - 7
H135599	2E8	25	120 - 89	H137721	2D20	5	120 - 77	H139948	2K14	19	170 - 9
H135622	2D24	27	120 - 81	H137729	2G18	14	120 - 147	H139964	2G14	6	120 - 143
H135623	2D24	28	120 - 81	H137814	2J22	41	130 - 53	H139969	2I16	10	130 - 21
H135641	1E7	2	70 - 21	H137815	2E8	36	120 - 89	H139972	2I22	25	130 - 27
H135713	2I6	6	130 - 11	H137817	2E8	34	120 - 89	H139988	2G4	8	120 - 133
H135776	1E23	26	70 - 39	H137817	2E8	..	120 - 89	H140019	2C16	12	120 - 49
H135776	1F1	21	70 - 42	H137830	2I6	15	130 - 11	H140020	2C22	16	120 - 55
H135776	1F5	16	70 - 47	H137830	2I14	10	130 - 19	H140043	2B4	2	120 - 13
H135849	2E6	2	120 - 87	H137830	2K11	1	170 - 5	H140043	2D8	16	120 - 65

1L20

9501 PULL-TYPE COMBINE

NUMERICAL INDEX - CONTINUED

PART NO.	GRID	KEY	PAGE	PART NO.	GRID	KEY	PAGE	PART NO.	GRID	KEY	PAGE
H140070	2C16	14	120 - 49	H141416	2C2	26	120 - 35	H145112	2F24	14	120 - 129
H140072	2C16	17	120 - 49	H141449	2J13	1B	130 - 43	H145243	2D18	11	120 - 75
H140074	1B17	18	40 - 29	H141450	2J13	13	130 - 43	H145275	2F8	12	120 - 113
H140074	2C16	15	120 - 49	H141500	1I4	7	110 - 23	H145316	2I12	5	130 - 17
H140096	2I8	15	130 - 13	H141563	2E20	27	120 - 101	H145317	2I12	9	130 - 17
H140097	2I8	11	130 - 13	H141564	2E20	7	120 - 101	H145319	2F12	53	120 - 117
H140122	1H12	10	110 - 7	H141565	2E20	3	120 - 101	H145319	2F16	7	120 - 121
H140149	2H18	4	120 - 173	H141580	2F8	12	120 - 113	H145530	2D6	3	120 - 63
H140160	2D4	32	120 - 61	H141673	2E20	3	120 - 101	H145639	2B8	18	120 - 17
H140160	2E16	12	120 - 97	H141713	1H14	12	110 - 9	H145706	2E2	22	120 - 83
H140160	2K9	1	170 - 3	H141713	1H14	20	110 - 9	H145773	2B4	25B	120 - 13
H140161	2G2	4	120 - 131	H141713	1H14	24	110 - 9	H145778	2F12	57	120 - 117
H140162	2G2	2	120 - 131	H141735	2D18	11	120 - 75	H145778	2F14	22	120 - 119
H140195	1H8	32	110 - 3	H141770	1G10	8	80 - 15	H145854	2F12	49	120 - 117
H140218	2C16	27	120 - 49	H141771	1G10	..	80 - 15	H145857	2F12	56	120 - 117
H140218	2C20	22	120 - 53	H141772	1G10	1B	80 - 15	H145857	2F14	18	120 - 119
H140225	1G2	3	80 - 7	H141835	1H14	5	110 - 9	H145857	2K14	16	170 - 9
H140247	2C2	3	120 - 35	H141883	2C16	28	120 - 49	H145858	2F12	56	120 - 117
H140397	2E10	3	120 - 91	H141883	2C20	29	120 - 53	H145858	2F14	18	120 - 119
H140397	2E12	3	120 - 93	H141955	1B22	6	40 - 34	H145880	2C24	1A	120 - 57
H140404	2E8	21	120 - 89	H141975	1H2	18	80 - 33	H145880	2C24	1B	120 - 57
H140404	2K9	4	170 - 3	H142055	2E2	11	120 - 83	H145880	2C24	3A	120 - 57
H140414	1B17	20	40 - 29	H142141	2F10	37B	120 - 115	H145880	2I22	29	130 - 27
H140414	2C18	10	120 - 51	H142141	2F14	13	120 - 119	H145955	2D18	1	120 - 75
H140467	2H11	25	120 - 165	H142143	2D22	22	120 - 79	H145970	2B4	2	120 - 13
H140467	2H14	14	120 - 169	H142183	1E15	22	70 - 31	H145970	2D8	16	120 - 65
H140627	1B22	3	40 - 34	H142188	2B16	6	120 - 25	H146308	2F12	49	120 - 117
H140628	1B13	2	40 - 25	H142189	2B16	5	120 - 25	H146308	2F14	15	120 - 119
H140628	1B22	2	40 - 34	H143277	2K13	11	170 - 8	H146310	2J22	41	130 - 53
H140677	2C16	8	120 - 49	H143331	1G10	10	80 - 15	H146389	2B8	4	120 - 17
H140677	2C16	..	120 - 49	H143332	2F6	3	120 - 111	H146389	2B10	4	120 - 19
H140677	2C18	5	120 - 51	H143385	2D6	3	120 - 63	H146394	2D18	17	120 - 75
H140677	2C20	14	120 - 53	H143387	2B2	3B	120 - 11	H146457	2B4	28B	120 - 13
H140678	2C18	2	120 - 51	H143389	2B2	2B	120 - 11	H146535	1F6	5	70 - 48
H140678	2C18	14	120 - 51	H143420	2E2	12	120 - 83	H146585	1H8	18	110 - 3
H140944	2E20	6	120 - 101	H143421	2E2	22	120 - 83	H146754	2B22	8A	120 - 31
H141033	2I8	11	130 - 13	H143453	1G17	18	80 - 23	H146754	2B22	8B	120 - 31
H141044	2I18	10	130 - 23	H143453	1G19	13	80 - 25	H146756	1G10	10	80 - 15
H141055	2E24	8	120 - 105	H143454	1G17	19	80 - 23	H146766	1H12	20	110 - 7
H141055	2F2	12	120 - 107	H143454	1G19	14	80 - 25	H146951	1H8	34	110 - 3
H141059	2E24	6	120 - 105	H143456	1H16	10	110 - 11	H147299	2I22	14	130 - 27
H141059	2F2	18	120 - 107	H143594	2B20	..	120 - 29	H147457	2C8	15A	120 - 41
H141060	2E24	6	120 - 105	H143615	2C16	25	120 - 49	H147457	2C8	15B	120 - 41
H141060	2F2	11	120 - 107	H143615	2C20	23	120 - 53	H147484	2B6	22	120 - 15
H141123	2I22	8	130 - 27	H143714	2G6	12	120 - 135	H147747	2C20	33	120 - 53
H141123	2J20	14	130 - 50	H143731	2B12	20	120 - 21	H147748	2C20	34	120 - 53
H141127	1B5	1	40 - 17	H143834	2B4	28B	120 - 13	H147789	2B12	3	120 - 21
H141127	1B5	2	40 - 17	H144013	1B9	8	40 - 21	H147845	2A21	1	120 - 5
H141127	1C6	9	40 - 43	H144037	2B4	24	120 - 13	H148061	2A25	3	120 - 9
H141138	2F12	58	120 - 117	H144038	2D18	5	120 - 75	H148063	2A25	1	120 - 9
H141138	2F14	11A	120 - 119	H144201	1I2	21	110 - 21	H148131	2D6	28	120 - 63
H141167	2I6	15	130 - 11	H144242	1C6	3	40 - 43	H148132	1H22	8	110 - 17
H141167	2I14	10	130 - 19	H144288	2F4	11	120 - 109	H148132	1H22	9	110 - 17
H141313	2C16	8	120 - 49	H144288	2F12	48	120 - 117	H148134	1H22	13	110 - 17
H141313	2C16	..	120 - 49	H144288	2F14	17	120 - 119	H148241	2D16	8	120 - 73
H141313	2C18	6	120 - 51	H144299	2F12	49	120 - 117	H148270	1B15	1	40 - 27
H141313	2C18	14	120 - 51	H144467	2B22	16	120 - 31	H148271	1B15	6	40 - 27
H141313	2C20	15	120 - 53	H144742	2B6	14	120 - 15	H148633	2H14	7	120 - 169
H141314	2C16	8	120 - 49	H144801	1C4	5	40 - 41	H148702	2J10	3A	130 - 39
H141314	2C18	3	120 - 51	H144823	2C24	3A	120 - 57	H148702	2J10	3B	130 - 39
H141314	2C20	12	120 - 53	H144823	2C24	3B	120 - 57	H148899	1C4	6	40 - 41
H141325	1B7	15	40 - 19	H144823	2I22	29	130 - 27	H148900	1C4	6	40 - 41
H141388	2F10	33	120 - 115	H144825	2C24	1C	120 - 57	H148925	2A23	8	120 - 7
H141388	2F16	15	120 - 121	H144826	1H20	4	110 - 15	H149026	2F14	9	120 - 119
H141406	1B5	1	40 - 17	H145052	1E19	22	70 - 35	H149027	2F14	9	120 - 119
H141406	1B5	2	40 - 17	H145052	1F5	11	70 - 47	H149037	2K12	7	170 - 7
H141410	2J4	5	130 - 33	H145112	2B18	6	120 - 27	H149062	2I18	9	130 - 23

1L21

9501 PULL-TYPE COMBINE

NUMERICAL INDEX - CONTINUED

PART NO.	GRID	KEY	PAGE	PART NO.	GRID	KEY	PAGE	PART NO.	GRID	KEY	PAGE
H149062	2K16	4	170 - 11	H200343	1F24	2	80 - 5	H77514	2B2	2A	120 - 11
H149063	2K13	3	170 - 8	H200344	1G21	8	80 - 27	H77698	2D4	8	120 - 61
H149064	2K12	13	170 - 7	H200345	1G6	8	80 - 11	H77698	2G16	17	120 - 145
H149064	2K13	5	170 - 8	H200346	1F24	15	80 - 5	H78340	2E18	4	120 - 99
H149065	2K16	3	170 - 11	H200347	1F24	16	80 - 5	H78340	2G16	31	120 - 145
H149066	2K13	7	170 - 8	H200357	2K13	6	170 - 8	H78354	1B3	2	40 - 14
H149067	2K14	17	170 - 9	H200358	2K12	2	170 - 7	H78354	1C19	1	50 - 3
H149090	2K16	2	170 - 11	H200358	2K12	5	170 - 7	H78354	1H4	13	80 - 35
H149092	1E7	13	70 - 21	H200362	2K12	12	170 - 7	H78354	2F22	4	120 - 127
H149092	2K13	9	170 - 8	H200363	2K13	4	170 - 8	H78354	2I22	32	130 - 27
H149092	2K14	18	170 - 9	H200365	2K13	8	170 - 8	H78557	1H2	5	80 - 33
H149096	1G8	4	80 - 13	H200371	1G6	6	80 - 11	H78856	1H22	9	110 - 17
H149096	1G8	14	80 - 13	H200372	1F24	4	80 - 5	H78884	1D9	1	50 - 18
H149096	2F2	17	120 - 107	H200373	1F24	13	80 - 5	H80197	1H22	8	110 - 17
H149096	2K12	1	170 - 7	H200379	1F24	17	80 - 5	H80228	2J17	8	130 - 47
H149096	2K14	15	170 - 9	H200402	1G2	12	80 - 7	H80821	1F8	8	70 - 51
H149096	2K16	5	170 - 11	H200800	1F12	5	70 - 55	H80821	2G20	11	120 - 149
H149099	2K12	6	170 - 7	H200800	1F12	15	70 - 55	H80821	2G22	8	120 - 151
H149099	2K14	19	170 - 9	H22802	1C21	20	50 - 5	H81662	1C19	27	50 - 3
H149102	2F4	11	120 - 109	H2383H	2E22	8	120 - 103	H81662	2K14	22	170 - 9
H149102	2F12	48	120 - 117	H23950	2E22	19	120 - 103	H82060	2I18	15	130 - 23
H149102	2F14	17	120 - 119	H23950	2F8	6	120 - 113	H82308	1D15	3	70 - 3
H149107	1C19	27	50 - 3	H25099	2E10	6	120 - 91	H82418	2E6	23	120 - 87
H149107	2K14	22	170 - 9	H25099	2E12	6	120 - 93	H82418	2E20	5	120 - 101
H149504	1H8	14	110 - 3	H26552	2H9	16	120 - 163	H82620	1C25	19	50 - 9
H149780	2J13	1C	130 - 43	H28031	2J25	7	130 - 57	H82620	2D4	7	120 - 61
H149793	2J11	5	130 - 40	H29623	2J2	18	130 - 31	H82620	2D6	33	120 - 63
H149869	2J11	4	130 - 40	H32147	2F6	4	120 - 111	H82988	2B16	22	120 - 25
H149992	2F12	58	120 - 117	H35481	1I10	3	110 - 29	H83089	2B18	16A	120 - 27
H149992	2F14	11A	120 - 119	H61901	1C17	4	50 - 1	H83795	2F24	26	120 - 129
H149992	2F14	11B	120 - 119	H63289	1D21	10	70 - 9	H84026	1I2	4	110 - 21
H149997	2B24	14	120 - 33	H64374	2F24	20	120 - 129	H84026	1I2	34	110 - 21
H149997	2C4	12	120 - 37	H64375	2F8	2	120 - 113	H84932	2F22	18	120 - 127
H149997	2C6	14	120 - 39	H64376	2B4	1	120 - 13	H84942	1I2	18	110 - 21
H149997	2C10	12	120 - 43	H64376	2D8	15	120 - 65	H84990	2F10	34	120 - 115
H149997	2H4	26	120 - 157	H64376	2J2	2	130 - 31	H84990	2F16	2	120 - 121
H150034	2C8	15B	120 - 41	H64584	1G25	3	80 - 31	H84991	2F12	43	120 - 117
H150091	2B22	8B	120 - 31	H64584	2I20	7	130 - 25	H84992	2F10	26	120 - 115
H150091	2B22	8C	120 - 31	H65108	1B3	2	40 - 14	H85015	2G24	22	120 - 153
H150117	2H23	15	130 - 3	H65108	1C19	1	50 - 3	H85184	1G15	8	80 - 21
H150317	1G2	18	80 - 7	H65108	1H4	13	80 - 35	H85184	2A19	7	120 - 3
H150749	1G8	8	80 - 13	H65108	2F22	4	120 - 127	H85184	2F10	31	120 - 115
H151068	2A23	14	120 - 7	H65108	2I22	32	130 - 27	H85233	2C16	21	120 - 49
H200116	2D4	29	120 - 61	H748DA	2D22	9	120 - 79	H85233	2C20	11	120 - 53
H200117	2D6	11	120 - 63	H75267	1C25	33	50 - 9	H85482	1H22	13	110 - 17
H200118	2D4	11	120 - 61	H75371	1C25	48	50 - 9	H86161	1D10	1	50 - 19
H200149	1G21	16	80 - 27	H75406	2B16	21	120 - 25	H86165	1D10	2	50 - 19
H200149	2D12	17	120 - 69	H75406	2B16	22	120 - 25	H86760	2H5	10	120 - 158
H200151	1G21	6	80 - 27	H75509	1C25	9	50 - 9	H86783	2D24	12	120 - 81
H200152	1G21	3	80 - 27	H75541	1E7	23	70 - 21	H871R	1H8	4	110 - 3
H200163	1G21	5	80 - 27	H75716	2G24	35	120 - 153	H871R	2D10	8	120 - 67
H200243	1H12	6	110 - 7	H75951	2B22	29	120 - 31	H87206	2E4	28	120 - 85
H200256	2I22	9	130 - 27	H75951	2H23	20	130 - 3	H87268	1B17	18	40 - 29
H200266	1E10	9	70 - 24	H75952	2H23	22	130 - 3	H87268	2C18	12	120 - 51
H200267	1E10	2	70 - 24	H75985	1H14	10	110 - 9	H87268	2C20	19	120 - 53
H200269	1G6	5	80 - 11	H75985	1H16	5	110 - 11	H87765	1H14	24	110 - 9
H200272	1G6	14	80 - 11	H75985	2H4	18	120 - 157	H88773	2H23	17	130 - 3
H200287	1G2	29	80 - 7	H75985	2H25	10	130 - 5	H88783	2F6	6	120 - 111
H200288	1G2	25	80 - 7	H76064	1B19	5	40 - 31	H88800	2F10	36	120 - 115
H200288	1G6	15	80 - 11	H76064	1B21	19	40 - 33	H88807	2F6	9	120 - 111
H200289	1G2	24	80 - 7	H76441	1D10	22	50 - 19	H88809	2F6	7	120 - 111
H200308	1G21	9	80 - 27	H76498	1D6	3	50 - 15	H89297	1H10	7	110 - 5
H200311	1G21	15	80 - 27	H76863	2C24	3A	120 - 57	H89515	2E10	11	120 - 91
H200312	1G21	13	80 - 27	H76863	2C24	4	120 - 57	H89515	2E12	11	120 - 93
H200313	1G21	12	80 - 27	H76863	2I22	29	130 - 27	H89525	2E4	29	120 - 85
H200314	1G21	10	80 - 27	H76933	2F24	28	120 - 129	H89544	1F22	13	80 - 3
H200342	1F24	5	80 - 5	H77512	2B2	3A	120 - 11	H89569	2I16	8	130 - 21

1L22

9501 PULL-TYPE COMBINE

NUMERICAL INDEX - CONTINUED

PART NO.	GRID	KEY	PAGE	PART NO.	GRID	KEY	PAGE	PART NO.	GRID	KEY	PAGE
H89569	2I18	8	130 - 23	H97322	1I2	17	110 - 21	JD39102	2H14	6	120 - 169
H89617	1H8	6	110 - 3	H97322	1I6	13	110 - 25	JD39102	2H23	5	130 - 3
H89853	2B4	23	120 - 13	H97410	1H22	15	110 - 17	JD39103	2G24	5	120 - 153
H89853	2B4	..	120 - 13	H97513	2D22	4	120 - 79	JD39103	2H11	15	120 - 165
H91205	2B16	14	120 - 25	H97574	2G24	19	120 - 153	JD39103	2H23	11	130 - 3
H91228	2F24	12	120 - 129	H97674	1A25	5	40 - 11	JD39103	2I6	4	130 - 11
H91771	1C25	35	50 - 9	H97675	1A25	1	40 - 11	JD39104	2C22	10	120 - 55
H91788	2E10	12	120 - 91	H97919	1I2	28	110 - 21	JD39104	2E4	3	120 - 85
H91788	2E12	12	120 - 93	H98494	1C4	6	40 - 41	JD39104	2E8	12	120 - 89
H91796	2F24	15	120 - 129	H98655	1H10	28	110 - 5	JD39104	2E22	25	120 - 103
H93399	2E8	26	120 - 89	H98765	1C4	1	40 - 41	JD39104	2J17	20	130 - 47
H93556	1H14	2	110 - 9	H98765	1F12	1	70 - 55	JD39104	2J19	9	130 - 49
H93630	2D6	26	120 - 63	H98765	2J22	2	130 - 53	JD39104	2J22	34	130 - 53
H93631	2D6	25	120 - 63	H98896	2F8	2	120 - 113	JD39109	2E4	53	120 - 85
H93645	2D8	3	120 - 65	H98906	1H8	14	110 - 3	JD5255	1G15	6	80 - 21
H93681	1D10	20	50 - 19	H99025	2F12	43	120 - 117	JD5255	2K14	20	170 - 9
H93890	1C25	26	50 - 9	H99147	1D2	18	50 - 11	JD5401	2K16	6	170 - 11
H93890	1C25	..	50 - 9	H99147	1D6	27	50 - 15	JD5592	2K16	1	170 - 11
H93891	1C25	26	50 - 9	H99147	2D16	13	120 - 73	JD7378	1D10	14	50 - 19
H93891	1C25	..	50 - 9	H99147	2D22	16	120 - 79	JD7441	2D10	29	120 - 67
H93892	1C25	26	50 - 9	H99147	2E6	11	120 - 87	JD7681	2I12	13	130 - 17
H93892	1C25	..	50 - 9	H99147	2E16	4	120 - 97	JD7686	2D24	22	120 - 81
H93893	1C25	26	50 - 9	H99147	2E20	20	120 - 101	JD7689	2I12	11	130 - 17
H93893	1C25	..	50 - 9	H99147	2E22	35	120 - 103	JD7759	2B4	11	120 - 13
H93927	1H22	27	110 - 17	H99147	2G10	17	120 - 139	JD7759	2B12	23	120 - 21
H94011	1D10	18	50 - 19	H99147	2H9	12	120 - 163	JD7759	2C20	35	120 - 53
H94167	2B18	24	120 - 27	H99147	2I14	13	130 - 19	JD7759	2D8	9	120 - 65
H94386	2D14	13	120 - 71	H99149	2B4	3	120 - 13	JD7759	2D16	1	120 - 73
H94386	2E6	24	120 - 87	H99149	2D8	12	120 - 65	JD7759	2D18	4	120 - 75
H94387	1D6	21	50 - 15	H99303	1I8	10	110 - 27	JD7759	2E8	5	120 - 89
H94389	1D9	5	50 - 18	H99613	2J11	2	130 - 40	JD7760	1C21	9	50 - 5
H94389	1D9	..	50 - 18	H99613	2J11	3	130 - 40	JD7760	1C23	17	50 - 7
H94393	1C17	5	50 - 1	H99923	1C19	9	50 - 3	JD7760	1C23	27	50 - 7
H94394	1C17	6	50 - 1	H99923	1C23	24	50 - 7	JD7760	1C25	1	50 - 9
H94510	1D2	10	50 - 11	H99923	1D4	10	50 - 13	JD7767	2B18	15	120 - 27
H94510	1D6	16	50 - 15	H99923	1D4	14	50 - 13	JD7768	2B18	15	120 - 27
H94747	1G15	4	80 - 21	H99923	1D9	8	50 - 18	JD7778	2J2	19	130 - 31
H94748	1G15	5	80 - 21	H99923	1D15	8	70 - 3	JD7781	1D4	6	50 - 13
H94995	1C23	28	50 - 7	H99923	1D15	21	70 - 3	JD7788	2B12	29	120 - 21
H94997	1C23	16	50 - 7	H99923	1D15	22	70 - 3	JD7788	2B22	2	120 - 31
H94998	1C23	7	50 - 7	H99923	1D15	23	70 - 3	JD7788	2D6	21	120 - 63
H94999	1C21	6	50 - 5	H99923	1D15	26	70 - 3	JD7788	2E18	18	120 - 99
H95042	1E4	7	70 - 18	H99923	1D19	14	70 - 7	JD7797	2D4	4	120 - 61
H95100	1C23	23	50 - 7	H99923	1E7	17	70 - 21	JD7797	2D10	25	120 - 67
H95120	1C25	30	50 - 9	H99923	1E7	28	70 - 21	JD7797	2E4	38	120 - 85
H95174	1C25	38	50 - 9	H99923	1F12	11	70 - 55	JD7797	2E22	26	120 - 103
H95417	1H22	16	110 - 17	H99923	1G4	2	80 - 9	JD7797	2G24	20	120 - 153
H95499	1H10	17	110 - 5	H99923	1H4	8	80 - 35	JD7797	2J11	14	130 - 40
H95874	1C21	5	50 - 5	H99923	2B4	18	120 - 13	JD7797	2J22	25	130 - 53
H96148	2J11	4	130 - 40	H99923	2B4	28A	120 - 13	JD7798	1D10	17	50 - 19
H96149	2J2	7	130 - 31	H99923	2B4	..	120 - 13	JD7798	2D6	27	120 - 63
H96169	2J2	1	130 - 31	H99923	2G12	9	120 - 141	JD7798	2G10	10	120 - 139
H96227	2D18	12	120 - 75	JD10010	1H8	15	110 - 3	JD7806	2D18	6	120 - 75
H96228	2J6	3	130 - 35	JD10011	1H8	21	110 - 3	JD7806	2J6	2	130 - 35
H96228	2J11	13	130 - 40	JD10011	2E2	2	120 - 83	JD7839	2D16	10	120 - 73
H96232	2D18	13	120 - 75	JD10017	2D4	23	120 - 61	JD7844	2F16	5	120 - 121
H96267	2J2	6	130 - 31	JD10017	2D6	19	120 - 63	JD7845	2B4	9	120 - 13
H96294	2J2	14	130 - 31	JD10032	2D10	45	120 - 67	JD7845	2B12	19	120 - 21
H96297	2J2	13	130 - 31	JD10035	2E18	15	120 - 99	JD7845	2D4	24	120 - 61
H96298	2J2	13	130 - 31	JD10214	2D10	30	120 - 67	JD7845	2D8	11	120 - 65
H96345	2J11	8	130 - 40	JD10312	2E18	9	120 - 99	JD7845	2H16	1	120 - 171
H96346	2J11	5	130 - 40	JD10342	2B4	7	120 - 13	JD7845	2H18	3	120 - 173
H96645	2J15	16	130 - 45	JD10342	2D8	6	120 - 65	JD7846	2E4	5	120 - 85
H96652	2J6	12	130 - 35	JD10343	2B4	8	120 - 13	JD7846	2E8	15	120 - 89
H96690	2C8	12	120 - 41	JD10343	2D8	13	120 - 65	JD7846	2F10	10	120 - 115
H97306	2D6	40	120 - 63	JD10387	2F10	8	120 - 115	JD8239	2D10	3	120 - 67
H97322	1H24	13	110 - 19	JD10387	2F16	4	120 - 121	JD8240	1C25	40	50 - 9

1L23

9501 PULL-TYPE COMBINE

NUMERICAL INDEX - CONTINUED

PART NO.	GRID	KEY	PAGE	PART NO.	GRID	KEY	PAGE	PART NO.	GRID	KEY	PAGE
JD8247	1C25	8	50 - 9	M40333	1G4	10	80 - 9	P46402	1D6	25	50 - 15
JD8248	1D10	11	50 - 19	M40333	1110	6	110 - 29	P46402	2D14	8	120 - 71
JD8255	1C25	27	50 - 9	M41029	1F8	1	70 - 51	P46402	2D22	13	120 - 79
JD8296	1D10	13	50 - 19	M41029	2G20	2	120 - 149	P46402	2E6	8	120 - 87
JD8524	2J2	8	130 - 31	M41029	2G22	1	120 - 151	P46402	2E16	1	120 - 97
JD8551	1I2	27	110 - 21	M43835	1C10	2	40 - 47	P46402	2E20	17	120 - 101
JD8552	1I2	29	110 - 21	M45123	2D12	3	120 - 69	P46402	2H9	9	120 - 163
JD8554	2B16	20	120 - 25	M45937	1A17	6	40 - 3	P46402	2I14	11	130 - 19
JD8554	2F24	11	120 - 129	M48869	1F8	3	70 - 51	P46874	1H18	5	110 - 13
JD8554	2G2	17	120 - 131	M48869	2G20	4	120 - 149	P46874	2I12	10	130 - 17
JD8554	2J15	13	130 - 45	M48869	2G22	3	120 - 151	P47159	1F22	17	80 - 3
JD8563	2F24	18	120 - 129	M63707	2D10	17	120 - 67	P47885	2E22	19	120 - 103
JD8576	1H18	8	110 - 13	M63707	2D12	11	120 - 69	P47885	2K9	3	170 - 3
JD8576	2F10	11	120 - 115	M66044	1B21	21	40 - 33	P48067	2F10	36	120 - 115
JD8576	2F16	10	120 - 121	M68701	1G17	14	80 - 23	P48691	2D6	29	120 - 63
JD8579	1C23	5	50 - 7	M68701	1G19	10	80 - 25	P48703	1D10	21	50 - 19
JD8665	2B18	11	120 - 27	M72598	1G11	2	80 - 16	P50273	2E20	11	120 - 101
JD8665	2F24	7	120 - 129	M72598	1H12	19	110 - 7	P50456	1H22	7	110 - 17
JD8665	2J15	15	130 - 45	M73000	1H22	22	110 - 17	P51212	1E15	23	70 - 31
JD8668	2D4	22	120 - 61	M73346	2E2	13B	120 - 83	RE11154	1C12	57	40 - 49
JD8668	2D6	18	120 - 63	M74470	2G12	7	120 - 141	RE11154	1C14	40	40 - 51
JD8669	2D6	19	120 - 63	M84309	2C16	19	120 - 49	RE11156	1C12	36	40 - 49
JD8819	1H8	9	110 - 3	M84309	2C20	24	120 - 53	RE11157	1C12	37	40 - 49
JD8922	1C25	7	50 - 9	M84309	2I20	25	130 - 25	RE12330	1C8	14	40 - 45
JD8960	2D10	4	120 - 67	M84309	2I24	10	130 - 29	RE12331	1C8	12	40 - 45
JD8965	1C25	28	50 - 9	M84309	2J25	2	130 - 57	RE12332	1C8	18	40 - 45
JD9014	1C25	39	50 - 9	M84972	2I16	6	130 - 21	RE12333	1C8	21	40 - 45
JD9018	1D10	10	50 - 19	M84972	2I18	6	130 - 23	RE12334	1C8	8	40 - 45
JD9062	1C25	23	50 - 9	M86436	1B5	1	40 - 17	RE12362	1B19	20	40 - 31
JD9124	1C25	24	50 - 9	M86436	1B5	2	40 - 17	RE12362	1C8	4	40 - 45
JD9201	1H22	26	110 - 17	M86958	2E2	13A	120 - 83	RE12363	1B7	13	40 - 19
JD9201	2B12	14	120 - 21	M93425	1H12	29	110 - 7	RE12363	1B9	11	40 - 21
JD9202	1H22	28	110 - 17	M95728	2G2	11	120 - 131	RE12363	1B11	8	40 - 23
JD9219	2I10	5	130 - 15	N110085	2G24	29	120 - 153	RE12363	1B11	13	40 - 23
JD9273	2B18	4	120 - 27	N110085	2H9	7	120 - 163	RE12363	1B13	10	40 - 25
JD9273	2G2	16	120 - 131	N110085	2K11	4	170 - 5	RE12363	1B19	21	40 - 31
JD9301	1H18	4	110 - 13	N115096	1C10	11	40 - 47	RE12363	1B21	23	40 - 33
JD9305	1C23	2	50 - 7	N117501	2E2	13A	120 - 83	RE12363	1B21	24	40 - 33
JD9313	2G24	11	120 - 153	N130666	1D4	1	50 - 13	RE12363	1C4	8	40 - 41
JD9313	2H5	6	120 - 158	N130666	1F18	4	70 - 61	RE12363	1C8	11	40 - 45
JD9356	1H18	7	110 - 13	N130666	2G10	21	120 - 139	RE12363	1C8	16	40 - 45
JD9434	2B12	16	120 - 21	N14820	2E10	8	120 - 91	RE12365	1C8	20	40 - 45
JD9442	2F24	17	120 - 129	N14820	2E12	8	120 - 93	RE12366	1B19	23	40 - 31
JD9490	2B22	6	120 - 31	N15764	2I10	4	130 - 15	RE12366	1C8	25	40 - 45
J16931	1F12	2	70 - 55	N166516	1C23	1	50 - 7	RE19304	1C17	2	50 - 1
J16931	2F12	59	120 - 117	N184228	1H12	9	110 - 7	RE20768	2D24	19	120 - 81
J16931	2H11	5	120 - 165	N195027	2E2	9	120 - 83	RE31702	1D10	8	50 - 19
J16931	2J22	40	130 - 53	N240944	1F18	16	70 - 61	RE39122	1A17	3	40 - 3
J18468	2J15	18	130 - 45	N33920	1A17	18	40 - 3	RV810A	2H4	14	120 - 157
J21022	2G24	15	120 - 153	N52258	2B22	7	120 - 31	RV810A	2H25	3	130 - 5
J2375M	1E7	1	70 - 21	N61654	2D14	3	120 - 71	R100373	1A17	4	40 - 3
K40003	2G10	4	120 - 139	N61654	2E16	13	120 - 97	R20135	2D16	3	120 - 73
K40003	2J15	5	130 - 45	N71921	2J2	4	130 - 31	R20136	1H22	11	110 - 17
K40994	1E19	15	70 - 35	N71922	1H8	20	110 - 3	R26375	1D15	5	70 - 3
L1526N	2I4	5	130 - 9	N72989	2J11	12	130 - 40	R26375	1D19	2	70 - 7
L2282N	1C25	31	50 - 9	N72989	2J15	1	130 - 45	R26375	1E3	1	70 - 17
L3483N	2G16	23	120 - 145	PM13002020	1C21	..	50 - 5	R26375	1E7	19	70 - 21
MG514101	1D4	1	50 - 13	PM797NA	1C12	57	40 - 49	R26375	1E10	16	70 - 24
MG514101	1F18	4	70 - 61	PM900-2648	1C21	2	50 - 5	R26375	1F1	22	70 - 42
MG514101	2G10	21	120 - 139	PM900-2648	1C21	3	50 - 5	R26375	1F5	26	70 - 47
M15973	2B18	1	120 - 27	PT94	1C25	32	50 - 9	R26375	1F10	9	70 - 53
M2023T	1C19	12	50 - 3	P37172	1C23	25	50 - 7	R26375	1H8	39	110 - 3
M2211T	1C17	9	50 - 1	P37172	1C25	3	50 - 9	R26375	2E2	17	120 - 83
M2300T	2F24	14	120 - 129	P43363	2E22	22	120 - 103	R26375	2G18	10	120 - 147
M2353T	2D16	15	120 - 73	P44439	2F24	6	120 - 129	R26375	2I12	15	130 - 17
M2952DN	1H10	3	110 - 5	P44478	2J22	39	130 - 53	R26448	1D21	17	70 - 9
M40333	1B24	4	40 - 37	P46402	1D2	15	50 - 11	R26448	1E3	23	70 - 17

1L24

9501 PULL-TYPE COMBINE

NUMERICAL INDEX - CONTINUED

PART NO.	GRID	KEY	PAGE	PART NO.	GRID	KEY	PAGE	PART NO.	GRID	KEY	PAGE
R26448	1E10	10	70 - 24	R48887	1C10	17	40 - 47	R77457	1C10	29	40 - 47
R26448	1E12	6	70 - 27	R50642	2I20	19	130 - 25	R77458	1C10	28	40 - 47
R26448	1E15	27	70 - 31	R50770	2D20	12	120 - 77	R77459	1C10	28	40 - 47
R26448	1E16	3	70 - 32	R52667	2K4	1	160 - 2	R77460	1C10	28	40 - 47
R26448	1E23	22	70 - 39	R55151	1D10	7	50 - 19	R77461	1C10	28	40 - 47
R26448	1F5	3	70 - 47	R56722	2E4	27	120 - 85	R77462	1C10	25	40 - 47
R26448	1F10	7	70 - 53	R56930	1F14	17	70 - 57	R77463	1B5	1	40 - 17
R26906	1D19	18	70 - 7	R57003	2F2	..	120 - 107	R77463	1B5	2	40 - 17
R26906	1D25	5	70 - 13	R59074	1D10	9	50 - 19	R77463	1B11	5	40 - 23
R26906	1E9	1	70 - 23	R62192	2D24	21	120 - 81	R77463	1C10	30	40 - 47
R26906	1E13	20	70 - 28	R62502	1H22	14	110 - 17	R77464	1C10	26	40 - 47
R26906	1E23	16	70 - 39	R65044	1A19	3	40 - 5	R77464	1F5	17	70 - 47
R26906	1F1	16	70 - 42	R65593	1C14	2	40 - 51	R77465	1B5	1	40 - 17
R26906	1H8	30	110 - 3	R65594	1C14	9	40 - 51	R77465	1B5	2	40 - 17
R26906	2G16	11	120 - 145	R65595	1C14	21	40 - 51	R77465	1B7	14	40 - 19
R26906	2G18	18	120 - 147	R65596	1C14	22	40 - 51	R77465	1B17	19	40 - 29
R27175	1E10	15	70 - 24	R65597	1C14	23	40 - 51	R77465	1C10	31	40 - 47
R27218	1E10	11	70 - 24	R65598	1C14	24	40 - 51	R77466	1C10	33	40 - 47
R27564	2D6	45	120 - 63	R65599	1C14	25	40 - 51	R77467	1C10	34	40 - 47
R27899	1C23	21	50 - 7	R65600	1C14	26	40 - 51	R77468	1C10	32	40 - 47
R28782	1E15	20	70 - 31	R65601	1C14	27	40 - 51	R77469	1C12	35	40 - 49
R28782	1E19	19	70 - 35	R65602	1C12	49	40 - 49	R77470	1C12	45	40 - 49
R28782	1E22	4	70 - 38	R65602	1C14	28	40 - 51	R77471	1C12	45	40 - 49
R29936	1D25	2	70 - 13	R65603	1C14	29	40 - 51	R77472	1C12	45	40 - 49
R29936	1E9	14	70 - 23	R65604	1C14	30	40 - 51	R77473	1C12	45	40 - 49
R29936	1E10	12	70 - 24	R65605	1C14	31	40 - 51	R77474	1C12	44	40 - 49
R29936	2G14	4	120 - 143	R65606	1C14	32	40 - 51	R77475	1C10	13	40 - 47
R29936	2G16	13	120 - 145	R65607	1C12	46	40 - 49	R77476	1C10	3	40 - 47
R30378	1C12	43	40 - 49	R65607	1C14	33	40 - 51	R77477	1C10	4	40 - 47
R30815	1E7	27	70 - 21	R65608	1C14	3	40 - 51	R77478	1C10	15	40 - 47
R30903	1E19	14	70 - 35	R65609	1C14	6	40 - 51	R77479	1C10	5	40 - 47
R31250	1B21	13	40 - 33	R65610	1C14	7	40 - 51	R77480	1C10	6	40 - 47
R32011	1C14	8	40 - 51	R66197	1H8	1	110 - 3	R77481	1C10	7	40 - 47
R32016	1C14	10	40 - 51	R66319	1C14	1	40 - 51	R77482	1C10	8	40 - 47
R32017	1C14	11	40 - 51	R66320	1C10	24	40 - 47	R77483	1C10	16	40 - 47
R32018	1C14	12	40 - 51	R66320	1C14	5	40 - 51	R77484	1C10	19	40 - 47
R32019	1C14	13	40 - 51	R66321	1C10	24	40 - 47	R77485	1C10	21	40 - 47
R32021	1C14	14	40 - 51	R66321	1C14	4	40 - 51	R77486	1C10	22	40 - 47
R32022	1C14	15	40 - 51	R67211	1A19	10	40 - 5	R77487	1C10	23	40 - 47
R32023	1C14	16	40 - 51	R67377	1B21	10	40 - 33	R77488	1C12	51	40 - 49
R32024	1C15	3	40 - 52	R69706	2I12	3	130 - 17	R77489	1C12	51	40 - 49
R32025	1C15	4	40 - 52	R70210	1C12	40	40 - 49	R77490	1C12	51	40 - 49
R32026	1C12	48	40 - 49	R70210	1C12	41	40 - 49	R77491	1C12	54	40 - 49
R32026	1C14	17	40 - 51	R70211	1C12	40	40 - 49	R77492	1C12	54	40 - 49
R32027	1C14	18	40 - 51	R70211	1C12	41	40 - 49	R77493	1C12	51	40 - 49
R32028	1C14	19	40 - 51	R70212	1A25	3	40 - 11	R77494	1C12	55	40 - 49
R32029	1C14	20	40 - 51	R70212	1C12	40	40 - 49	R77495	1C12	52	40 - 49
R33058	1H8	8	110 - 3	R70212	1C12	41	40 - 49	R77496	1C12	52	40 - 49
R33079	1H8	3	110 - 3	R70213	1C12	40	40 - 49	R77497	1C12	53	40 - 49
R33088	1H8	5	110 - 3	R70214	1C12	40	40 - 49	R77498	1C10	24	40 - 47
R35542	2J17	3	130 - 47	R70214	1C12	41	40 - 49	R77499	1C10	24	40 - 47
R35643	1H8	17	110 - 3	R70215	1C12	40	40 - 49	R77500	1C10	24	40 - 47
R36402	1C19	32	50 - 3	R70216	1C12	40	40 - 49	R77501	1C10	24	40 - 47
R36636	1E10	13	70 - 24	R70216	1C12	41	40 - 49	R77502	1C12	56	40 - 49
R375R	1E10	6	70 - 24	R70217	1C12	40	40 - 49	R77503	1C12	56	40 - 49
R38131	2D10	36	120 - 67	R70218	1C12	40	40 - 49	R78047	1B19	20	40 - 31
R39081	1H8	16	110 - 3	R70218	1C12	41	40 - 49	R78047	1C8	3	40 - 45
R39112	1E10	17	70 - 24	R70219	1C12	40	40 - 49	R78048	1B7	13	40 - 19
R39112	1F1	23	70 - 42	R70220	1C12	50	40 - 49	R78048	1B9	11	40 - 21
R39112	1F5	27	70 - 47	R70221	1C12	39	40 - 49	R78048	1B11	8	40 - 23
R42729	2F6	5	120 - 111	R70222	1C12	38	40 - 49	R78048	1B11	13	40 - 23
R43383	2C2	28	120 - 35	R71756	2D10	10	120 - 67	R78048	1B13	10	40 - 25
R43383	2C8	21	120 - 41	R71758	2D10	6	120 - 67	R78048	1B19	21	40 - 31
R44302	1A17	9	40 - 3	R73290	1H12	27	110 - 7	R78048	1B21	23	40 - 33
R44302	1B3	5	40 - 14	R77175	1D21	19	70 - 9	R78048	1B21	24	40 - 33
R44302	1C6	8	40 - 43	R77175	1F5	1	70 - 47	R78048	1C4	8	40 - 41
R44302	1D15	35	70 - 3	R77456	1C10	27	40 - 47	R78048	1C8	10	40 - 45

1L25

9501 PULL-TYPE COMBINE

NUMERICAL INDEX - CONTINUED

PART NO.	GRID	KEY	PAGE	PART NO.	GRID	KEY	PAGE	PART NO.	GRID	KEY	PAGE
R78049	1C8	15	40 - 45	TY9371	2B8	10	120 - 17	T77932	2G16	1	120 - 145
R78050	1C8	19	40 - 45	T16464	1A17	13	40 - 3	T77932	2G18	20	120 - 147
R78051	1B19	23	40 - 31	T16464	1C23	20	50 - 7	T78716	2G18	4	120 - 147
R78051	1C8	24	40 - 45	T16464	1C25	47	50 - 9	T80306	2G18	23	120 - 147
R78052	1B19	24	40 - 31	T16464	1D2	22	50 - 11	T81029	1F10	3	70 - 53
R78052	1C8	5	40 - 45	T16464	1D9	6	50 - 18	U10063	2D10	20	120 - 67
R78053	1B9	10	40 - 21	T16464	1D17	4	70 - 5	U10111	1F18	18	70 - 61
R78053	1B11	9	40 - 23	T16464	1D19	15	70 - 7	U12622	1H4	15	80 - 35
R78053	1B11	14	40 - 23	T16464	1E7	24	70 - 21	U14273	1C25	13	50 - 9
R78053	1B11	17	40 - 23	T16464	1F18	17	70 - 61	U14273	1H8	33	110 - 3
R78053	1B19	22	40 - 31	T16464	1H2	11	80 - 33	U14273	2D24	25	120 - 81
R78053	1B21	25	40 - 33	T16464	1H2	15	80 - 33	U15980	1E13	16	70 - 28
R78053	1C8	13	40 - 45	T16464	1H5	3	80 - 36	U15980	1E15	12	70 - 31
R78054	1C8	17	40 - 45	T20217	1H10	5	110 - 5	U15980	1E19	12	70 - 35
R78055	1C8	22	40 - 45	T20217	2D16	20	120 - 73	U15980	1E23	12	70 - 39
R78056	1C8	26	40 - 45	T22714	2D16	23	120 - 73	U15980	1F1	12	70 - 42
R78057	1B19	19	40 - 31	T25335	1C25	21	50 - 9	U40745	1E23	20	70 - 39
R78057	1B19	21	40 - 31	T25879	1C19	33	50 - 3	U40962	1E13	15	70 - 28
R78057	1B21	23	40 - 33	T26955	1A17	17	40 - 3	U40962	1E15	11	70 - 31
R78057	1C8	2	40 - 45	T26955	1B2	13	40 - 13	U40962	1E18	5	70 - 34
R78058	1B11	9	40 - 23	T26955	1B3	1	40 - 14	U40962	1E19	11	70 - 35
R78058	1B11	17	40 - 23	T27523	2G16	7	120 - 145	U40962	1E21	5	70 - 37
R78058	1B21	25	40 - 33	T28583	1C10	1	40 - 47	U40962	1E23	11	70 - 39
R78058	1C8	23	40 - 45	T28583	1C14	34	40 - 51	U40962	1E25	5	70 - 41
R78059	1B11	9	40 - 23	T28585	1C10	12	40 - 47	U40962	1F1	11	70 - 42
R78059	1B11	17	40 - 23	T28585	1C14	35	40 - 51	U40962	1F3	5	70 - 44
R78059	1C8	1	40 - 45	T28586	1C10	14	40 - 47	U42902	1E15	26	70 - 31
R78060	1B11	8	40 - 23	T32231	1B19	10	40 - 31	U42902	1E16	2	70 - 32
R78060	1B11	13	40 - 23	T34067	1C10	18	40 - 47	U46370	1C10	20	40 - 47
R78060	1B13	10	40 - 25	T37851	2I2	11	130 - 7	U46370	1C14	36	40 - 51
R78060	1B19	19	40 - 31	T38377	2E2	18	120 - 83	U46662	1C10	10	40 - 47
R78060	1B19	22	40 - 31	T43512	1H8	..	110 - 3	U46662	1C14	37	40 - 51
R78060	1B19	23	40 - 31	T43512	2D10	..	120 - 67	U46663	1C14	38	40 - 51
R78060	1B21	24	40 - 33	T44325	1D10	3	50 - 19	U46664	1C12	47	40 - 49
R78060	1C4	8	40 - 41	T47836	2D10	33	120 - 67	U46664	1C14	39	40 - 51
R78060	1C8	2	40 - 45	T55761	1H22	10	110 - 17	W13288	1F14	2	70 - 57
R78060	1C8	9	40 - 45	T62323	2G6	18	120 - 135	W23122	1C23	26	50 - 7
R78061	1B11	14	40 - 23	T72393	1D25	11	70 - 13	W23122	1C25	2	50 - 9
R78061	1B19	22	40 - 31	T74410	1B17	12	40 - 29	W39621	1I2	33	110 - 21
R78061	1B19	24	40 - 31	T76719	2E2	19	120 - 83	Z24604	2J15	19	130 - 45
R78061	1C8	6	40 - 45	T76938	1D25	21	70 - 13	Z33404	2F24	36	120 - 129
R78061	1C8	23	40 - 45	T76938	1E9	16	70 - 23	Z33404	2J22	6	130 - 53
R78062	1C8	1	40 - 45	T76938	2G14	9	120 - 143	Z5086H	2F10	38	120 - 115
R78063	1B9	10	40 - 21	T77613	1D15	11	70 - 3	Z9785H	1C21	4	50 - 5
R78063	1B11	9	40 - 23	T77613	1E12	4	70 - 27	124424	1H14	15	110 - 9
R78063	1B11	14	40 - 23	T77613	1F10	4	70 - 53	28316	1C17	3	50 - 1
R78063	1B11	17	40 - 23	T77613	1F12	8	70 - 55	32184	1H16	16	110 - 11
R78063	1B13	10	40 - 25	T77613	1F18	1	70 - 61				
R78063	1B19	22	40 - 31	T77613	1F18	3	70 - 61				
R78063	1B21	25	40 - 33	T77814	1E12	9	70 - 27				
R78063	1C8	1	40 - 45	T77857	1D15	12	70 - 3				
R78063	1C8	7	40 - 45	T77857	1D17	6	70 - 5				
R78064	1C8	27	40 - 45	T77857	1D19	9	70 - 7				
R80R	2D10	37	120 - 67	T77857	1D25	7	70 - 13				
R84261	2D10	11	120 - 67	T77857	1E3	3	70 - 17				
TY15130	1C25	..	50 - 9	T77857	1E7	21	70 - 21				
TY15130	1H8	..	110 - 3	T77857	2G16	4	120 - 145				
TY15130	2D10	..	120 - 67	T77857	2G18	5	120 - 147				
TY15130	2I12	..	130 - 17	T77858	1D25	3	70 - 13				
TY22326	2E20	4	120 - 101	T77858	1E9	12	70 - 23				
TY22329	2D24	11	120 - 81	T77858	1E10	14	70 - 24				
TY2615	2F22	21	120 - 127	T77858	2G14	1	120 - 143				
TY6304	2D10	..	120 - 67	T77858	2G16	15	120 - 145				
TY6305	2D10	..	120 - 67	T77932	1D15	13	70 - 3				
TY6333	2B16	..	120 - 25	T77932	1D17	3	70 - 5				
TY6333	2B18	..	120 - 27	T77932	1D19	12	70 - 7				
TY6333	2D10	..	120 - 67	T77932	1E9	3	70 - 23				